
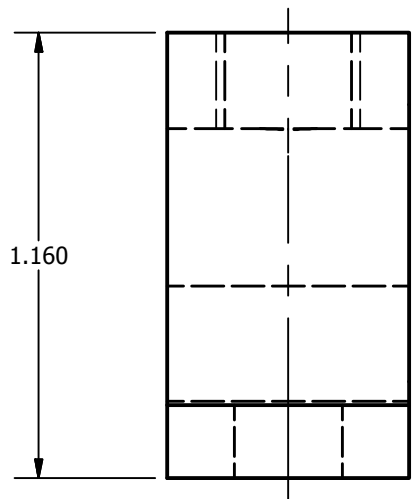
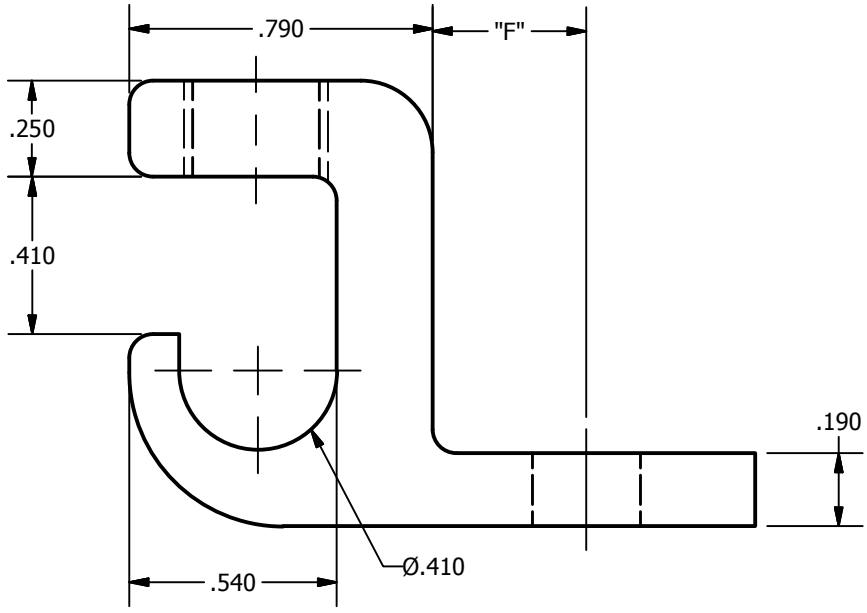
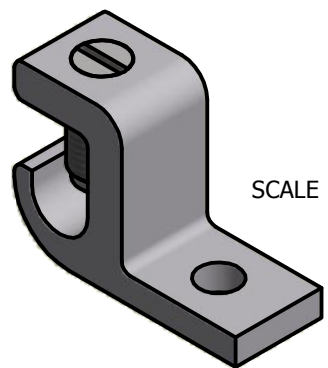
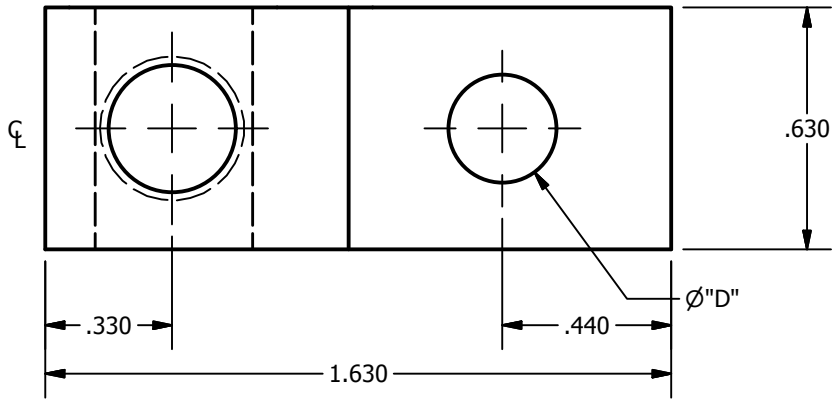


SCREW: SEE CHART
 CAT. NO.: SEE CHART
 INFORMATION SHEET: FORM 222

MATERIAL: ALUMINUM
 PLATING: EL-TIN
 MARKING: ILSCO, G937, 1/0-14, AL-CU 

REV: U
 DRAWN BY: CLH
 DATE: 7/19/2007

ILSCO
connections matter
 800-776-9775 www.ilsco.com
 DWG. NO. **G0937**
 SHEET: 1 OF 1



CAT #	"F"	"D"	SCREW
GBL-1/0SS, A00T	.400	.281	E0975C92Z
GBL-1/0, GBL-1/0-B2, A02T	.400	.281	E1556C00H
SGC-1/0, A01T	.313	.219	E0975C92Z
A03T	.313	.219	E1556C00H
A04T	.550	.281	E0975C92Z