


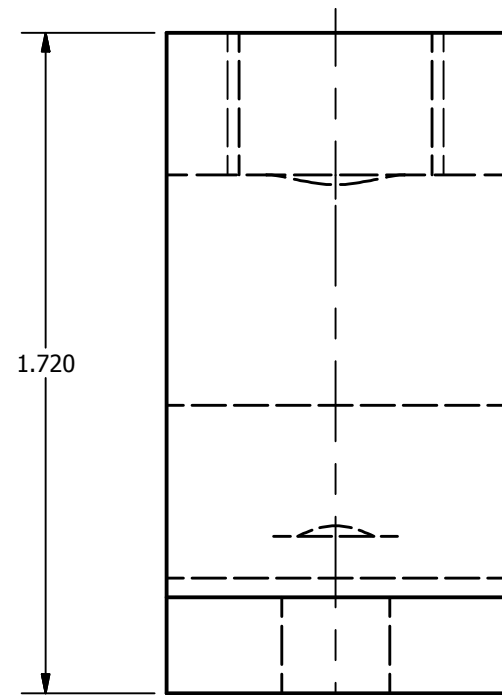
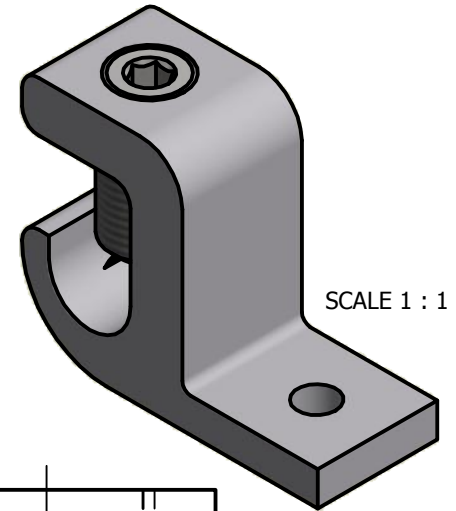
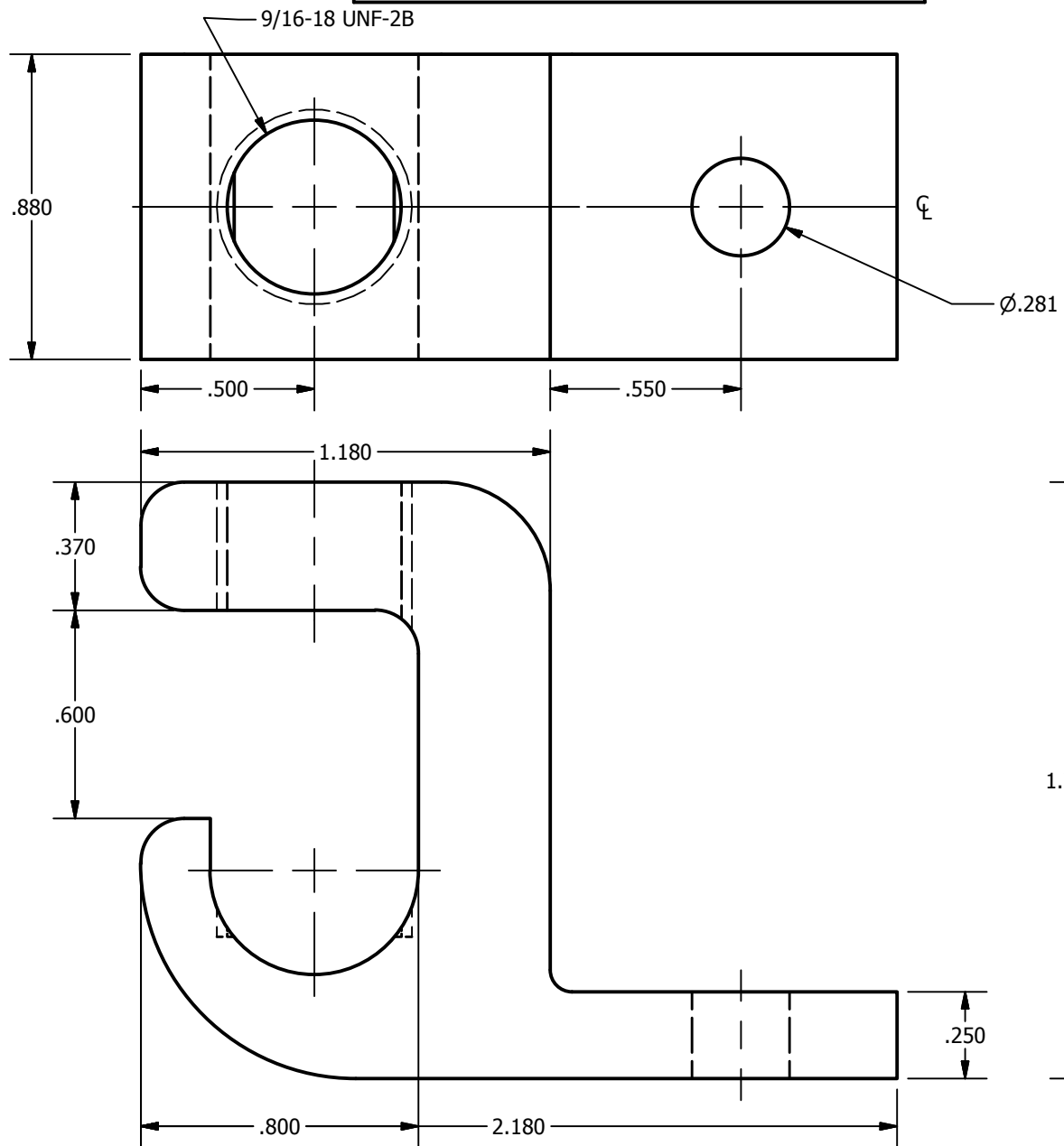
SCREW: SEE CHART
 CAT. NO.: SEE CHART
 INFORMATION SHEET: FORM 222

MATERIAL: ALUMINUM
 PLATING: EL-TIN
 MARKING: ILSCO, G938, 250kcmil-6, AL-CU 

REV: N
 DRAWN BY: CLH
 DATE: 7/19/2007

SCALE: 2:1
 SIZE: A

ILSCO
connections matter
 800-776-9775 www.ilsco.com
 DWG. NO. **G0938**
 SHEET: 1 OF 1



PART NUMBER	SCREW	CAT #
G0938A00T	E1015C92Z	NONE
G0938A02T	E1409C00H	GBL-250, GBL-250-B2