

# ORHB1-LED

LED Circular High Bay Series

Catalog Number:

Project Name:

Note:

Type:

up to 200 Wattage / 26000 Lumens



## APPLICATIONS:

The Oracle LED High Bay is designed to deliver high performance and efficiency for different applications such as warehouses, retail, walkways, roadways, campuses, facade lighting, grocery stores and other public areas.

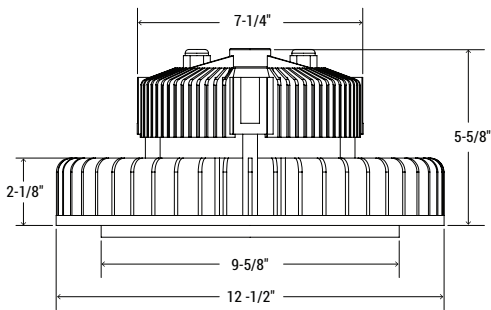
## FEATURES:

- Sealed die-casting profile for indoor and outdoor applications
- Efficacy with 130lm/w, designed to replace 400W MH while consumes 200W
- Optional integrated lens of either 90 or 120°
- Hook or Conduit pendant way for different applications
- ON/OFF or Bi-level sensor can be offered for maximizing energy savings
- Superior colour rendition index compared to HPS
- Resistant to shock and vibration
- UL wet location listed and DLC qualified

## LED LIGHT ENGINE:

LED light engine eliminates the need for a glass lens for maximum light output. Use of latest generation LEDs means more light from fewer LEDs, resulting in lower costs.

## DIMENSION:



## SPECIFICATIONS:

<b>LUMENS</b>	19000 / 26000 lumens
<b>WATTAGE</b>	150W / 200W
<b>CCT</b>	40K, 50K
<b>CRI</b>	80
<b>LIGHT EFFICIENCY</b>	130 lumens/watt
<b>DIMMING</b>	0-10V dimming standard
<b>VOLTAGE</b>	120-277 VAC
<b>POWER FREQUENCY</b>	50/60 Hz
<b>FINISH</b>	Black
<b>APPLICABLE ENVIRONMENT</b>	Dry/Damp/Wet location/IP65 Rating
<b>WORKING TEMPERATURE</b>	-40°F to 131°F (-40°C to 55°C)



Ordering Guide > Example: **ORHB1-LED-26000L-MVOLT-40K-WD-BK-ORHB1-ALR-ORHB1-CB**

SERIES	PERFORMANCE	VOLTAGE	CCT	BEAM ANGLE	FINISH	**REFLECTOR OPTIONS	*LENS ACCESSORIES	OPTION/ACCESSORY
ORHB1-LED	19000L - 19000 lumens 26000L - 26000 lumens	MVOLT - 120-277V	40K - 4000K 50K - 5000K	WD - 120° lens (standard)	BK - Black	ORHB1-ALR - Alum. Reflector ORHB1-ARM - Acrylic Milky ORHB1-ARC - Acrylic Clear	ORHB1-CB - Conical Bottom ORHB1-PD - Prismatic Drop	MS - Motion Sensor ORB1-BRK - Pole bracket
						**For 90° lens Medium Distribution (MD) - is available with any reflectors	*Lens accessories only for Acrylic reflectors	



Submittal form is available @ [www.oraclelighting.com](http://www.oraclelighting.com)  
Tel: 323-888-1973 • Fax: 323-888-1977

Specifications and Dimensions subject to change without notice.

Issued-H2418-Rev. 2

# ORHB1-LED

LED Circular High Bay Series

Catalog Number:

Project Name:

Note:

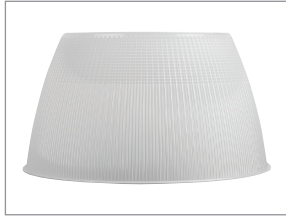
Type:

up to 200 Wattage / 26000 Lumens

## REFLECTORS:



ORHB1-ALR  
Aluminum Reflector



ORHB1-ARM  
Acrylic Milky Reflector



ORHB1-ARC  
Acrylic Clear Reflector

## LENS ACCESSORIES:



ORHB1-CB  
Conical Bottom lens



ORHB1-PD  
Prismatic Drop lens

## MOUNTING:



Hook Mount (included)  
Hook mount is easy to install  
and offer one ant-off screw



7-1/2' power cord and  
0-10V dimming cord comes  
standard



Safety cable (included)

## ACCESSORY:

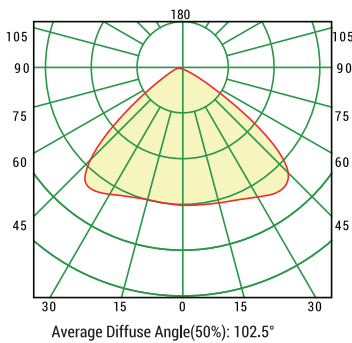


ORHB1-BRK  
LED circular High Bay pole mount bracket

## PHOTOMETRY:

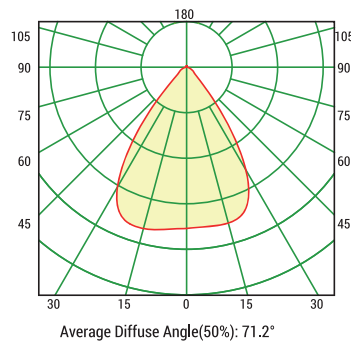
### 120 Degree lens

Luminous Intensity Distribution Curve



### 90 Degree lens

Luminous Intensity Distribution Curve



B	U	G
4	2	2