

SIEMENS

Ingenuity for life



Lighting Panelboards Replacement Parts Guide

P1, P2, P3, C1, C2, S1, S2 and SE products included. Information for enclosures, fronts, interiors, accessories and other miscellaneous parts included.

usa.siemens.com/panelboards

This new generation of products from Siemens offers the high level of engineering and innovation you've come to expect from the leader in power distribution technology. The "P Series" line of panelboards offers a stepped approach to power distribution.

This Document is intended to cover most Lighting Panel Products currently in Production and some legacy products no longer produced. (S1, S2 and SE Legacy products have limited support).

Products included: P1, P2, P3, C1, C2, S1, S2, SE

Products not included: i3 - related products and P4-P5 Power Panels

Disclaimer:

Products and Part numbers included in this Document are subject to change or revision over time. Some parts or products may not be available for sale directly in iMall or COMPAS. Customer Support may need to be contacted for special situations and/or discontinued product.

Table of contents

 Introduction	2-4
 Enclosures	5-12
 Fronts	13-16
 Interiors	17-19
 Recommended Spare Parts Kits for Customers	20-22
 Addendum	
Kits for Current Product	23-29
Kits for Legacy Products	30-32
 Addendum A - P1/P2/P3 - Interior Steel, Deadfront Supports, Base Rails, DF Side Rails	33-42
 Addendum B	
Kits for revised P1 and Original P1	43-70
Part 2: Kits for Original P1 Only	71-92
 Addendum C - P2/P3 Strap kits and related parts	93-111



History of panelboard types

Panel type	Last made	Description	Branch Devices/Breaker Frame Type ¹⁾	Hardware kits available	Breakers Available
P1 (revised)	— 2)	P1 Panel Revised Interior 600VAC Max/400A Mains/125A Max Br/250A Subfeed. Up to 66 circuits, Feed-thru and Non Feed-thru available	Branches: BL, BQD, xGB Subfeed: ED2, ED4, ED6, HED4, HHED6, QJ2, FXD6, HFD6, xGB 125A max	MCB, MLO & Subfeed	Y
P1 (original) (repl S1& S2)	2015	Original P1 Panel 480V/277V Max/400A Mains/100A Max Br/250 Subfeed	Branches: BL, BQD, xGB Subfeed: ED2, ED4, ED6, HED4, HHED6, QJ2, FXD6, HFD6	MCB, MLO & Subfeed	Y
P2 (repl S3)	— 2)	P2 Panel 600VAC Max/600A Mains / 225A Max Br/ 400A Subfeed	Branches: BL, BQD, ED2, ED4, ED6, HED4, HHED6, QJ2, xGB, GB2	MCB, MLO	Y
P3	— 2)	P3 Panel 600VAC Max/600A MCB/800A MLO/22A Br/400A Subfeed	Branches: BL, BQD, xGB, GB2, 3Vax2, ED2, ED4, HED4, HHED6, QJ2,	MCB, MLO	Y
P4 (repl S4/F1)	— 2)	P4 Panel 600VAC Max / 400-800A MCB/ 400-1200A MLO / 100-200A Main Fus Sw / 800A Br CB / 200A Br Fus Sw	Branch CBs: BL, BQD, xGB, GB2, 3Vax2, ED2, ED4, ED6, HED4, HHED6, CED6, QJ2 frame, F(X)D6, (H) HF(X)D6, CFD6, J(X)D6, S(H)JD6, (H)HJ(X)D6, (S) CJD6, L(X)D6, S(H)LD6, (H)HL(X)D6, (S)CLD6, LM(X)D6 Branch Fus Sw: 30A to 200A	Y	Y
P5 (repl S5/F2)	— 2)	P5 Panel 600VAC Max / 800-1200A MCB/ 800-1200A MLO / 400-1200A Main Fus Sw / 1200A Br CB / 1200A Br Fus Sw	Branch CBs: BL, BQD, xGB, GB2, 3Vax2, ED2, ED4, ED6, HED4, HHED6, CED6, QJ2 frame, F(X)D6, (H) HF(X)D6, CFD6, J(X)D6, S(H)JD6, (H)HJ(X)D6, (S)CJD6, L(X)D6, S(H)LD6, (H)HJ(X)D6m (S)CJD6, L(X)D6, S(H)LD6, (H)HL(X)D6, (S)CLD6, LM(X)D6, (H)MD6, MXD6, MXD6, S(H)MD6, (S)CMD6, (H) ND6, NXD6, S(H)ND6, (S)CND6 Branch Fus Sw: @240V: 30A to 600A @600V: 30A to 1200A	Y	Y
C1	— 2)	C1 Column Panel 240V/250A Mains /100A Max Branch	BL, BQCH, BQD	N	Y
C2	— 2)	C2 Column Panel 480V/277V only / 250A Mains /100A Max Branch	BQCH, BQD	N	Y
CDP	1975	600V Convertible Power Panel 1200A Mains / 800A Max Branch	E, EH, EF, FJ, JK, JKL, KM	N	N
CDP-4	1980	CDP-4 Power Panel 600A Mains / 600V Max/ 225A Max Branch	E, EH, EF, FJ*, JL*, HJ*, JJ*, JL* (only 1 per panel)	N	N
CDP-5	1980	CDP-5 Power Panel 1200A Mains / 600V Main / 1200A Max Branch	EQ-8, HB, CC, E, EH, HE, CE, QJ, FJ, JH, HJ, CJ, JJ, LL, HL, KM, HK, KP	if made after 1974	with addition of new straps
CDP-6	1990	CDP-6 Power Panel 1200A Mains / 600V Max / 1200A Max Branch	BQ, CC, E2, E4, E6, HE4, EH(150A), QJ, FJ, JD, JJ, JL, HJ, CJ, LL, HL, KM, SKM, KP, SKP, HK, SHF	if made after 1974	with addition of new straps
CDP-7	1992	CDP-7 Panelboard 800A Mains / 600V Max / 225A Max Branch (Catalog # system started in 1990)	BQ, E2, E4, E6, EH(150A), QJ, FJ, JL, HJ, LL, HL, KM, HK	N	Y
F1 (old FPP)	2003	Power panel 600V Max / 200A Main Sw/1200A MLO / 200A Branch	VB Switches Max. 600V-200A	Y	Y
F2 (old FPP)	2003	Power panel 600V Max / 1200A Fus Sw Mains /600A Max Branch	VB Switches Max. 600V-600A	Y	Y
FPP	1992	Power Panel 600V Max / 1200A Fus Sw Mains / 1200A Max Branch	VB Switches and breakers available for SPP branches	2	Y
LPB	1982	LPB-3 and LPB-4 Bolt-on Panelboard (unassembled) 240V	EQ-B (BQ breakers)	N	Y
LPP	1982	LPP-3 and LPP-4 Plug-in Panelboard (unassembled) 240V	EQ-P (Q breakers)	N	Y
NAB	1975	NAB-3 and NAB-4 (factory assembled) 240VAC max	E	N	N
NDP	1971	240V Power Panel 600A Mains / 100A Max Branch	E	N	N
NHB	1975	NHB-4 (factory assembled) 277/480V 3PAW	EH	N	N
NHB-X	1992	NHB-4**X Column Width (factory assembled) 277/480V 3PAW	EH	N	N
NHCB	1975	NHCB-4 Energy Limiting Panelboard 220A Mains/30A Max Branch	CC-Cordonet	N	N
NHDP	1971	480V Power Panel 400A Mains / 100A Max Branch	EH	N	N
NLA	1871	NLA-3 and NLA-4 (unassembled) Bolt-on	EQ-B (BQ breakers)	N	Y
NLAB	1975	NLAB-3 and NLAB-4 (Factory assembled)	EQ-B (BQ breakers)	N	Y
NLAX-X	1992	Bolt-on Narrow (Column) Width Panelboards	EQ-B (BQ breakers)	N	Y
NP, NPB	1971	Pushmatic Narrow (Column) Width Panelboards	Pushmatic	N	Some
NPA	1971	NPA-3 and NPA-4 (unassembled) Plug-in	EQ-P (Q breakers)	N	Y
NPAB	1975	NPAB-3 and NPAB-4 (factory assembled)	EQ-P (Q breakers)	N	Y
NPAB-X	1980	Plug-in Narrow (Column) Width Panelboards	EQ-P (Q breakers)	N	Y
NTC	1975	Fusible Panelboard 200A Mains / 240V Max / 30A Branches	Tumbler Switch and cartridge fuse combo	N	N
NTP	1975	Fusible Panelboard 200A Mains / 240V Max / 30A Branches	Tumbler Switch and plug fuse combo	N	N
PD, P2, P3	1971	Pushmatic Panelboards (unassembled)	Pushmatic	N	Some
PDB, P2B, P3B	1971	Pushmatic Panelboards (factory assembled)	Pushmatic	N	Some
S1	2001	240V Panelboard 250A Mains / 250A Max Branch	Branch Type: BL Subfeed Type: QJ2, ED2, ED4, F(X)D6	MCB, MLO & Subfeed	Y
S2	2001	480Y/277V 3P4W Panelboard 250A Mains/ 250A Max Branch	Branch Type: BQCH (now BQD) Subfeed Type: ED4, ED6, F(X)D6	MCB, MLO & Subfeed	Y
S3 (repl CDP7)	2003	600V Panelboard 600A Mains / 400A Max Branch	Made to customer specifications: Branches: BL, ED2, ED4, ED6, BQDH (BQD), CED6, QJ2, F(X)D6, CFD6, JXD2, J(X)D6, SJD6, CJD6, CLD6, SLD6 Subfeeds: FXD6, JXD2, J(X)D6	N	Y

1) The breakers used in many panels changed as the breaker product line changed. (Ex. E frame changed to E2 frame, the to ED2).

2) Still in production.

Enclosures

NEMA Type 1

Primarily indoor use: Box and front needed for complete enclosure.



NEMA Type 3R

Outdoor use primarily to provide a degree of protection against rain, sleet, and damage from external ice formation.



NEMA Type 12 (Siemens 3R/12)

These enclosures for Lighting Panels are useable as Type 12 or Type 3R by adding the gasket shown around the door.



(Siemens 3R/12 panelboard products meet this requirement)

NEMA Type 4 or 4X

Indoor or outdoor use primarily to provide a degree of protection against splashing water, corrosion, windblown dust and rain, hose-directed water, and damage from external ice formation.



Note: NEMA Type 4 is painted steel. NEMA Type 4X is typically stainless or non-metallic.

P1, P2, P3 panelboard standard Type 1 enclosure

Features:	Typical Standard P1 and P2 Type 1 enclosures are 20"W and 5.75"D - 16 GA A60 Galvanized steel or equivalent UL approved construction - Endwalls are blank as standard - Endwalls with Knockouts are available	Options - Painted enclosures [ANSI 61 gray] - 24" wide enclosures - 7.75" deep enclosure - 24" wide and 7.75" deep
	Typical Standard P3 Type 1 enclosures are 24"W and 7.75"D	Options - Painted enclosures [ANSI 61 gray]

Note: Contact customer support for special colors (RAL # required.)

Box Height Inches	P2 and P3 Catalog Number								
	Type 1 Standard Enclosure								
	Standard P1/P2 Galvanized 20" W	Option P1/P2, Painted 20" W	Option P1/P2, Galvanized w/ KOs 20" W	Option P1/P2, Galvanized 20" W	Option P1/P2, Painted 20" W	Option P1/P2, Galvanized 24" W	Option P1/P2, Painted 24" W	Standard P3, Option P1/P2, Galvanized 24" W	Standard P3, Option P1/P2, Painted 24" W
5.75" Depth	5.75" Depth	5.75" Depth	7.75" Depth	7.75" Depth	5.75" Depth	5.75" Depth	7.75" Depth	7.75" Depth	
26	B26	B26P	B26K	Ref BD26 ¹⁾	Ref BD26P ¹⁾	24B26	24B26P	N/A	N/A
32	B32	B32P	B32K	BD32	BD32P	24B32	24B32P	24BD32 ²⁾	24BD32P ²⁾
38	B38	B38P	B38K	BD38	BD38P	24B38	24B38P	24BD38 ²⁾	24BD38P ²⁾
44	B44	B44P	B44K	BD44	BD44P	24B44	24B44P	24BD44 ²⁾	24BD44P ²⁾
50	B50	B50P	B50K	BD50	BD50P	24B50	24B50P	24BD50 ²⁾	24BD50P ²⁾
56	B56	B56P	B56K	BD56	BD56P	24B56	24B56P	24BD56 ^{2) 3)}	24BD56P ^{2) 3)}
68	B68	B68P	B68K	BD68	BD68P	24B68	24B68P	24BD68 ^{2) 3)}	24BD68P ^{2) 3)}
74	B74	B74P	B74K	BD74	BD74P	24B74	24B74P	24BD74 ^{2) 3)}	24BD74P ^{2) 3)}
80	N/A	N/A	N/A	N/A	N/A	N/A	N/A	24BD80 ³⁾	Ref 24BD80P ^{1) 3)}

1) Custom order in COMPAS

2) P1/P2 only with adaptor (Contact Customer Service)

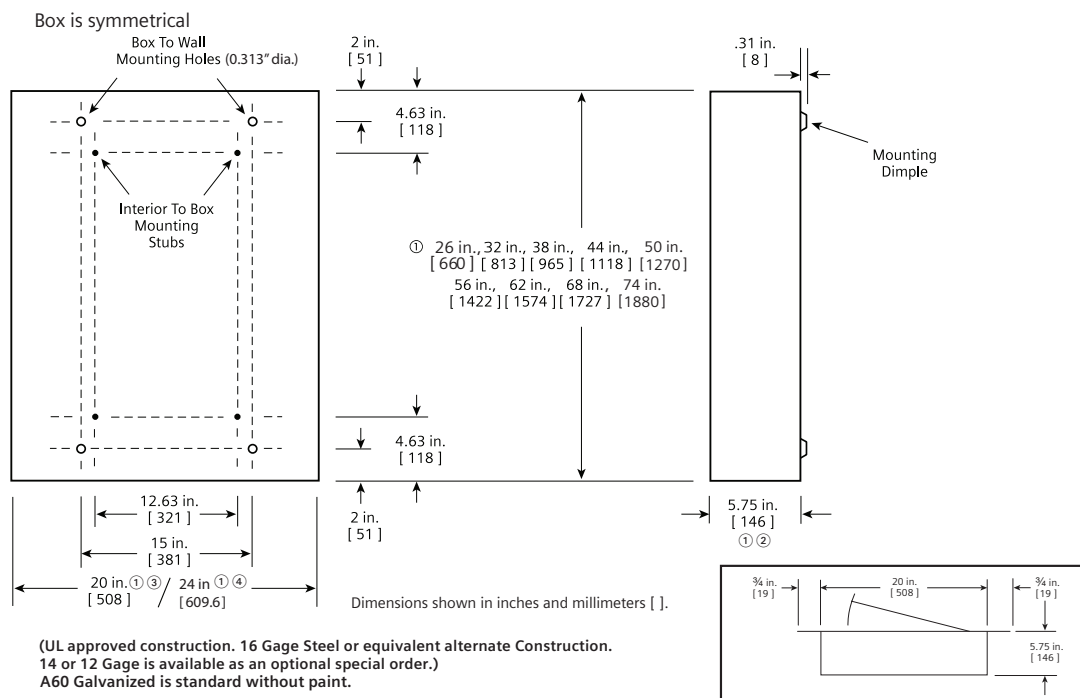
3) P3

*24BD Series replace 24WD series

*For parts without catalog numbers yet, please contact Customer Service for ordering information.

For further information on P1, P2, and P3 lighting panels, please refer to: <http://w3.usa.siemens.com/powerdistribution/us/en/resources/Pages/DownloadCenter.aspx>

Type 1 Box



① Dimensions are interior of the box. Add 5/8" to overall depth for absolute dimension. Add 1/8" to height and width for absolute dimension.

② Optional 7.75 in. [197].

③ Dimension is for P1 and P2.

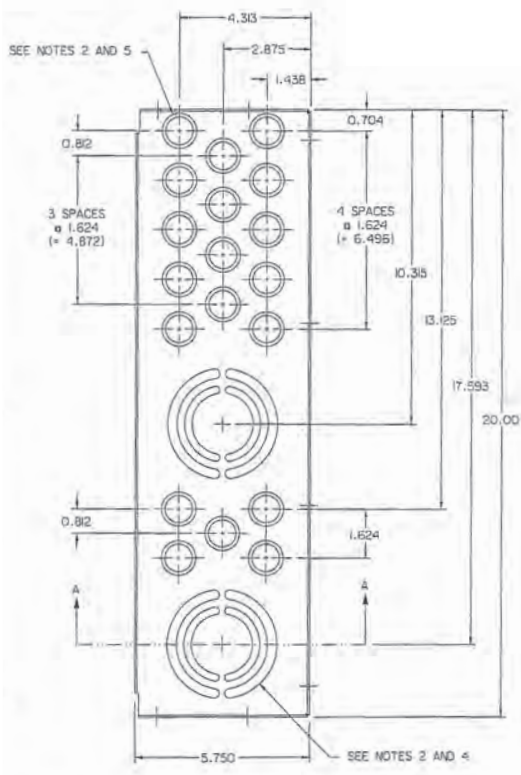
④ Dimension is for P3.

Miscellaneous parts and accessories-enclosures

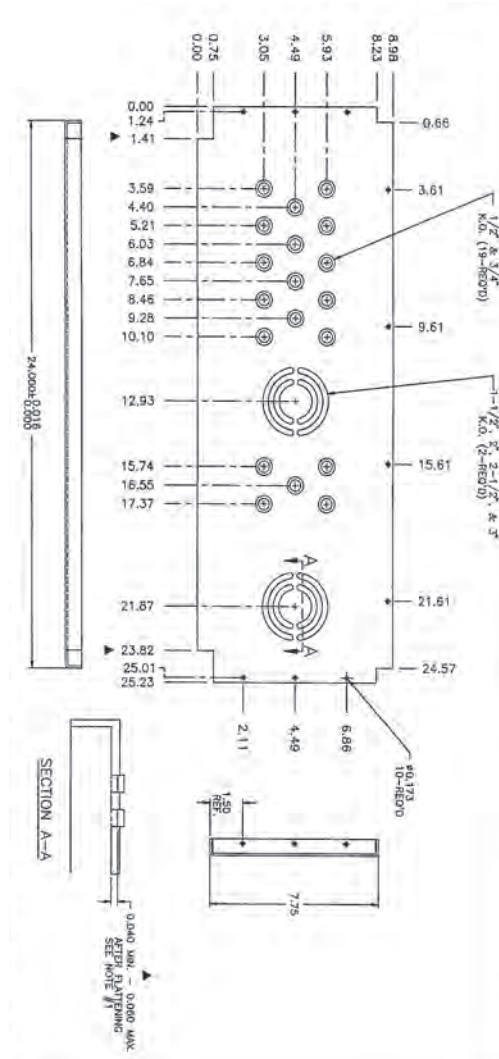
Catalog Number	Description	Comments
EWK1	End Wall Kit with Knockouts (20"W x 5.75" DP)	Type 1 Only
EWK2	End Wall Kit with Knockouts (24"W x 7.75" DP)	Type 1 Only
EWK1B	End Wall Kit without Knockouts (20" W x 5.75" DP)	Type 1 Only
EWK2B	End Wall Kit without Knockouts (24" W x 7.75" DP)	Type 1 Only
IMK1	Interior Adjusting Kit	Type 1, 3R, 3R/12
LPJSPDNUT01	J-Type Speed Nut for Lighting Panel Fronts	25 pieces per kit

For further information regarding these parts, please follow the below to the literature section tab under lighting panels. usa.siemens.com/panelboards

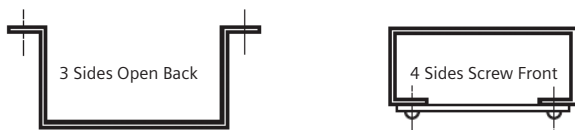
EWK1 End Wall w/KOs (20"W X 5.75"D)



EWK2 End Wall w/KOs (20"W X 5.75"D)



Panel Skirts Standard Length



8, 9, 10, 11, 12, 14, 17, 18, 23, 24, 25, 25, 27, 28, 29, 30, 31, 32, 33, 34, 35, 36, 37, 38, 39, 40, 41, 42, 43, 44

Notes:

- A) 4-sided skirts have standard Part Numbers (not catalog numbers).
- B) 3-sided skirts are ordered as Custom in COMPAS
- C) Order in COMPAS with interior when possible.
- D) If ordered separate from interior, use a manual line in COMPAS.
- E) Must note if Top Entry or Bottom Entry required.

B74FLR Enclosures and (related bottom covers)

The enclosure to the right shows two mounting studs at the top which are used for all sizes of P1/P2 panels that fit 20" wide x 5.75" deep enclosures. There are two studs at the bottom for mounting a 74" interior (Note: Interior sizes reference the standard enclosure size needed for the interior and front). The 74" can fits the 74" interior and front without any additional covers. As interiors get shorter in six-inch increments, lower covers are needed to fill the space below the interior and standard front. Mounting holes and hardware are provided for attaching the bottom of the base rails. Example: A 44" interior is 30" shorter than a 74" enclosure so it will need a 30" lower cover. Pick Surface or Flush to match the front.

Fronts available

- Standard FasLatch Front
- Screw-to-box front (standard & piano hinge)
- Hinge-to-box front (standard & piano hinge)
- Door-to-door front (standard & piano hinge)

Note: Although stainless steel piano hinge fronts are available, stainless steel lower covers are NOT available at this time.

Special endwall retrofit kit: EWK3

This kit includes the "open" endwall that can be used to replace a standard endwall in any 20" wide x 5.75" deep enclosure if needed for special mounting situations. Contractor is responsible to seal and secure per local/national codes.

This B74FLR enclosure is UL Listed as an Electric Cabinet Box and when additional gutter space is available (beyond the required minimum enclosure size required by the panel interior), this additional gutter space is considered part of the enclosure and does not require special wiring rules that apply to a "wire way". It is not a panel skirt; although in some cases it can be used in place of an enclosure plus a panel skirt when installed per local and national codes. Think of this as you would a "Switchboard Enclosure" resting on the floor – similar wiring rules should apply to the open bottom.

Quick & Easy Installation Features

This "universal fit" enclosure is capable of sitting on the floor or over the conduit, eliminating the need to extend conduit or cut knockouts. If installed correctly, there will be no need for a panel skirt. This enclosure includes two bottom endwalls: a standard and a special endwall with a cutout. The standard endwall is mounted at the bottom as usual, and the special endwall is mounted above it with two screws. By removing the standard endwall and moving the special endwall to the lower position, the enclosure can be mounted around conduit stubbed up from the floor.*

Any size P1 or P2 interior from 26" to 74" can fit in this 20" wide enclosure with the proper lower cover installed. See chart on the right for part numbers. The bottom section of the enclosure left open by all fronts (except the 74" front) will require a special lower cover installation. These are available in both surface and flush variations in six-inch increments from 6"- 48" height, to match the front "void" sizes. The chart to the right shows which lower covers are available for the interior selected.

Contractor Labor Savings

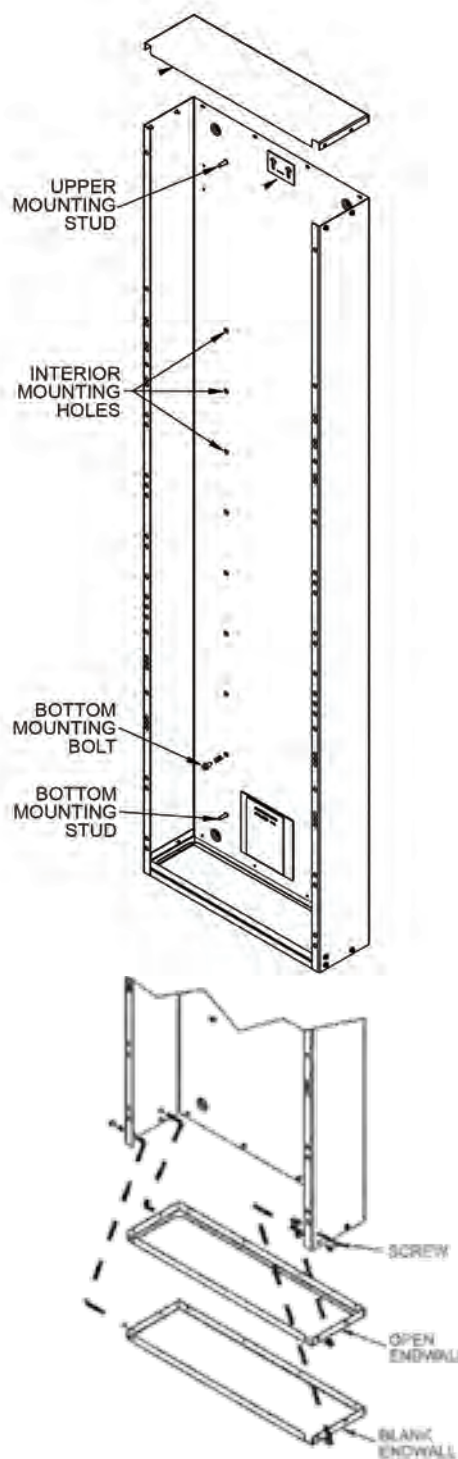
When installed to code, the labor to cut knockouts and extend conduit to the bottom endwall is eliminated.

Instruction Sheets:

- Enclosure: B74FLR Instructions
- Lower Cover: BXXCVR Instructions
- Endwall Kit: EWK3 Instructions

Instruction sheets can be found at usa.siemens.com/panelboards

*Contractor is required to seal and install as required per local/national codes.



Standard Box Size	Standard Front Size	Required Lower Cover			
		Flush Mounted		Surface Mounted	
26" x 20"	26"	48"	BXXCVR48F	48"	BXXCVR48S
32" x 20"	32"	42"	BXXCVR42F	42"	BXXCVR42S
38" x 20"	38"	36"	BXXCVR36F	36"	BXXCVR36S
44" x 20"	44"	30"	BXXCVR30F	30"	BXXCVR30S
50" x 20"	50"	24"	BXXCVR24F	24"	BXXCVR24S
56" x 20"	56"	18"	BXXCVR18F	18"	BXXCVR18S
62" x 20"	62"	12"	BXXCVR12F	12"	BXXCVR12S
68" x 20"	68"	6"	BXXCVR06F	6"	BXXCVR06S
74" x 20"	74"	0"	None Required	0"	None Required

Lighting panel ground bus information: P1-P2-P3

Catalog Number	Description	Comments
EGK	Al Ground Bus 44 Connections	Type 1, 3R, 3R/12
ECGK	Cu Ground Bus 44 Connections	Type 1, 3R, 3R/12
IGK	Insulated Al Ground Bus	Type 1, 3R, 3R/12
ICGK	Insulated Cu Ground Bus	Type 1, 3R, 3R/12

Wire size range of the EGK/ECGK/IGK/ICGK lug connections/holes:

(Note: The multiple combinations typically only apply when used as an equipment ground. If similar bar is used as a neutral bar, only one wire can be used in each hole.)

- 1. Connection count: (6) of #14-1/0 and (15) of #14-6 Connections (21 Holes total).**
(note: one Connection may be needed for incoming Ground Connection)
- 2. The Maximum wire size the standard ground accepts is:** 1/0 in the Large Holes and #6 in the Smaller Holes.
- 3. Small Hole can accept:** (1-2 wires) #14-12; (1 wire) #10; (1 wire) #8-#6.
- 4. The Large Hole can accept:** (1-3 wires) #14-#10; (1 wire) #8; (1 wire) #6 - #4; (1 wire) #3-1/0.
- 5. Max. connections if largest wire size is used:** $(6 \times 1) + (15 \times 1) = 21$
- 6. Max. connections if smallest wire size is used:** $(6 \times 3) + (15 \times 2) = 48$
- 7. Request for Ground Lug greater than 1/0 in Size requires a Special Modification in COMPAS when Line Item is entered**
(specify number of connections needed greater than 1/0) or Manual Line for Custom Ground (specify number of connections needed greater than 1/0).

EGK / ECGK / IGK / ICGK Installation Instructions:

Ground bus to be mounted in either left or right gutter with hardware provided. Applied torque ratings shall be 45-lbs-inch for three No. 10 AWG solid copper conductors in the large holes. For all other combinations of conductors, refer to the torque rating label on the panelboard. Note: For IGK / ICGK, insure ground bar is attached to Glastic insulator with two screws before mounting insulator to enclosure. Ground Bar mounts thru side holes oriented as shown on picture below.

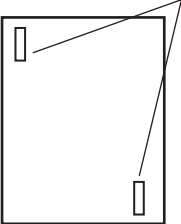
This chart is on labels for P1, P2 and P3 enclosures.

USE SIEMENS EQUIPMENT GROUND BUS
TYPES EGK, IGK, ECGK, ICGK

Torque required to secure wire sizes listed below:

Small Terminal		Large Terminal	
(1-2 Wires)-#14-#12	20 lb-in	(1-3 Wires)-#14-#10	35 lb-in
(1 Wire)-#10	20 lb-in	(1 Wire)-#8	40 lb-in
(1 Wire)-#8-#6	30 lb-in	(1 Wire)-#6-#16	45 lb-in
		(1 Wire)-#3-1/0	50 lb-in

Grd. bus location



Type 1, 3R and 3R/12 Enclosure

EGK / ECGK kit parts:



IGK / ICGK kit parts:



P1, P2, P3 panelboard standard Type 3R and 3R/12 enclosures

Type 3R/12 enclosures meet both NEMA 3R and NEMA 12 requirements

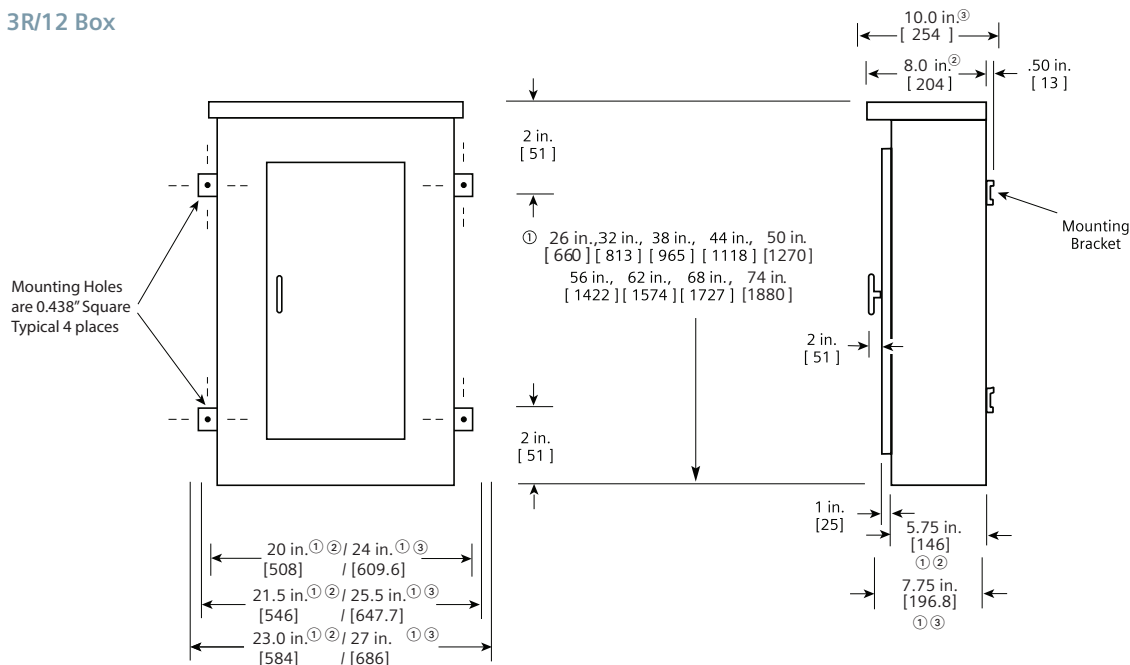
Features:	Typical Standard NEMA Type 3R and 3R/12 Enclosure	Options
	- P1 and P2 are 20"W x 5.75"D (min interior dimensions) - P3 is 24"W x 7.75"D (min. interior dimensions) - 16 GA Steel can with 14 GA steel door or similar UL approved construction - Standard is A60 galvanized ANSI 61 gray paint	- Custom paint available Note 3R and 3R/12 are same steel enclosure. 3R/12 has gasketing added at factory. Note Siemens 3R/12 meets NEMA Type 12 specifications

Note: Contact customer support for special colors (RAL # required.)

Box Height Inches	P1/P2 Catalog Number			P1/P2 Catalog Number			P3 Catalog Number	P3 Catalog Number
	Type 3R Standard Enclosure			Type 3R/12 Standard Enclosure			Type 3R Standard Enclosure	Type 3R/12 Standard Enclosure
	Galvanized 20" W	Galvanized 20" W	Galvanized 24" W	Galvanized 20" W	Galvanized 20" W	Galvanized 24" W	Galvanized 24" W	Galvanized 24" W
	5.75" Depth	7.75" Depth	5.75" Depth	5.75" Depth	7.75" Depth	5.75" Depth	7.75" Depth	7.75" Depth
26	NR26	Ref NRD26 1)	24NR26	WP26	Ref WPD26 1)	24WP26	N/A	N/A
32	NR32	NRD32	24NR32	WP32	WPD32	24WP32	N/A	N/A
38	NR38	NRD38	24NR38	WP38	WPD38	24WP38	N/A	N/A
44	NR44	NRD44	24NR44	WP44	WPD44	24WP44	N/A	N/A
50	NR50	NRD50	24NR50	WP50	WPD50	24WP50	N/A	N/A
56	NR56	NRD56	24NR56	WP56	WPD56	24WP56	24NRD56	24WPD56
62	NR62	NRD62	24NR62	WP62	WPD62	24WP62	24NRD62	24WPD62
68	NR68	NRD68	24NR68	WP68	WPD68	24WP68	24NRD68	24WPD68
74	NR74	NRD74	24NR74	WP74	WPD74	24WP74	24NRD74	24WPD74
80	N/A	N/A	N/A	N/A	N/A	N/A	24NRD80	24WPD80

1) Custom order in COMPAS.

Type 3R and 3R/12 Box



(UL approved construction. 16 Gage Steel Can with 14 Gage front or similar approved construction.)
 A60 Galvanized is standard without paint.

- ① Dimensions are interior of the box. Add 5/8" to width for absolute dimension. Add 1/8" to height for absolute dimension.
- ② Dimensions are for P1 and P2. (P1/P2 24" W x 7.75" D is special - contact factory)
- ③ Dimensions are for P3.

P1/P2 NEMA 4 and NEMA 4X non-metallic enclosures

NEMA Type 4 enclosures below are special order and are larger than typical enclosure size needed. NEMA 4X enclosures are more appropriately sized.

NEMA 4

Ref. Type 1 Enclosure Height Inches	Actual Box Height Inches	P1 / P2 Catalog Number			
		24" W	30" W	36" W	36" W
		8" Depth	8" Depth	8" Depth	10" Depth
26*	30	Custom A36H24BLP* 1)	–	–	–
32	36	Custom A36H24BLP 1)	–	–	–
38	42	–	Custom A42H30BLP 1)	–	–
44	48	–	–	Custom A48H36BLP 1)	–
50, 56	60	–	–	–	Custom A60H36CLP 1)

Note that the parts listed in this table are buyout items; long lead times are associated with them. Must be entered as manual line in COMPAS.

1) Custom order in COMPAS.

*Type 4 26" height enclosures will be adjusted at the plant to use the 32" enclosure

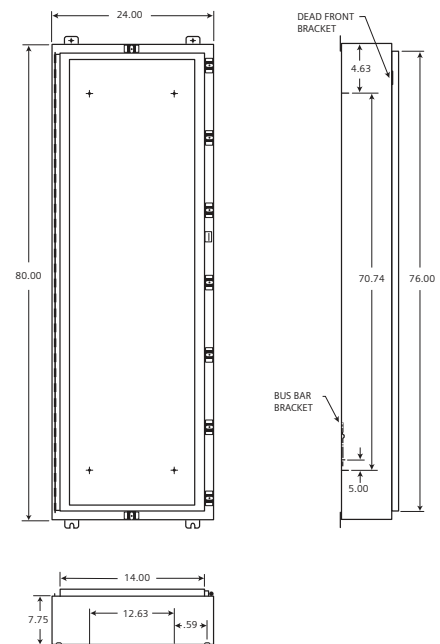
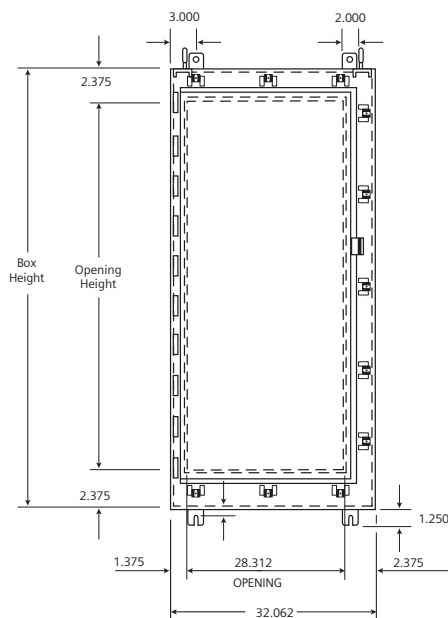
NEMA 4X

Box Height Inches	P1 / P2 / P3 Catalog Number			
	304 SS Enclosure		316 SS Enclosure	
	20" W – P1 / P2	24" W – P3	20" W – P1 / P2	24" W – P3
	5.75" Depth	7.75" Depth	5.75" Depth	7.75" Depth
26	B4X26	N/A	Ref A6X30103883 1)	N/A
32	B4X32	N/A	Ref A6X30065588 1)	N/A
38	B4X38	N/A	Ref A6X30065589 1)	N/A
44	B4X44	N/A	Ref A6X30069448 1)	N/A
50	B4X50	N/A	Ref A6X30100668 1)	N/A
56	B4X56	24BD4X56 2)	Ref A6X30100669 1)	N/A
62	B4X62	24BD4X62 2)	N/A	Ref A6X30075982 1) 2)
68	B4X68	24BD4X68 2)	Ref A6X30100670 1)	Ref A6X30075983 1) 2)
74	B4X74	24BD4X74 2)	Ref A6X30100701 1)	Ref A6X30075984 1) 2)
80	N/A	24BD4X80 2)	N/A	Ref A6X30069449 1) 2)

1) Custom order in COMPAS

2) Interface with the Deadfront is for P3 only, will not work with P1/P2

NEMA 4X Stainless Enclosures (Hasp for padlock included)



NEMA 4X enclosures (continued)

NEMA 4X Non-Metallic Enclosures (Limited sizes are available)

Ref. Type 1 Enclosure Height Inches	Actual Box Height Inches	AxBxC Reference Inches	Catalog Number		
			24" W - P1 / P2	30" W - P1 / P2	36" W - P1 / P2 / P3
26	30	30.25 x 30.25 x 8.00	Custom A30H2408GQRLP 1)	-	-
32	36	36.25 x 30.25 x 8.00	-	Custom A36H3008GQRLP 1)	-
38, 44	48	48.25 x 36.25 x 12.00	-	-	Custom A48H3612GQRLP 1)
50, 56	60	60.25 x 36.25 x 12.00	-	-	Custom A60H3612GQRLP 1) 2)

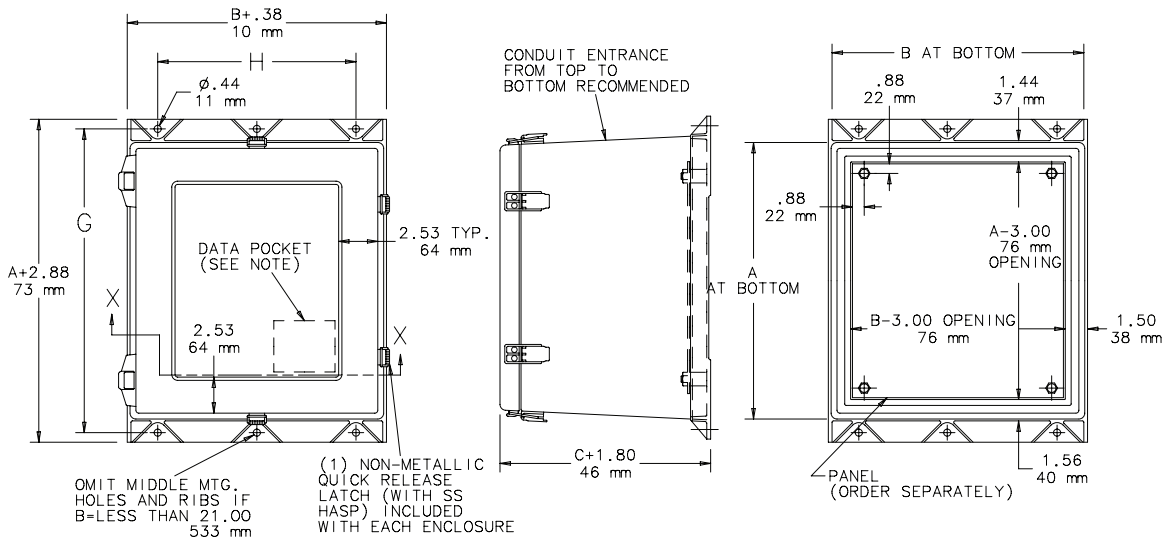
1) Custom order in COMPAS

2) 60" enclosure can fit 56" P3 interior due to custom fit at plant

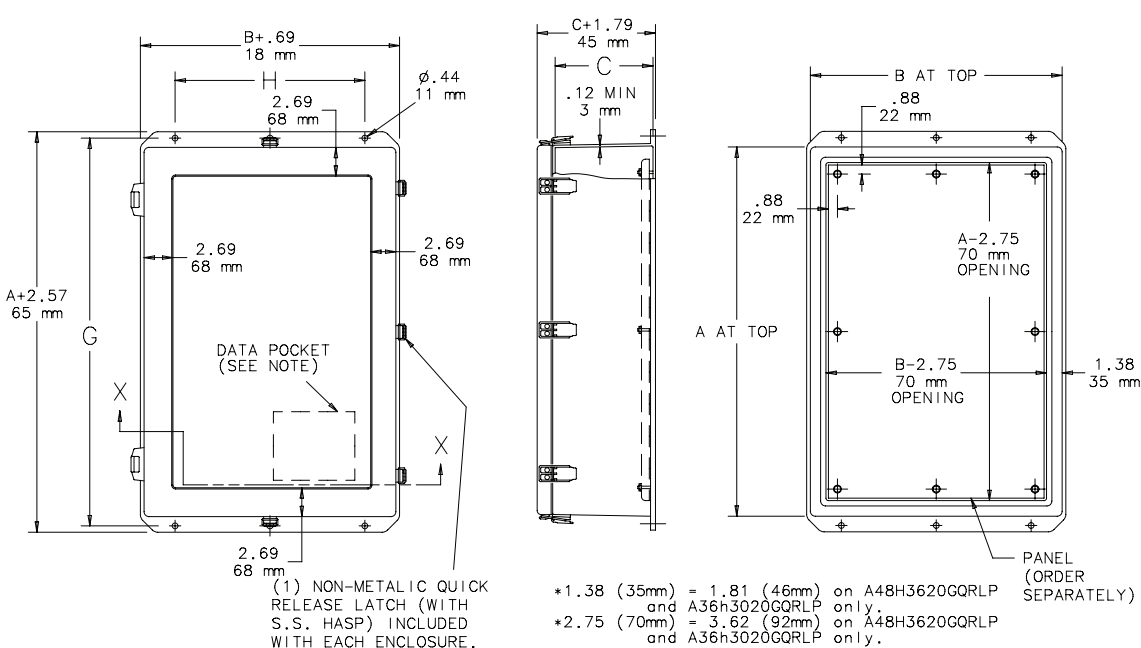
Hinged with 3-Point Latch or Quick-Release Latches, Type 4X NEMA 4X Non-Metallic Enclosures

Dimensions below for reference only - actual sizes vary by enclosure

Hinged with Quick-Release Latch Enclosures 36 X 30 or Smaller Drawing 3)



Hinged with Quick-Release Latch Enclosures 36 X 36 or Larger Drawing 4)



P1, P2 FAS-Latch standard fronts: Type 1

Standard Trim (FAS-Latch) Typical Dimensions. Hinges available as shown on right side only. Typical 14 Gage Steel construction or UL approved equivalent. Stainless steel is not available.

Optional Fronts for FAS-Latch Series – see examples below for Suffix adders:

Suffix	Description	Example
M	Metal Card Holder	F44BM
WM	Welded-on Metal Card Holder	F44BWM

Options for FAS-Latch Series:

Metal Card Holder – Add "M" suffix on all fronts

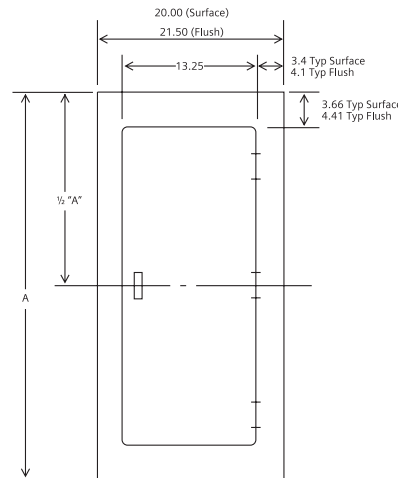
Welded Metal Card Holder – Contact Customer Support for availability

Front Height Inches	Flush FAS-Latch Fronts	
	20" Wide Flush Front	24" Wide Flush Front
	Catalog Number	Catalog Number
26	F26B	24F26B
32	F32B	24F32B
38	F38B	24F38B
44	F44B	24F44B
50	F50B	24F50B
56	F56B	24F56B
62	F62B	24F62B
68	F68B	23F68B
74	F74B	24F74B

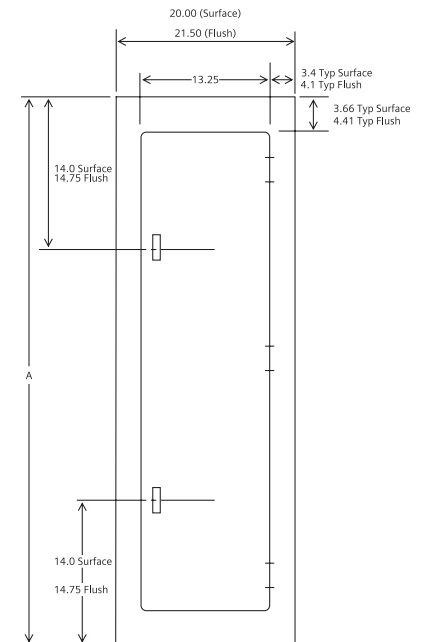
Front Height Inches	Surface FAS-Latch Fronts	
	20" Wide Surface Front	24" Wide Surface Front
	Catalog Number	Catalog Number
26	S26B	24S26B
32	S32B	24S32B
38	S38B	24S38B
44	S44B	23S44B
50	S50B	24S50B
56	S56B	24S56B
62	S62B	24S62B
68	S68B	24S68B
74	S74B	24S74B



Standard Trim (FAS-Latch)
(14 Gage Standard – no options)
(UPB includes surface or flush versions of this style. Other special fronts below are note part of the UPB program).



Box Size	Surface	Flush	# of Hinges
	A	A	
26	26	27.5	2
32	32	33.5	2
38	38	39.5	2
44	44	45.5	3
50	50	51.5	3



Box Size	Surface	Flush	# of Hinges
	A	A	
56	56	57.5	3
62	62	63.5	3
68	68	69.5	3
74	74	75.5	3

Circuit Numbering			
P1 only Stick-on		P2 / P3 Push-in	
NBK03	1-42	NBK3	1-42
NBK04	43-84	NBK4	43-84
NBK05	85-126	NBK5	85-126
NBK06	127-168	NBK6	127-168
NBK07	169-210	NBK7	169-210
NBK08	211-252	NBK8	211-252

Replacement Parts

Catalog No.	Market Facing Description	Pack Quantity
LPLOCK01A	Panel Trim Lock (14GA) W Key, B363A (FAS-Latch)	1
LPLOCK02A	Panel Trim Lock (12GA) W/O Key (Non FAS-Latch)	3
LPLOCK03A	Panel Trim Lock (10GA) W/O Key (Non FAS-Latch)	1
LPKEY01A	Key for Panel Trim Lock (FAS-Latch)	4
LPKEY01B	Key for Panel Trim Lock (FAS-Latch)	25
LPJSPDNUT01	J-Type Speed Nut For Panel Fronts	25
LPDC01	Panelboard Directory Card 5.5 x 5 in	10
LPDC02	Directory Card Pouch, Vinyl w/adhesive back	10
MCHK	Metal Card Holder Kit, stick-on with double sided tape	1

P1, P2 non FAS-Latch optional fronts

Options: For 24" wide fronts – Add "24" to start of part number: "F44H" becomes "24F44H" Note: 24" wide may require special order in COMPAS for some options.

For Metal Card Holder (stick-on) – Add "M" suffix to end of part number: "F44H" becomes "F44HM"

For Welded Metal Card Holder (special order in COMPAS) – Add "WM" suffix to end of part number: "F44H" becomes "F44HWM"

Front Height Inches	Screw to Box	
	20" W Flush	20" W Surface
	Catalog Number	
26	F26C	S26C
32	F32C	S32C
38	F38C	S38C
44	F44C	S44C
50	F50C	S50C
56	F56C	S56C
62	F62C	S62C
68	F68C	S68C
74	F74C	S74C

Front Height Inches	Hinge to Box	
	20" W Flush	20" W Surface
	Catalog Number	
26	F26H	S26H
32	F32H	S32H
38	F38H	S38H
44	F44H	S44H
50	F50H	S50H
56	F56H	S56H
62	F62H	S62H
68	F68H	S68H
74	F74H	S74H

Front Height Inches	Door-to-Door	
	20" W Flush	20" W Surface
	Catalog Number	
26	F26D	S26D
32	F32D	S32D
38	F38D	S38D
44	F44D	S44D
50	F50D	S50D
56	F56D	S56D
62	F62D	S62D
68	F68D	S68D
74	F74D	S74D

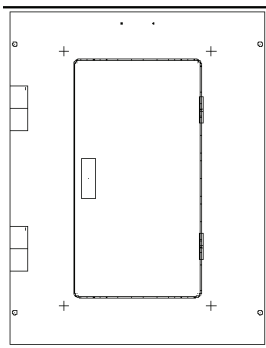


Figure 1: Standard Screw to Box Trim

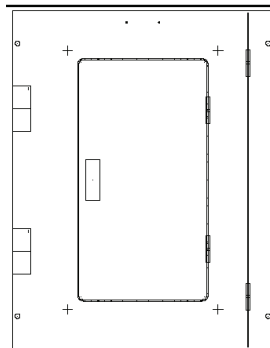


Figure 2: Standard Hinge to Box

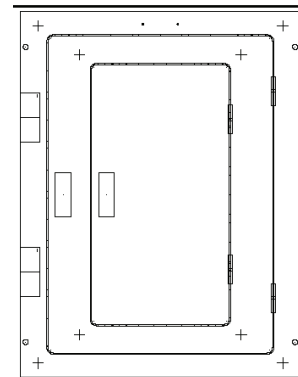


Figure 3: Standard Door in Door

Piano Hinge Options (Stainless 304 is available as option; all have piano hinges)

Front Height Inches	Screw to Box	
	20" W Flush	20" W Surface
	Catalog Number	
26	Ref F26CPH26 1)	Ref S26CPH26 1)
32	Ref F32CPH32 1)	Ref S32CPH32 1)
38	Ref F38CPH38 1)	Ref S38CPH38 1)
44	Ref F44CPH44 1)	Ref S44CPH44 1)
50	Ref F50CPH50 1)	Ref S50CPH50 1)
56	Ref F56CPH56 1)	Ref S56CPH56 1)
62	Ref F62CPH62 1)	Ref S62CPH62 1)
68	Ref F68CPH68 1)	Ref S68CPH68 1)
74	Ref F74CPH74 1)	Ref S74CPH74 1)

Front Height Inches	Hinge to Box	
	20" W Flush	20" W Surface
	Catalog Number	
26	Ref F26HHPH26 1)	Ref S26HHPH26 1)
32	Ref F32HHPH32 1)	Ref S32HHPH32 1)
38	Ref F38HHPH38 1)	Ref S38HHPH38 1)
44	Ref F44HHPH44 1)	Ref S44HHPH44 1)
50	Ref F50HHPH50 1)	Ref S50HHPH50 1)
56	Ref F56HHPH56 1)	Ref S56HHPH56 1)
62	Ref F62HHPH62 1)	Ref S62HHPH62 1)
68	Ref F68HHPH68 1)	Ref S68HHPH68 1)
74	Ref F74HHPH74 1)	Ref S74HHPH74 1)

Front Height Inches	Door-to-Door	
	20" W Flush	20" W Surface
	Catalog Number	
26	Ref F26DPH26 1)	Ref S26DPH26 1)
32	Ref F32DPH32 1)	Ref S32DPH32 1)
38	Ref F38DPH38 1)	Ref S38DPH38 1)
44	Ref F44DPH44 1)	Ref S44DPH44 1)
50	Ref F50DPH50 1)	Ref S50DPH50 1)
56	Ref F56DPH56 1)	Ref S56DPH56 1)
62	Ref F62DPH62 1)	Ref S62DPH62 1)
68	Ref F68DPH68 1)	Ref S68DPH68 1)
74	Ref F74DPH74 1)	Ref S74DPH74 1)

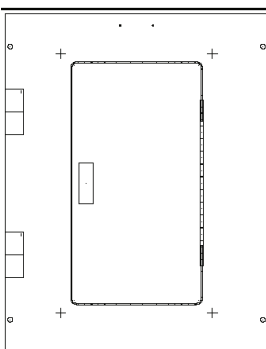


Figure 4: Screw to Box w/ Piano Hinge Door 1)

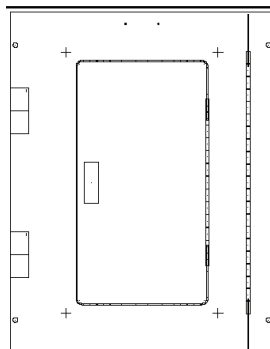


Figure 5: Hinge in Box w/ Piano Hinge and Piano Hinge Door

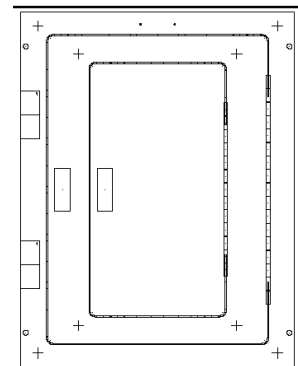


Figure 6: Door in Door w/ Piano Hinge both Doors

1) Custom order in COMPAS.

2) Stainless 304 is available as a special order for 20" W and 24" W only. Stainless 316 is not available. Flush stainless fronts are typically 1/2" wider and taller than standard flush fronts.

P3 series fronts (will not work with P1/P2 interiors)

Note: The P3 Dead Front size is larger than P1/P2, so any fronts or Dead Front interfaces for P3 interiors have to be larger than those for P1/P2.

If a P3 Front is used with a P1/P2 interior there is a gap that allows access to live parts, so this is not allowed or UL approved.

Front Height Inches	Standard FAS-Latch Front	
	24" W Flush Standard	24" W Surface Standard
	Catalog Number	Catalog Number
56	P3F56	P3S56
62	P3F62	P3S62
68	P3F68	P3S68
74	P3F74	P3S74
80	P3F80	P3S80

Note: Add "M" suffix for Metal Card Holder or "WM" suffix for Welded Metal Card Holder

Front Height Inches	Door-in-Door Front ¹⁾	
	24" W Flush	24" W Surface
	Catalog Number	Catalog Number
56	P3F56D	P3S56D
62	P3F62D	P3S62D
68	P3F68D	P3S68D
74	P3F74D	P3S74D
80	P3F80D	P3S80D

Note: Add "M" suffix for Metal Card Holder.

For Welded Metal Card Holder, contact Customer Support for availability.

Front Height Inches	Hinge-to-Box Front ¹⁾	
	24" W Flush	24" W Surface
	Catalog Number	Catalog Number
56	P3F56H	P3S56H
62	P3F62H	P3S62H
68	P3F68H	P3S68H
74	P3F74H	P3S74H
80	P3F80H	P3S80H

Note: Add "M" suffix for Metal Card Holder.

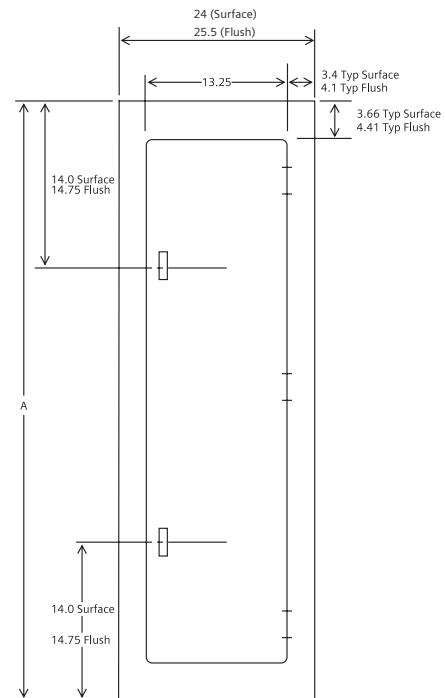
Non-standard P3 series fronts options must be ordered as manual item on factory.

For welded metal card holder, contact Customer Support for availability.

¹⁾ Stainless 304 is available as a special order for 20" W and 24" W only. Stainless 316 is not available. Flush stainless fronts are typically 1/2" wider and taller than standard flush fronts.



P3 Series Surface Front



P3 Series Surface Front

Box Size	Surface	Flush	# of Hinges
	A	A	
56	56	57.5	3
62	62	63.5	3
68	68	69.5	3
74	74	75.5	3
80	80	81.5	3

P1-P3 panel locks for Type 1 fronts^{6 7}

Push-In Panel Locks - Availability for Front/Door by Gauge ³			Type 1 Front Styles available with material, lock and hinge options. ⁵										
Front/Door Thickness	Replacement kit (where available) and Reference Material #	This lock is keyed for	FAS-Latch (16 Gauge)	STB (Screw-to-Bolt)	HTB (Hinged Front)	DND (Door-in-Door)	STB w/Piano Hinge Door	HTB w/Piano Hinge Door	DND w/Piano Hinge 2 places	STB 304 Stainless w/Piano Hinge 2 places 20" & 24" wide only	HTB 304 Stainless w/Piano Hinge Door 20" & 24" wide only	DND 304 Stainless w/Piano Hinge Door 20" & 24" wide only	Comments
0.178 max (16-14 GA)	Cat # LPLOCK01A ¹ ref 11-1895-01	standard lock - keyed for B363A	std	std	std	std	std	std	std	std	std	std	
0.208 max (12 GA)	Cat # LPLOCK02A ¹ ref 11-1895-02	standard lock - keyed for B363A	n/a	opt	opt	opt	opt	opt	opt	n/a	n/a		
0.238 max (10 GA)	Cat # LPLOCK03A ¹ ref 11-1895-03	standard lock - keyed for B363A	n/a	opt	opt	opt	n/a	n/a	n/a	n/a	n/a		see note 2
Special keyed locks below: (Contact Customer Support if needed)													
Front/Door thickness	Ref. Material number ²	This lock is keyed for ⁶											
0.178 max (16-14 GA)	11-1896-01	Yale LL803 / GE 75 (Corbin TEY)	opt	opt	opt	opt	opt	opt	opt	opt	opt	opt	see note 2 and 6
0.178 max (16-14 GA)	11-1896-02	Yale LL806	opt	opt	opt	opt	opt	opt	opt	opt	opt	opt	see note 2 and 6
0.178 max (16-14 GA)	11-1896-03	Corbin TEU1	opt	opt	opt	opt	opt	opt	opt	opt	opt	opt	see note 2 and 6
0.178 max (16-14 GA)	11-1896-04	Corbin CAT 60	opt	opt	opt	opt	opt	opt	opt	opt	opt	opt	see note 2 and 6
0.178 max (16-14 GA)	11-1896-05	National C413A	opt	opt	opt	opt	opt	opt	opt	opt	opt	opt	see note 2 and 6
0.208 max (12 GA)	11-1896-06	Yale LL803 / GE 75 (Corbin TEY)	n/a	opt	opt	opt	opt	opt	n/a	n/a	n/a	see note 2 and 6	
0.208 max (12 GA)	11-1896-07	Yale LL806	n/a	opt	opt	opt	opt	opt	n/a	n/a	n/a	see note 2 and 6	
0.208 max (12 GA)	11-1896-08	Corbin TEU1	n/a	opt	opt	opt	opt	opt	n/a	n/a	n/a	see note 2 and 6	
0.208 max (12 GA)	11-1896-09	Corbin CAT 60	n/a	opt	opt	opt	opt	opt	n/a	n/a	n/a	see note 2 and 6	
0.208 max (12 GA)	11-1896-10	National C413A	n/a	opt	opt	opt	opt	opt	n/a	n/a	n/a	see note 2 and 6	
0.238 max (10 GA)	11-1896-11	Yale LL803 / GE 75 (Corbin TEY)	n/a	opt	opt	opt	n/a	n/a	n/a	n/a	n/a	see note 2 and 6	
0.238 max (10 GA)	11-1896-12	Yale LL806	n/a	opt	opt	opt	n/a	n/a	n/a	n/a	n/a	see note 2 and 6	
0.238 max (10 GA)	11-1896-13	Corbin TEU1	n/a	opt	opt	opt	n/a	n/a	n/a	n/a	n/a	see note 2 and 6	
0.238 max (10 GA)	11-1896-14	Corbin CAT 60	n/a	opt	opt	opt	n/a	n/a	n/a	n/a	n/a	see note 2 and 6	
0.238 max (10 GA)	11-1896-15	National C413A	n/a	opt	opt	opt	n/a	n/a	n/a	n/a	n/a	see note 2 and 6	

- Note 1 Lock kits include one replacement lock with 2 keys #B363A
- Note 2 Contact Customer Support for re-ordering special keyed locks as needed.
- Note 3 The lock options for Yale 511, BEST, Corbin 15751 and Corbin 15757 CANNOT be used in 12GA and 10GA fronts, or with any 304 stainless steel fronts.
- Note 4 Factory has final determination on whether combinations of non-standard features are available. Contact customer support for complex front configurations.
- Note 5 The factory does not stock keys for these locks. It's the customer's responsibility to obtain it from outside sources.
- Note 6 NEMA 3R/12, NEMA 4, NEMA 4X SS, NEMA 4X non-metallic enclosures cannot be used with the fas-latch lock assembly.
- Note 7 Consult Factory or Customer Support for any special lock requirements.

Replacement Parts

Catalog No.	Market Facing Description	Pack Quantity
LPKEY01A	Key for Panel Trim Lock (FAS-Latch)	4
LPKEY01B	Key for Panel Trim Lock (FAS-Latch)	25

Replacement Filler Plate Reference Chart

Ref.	Panel Type	Breaker Position	Breaker Type	Orientation	Catalog Number	Catalog Description / comments	Filler Plate Eng ref #	Filler Description
A	P1 & RP1, P2, P3, C1, C2	Branch & Main ¹⁾	BL/BQD/xGB/xGB2/ED ¹⁾	Horizontal or Vertical (as needed)	DFFP1 ²⁾	1" Branch circuit filler plate (used for BL/BQD/xGB/xGB2/ED blank positions) (suitable for replacing QF3 in P1 thru P5 Panelboards and Switchboards) - also used to fill void where a 2-pole breaker is installed in a 3-pole position in various applications.	11-D-4554-01*	Blank Filler 1"
B	P1 & RP1, C1	Main / Subfeed	blank - no breaker	Horizontal or Vertical	DFFP01A	P1 Main Blank Filler Plate - 1 Piece (use for Original or Revised P1 - also replaces 12-A-1801-01) (Vertical for 400A Main)	11-D-4560-01* (replaces 12-A-1801-01)	P1 Blank Filler Plate
C	P1 & RP1	Main / Subfeed	ED	Horizontal	DFFPED01	P1 ED Main Filler Plate - 1 Piece	12-A-1802-01	P1 125A Filler Plate
D	P1 & RP1	Main / Subfeed	QJ 2-pole	Horizontal	DFFPQJ02	P1 QJ Main Filler Plate 2 pole - 1 Piece	12-A-1804-02	P1 QJ Filler Plate
E	P1 & RP1	Main / Subfeed	QJ 3-pole	Horizontal	DFFPQJ01	P1 QJ Main Filler Plate 3 pole - 1 Piece	12-A-1804-01	P1 QJ Filler Plate
F	P1 & RP1	Main / Subfeed	QR	Horizontal	MBKQRFK	P1/Revised P1 Filler for 1PH/3PH QR. Horizontal Mount only.	11-D-4563-01*	P1 QR Filler Plate
G	P1 & RP1	Main / Subfeed	FD	Horizontal	DFFPFD01	P1 FD Main Filler Plate - 1 Piece	12-A-1803-01	FD Filler Plate
H	P1 & RP1	Main	JD	Vertical	DFFPJD01	P1 JD Main Filler Plate - 1 Piece	11-D-4522-01	Deadfront Filler 400 - 800A Breaker
I	P2 & P3	Branch	BL/BQD/xGB/xGB2/ED	n/a ¹⁾	DFK1	BL, BQD, ED deadfront kit for 1" pole breakers - Center strips 3", 6", 9", 12", 15", 18", 21" plus mounting hardware	multiple parts 11-D-3018-01 thru ...-07	Center strips included (7 sizes) 3", 6", 9", 12", 15", 18", 21" (of branch height)
J	P2 & P3	Branch	blank - no breaker	Horizontal	DFFP3	Deadfront filler, 3" steel blank filler plate (one each P2&P3)	11-D-3014-02 11-D-3035-02	P2 Blank Deadfront Plate 3" P3 Blank Cover Plate 2.97"
K	P2 & P3	Branch	blank - no breaker	Horizontal	DFFP6	Deadfront filler, 6" steel blank filler plate (one each P2&P3)	11-D-3014-01 11-D-3035-01	P2 Blank Deadfront Plate 6" P3 Blank Cover Plate 5.97"
L	P2	Branch	QR	Horizontal and Vertical	BBKQRP1FK	P2 Filler for QR. Horizontal or vertical mount. it contains all cover plates necessary to change from QJ to QR both 2 and 3-pole breakers.	11-D-3282-01 11-D-4563-01* 11-D-4564-01	QR Deadfront Plate P1 QR Filler Plate P2 QR Deadfront Filler
M	P3	Branch	QR	Horizontal	BBKQRP2FK	P3 Filler for QR. Dual mount horizontal. - Kit contains all cover plates necessary to change from QJ to QR both 2 and 3-pole breakers. For 1-phase panel, both breakers must change from QJ to QR, cannot have one of each installed.	11-D-4565-01 11-D-3283-01 11-D-3284-01 11-D-3288-01 12-6812-34	P3 QR Deadfront Filler P3 DUAL QJ Deadfront Plate P3 DUAL QJ Deadfront Plate P3 QR-QJ Combo Deadfront Plate Breaker Blank Filler
N	P3	Branch	NEB/HEB	Horizontal	EBF1	EB Filler Plate	11-D-4529-01	EB Deadfront Filler
O	P3	Branch	BL, BQD, ED or GB	Horizontal	DFP3AP01	Used for filling space in a P3 deadfront when a BL, BQD, ED or GB branch breaker is installed. Can be replaced in field if lost or damaged.	11-D-3033-01	P3 BL/BQD/ED/xGB adaptor plate 3" - 1 Piece per pack

1) 1" Branch circuit filler plate (used for BL/BQD/xGB/xGB2/ED blank positions. Suitable for replacing QF3 in P1-P5 Panelboards and Switchboards). Also used to fill void where a 2-pole breaker is installed in a 3-pole position in various applications.

2) QF3/DFFP1 compatibility

- DFFP1 fits tighter in the opening than the QF3 (small spring tabs are stronger on the sides, but otherwise almost identical). thus DFFP1 will not slide out of place without some force being applied).
- In a P1-P2-P3 deadfront, a QF3 will slide out of position when the deadfront is removed from the panel. This makes it difficult to put the deadfront back on the panel.
- Both the QF3 and DFFP1 are approved for use in all panelboards and switchboards. However, only QF3 is approved for use in residential products (load centers, meter combos, etc.

Catalog Numbering System

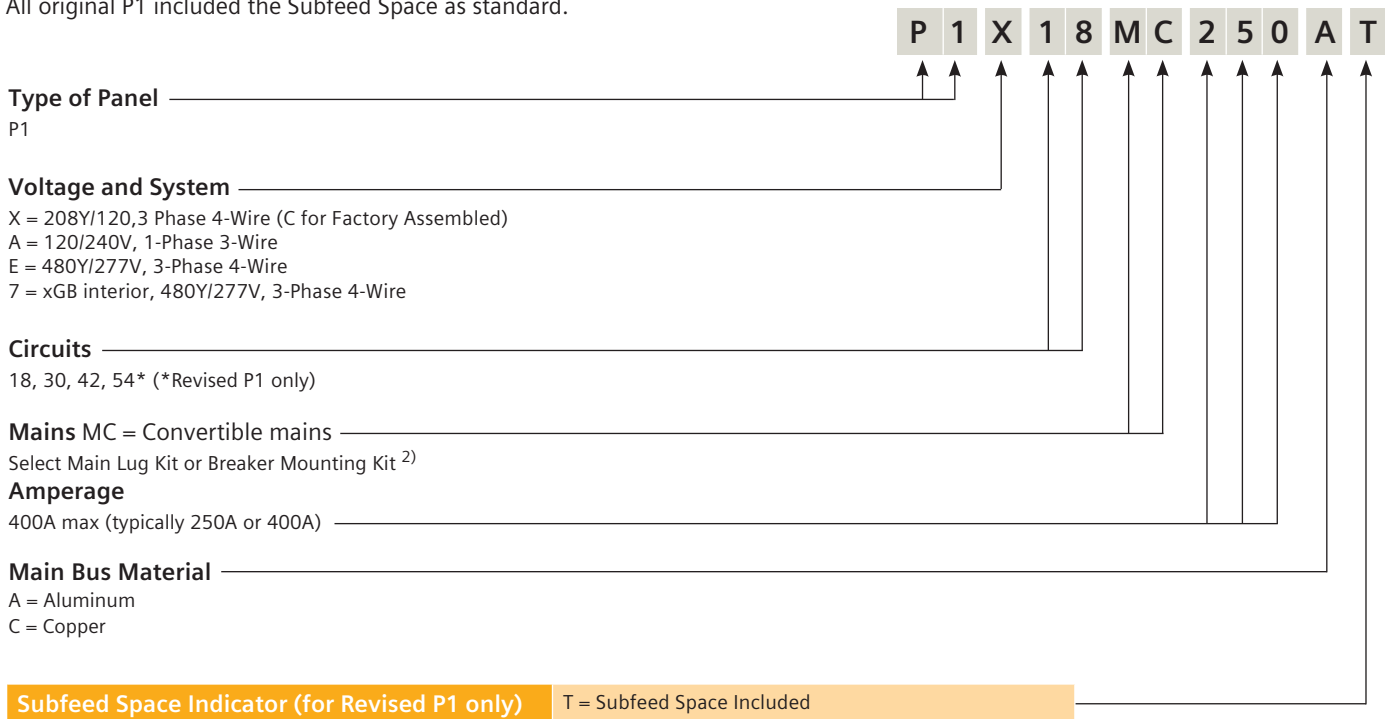
Unassembled Panelboards

Type P1 unassembled panelboards are completely convertible from main lug to main breaker and vice-versa. Additionally feed-thru lugs, or subfeed circuit breakers up to 400 ampere can be added without increasing the box height for Revised P1 with "T" suffix, see the chart.

1. When BL/BQD or GB Main Breaker is chosen as back-fed in unit space, the main breaker will use two or three positions of unit space and will reduce usable branch circuit space.
2. List catalog number and price of interior, box and front.
3. Select main lug kit or main breaker kit from appropriate tables.

- Note:** Main/Subfeed Breaker mounting kits may be ordered with or without breakers included. ²⁾
4. List required branch circuit breakers and filler plates to cover any unused positions.
 5. Select any modifications or accessories.

Note: Revised P1 was introduced in 2015. All original P1 devices do not include the "Subfeed Space" Indicator. All original P1 included the Subfeed Space as standard.



Note: Standard bussing in P1 panels is tin plated for aluminum and copper. Standard bus is temperature rated to the maximum amperage in the panel.

Branch Breakers

Panel Type	Voltage (Max.)	Breaker Type
P1, Revised P1 ¹⁾	240	BL, BLH, HBL, BQD, NGB, HGB, LGB
	480 / 277	BQD, NGB, HGB, LGB,
	600 / 347 ³⁾	BQDG ²⁾ , NGB, HGB, LGB

1) Consult sales office for availability of CSA.
2) See Speedfax for additional information.
3) 600/347V options are not available in a UPB panel – see factory assembled section.

Distributor Stock

Type P1 Panelboards (for UPB Program)

Type P1 Unassembled Panelboards (Revised P1 introduced 2014)

Amps	Max. # of Poles	Original Interior Catalog Number	Revised P1 Interior Catalog Number	Box Size	Type 1 Encl.	Type 3R/12 Encl. ¹⁾	Type 1 Front Surface	Type1 Front Flush
Convertible Mains – 1-Phase, 3-Wire 120/240V								
250	18	P1A18MC250A	P1A18MC250AT ²⁾	32	B32	WP32	S32B	F32B
	30	P1A30MC250A	P1A30MC250AT	38	B38	WP38	S38B	F38B
	42	P1A42MC250A	P1A42MC250AT	44	B44	WP44	S44B	F44B
	54		P1A54MC250AT	50	B50	WP50	S50B	F50B
400	18	P1A18MC400A		62	B62	WP62	S62B	F62B
	30	P1A30MC400A	P1A30MC400AT	68	B68	WP68	S68B	F68B
	42	P1A42MC400A	P1A42MC400AT	74	B74	WP74	S74B	F74B
	54		P1A54MC400AT	74	B74	WP74	S74B	F74B
250	18	P1A18MC250C	P1A18MC250CT ²⁾	32	B32	WP32	S32B	F32B
	30	P1A30MC250C	P1A30MC250CT	38	B38	WP38	S38B	F38B
	42	P1A42MC250C	P1A42MC250CT	44	B44	WP44	S44B	F44B
	54		P1A54MC250CT	50	B50	WP50	S50B	F50B
400	18	P1A18MC400C		62	B62	WP62	S62B	F62B
	30	P1A30MC400C	P1A30MC400CT	68	B68	WP68	S68B	F68B
	42	P1A42MC400C	P1A42MC400CT	74	B74	WP74	S74B	F74B
	54		P1A54MC400CT	74	B74	WP74	S74B	F74B
Convertible Mains – 3-Phase, 4-Wire 208Y/120V								
250	18	P1X18MC250A	P1X18MC250AT ²⁾	32	B32	WP32	S32B	F32B
	30	P1X30MC250A	P1X30MC250AT	38	B38	WP38	S38B	F38B
	42	P1X42MC250A	P1X42MC250AT	44	B44	WP44	S44B	F44B
	54		P1X54MC250AT	50	B50	WP50	S50B	F50B
400	18	P1X18MC400A		62	B62	WP62	S62B	F62B
	30	P1X30MC400A	P1X30MC400AT	68	B68	WP68	S68B	F68B
	42	P1X42MC400A	P1X42MC400AT	74	B74	WP74	S74B	F74B
	54		P1X54MC400AT	74	B74	WP74	S74B	F74B
250	18	P1X18MC250C	P1X18MC250CT ²⁾	32	B32	WP32	S32B	F32B
	30	P1X30MC250C	P1X30MC250CT	38	B38	WP38	S38B	F38B
	42	P1X42MC250C	P1X42MC250CT	44	B44	WP44	S44B	F44B
	54		P1X54MC250CT	50	B50	WP50	S50B	F50B
400	18	P1X18MC400C		62	B62	WP62	S62B	F62B
	30	P1X30MC400C	P1X30MC400CT	68	B68	WP68	S68B	F68B
	42	P1X42MC400C	P1X42MC400CT	74	B74	WP74	S74B	F74B
	54		P1X54MC400CT	74	B74	WP74	S74B	F74B
Convertible Mains — 3-Phase, 4-Wire 480Y/277V								
250	18	P1E18MC250A	P1E18MC250AT ²⁾	32	B32	WP32	S32B	F32B
	30	P1E30MC250A	P1E30MC250AT	38	B38	WP38	S38B	F38B
	42	P1E42MC250A	P1E42MC250AT	44	B44	WP44	S44B	F44B
	54		P1E54MC250AT	50	B50	WP50	S50B	F50B
400	18	P1E18MC400A		62	B62	WP62	S62B	F62B
	30	P1E30MC400A	P1E30MC400AT	68	B68	WP68	S68B	F68B
	42	P1E42MC400A	P1E42MC400AT	74	B74	WP74	S74B	F74B
	54		P1E54MC400AT	74	B74	WP74	S74B	F74B
250	18	P1E18MC250C	P1E18MC250CT ²⁾	32	B32	WP32	S32B	F32B
	30	P1E30MC250C	P1E30MC250CT	38	B38	WP38	S38B	F38B
	42	P1E42MC250C	P1E42MC250CT	44	B44	WP44	S44B	F44B
	54		P1E54MC250CT	50	B50	WP50	S50B	F50B
400	18	P1E18MC400C		62	B62	WP62	S62B	F62B
	30	P1E30MC400C	P1E30MC400CT	68	B68	WP68	S68B	F68B
	42	P1E42MC400C	P1E42MC400CT	74	B74	WP74	S74B	F74B
	54		P1E54MC400CT	74	B74	WP74	S74B	F74B
Interiors for xGB Breakers — 3-Phase, 4-Wire 480Y/277V								
250	18	P1718MC250A	P1718MC250AT ²⁾	32	B32	WP32	S32B	F32B
	30	P1730MC250A	P1730MC250AT	38	B38	WP38	S38B	F38B
	42	P1742MC250A	P1742MC250AT	44	B44	WP44	S44B	F44B
	54		P1754MC250AT	50	B50	WP50	S50B	F50B
400	18	P1718MC400A		62	B62	WP62	S62B	F62B
	30	P1730MC400A	P1730MC400AT	68	B68	WP68	S68B	F68B
	42	P1742MC400A	P1742MC400AT	74	B74	WP74	S74B	F74B
	54		P1754MC400AT	74	B74	WP74	S74B	F74B
250	18	P1718MC250C	P1718MC250CT ²⁾	32	B32	WP32	S32B	F32B
	30	P1730MC250C	P1730MC250CT	38	B38	WP38	S38B	F38B
	42	P1742MC250C	P1742MC250CT	44	B44	WP44	S44B	F44B
	54		P1754MC250CT	50	B50	WP50	S50B	F50B
400	18	P1718MC400C		62	B62	WP62	S62B	F62B
	30	P1730MC400C	P1730MC400CT	68	B68	WP68	S68B	F68B
	42	P1742MC400C	P1742MC400CT	74	B74	WP74	S74B	F74B
	54		P1754MC400CT	74	B74	WP74	S74B	F74B



42 circuit with Back-fed Main



54 circuit 400A

Product Category UPB

- 1) Front included in NEMA 3R and 3R/12 Box.
- 2) The New Revised P1 (18 circuit 250A only) is limited to 100A per connection (200A per pair) when installing Branch Breakers across from one another.
All other configurations allow 125A per connection max. (250A per pair max.)

Listing of Recommended Spart Parts Kits for Customers

Addendum Index			Current Product					Old Product is no longer manufactured, some kits are available					Drawing # ref
Kit Number	Addendum #	Page#	P1 Revised	P2	P3	C1	C2	P1 Original	S1, S2, SE	Qty/Kit	Product Description Note: Some kits apply to only specific enclosures used or configurations of the product listed		
General Hardware													
BBKVA52P3HW	C	101			X					1	3VA52 Twin Mount P3 - Hardware Kit, one kit per breaker needed. Two are included with Strap kit BBKVA52P3T	11-D-2763-01	
IMK1	B, C	45, 94	X	X	X			X		1	Interior Mounting Kit with Adjustment Provisions for P1/P2/P3	11-A-2024-01	
LP3RHP01	A	35	X	X	X			X		12	3R/12 Hinge Pin, 0.188" dia. Steel w/Zinc plate (kit pending, not yet available) ref # 11-1902-01	11-1902	
LPDC01	A	35	X	X	X	X	X	X	X	10	Panelboard Directory Card. 5.5"X5", for 1-90 circuits. Mates with pouch # 11-1824-01	12-1110	
LPDC02	A	35	X	X	X	X	X	X	X	10	Panelboard Directory Vinyl Pouch, 6.3"x6.1". Mates with Directory Card #12-1110-01	11-1824	
LPJSPDNUT01	A	35	X	X	X	X	X	X	X	25	Replacement J-nuts for use with lighting panel fronts and deadfronts. Also used in miscellaneous other applications.	11-A-1820-61	
LPKEY01A	A	34	X	X	X	X	X	X		4	Key for standard Panelboard Lock series 1-1895-0x. Siemens FAS-Latch and other various fronts use this standard key #B363A	B363A	
LPKEY01B	A	34	X	X	X	X	X	X		25	Key for standard Panelboard Lock series 1-1895-0x. Siemens FAS-Latch and other various fronts use this standard key #B363A	B363A	
LPLOCK01A	A	34	X	X	X	X	X	X		1	Siemens FAS-Latch Replacement Lock Kit with two B363A Keys, for 14 Gauge Steel, Lighting Panel Type 1 Fronts, various styles.	11-1895-61	
LPLOCK02A	A	34	O	O	O	O	O	O		1	Siemens FAS-Latch Replacement Lock Kit with two B363A Keys, for 12 Gauge Steel, Lighting Panel Type 1 Fronts, various styles.	11-1895-62	
LPLOCK03A	A	34	O	O	O	O	O	O		1	Siemens FAS-Latch Replacement Lock Kit with two B363A Keys, for 10 Gauge Steel, Lighting Panel Type 1 Fronts, various styles.	11-1895-63	
LPTS01	A	35	X	X	X	X	X	X	X	25	Trim Screw, Lighting Panel Front, 0.547" Length, ¼-20 Machine Screw Thread (kit pending - not yet available)	11-A-1819	
MCHK	A	35	X	X	X	X	X	X	X	1	MCHK - Metal Card Holder Kit - Field Installable	12-A-2098-00	
P1CONACPHCU	B	44	X							6	RP1 A/C-Phase Replacement Copper Connectors, Kit of 6 pcs plus mounting hardware. Also can be used to replaced AL A/C-Phase Connectors.	11-D-2572-02	
P1CONBPHAL	B	44	X							6	RP1 B-Phase Replacement Aluminum Connectors, Kit of 6 pcs plus mounting hardware	11-D-2573-01	
P1CONBPHCU	B	44	X							6	RP1 B-Phase Replacement Copper Connectors, Kit of 6 pcs plus mounting hardware	11-D-2573-02	
P1SCRWS	B	44	X					X		42	P1 Branch breaker mounting screws - pack of 42 screws, part #11-A-1505-03, 10-32 x 0.312" Hex Washer Head Screw - Do Not Substitute	11-A-2010-01	
ref 31-1905-01	na	na	X	X	X	X	X	X		1	NEMA 3R T-Handle with hardware, uses B363A key - does not include key (kit needed with all mounting hardware and keys - in process)	31-1905	
XTP060	na	na	X	X	X	X	X	X	X	1	TUP61 Grey Touch-up Paint, 12 oz Spray Can	na	
Deadfront Parts													
DFFP01A	A	24	X			X		X		1	P1 Main Blank Filler Plate - 1 Piece (use for Original or Revised P1 - also replaces 12-A-1801-01) (Installs Vertical for 400A Main)	11-D-4560-61	
DFFP1	A	24	X	X	X	X	X	X	X	1	DFFP1 Blank filler , 1 inch snap-in, replaced old QF3 in Systems Products. Ref. old #12-1800-01	11-D-4554	
DFFPED01	A	24	X					X		1	P1 Main Filler 100-125A frames ED, BL/BQD or xGB (use for Original or Revised P1 and other applications)	12-A-1802-61	
DFFPFD01	A	24	X					X		1	FD Main Filler Plate for 1-Ph and 3-Ph P1 Panels (use for Original or Revised P1 and other applications)	12-A-1803-61	
DFFPJD01	A	24	X					X		1	JD Main Filler Plate for 1-Ph and 3-Ph P1 Panels (use for Original or Revised P1 and other applications)	11-D-4522-61	
DFFPQJ01	A	24	X					X		1	QJ Main Filler Plate for 3-Phase (3-pole) P1 Panels (use for Original or Revised P1 and other applications)	12-A-1804-61	
DFFPQJ02	A	24	X					X		1	QJ Main Filler Plate for 1-Phase (2-pole) P1 Panels (use for Original or Revised P1 and other applications)	12-A-1804-62	
MBKQRFK	A	41	X					X		1	P1/Revised P1 Filler for 1PH/3PH QR. Horizontal Mount only.	11-D-2643-01	
ref 11-D-3212-01	na	na	X							1	P1 250A Deadfront Support - for Feed-thru interiors only (4 per interior) (kit pending, not yet available)	11-D-3212	

Listing of Recommended Spart Parts Kits for Customers

Addendum Index			Current Product					Old Product is no longer manufactured, some kits are available				Product Description Note: Some kits apply to only specific enclosures used or configurations of the product listed	Drawing # ref
Kit Number	Addendum #	Page#	P1 Revised	P2	P3	C1	C2	P1 Original	S1, S2, SE	Qty/Kit			
Deadfront Parts													
ref 11-D-3212-02	na	na	X									P1 400A Deadfront Support (new for 3VA) - for both FT and NFT interiors. (replaces # 11-D-3004-01) (4 per interior) (kit pending, not yet available)	11-D-3315
ref 11-D-3315-01	na	na	X							1		P1 400A Deadfront Support (new for 3VA) - for both FT and NFT interiors. (replaces # 11-D-3004-01) (4 per interior) (kit pending, not yet available)	11-D-3315
NBK03	A	41	X					X		1		Number Strips 1–42. Stick-on type; Use w/ P1 series Panels	11-A-2009-03
NBK04	A	41	X					X		1		Number Strips 43–84. Stick-on type; Use w/ P1 series Panels	11-A-2009-04
NBK05	A	41	X					X		1		Number Strips 85–126. Stick-on type; Use w/ P1 series Panels	11-A-2009-05
DFK1	A	39		X	X					1		P2 kit to replace center strips in the deadfront when breaker strap kits are changed or modified. This kit includes mounting hardware and seven different lengths of center strip for 3" thru 21" of unit space. (for BL/BQD/xGB/etc. sizes of breakers)"	11-D-2273-01
DFP3AP01	A	40		X	X					1		DFP3AP01 Kit for P2/P3 BL/BQD/ED/xGB/etc. breakers. This adapter plate is fills 3 inches of unit space on one side of the Deadfront to allow the smaller breakers to fit correctly.	11-D-3033-61
EBF1	A	40			X					1		EBF1 Deadfront Filler Kit for NEB/HEB Breaker in a P3, includes one plastic filler plate and screw to cover 1" of unit space.	11-D-2312-01
NBK3	A	41		X	X	X	X			1		Press-in Number Kit 1-42 P2/P3 Panelboards	11-A-2A02-03
NBK4	A	41		X	X	X	X			1		Press-in Number Kit 43-84 P2/P3 Panelboards	11-A-2A02-04
NBK5	A	41		X	X	X	X			1		Press-in Number Kit 85-126 P2/P3 Panelboards	11-A-2A02-05
Bonding Kits													
BK1A	B	44	X							1		Revised P1 Bonding Kit including Service Disconnect Label	11-D-2473-01
P2BK1	C	95		X						1		P2 250A Max Horiz. MB Bonding Strap Kit	11-D-2068-01
P2BK2	C	95		X						1		P2 125A max. Main Lug Bonding Strap Assembly	11-D-2068-02
P2BK3	C	95		X						1		P2 250-600A MLO and all Vert MB Bonding Kit	11-D-2068-03
P3BK1	C	95			X					1		P3 Bonding Kit for all MLO and MB selections	11-D-2204-01
Ground Bar Kits													
ECGK	A	36	X	X	X			X		1		ECGK Copper Ground Bus Kit, Connection count: (6) of #14-1/0 and (15) of #14-6 Connections (21 Holes total). Some connections allow multiple wires.	31-A-2006
EGK	A	36	X	X	X			X		1		ECGK All/Cu Ground Bus Kit, Connection count: (6) of #14-1/0 and (15) of #14-6 Connections (21 Holes total). Some connections allow multiple wires.	31-A-2006
ICGK	A	37	X	X	X			X		1		ICGK Insulated Copper Ground Bus Kit, Connection count: (6) of #14-1/0 and (15) of #14-6 Connections (21 Holes total). Some connections allow multiple wires.	31-2011
IGK	A	37	X	X	X			X		1		IGK Insulated All/Cu Ground Bus Kit, Connection count: (6) of #14-1/0 and (15) of #14-6 Connections (21 Holes total). Some connections allow multiple wires.	31-2010
Lug Kits Miscellaneous													
BNK2	C	94		X						1		BNK2 3-Step Lug Kit, for P2 neutrals and others. (14x #14-1/0 max and 14x #14-#6 max connections) - Kit includes mounting hardware and instructions.	11-A-1862
BNK350N	C	94		X	X					1		Neutral Lug kit, Narrow 350 kcmil Lug with two mounting screws. Used in P2/P3 neutrals and other locations.	11-A-1869-61
LPP2NB01	C	94		X						1		Lug 2-Step, for P2 neutrals and others. (3x #6-1/0 max and 18x #14-#6 max connections) - Kit includes mounting hardware and instructions.	15-A-1800-61
LNLK30A	B	46	X							1		Revised P1 2/0 Neutral Lug Kit for 18 & 30 circuit interiors. Two Aluminum neutral strips included with hardware. For both 250A and 400 Applications. 30 connections total, (8x 2/0 max and 22x #6 max.) CU or AL cable.	11-D-2535-02
LNLK42A	B	46	X							1		Revised P1 2/0 Neutral Lug Kit for 42 circuit interiors. Two Aluminum neutral strips included with hardware. For both 250A and 400A applications. 46 connections total, (12x 2/0 max and 34x #6 max.) CU or AL cable.	11-D-2535-01
LNLK54A	B	46	X							1		Revised P1 2/0 Neutral Lug Kit for 54 & 66 circuit interiors. Four Aluminum neutral strips included with hardware. For both 250A and 400A applications. 76 connections total (20x 2/0 max and 56x #6 max.) CU or AL cable.	11-D-2535-03

Listing of Recommended Spart Parts Kits for Customers

Addendum Index		Current Product					Old Product is no longer manufactured, some kits are available				Product Description	Drawing # ref
Kit Number	Addendum #	Page#	P1 Revised	P2	P3	C1	C2	P1 Original	S1, S2, SE	Qty/Kit		
Miscellaneous Parts tbd												
ref 11-A-1505-02	na	na	X					X		1	Screw: 10-32 x0.375" Slotted Hex Washer Head SEMS - Used in P1 for BL/BQD/xGB/ED breaker to bus strap mounting	11-A-1502
ref 11-A-1508-04	na	na	X					X		1	Screw: 1/4-20 x0.50" Slotted Hex Washer Head SEMS - Used in P1 for QJ/QR/FD breaker to bus strap mounting - Also used for P1 Bus strap to Bus connections - BL/BQD/xGB/ED/FD	11-A-1508
ref 11-A-1508-08	na	na	X					X		1	Screw: 10-32 x0.875" Slotted Hex Washer Head SEMS - Used in P1 for FD breaker to bus strap mounting	11-A-1508
ref 11-1512-02	na	na		X	X			X		1	Screw: 8-32 X 9/32" IHWHWSW, Indented Hex Washer-Head Screw - Used for P2/P3 Deadfront plate to DF rail mounting and many other kit/part attachments points.	11-1512
ref 11-1512-06	na	na		X	X	X	X			1	Screw: 8-32 X 9/16" IHWHWSW, Indented Hex Washer-Head Screw - Used for P2/P3 Deadfront to DF support mounting and many other kit/part attachments points.	11-1512
ref 11-A-1520-07	na	na	X					X		1	Screw: 5/16-18 X 0.750" IHWHWSW, Indented Hex Washer-Head Screw, Thread Forming SEMS with captive Belleville washer. - Used for P1 Bus strap to Bus connections - JD - two per connection	11-A-1520
ref 11-1576-04	na	na	X					X		1	Screw: 10-24 X 0.437" ISHWHWSW Indented Slotted Hex Washer Head. - Used for P1 250A and 400A Deadfront support to base-rail and deadfront to DF support (plus many other items) (kit pending, not yet available)	11-1576
ref 11-1615-07 ref 11-1618-05 ref 11-1586-05	na	na	X					X		1	One of each used for each phase: JD Breaker to Bus strap connection. Washer: Type A Plain 3/8" Narrow, .406"x.812"x.065" Washer: 3/8" Helical Spring Lock washer, .382"x.683"x.094" Screw: 3/8-16x1.00" HHMS, Hex Head Machine Screw	11-1615 11-1618 11-1586
ref 11-1576-07	na	na		X	X					1	Screw: 10-24 X 0.625" ISHWHWSW Indented Slotted Hex Washer Head Screw - Used for P2/P3 Breaker to bus strap connection - BL/BQD/xGB/ED/QJ/QR	11-1576
ref 11-1553-06	na	na		X	X					1	Screw: 1/4-20 X 5/8" ISHWHWSW Indented Slotted Hex Washer Head Screw - Used for P2 Bus strap to Bus connections - BL/BQD/ED and xGB A&B-phase only and P2 QJ/QR Breaker to bus strap and bus strap to bus	11-1553
ref 11-1553-09	na	na			X					1	Screw: 1/4-20 X 1" ISHWHWSW Indented Slotted Hex Washer Head Screw - Used for P3 Bus strap to Bus connections - BL/BQD/ED/QJ/QR and xGB/GB2 A&B-phase only	11-1553
ref 11-1553-17	na	na		X						1	Screw: 1/4-20 X 1.875" ISHWHWSW Indented Slotted Hex Washer Head Screw - Used for P2 Bus strap to Bus connections - xGB/GB2 (B-phase only)"	11-1553
ref 11-1553-19	na	na			X					1	Screw: 1/4-20 X 2.250" ISHWHWSW Indented Slotted Hex Washer Head Screw - Used for P3 Bus strap to Bus connections - xGB/GB2 (B-phase only)	11-1553

Addendum – Listing of all Field Installable Kits included

Addendum Index			Current Product					Old Product is no longer manufactured, some kits are available		Product Description	Drawing # ref
Kit Number	Addedum #	Page#	P1 Revised	P2	P3	C1	C2	P1 Original	S1, S2, SE		
2NLK30A	B	47	X							Revised P1 250A 200% Neutral Lug Kit for 18 & 30 circuit interiors. Two Aluminum Line Lugs (#6-350kcmil AL or CU cable) and 2 Copper neutral strips (1/0 max.) included with hardware.	11-D-2534-01
2NLK42A	B	47	X							Revised P1 250A 200% Neutral Lug Kit for 42 circuit interiors. Two Aluminum Line Lugs (#6-350kcmil AL or CU cable) and 2 Copper neutral strips (1/0 max.) included with hardware.	11-D-2534-02
2NLK54A	B	48	X							Revised P1 250A 200% Neutral Lug Kit for 54 & 66 circuit interiors. Two Aluminum Line Lugs (#6-350kcmil AL or CU cable) and 4 Copper neutral strips (1/0 max.) included with hardware.	11-D-2534-03
42NLK30A	B	48	X							Revised P1 400A 200% Neutral Lug Kit for 18 & 30 circuit interiors. Two Aluminum Line Lugs (#6-350kcmil AL or CU cable) and 2 Copper neutral strips (1/0 max.) included with hardware.	11-D-2540-01
42NLK42A	B	49	X							Revised P1 400A 200% Neutral Lug Kit for 42 circuit interiors. Two Aluminum Line Lugs (#6-350kcmil AL or CU cable) and 2 Copper neutral strips (1/0 max.) included with hardware.	11-D-2540-02
42NLK54A	B	50	X							Revised P1 400A 200% Neutral Lug Kit for 54 & 66 circuit interiors. Two Aluminum Line Lugs (#6-350kcmil AL or CU cable) and 4 Copper neutral strips (1/0 max.) included with hardware.	11-D-2540-03
4MLKA1A	B	53	X							Revised P1 400A 1-phase Main or Feed-thru Lug Kit, AL connectors for two 1/0-250kcmil or one #2-600kcmil AL or CU cable. Also includes Neutral Lug, labels, blank filler and all hardware required.	11-D-2537-01
4MLKA1B	B	54	X							Revised P1 750kcmil 400A 1-phase Main or Feed-thru Lug Kit, AL connectors for two 1/0-250kcmil CU/AL cables (or) one 1/0-750kcmil AL (or) one 1/0-600kcmil CU cable. Also includes one 750kcmil max. and one 350kcmil max. Neutral Lug, labels, blank filler and all hardware required.	11-D-2539-01
4MLKA3A	B	53	X							Revised P1 400A 3-phase Main or Feed-thru Lug Kit, AL connectors for two 1/0-250kcmil or one #2-600kcmil AL or CU cable. Also includes Neutral Lug, labels, blank filler and all hardware required.	11-D-2537-02
4MLKA3B	B	55	X							Revised P1 750kcmil 400A 3-phase Main or Feed-thru Lug Kit, AL connectors for two 1/0-250kcmil CU/AL cables (or) one 1/0-750kcmil AL (or) one 1/0-600kcmil CU cable. Also includes one 750kcmil max. and one 350kcmil max. Neutral Lug, labels, blank filler and all hardware required.	11-D-2539-02
4MLKC1A	B	56	X							Revised P1 400A 1-phase Main or Feed-thru Lug Kit, CU connectors for two 1/0-4/0 or one #1/0-600kcmil CU Only cable. Also includes Neutral Lug, labels, blank filler and all hardware required.	11-D-2538-01
4MLKC3A	B	56	X							Revised P1 400A 3-phase Main or Feed-thru Lug Kit, CU connectors for two 1/0-4/0 or one #1/0-600kcmil CU Only cable. Also includes Neutral Lug, labels, blank filler and all hardware required.	11-D-2538-02
BBKB32	C	76		X	X					P2/P3 BL/BQD Branch Strap kit, uses 3" of unit space for 6 circuits total.	11-D-2267-01
BBKEB32	C	99			X					P3 NEB/HEB Twin Mount Branch Strap Kit, uses 3" of unit space for 6 circuits.	11-D-2310-01
BBKED32	C	96		X	X					P2/P3 ED Twin Mount Branch Strap Kit, uses 3" of unit space for 6 circuits.	11-D-2268-01
BBKGB32	C	96		X	X					P2/P3 xGB2 Twin Mount Branch Strap Kit, uses 3" of unit space for 6 circuits.	11-D-2756-01
BBKNB32	C	97		X	X					P2/P3 GB2 Twin Mount Branch Strap Kit, uses 3" of unit space for 6 circuits.	11-D-2311-01
BBKQ1	C	98		X						P2 QJ Twin Mount Branch Strap Kit, uses 6" of unit space for two 2-pole or 3-pole breakers.	11-D-2272-01
BBKQ2	C	99			X					P3 QJ Twin Mount Branch Strap Kit, uses 6" of unit space for two 2-pole or 3-pole breakers.	11-D-2274-01
BBKQR1	C	98		X						P2 QR Single Mount Branch Strap Kit, uses 6" of unit space for one 2-pole or 3-pole breaker.	11-D-2636-01
BBKQR2	C	100			X					P3 QR Twin Mount Branch Strap Kit, uses 6" of unit space for two 2-pole or 3-pole breakers.	11-D-2637-01

Addendum – Listing of all Field Installable Kits included

Addendum Index		Current Product						Old Product is no longer manufactured, some kits are available			Product Description	Drawing # ref
Kit Number	Addendum #	Page#	P1 Revised	P2	P3	C1	C2	P1 Original	S1, S2, SE			
BBKQRP1FK	A	37		X						P2 Deadfront Filler Kit - allows changing from QJ to QR Single Mount Breakers, Main/Subfeed/Branch locations, 1-phase or 3-phase, 2-pole or 3-pole	11-D-2644-01	
BBKQRP2FK	A	37		X						P2 Deadfront Filler Kit - allows changing from QJ to QR Twin Mount Breakers, 1-phase or 3-phase, 2-pole or 3-pole	11-D-2645	
BBKVA52P3HW	C	101			X					3VA52 Twin Mount P3 - Hardware Kit, one kit per breaker needed. Two are included with Strap kit BBKVA52P3T	11-D-2763-01	
BBKVA52P3T	C	100			X					P3 Twin Mount 3VA52 250A max. Strap Kit for Field installation. Mounts two 3VA52 breakers in 6" of unit space Nose-to-Nose. Includes two BBKVA52P3HW kits, one for each breaker.	11-D-2764-01	
BK1A	B	44	X							Revised P1 Bonding Kit including Service Disconnect Label	11-D-2473-01	
BNK2	C	94		X						BNK2 3-Step Lug Kit, for P2 neutrals and others. (14x #14-1/0 max and 14x #14-#6 max connections) - Kit includes mounting hardware and instructions.	11-A-1862	
BNK350N	C	94		X	X					Neutral Lug kit, Narrow 350 kcmil Lug with two mounting screws. Used in P2/P3 neutrals and other locations.	11-A-1869-61	
CNLK30A	B	45	X							Revised P1 250A Copper Neutral Lug Kit for 18 & 30 circuit interiors. Copper Line Lug and 2 Copper neutral strips (1/0 max.) included with hardware.	11-D-2533-01	
CNLK42A	B	45	X							Revised P1 250A Copper Neutral Lug Kit for 42 circuit interiors Copper Line Lug and 2 Copper neutral strips (1/0 max.) included with hardware.	11-D-2533-02	
CNLK54A	B	46	X							Revised P1 250A Copper Neutral Lug Kit for 54 & 66 circuit interiors. Copper Line Lug and 4 Copper neutral strips (1/0 max.) included with hardware.	11-D-2533-03	
DFFP01A	A	38	X			X		X		P1 Main Blank Filler Plate - 1 Piece (use for Original or Revised P1 - also replaces 12-A-1801-01) (Installs Vertical for 400A Main)	11-D-4560-61	
DFFP1	A	38	X	X	X	X	X	X	X	DFFP1 Blank filler , 1 inch snap-in, replaced old QF3 in Systems Products. Ref. old #12-1800-01	11-D-4554	
DFFP3	A	38		X	X					DFFP3 Kit includes 3 inch high Blank Deadfront filler plates for both P2 (11-D-3014-02) and P3 (11-D-3035-02). Hardware and installation instructions are also included.	11-D-2269-01	
DFFP6	A	38		X	X					DFFP6 Kit includes 6 inch high Blank Deadfront filler plates for both P2 (11-D-3014-01) and P3 (11-D-3035-01). Hardware and installation instructions are also included.	11-D-2270-01	
DFFPED01	A	39	X					X		P1 Main Filler 100-125A frames ED, BL/BQD or xGB (use for Original or Revised P1 and other applications)	12-A-1802-61	
DFFPFD01	A	39	X					X		FD Main Filler Plate for 1-Ph and 3-Ph P1 Panels (use for Original or Revised P1 and other applications)	12-A-1803-61	
DFFPJD01	A	39	X					X		JD Main Filler Plate for 1-Ph and 3-Ph P1 Panels (use for Original or Revised P1 and other applications)	11-D-4522-61	
DFFPQJ01	A	39	X					X		QJ Main Filler Plate for 3-Phase (3-pole) P1 Panels (use for Original or Revised P1 and other applications)	12-A-1804-61	
DFFPQJ02	A	39	X					X		QJ Main Filler Plate for 1-Phase (2-pole) P1 Panels (use for Original or Revised P1 and other applications)	12-A-1804-62	
DFK07	A	40		X	X					P2/P3 kit to replace center strips in the deadfront when breaker strap kits are changed or modified. Kit includes mounting hardware and center strip for 21" of unit space. (for BL/BQD/xGB/etc. sizes of breakers)	11-D-3018-67	
DFK08	A	40		X	X					"P2/P3 kit to replace center strips in the deadfront when breaker strap kits are changed or modified. Kit includes mounting hardware and center strip for 24" of unit space. (for BL/BQD/xGB/etc. sizes of breakers)	11-D-3018-68	
DFK1	A	40		X	X					P2/P3 kit to replace center strips in the deadfront when breaker strap kits are changed or modified. This kit includes mounting hardware and seven different lengths of center strip for 3" thru 21" of unit space. (for BL/BQD/xGB/etc. sizes of breakers)	11-D-2273-01	

Addendum – Listing of all Field Installable Kits included

Addendum Index			Current Product					Old Product is no longer manufactured, some kits are available			Product Description	Drawing # ref
Kit Number	Addendum #	Page#	P1 Revised	P2	P3	C1	C2	P1 Original	S1, S2, SE			
DFP3AP01	A	40		X	X					DFP3AP01 Kit for P2/P3 BL/BQD/ED/xGB/etc. breakers. This adapter plate is fills 3 inches of unit space on one side of the Deadfront to allow the smaller breakers to fit correctly.	11-D-3033-61	
EBF1	A	40			X					EBF1 Deadfront Filler Kit for NEB/HEB Breaker in a P3, includes one plastic filler plate and screw to cover 1" of unit space.	11-D-2312-01	
ECGK	A	36	X	X	X			X		ECGK Copper Ground Bus Kit, Connection count: (6) of #14-1/0 and (15) of #14-6 Connections (21 Holes total). Some connections allow multiple wires.	31-A-2006	
EGK	A	36	X	X	X			X		ECGK Al/Cu Ground Bus Kit, Connection count: (6) of #14-1/0 and (15) of #14-6 Connections (21 Holes total). Some connections allow multiple wires.	31-A-2006	
EWK1	A	35	X	X				X		P1/P2 NEMA Type 1 Endwall Kit (20.0W x 5.75D) with Knock-outs. Two per kit with hardware and instructions.	11-A-2075-01	
EWK1B	A	35	X	X				X		P1/P2 NEMA Type 1 Endwall Kit (20.0W x 5.75D) Blank, without Knock-outs. Two per kit with hardware and instructions.	11-A-3027-61	
EWK2	A	36	X	X				X		P1/P2 NEMA Type 1 Endwall Kit (24.0W x 5.75D) with Knock-outs. Two per kit with hardware and instructions.	11-A-2075-02	
EWK2B	A	36	X	X				X		P1/P2 NEMA Type 1 Endwall Kit (24.0W x 5.75D) Blank, without Knock-outs. Two per kit with hardware and instructions.	11-A-3033-61	
EWK3	A	36	X	X				X		P1/P2 NEMA Type 1 Endwall Kit (20.0W x 5.75D) with Opening Cutout for general purpose use. See B74FLR instruction sheet and literature. One per kit with hardware and instructions.	11-A-2207-01	
ICGK	A	37	X	X	X			X		ICGK Insulated Copper Ground Bus Kit, Connection count: (6) of #14-1/0 and (15) of #14-6 Connections (21 Holes total). Some connections allow multiple wires.	31-2011	
IGK	A	36	X	X	X			X		IGK Insulated Al/Cu Ground Bus Kit, Connection count: (6) of #14-1/0 and (15) of #14-6 Connections (21 Holes total). Some connections allow multiple wires.	31-2010	
IMK1	B	45	X	X	X			X		Interior Mounting Kit with Adjustment Provisions for P1/P2/P3	11-A-2024-01	
IMK1	C	94	X	X	X			X		Interior Mounting Kit with Adjustment Provisions for P1/P2/P3	11-A-2024-01	
LNLK30A	B	46	X							Revised P1 2/0 Neutral Lug Kit for 18 & 30 circuit interiors. Two Aluminum neutral strips included with hardware. For both 250A and 400A applications. 30 connections total, (8x 2/0 max and 22x #6 max.) CU or AL cable.	11-D-2535-01	
LNLK42A	B	46	X							Revised P1 2/0 Neutral Lug Kit for 42 circuit interiors. Two Aluminum neutral strips included with hardware. For both 250A and 400A applications. 46 connections total, (12x 2/0 max and 34x #6 max.) CU or AL cable.	11-D-2535-02	
LNLK54A	B	47	X							Revised P1 2/0 Neutral Lug Kit for 54 & 66 circuit interiors. Four Aluminum neutral strips included with hardware. For both 250A and 400A applications. 76 connections total (20x 2/0 max and 56x #6 max.) CU or AL cable.	11-D-2535-03	
LP3RHP01	A	35	X	X	X			X		3R/12 Hinge Pin, 0.188" dia. Steel w/Zinc plate (kit pending, not yet available) ref # 11-1902-01	11-1902	
LPDC01	A	35	X	X	X	X	X	X	X	Panelboard Directory Card. 5.5"X5", for 1-90 circuits. Mates with pouch # 11-1824-01	12-1110	
LPDC02	A	35	X	X	X	X	X	X	X	Panelboard Directory Vinyl Pouch, 6.3"x6.1". Mates with Directory Card #12-1110-01	11-1824	
LPJSPDNUT01	A	35	X	X	X	X	X	X	X	Replacement J-nuts for use with lighting panel fronts and deadfronts. Also used in miscellaneous other applications.	11-A-1820-61	
LPKEY01A	A	34	X	X	X	X	X	X		Key for standard Panelboard Lock series 1-1895-0x . Siemens FAS-Latch and other various fronts use this standard key #B363A	B363A	
LPKEY01B	A	34	X	X	X	X	X	X		Key for standard Panelboard Lock series 1-1895-0x . Siemens FAS-Latch and other various fronts use this standard key #B363A	B363A	

Addendum – Listing of all Field Installable Kits included

Addendum Index			Current Product					Old Product is no longer manufactured, some kits are available			Product Description	Drawing # ref
Kit Number	Addendum #	Page#	P1 Revised	P2	P3	C1	C2	P1 Original	S1, S2, SE			
LPLOCK01A	A	34	X	X	X	X	X	X		Siemens FAS-Latch Replacement Lock Kit with two B363A Keys, for 14 Gauge Steel, Lighting Panel Type 1 Fronts, various styles.	11-1895-61	
LPLOCK02A	A	34	O	O	O	O	O	O		Siemens FAS-Latch Replacement Lock Kit with two B363A Keys, for 12 Gauge Steel, Lighting Panel Type 1 Fronts, various styles.	11-1895-62	
LPLOCK03A	A	34	O	O	O	O	O	O		Siemens FAS-Latch Replacement Lock Kit with two B363A Keys, for 10 Gauge Steel, Lighting Panel Type 1 Fronts, various styles.	11-1895-63	
LPP2NB01	C	94		X						Lug 2-Step, for P2 neutrals and others. (3x #6-1/0 max and 18x #14-#6 max connections) (3x #6-1/0 max and 18x #14-#6 max connections) - Kit includes mounting hardware and instructions.	15-A-1800-61	
LPTS01	A	35	X	X	X	X	X	X	X	Trim Screw, Lighting Panel Front, 0.547" Length, ¼-20 Machine Screw Thread	11-A-1819	
MBKBC1NBA	B	35	X							Revised P1 BQD/xGB 1-Phase Main/SubFeed Strap Kit, Copper straps with hardware, Neutral Lug and filler.	11-D-2781-01	
MBKBC3NBA	B	59	X							Revised P1 BQD/GB 3-Phase Main/SubFeed Strap Kit, Copper straps with hardware, Neutral Lug and filler.	11-D-2781-02	
MBKBFA	B	60	X							Revised P1 BL/BQD/GB Back-fed Main Breaker Kit, allows placement of Main in Unit space.	11-D-2548-01	
MBKBL1A	B	59	X							Revised P1 BL 1-Phase Main/SubFeed Strap Kit, Copper straps with hardware, Neutral Lug and filler.	11-D-2780-01	
MBKBL3A	B	58	X							Revised P1 BL 3-Phase Main/SubFeed Strap Kit, Copper straps with hardware, Neutral Lug and filler.	11-D-2780-02	
MBKED1A	B	58	X							Revised P1 ED 1-Phase Main/SubFeed Strap Kit, Copper straps with hardware, Neutral Lug and filler.	11-D-2547-01	
MBKED3100A	B	60	X							Revised P1 Main/Subfeed Breaker Kit, 3PH 100A 480V @18kA, 240V @65kA, with ED43B100 Breaker installed into Strap kit #MBKED3A	see instruction sheet	
MBKED3125A	B	68	X							Revised P1 Main/Subfeed Breaker Kit, 3PH 125A 480V @18kA, 240V@65kA, with ED43B125 Breaker installed into Strap kit #MBKED3A	see instruction sheet	
MBKED3A	B	66	X							Revised P1 ED 3-Phase Main/SubFeed Strap Kit, Copper straps with hardware, Neutral Lug and filler.	11-D-2547-02	
MBKFD1A	B	61	X							Revised P1 FD Main/Subfeed Breaker Kit, 1-phase, Copper straps with hardware, Neutral Lug and filler.	11-D-2545-01	
MBKFD3150A	B	64	X							Revised P1 Main/Subfeed Breaker Kit, 3PH 150A 480V @35kA, 240V @65kA with FXD63B150 Breaker installed in kit #MBKFD3A	see instruction sheet	
MBKFD3175A	B	68	X							Revised P1 Main/Subfeed Breaker Kit, 3PH 175A 480V @35kA, 240V @65kA with FXD63B175 Breaker installed in kit #MBKFD3A	see instruction sheet	
MBKFD3200A	B	68	X							Revised P1 Main/Subfeed Breaker Kit, 3PH 200A 480V @35kA, 240V @65kA with FXD63B200 Breaker installed in kit #MBKFD3A	see instruction sheet	
MBKFD3225A	B	68	X							Revised P1 Main/Subfeed Breaker Kit, 3PH 225A 480V @35kA, 240V @65kA with FXD63B225 Breaker installed in kit #MBKFD3A	see instruction sheet	
MBKFD3250A	B	68	X							Revised P1 Main/Subfeed Breaker Kit, 3PH 250A 480V @35kA, 240V @65kA with FXD63B250 Breaker installed in kit #MBKFD3A	see instruction sheet	
MBKFD3A	B	64	X							Revised P1 FD Main/Subfeed Breaker Kit, 3-phase, Copper straps with hardware, Neutral Lug and filler.	11-D-2545-02	
MBKJD12300A	B	68	X							Revised P1 Main Breaker Kit, 1PH 300A 240V @65KA with JXD22B300 Breaker installed in kit #MBKJD1A (not for use as Subfeed). Also includes Lug kit #TA2J6500.	see instruction sheet	
MBKJD12400A	B	69	X							Revised P1 Main Breaker Kit, 1PH 400A 240V @65KA with JXD22B400 Breaker installed in kit #MBKJD1A (not for use as Subfeed). Also includes Lug kit #TA2J6500.	see instruction sheet	
MBKJD1300A	B	68	X							Revised P1 Main Breaker Kit, 1PH 300A 480V @35kA, 240V @65kA with JXD62B300 Breaker installed in kit #MBKJD1A (not for use as Subfeed). Also includes Lug kit #TA2J6500.	see instruction sheet	
MBKJD1400A	B	68	X							Revised P1 Main Breaker Kit, 1PH 400A 480V @35kA, 240V @65kA with JXD62B400 Breaker installed in kit #MBKJD1A (not for use as Subfeed). Also includes Lug kit #TA2J6500.	see instruction sheet	

Addendum – Listing of all Field Installable Kits included

Addendum Index			Current Product					Old Product is no longer manufactured, some kits are available		Product Description	Drawing # ref
Kit Number	Addendum #	Page#	P1 Revised	P2	P3	C1	C2	P1 Original	S1, S2, SE		
MBKJD1A	B	65	X							Revised P1 JD Main/Subfeed Breaker Kit, 1-phase, Copper straps with hardware, Neutral Lug and filler.	11-D-2541-01
MBKJD32300A	B	69	X							Revised P1 Main Breaker Kit, 3PH 300A 240V @65KA with JXD23B300 Breaker installed in kit #MBKJD3A (not for use as Subfeed). Also includes Lug kit #TA2J6500.	see instruction sheet
MBKJD32400A	B	69	X							Revised P1 Main Breaker Kit, 3PH 400A 240V @65KA JXD23B400 Breaker installed in kit #MBKJD3A (not for use as Subfeed). Also includes Lug kit #TA2J6500.	see instruction sheet
MBKJD3300A	B	68	X							Revised P1 Main Breaker Kit, 3PH 300A 480V @35KA, 240V @65KA with JXD63B300 Breaker installed in kit #MBKJD3A (not for use as Subfeed). Also includes Lug kit #TA2J6500.	see instruction sheet
MBKJD3400A	B	68	X							Revised P1 Main Breaker Kit, 3PH 400A 480V @35KA, 240V @65KA with JXD63B400 Breaker installed in kit #MBKJD3A (not for use as Subfeed). Also includes Lug kit #TA2J6500.	see instruction sheet
MBKJD3A	B	62	X							Revised P1 JD Main/Subfeed Breaker Kit, 3-phase, Copper straps with hardware, Neutral Lug and filler.	11-D-2541-02
MBKQJ1A	B	62	X							Revised P1 QJ 1-Phase Main/SubFeed Strap Kit, Copper straps with hardware, Neutral Lug and filler. For 250A panels and Subfeed-only 400A Panels	11-D-2546-01
MBKQJ3A	B	62	X							Revised P1 QJ 3-Phase Main/SubFeed Strap Kit, Copper straps with hardware Neutral Lug and filler. For 250A panels and Subfeed-only 400A Panels	11-D-2546-02
MBKQR1125A	B	67	X							Revised P1 Main/Subfeed Breaker Kit, 1PH 125A 240V @ 10KA with QR22B125 Breaker installed in kit # MBKQR1A	see instruction sheet
MBKQR1125HA	B	67	X							Revised P1 Main/Subfeed Breaker Kit, 1PH 125A 240V @65KA with HQR22B125 Breaker installed in kit #MBKQR1A	see instruction sheet
MBKQR1150A	B	67	X							Revised P1 Main/Subfeed Breaker Kit, 1PH 150A 240V @10KA with QR22B150 Breaker installed in kit #MBKQR1A	see instruction sheet
MBKQR1150HA	B	67	X							Revised P1 Main/Subfeed Breaker Kit, 1PH 150A 240V @65KA with HQR22B150 Breaker installed in kit #MBKQR1A	see instruction sheet
MBKQR1175A	B	67	X							Revised P1 Main/Subfeed Breaker Kit, 1PH 175A 240V @10KA with QR22B175 Breaker installed in kit #MBKQR1A	see instruction sheet
MBKQR1175HA	B	67	X							Revised P1 Main/Subfeed Breaker Kit, 1PH 175A 240V @65KA with HQR22B175 Breaker installed in kit #MBKQR1A	see instruction sheet
MBKQR1200A	B	67	X							Revised P1 Main/Subfeed Breaker Kit, 1PH 200A 240V @10KA with QR22B200 Breaker installed in kit #MBKQR1A	see instruction sheet
MBKQR1200HA	B	67	X							Revised P1 Main/Subfeed Breaker Kit, 1PH 200A 240V @65KA with HQR22B200 Breaker installed in kit #MBKQR1A	see instruction sheet
MBKQR1225A	B	67	X							Revised P1 Main/Subfeed Breaker Kit, 1PH 225A 240V @10KA with QR22B225 Breaker installed in kit #MBKQR1A	see instruction sheet
MBKQR1225HA	B	67	X							Revised P1 Main/Subfeed Breaker Kit, 1PH 225A 240V @65KA with HQR22B225 Breaker installed in kit #MBKQR1A	see instruction sheet
MBKQR1A	B	63	X							Revised P1 QR Main/Subfeed Breaker Kit, 1-phase, Copper straps with hardware, Neutral Lug and filler.	11-D-2635-01
MBKQR3125A	B	67	X							Revised P1 Main/Subfeed Breaker Kit, 3PH 125A 240V @10KA with QR23B125 Breaker installed in kit #MBKQR3A	see instruction sheet
MBKQR3125HA	B	67	X							Revised P1 Main/Subfeed Breaker Kit, 3PH 125A 240V @65KA with HQR23B125 Breaker installed in kit #MBKQR3A	see instruction sheet
MBKQR3150A	B	67	X							Revised P1 Main/Subfeed Breaker Kit, 3PH 150A 240V @10KA with QR23B150 Breaker installed in kit #MBKQR3A	see instruction sheet
MBKQR3150HA	B	68	X							Revised P1 Main/Subfeed Breaker Kit, 3PH 150A 240V @65KA with HQR23B150 Breaker installed in kit #MBKQR3A	see instruction sheet
MBKQR3175A	B	67	X							Revised P1 Main/Subfeed Breaker Kit, 3PH 175A 240V @10KA with QR23B175 Breaker installed in kit #MBKQR3A	see instruction sheet

Addendum – Listing of all Field Installable Kits included

Addendum Index			Current Product					Old Product is no longer manufactured, some kits are available			Product Description	Drawing # ref
Kit Number	Addendum #	Page#	P1 Revised	P2	P3	C1	C2	P1 Original	S1, S2, SE			
MBKQR3175HA	B	68	X							Revised P1 Main/Subfeed Breaker Kit, 3PH 175A 240V @65KA with HQR23B175 Breaker installed in kit #MBKQR3A	see instruction sheet	
MBKQR3200A	B	69	X							Revised P1 Main/Subfeed Breaker Kit, 3PH 200A 240V @10KA with QR23B200 Breaker installed in kit #MBKQR3A	see instruction sheet	
MBKQR3200HA	B	68	X							Revised P1 Main/Subfeed Breaker Kit, 3PH 200A 240V @65KA with HQR23B200 Breaker installed in kit #MBKQR3A	see instruction sheet	
MBKQR3225A	B	67	X							Revised P1 Main/Subfeed Breaker Kit, 3PH 225A 240V @10KA with QR23B225 Breaker installed in kit #MBKQR3A	see instruction sheet	
MBKQR3225HA	B	68	X							Revised P1 Main/Subfeed Breaker Kit, 3PH 225A 240V @65KA with HQR23B225 Breaker installed in kit #MBKQR3A	see instruction sheet	
MBKQR3A	B	63	X							Revised P1 QR Main/Subfeed Breaker Kit, 3-phase, Copper straps with hardware, Neutral Lug and filler.	11-D-2635-02	
MBKQRFK	A	41	X					X		P1/Revised P1 Filler for 1PH/3PH QR. Horizontal Mount only.	11-D-2643-01	
MCHK	A	35	X	X	X	X	X	X	X	MCHK - Metal Card Holder Kit - Field Installable	12-A-2098-00	
MLKA1A	B	52	X							Revised P1 250A 1-phase Main or Feed-thru Lug Kit, AL connectors for #6-350kcmil CU or AL cable.	11-D-2531-01	
MLKA3A	B	50	X							Revised P1 250A 3-phase Main or Feed-thru Lug Kit, AL connectors for #6-350kcmil CU or AL cable.	11-D-2531-02	
MLKC1A	B	51	X							Revised P1 250A Copper 1-phase Main or Feed-thru Lug Kit, CU connectors for #6-350kcmil CU only cable.	11-D-2532-01	
MLKC3A	B	52	X							Revised P1 250A Copper 3-phase Main or Feed-thru Lug Kit, CU connectors for #6-350kcmil CU only cable.	11-D-2532-02	
NBK03	A	41	X					X		Number Strips 1–42. Stick-on type; Use w/ P1 series Panels	11-A-2009-03	
NBK04	A	41	X					X		Number Strips 43–84. Stick-on type; Use w/ P1 series Panels	11-A-2009-04	
NBK05	A	41	X					X		Number Strips 85–126. Stick-on type; Use w/ P1 series Panels	11-A-2009-05	
NBK06	A	41	X					X		Number Strips 127–168. Stick-on type; Use w/ P1 series Panels	11-A-2009-06	
NBK07	A	41	X					X		Number Strips 169-210. Stick-on type; Use w/ P1 series Panels	11-A-2009-07	
NBK08	A	41	X					X		Number Strips 211-252. Stick-on type; Use w/ P1 series Panels	11-A-2009-08	
NBK3	A	41		X	X	X	X			Press-in Number Kit 1-42 P2/P3 Panelboards	11-A-2A02-03	
NBK4	A	41		X	X	X	X			Press-in Number Kit 43-84 P2/P3 Panelboards	11-A-2A02-04	
NBK5	A	41		X	X	X	X			Press-in Number Kit 85-126 P2/P3 Panelboards	11-A-2A02-05	
NBK6	A	42		X	X	X	X			Press-in Number Kit 127-168 P2/P3 Panelboards	11-A-2A02-06	
NBK7	A	42		X	X	X	X			Press-in Number Kit 169-210 P2/P3 Panelboards	11-A-2A02-07	
NBK8	A	42		X	X	X	X			Press-in Number Kit 211-252 P2/P3 Panelboards	11-A-2A02-08	
P1CONACPHCU	B	44	X							RP1 A/C-Phase Replacement Copper Connectors, Kit of 6 pcs plus mounting hardware. Also can be used to replaced AL A/C-Phase Connectors.	11-D-2572-02	
P1CONBPHAL	B	44	X							RP1 B-Phase Replacement Aluminum Connectors, Kit of 6 pcs plus mounting hardware	11-D-2573-01	
P1CONBPHCU	B	44	X							RP1 B-Phase Replacement Copper Connectors, Kit of 6 pcs plus mounting hardware	11-D-2573-02	
P1SCRWS	B	44	X					X		P1 Branch breaker mounting screws - pack of 42 screws, part #11-A-1505-03, 10-32 x 0.312" Hex Washer Head Screw - Do Not Substitute	11-A-2010-01	

Addendum – Listing of all Field Installable Kits included

Addendum Index			Current Product					Old Product is no longer manufactured, some kits are available		Product Description Note: Some kits apply to only specific enclosures used or configurations of the product listed	Drawing # ref
Kit Number	Addendum #	Page#	P1 Revised	P2	P3	C1	C2	P1 Original	S1, S2, SE		
P2BK1	C	95		X						P2 250A Max Horiz. MB Bonding Strap Kit	11-D-2068-01
P2BK2	C	95		X						P2 125A max. Main Lug Bonding Strap Assembly	11-D-2068-02
P2BK3	C	95		X						P2 250-600A MLO and all Vert MB Bonding Kit	11-D-2068-03
P3BK1	C	95			X					P3 Bonding Kit for all MLO and MB selections	11-D-2204-01
SEBKP1P2P3V1	B	70	X	X	X			X		Service Entrance Barrier Kit, (RP1, P1, P2, P3), JD/LD Vert Main	11-D-2740-01
SEBKP1P2P3V1	C	111	X	X	X			X		Service Entrance Barrier Kit, (RP1, P1, P2, P3), JD/LD Vert Main	11-D-2740-01
SEBKP2V1	C	111		X						Service Entrance Barrier Kit, P2 BL/BQD	11-D-2733-01
SEBKP2V2	C	109		X	X					Service Entrance Barrier Kit, P2 xGB Main	11-D-2734-01
SEBKP2V3	C	110		X	X					Service Entrance Barrier Kit, (P2, P2 with SEM3, P3), FD/QJ/QR Horiz. Main	11-D-2735-01
SEBKP2V4	C	110		X	X					Service Entrance Barrier Kit, (P2, P2 w/SEM3, P3) FD/QJ/QR Vert Main	11-D-2736-01
SEBKP2V5	C	110		X						Service Entrance Barrier Kit, (P2, P2 w/SEM3) ED Horiz. Main	11-D-2738-01
SEBKP2V6	C	111		X						Service Entrance Barrier Kit, (P2, P2 w/SEM3) ED Vert Main	11-D-2739-01
SEBKP3V1	C	111			X					Service Entrance Barrier Kit, P3 FD Vertical Main	11-D-2737-01
SEBKRP1V1	B	69	X							Service Entrance Barrier Kit, RP1, FD/QJ/QR Horiz. Main	11-D-2729-01
SEBKRP1V2	B	69	X							Service Entrance Barrier Kit, RP1, ED Horiz. Main	11-D-2730-01
SEBKRP1V3	B	69	X							Service Entrance Barrier Kit, RP1, BL/BQD (back-fed) Horiz. Main in Branch Space	11-D-2731-01
SEBKRP1V4	B	70	X							Service Entrance Barrier Kit, RP1, xGB (back-fed) Horiz. Main in Branch Space	11-D-2732-01
SEBKRP1V5	B	70	X							Service Entrance Barrier Kit, RP1, BL/BQD/xGB Horiz. Main in Main Space	11-D-2785-01

Kits and Parts for Legacy Products are listed, but may not be available for purchase. Check with Customer Support.

Addendum Index			Current Product					Old Product is no longer manufactured, some kits are available			Drawing # ref
Kit Number	Addendum #	Page#	P1 Revised	P2	P3	C1	C2	P1 Original	S1, S2, SE	Product Description Note: Some kits apply to only specific enclosures used or configurations of the product listed	
2NLK18	B	72						X		Original P1 200% Neutral Lug Kit for 18 circuit interiors. Line and load lugs included with hardware.	11-A-2073-01
2NLK2	C	109							X	200% Neutral Lug Kit for 250A S1/S2/SE Panels	11-A-2139-01
2NLK30	B	72						X		Original P1 200% Neutral Lug Kit for 30 circuit interiors. Line and load lugs included with hardware.	11-A-2073-02
2NLK42	B	73						X		Original P1 200% Neutral Lug Kit for 42 circuit interiors. Line and load lugs included with hardware.	11-A-2073-03
42NLK18	B	73						X		400A Original P1 200% Neutral Lug Kit for 18 circuit interiors. Line and load lugs included with hardware.	11-D-2029-01
42NLK30	B	74						X		400A Original P1 200% Neutral Lug Kit for 30 circuit interiors. Line and load lugs included with hardware.	11-D-2029-02
42NLK42	B	74						X		400A Original P1 200% Neutral Lug Kit for 42 circuit interiors. Line and load lugs included with hardware.	11-D-2029-03
4MLKA1	B	77						X		Original P1 400A 1-phase Main or Feed-thru Lug Kit, AL connectors for two 1/0-250kcmil or one #2-600kcmil AL or CU cable. Also includes Neutral Lug, labels, blank filler and all hardware required.	11-D-2026-01
4MLKA3	B	78						X		Original P1 400A 3-phase Main or Feed-thru Lug Kit, AL connectors for two 1/0-250kcmil or one #2-600kcmil AL or CU cable. Also includes Neutral Lug, labels, blank filler and all hardware required.	11-D-2025-01
4MLKC1	B	79						X		Original P1 400A Copper 1-phase Main or Feed-thru Lug Kit, CU connectors for two 1/0-250kcmil or one #2-600kcmil CU only cable. Also includes Neutral Lug, labels, blank filler and all hardware required.	11-D-2036-01
4MLKC3	B	80						X		Original P1 400A Copper 3-phase Main or Feed-thru Lug Kit, CU connectors for two 1/0-250kcmil or one #2-600kcmil CU only cable. Also includes Neutral Lug, labels, blank filler and all hardware required.	11-D-2036-02
BK1	B	71						X	X	Bonding Kit for S1/S2/P1 250A and P1 400A Panelboards. Includes Bonding screw and Service Disconnect Label	11-A-2071-01
BK2	C	101							X	Bonding Kit for S1/S2/SE Panels including Service Disconnect Label	11-A-2125-01
BK3	C	102							X	Bonding Kit for S3 Horizontal and Vertical Mains	11-A-2084-01
CNLK18	B	71						X		Original P1 Copper Neutral Lug Kit for 18 circuit interiors. Line and load lugs included with hardware.	11-A-2072-01
CNLK30	B	71						X		Original P1 Copper Neutral Lug Kit for 30 circuit interiors. Line and load lugs included with hardware.	11-A-2072-02
CNLK42	B	71						X		Original P1 Copper Neutral Lug Kit for 42 circuit interiors. Line and load lugs included with hardware.	11-A-2072-03
EMLKA3	C	102							X	S1/S2/SE Main Lug Kit, 3-Phase, 250A max. (also use for 1-Phase applications)	12-A-2145-04
MBKBC3	B	83						X	X	Original P1 BQD 1PH or 3-Phase Main/SubFeed Strap Kit, Copper straps with hardware, Neutral Lug and filler. (also works with S1/S2 250A PB)	12-A-2114-01 12-A-2112-02
MBKBL1	B	81						X	X	Original P1 BL 1-Phase Main/SubFeed Strap Kit, Copper straps with hardware, Neutral Lug and filler. (also works with S1/S2 250A PB)	12-A-2106-01 12-A-2088-03
MBKBL3	B	82						X	X	Original P1 BL 3-Phase Main/SubFeed Strap Kit, Copper straps with hardware, Neutral Lug and filler. (also works with S1/S2 250A PB)	12-A-2106-01 12-A-2088-04
MBKED1	B	85						X	X	Original P1 ED 1-Phase Main/SubFeed Strap Kit, Copper straps with hardware, Neutral Lug and filler. (also works with S1/S2 250A PB)	12-A-2103-01 12-A-2089-03
MBKED3	B	85						X	X	Original P1 ED 3-Phase Main/SubFeed Strap Kit, Copper straps with hardware, Neutral Lug and filler. (also works with S1/S2 250A PB)	12-A-2103-02 12-A-2089-04
MBKED3100	B	91						X		Original P1 Main/Subfeed Breaker Kit, 3PH 100A 480V @18kA, 240V @65kA, with ED43B100 Breaker installed into Strap kit #MBKED3	see instruction sheet
MBKED3125	B	91						X		Original P1 Main/Subfeed Breaker Kit, 3PH 125A 480V @18kA, 240V @65kA, with ED43B125 Breaker installed into Strap kit #MBKED3	see instruction sheet

Kits and Parts for Legacy Products are listed, but may not be available for purchase. Check with Customer Support.

Addendum Index			Current Product					Old Product is no longer manufactured, some kits are available			Drawing # ref
Kit Number	Addendum #	Page#	P1 Revised	P2	P3	C1	C2	P1 Original	S1, S2, SE	Product Description	
MBKFD1	B	88						X	X	Original P1 FD 1-Phase Main/SubFeed Strap Kit, Copper straps with hardware, Neutral Lug and filler. (also works with S1/S2 250A PB)	12-A-2090-03
MBKFD3	B	89						X	X	Original P1 FD 3-Phase Main/SubFeed Strap Kit, Copper straps with hardware, Neutral Lug and filler. (also works with S1/S2 250A PB)	12-A-2090-04
MBKFD3150	B	91						X		Original P1 Main/Subfeed Breaker Kit, 3PH 150A 480V @35kA, 240V @65kA with FXD63B150 Breaker installed in kit #MBKFD3	see instruction sheet
MBKFD3175	B	91						X		Original P1 Main/Subfeed Breaker Kit, 3PH 175A 480V @35kA, 240V @65kA with FXD63B175 Breaker installed in kit #MBKFD3	see instruction sheet
MBKFD3200	B	91						X		Original P1 Main/Subfeed Breaker Kit, 3PH 200A 480V @35kA, 240V @65kA with FXD63B200 Breaker installed in kit #MBKFD3	see instruction sheet
MBKFD3225	B	91						X		Original P1 Main/Subfeed Breaker Kit, 3PH 225A 480V @35kA, 240V @65kA with FXD63B225 Breaker installed in kit #MBKFD3	see instruction sheet
MBKFD3250	B	91						X		Original P1 Main/Subfeed Breaker Kit, 3PH 250A 480V @35kA, 240V @65kA with FXD63B250 Breaker installed in kit #MBKFD3	see instruction sheet
MBKJD1	B	89						X		Original P1 JD 1-Phase Main Strap Kit, Copper straps with hardware, Neutral Lug and filler. Not for Revised P1. Not for Subfeed.	11-D-2016-01
MBKJD12300	B	92						X		Original P1 Main Breaker Kit, JXD2, 1PH 300A 240V @65kA with JXD22B300 Breaker installed in kit #MBKJD1 (not for use as Subfeed)	see instruction sheet
MBKJD12400	B	92						X		Original P1 Main Breaker Kit, JXD2, 1PH 400A 240V @65kA with JXD22B400 Breaker installed in kit #MBKJD1 (not for use as Subfeed)	see instruction sheet
MBKJD1300	B	91						X		Original P1 Main Breaker Kit, JXD6, 1PH 300A 480V @35kA, 240V @65kA with JXD62B300 Breaker installed in kit #MBKJD1 (not for use as Subfeed)	see instruction sheet
MBKJD1400	B	92						X		Original P1 Main Breaker Kit, JXD6, 1PH 400A 480V @35kA, 240V @65kA with JXD62B400 Breaker installed in kit #MBKJD1 (not for use as Subfeed)	see instruction sheet
MBKJD3	B	90						X		Original P1 JD 3-Phase Main Strap Kit, Copper straps with hardware, Neutral Lug and filler. Not for Revised P1.	11-D-2016-01
MBKJD32300	B	92						X		Original P1 Main Breaker Kit, JXD2, 3PH 300A 240V @65kA with JXD23B300 Breaker installed in kit #MBKJD3 (not for use as Subfeed)	see instruction sheet
MBKJD32400	B	92						X		Original P1 Main Breaker Kit, JXD2, 3PH 400A 240V @65kA with JXD23B400 Breaker installed in kit #MBKJD3 (not for use as Subfeed)	see instruction sheet
MBKJD3300	B	91						X		Original P1 Main Breaker Kit, JXD6, 3PH 300A 480V @35kA, 240V @65kA with JXD63B300 Breaker installed in kit #MBKJD3 (not for use as Subfeed)	see instruction sheet
MBKJD3400	B	92						X		Original P1 Main Breaker Kit, JXD6, 3PH 400A 480V @35kA, 240V @65kA with JXD63B400 Breaker installed in kit #MBKJD3 (not for use as Subfeed)	see instruction sheet
MBKNB1	B	82						X	X	Original P1 xGB 1-Phase Main/SubFeed Strap Kit, Copper straps with hardware, Neutral Lug and filler. (also works with S1/S2 250A PB)	12-A-2301-01 12-A-2300-03
MBKNB3	B	84						X	X	Original P1 xGB 3-Phase Main/SubFeed Strap Kit, Copper straps with hardware, Neutral Lug and filler. (also works with S1/S2 250A PB)	12-A-2301-02 12-A-2300-04
MBKQJ3	B	86						X	X	Original P1 or S1 QJ Main/Subfeed Breaker Kit, 3-phase, Copper straps with hardware, Neutral Lug and filler. QJ is obsolete - see QR kits for replacements when needed.	12-A-2102-02
MBKQR1	B	87						X	X	Original P1 QR 1-Phase Main/SubFeed Strap Kit, Copper straps with hardware, Neutral Lug and filler. (also works with S1/S2 250A PB)	11-D-2642-01
MBKQR3	B	97						X	X	Original P1 QR 3-Phase Main/SubFeed Strap Kit, Copper straps with hardware, Neutral Lug and filler. (also works with S1/S2 250A PB)	11-D-2642-02
MLKA1	B	75						X	X	Original P1/S1/S2 250A 1-phase Main or Feed-thru Lug Kit, AL connectors for #6-350kcmil AL or CU cable.	12-A-2105-01
MLKA3	B	75						X	X	Original P1/S1/S2 250A 3-phase Main or Feed-thru Lug Kit, AL connectors for #6-350kcmil AL or CU cable.	12-A-2105-02
MLKC1	B	76						X	X	Original P1/S1/S2 250A 1-phase Main or Feed-thru Lug Kit, CU connectors for #6-350kcmil CU only cable.	12-A-2105-03
MLKC3	B	77						X	X	Original P1/S1/S2 250A 3-phase Main or Feed-thru Lug Kit, CU connectors for #6-350kcmil CU only cable.	12-A-2105-04

Kits and Parts for Legacy Products are listed, but may not be available for purchase. Check with Customer Support.

Addendum Index			Current Product					Old Product is no longer manufactured, some kits are available			Drawing # ref
Kit Number	Addendum #	Page#	P1 Revised	P2	P3	C1	C2	P1 Original	S1, S2, SE	Product Description Note: Some kits apply to only specific enclosures used or configurations of the product listed	
SMBKED1	C	102							X	ED 1-Phase Main/Sub-feed Strap Kit, Copper straps with hardware, Neutral Lug and filler. (works with S1/S2 400-600A and all SE panels)	12-A-2157-03
SMBKED3	C	102							X	ED 3-Phase Main/Sub-feed Strap Kit, Copper straps with hardware, Neutral Lug and filler. (works with S1/S2 400-600A and all SE panels)	12-A-2157-04
SMBKFD1	C	104							X	FD 1-Phase Main/Sub-feed Strap Kit, Unplated Copper straps with hardware, Neutral Lug and filler. (works with S1/S2 400-600A and all SE panels)	12-A-2156-00
SMBKFD3	C	104							X	FD 3-Phase Main/Sub-feed Strap Kit, Unplated Copper straps with hardware, Neutral Lug and filler. (works with S1/S2 400-600A and all SE panels)	12-A-2156-00
SMBKJD1	C	105							X	JD 1-Phase Main/Sub-feed Strap Kit, Unplated Copper straps (2-part taped straps) with hardware, Neutral Lug and filler. (works with S1/S2 400-600A and all SE panels)	12-A-2141-03
SMBKJD3	C	106							X	JD/LD 3-Phase Main/Sub-feed Strap Kit, Unplated Copper straps (2-part taped straps) with hardware, Neutral Lug and filler. (works with S1/S2 400-600A and all SE panels)	12-A-2141-04
SMBKQJ3	C	107							X	QJ 3-Phase Sub-feed only Strap Kit, Allows for one or two QJ breakers in sub-feed position only. Unplated Copper straps with hardware, Neutral Lug and filler. (works with S1/S2 400-600A and all SE panels) Will not work with QR breakers.	12-A-2142-08
SMLKA1	C	108							X	S1/S2/SE Main Lug Kit, 1-Phase, 400A and 600A	12-A-2143-03
SMLKA3	C	108							X	S1/S2/SE Main Lug Kit, 3-Phase, 400A and 600A	12-A-2143-04

Addendum A:

P1/P2/P3 Enclosure and Deadfront Related Kits

Summary:

- Addendum A includes a List of most Enclosure or Deadfront related kits and a breakdown of the Bill of Material in each kit.

Distributor Kit Reference # Information

- The Kit number row shows the Assembly number for the kit and related drawing reference.
- The Part/Kit Descriptions have been enhanced to add more details and information for sales and customers to better understand the Part/Kit.

Base Reference # Information

- The Reference number row shows the Drawing # for the Part and the Part Qty in this kit.
- The Part/Kit Descriptions have been enhanced to add more details and information for sales and customers to better understand the Part/Kit.

Distributor Kit/Pack information

- For each Reference Part number - there may be additional information in the Distributor Columns such as:
 - a) A Catalog number that can be purchased that includes one or more of the reference parts on that row.
 - b) The Qty of the reference part that is in the kit shown
 - c) An enhanced description of the part with additional data if relevant, such as size, material, where/how part is generally used.

Special notes:

- 1) Many rows show "na" in many columns. This basically means "Not Available", there are no readily available Catalog numbers for the reference part on that row. In some cases additional information is provided about the part or other Kits that may include the part.
- 2) Hardware Items such as Screws, Nuts, Bolts and Washers typically have no saleable kits and therefore Customer Support may need to be contacted for availability of these items. When Saleable Kits are available they will be shown.
- 3) Instruction Sheet Reference Drawing numbers are show to help find Instruction sheets online when needed, usually searching for the "catalog" number is the best way to find the instruction sheets online.
- 4) Occasionally Bills of Material (BOMs) are changed for various reasons. These pages represent the current BOMs when this document was created and should be considered as a guide to replacement parts. Changes to BOMs can occur over time and availability of parts and/or kits are not guaranteed by this document. This is a reference only, to assist in finding relevant information when replacement parts are needed.

Addendum A: P1/P2/P3 - Interior Steel, Deadfront Supports, Base Rails, DF Side Rails

Distributor Kit # ref.	Base Part/ Assembly Reference #	Drawing # Ref	Kit Qty.	Kit or Part Description with additional info	Distributor Kit #	Dist Pack Qty.	Distributor Pack Description or additional info
LPLOCK01A	11-1895-61	11-1895-61	1 kit	Siemens FAS-Latch Replacement Lock Kit with two B363A Keys, for 14 Gauge Steel, Lighting Panel Type 1 Fronts, various styles.	LPLOCK01A	1 kit	Siemens FAS-LatchReplacement Lock Kit with two B363A Keys, for 14 Gauge Steel, Lighting Panel Type 1 Fronts, various styles.
	11-1895-01	11-1895	1	Siemens FAS-Latch Lock without Keys, for 14 Gauge Steel, Lighting Panel Type 1 Fronts, various styles.	LPLOCK01A	1 kit	Siemens FAS-LatchReplacement Lock Kit with two B363A Keys, for 14 Gauge Steel, Lighting Panel Type 1 Fronts, various styles.
	8363A	B363A	2	Key for standard Panelboard Lock series 1-1895-Ox. Siemens FAS-Latch and other various fronts use this standard key #B363A.	LPKEY01A	4	Kit of 4 Replacement Keys for standard Panelboard Lock series 1-1895-Ox. Used in Siemens FAS-Latch and other various fronts. Standard key #B363A.
					LPKEY01B	25	Kit of 25 Replacement Keys for standard Panelboard Lock series 1-1895-Ox. Used in Siemens FAS-Latch and other various fronts. Standard key #B363A.
	11-A-1175-01	11-A-1175	1	Instruction Sheet for Type 1 panel lock replacement LPLOCK01A/-02A/-03A	See online Kit instruction sheets when needed		
LPLOCK02A	11-1895-62	11-1895-62	1 kit	Siemens FAS-Latch Replacement Lock Kit with two B363A Keys, for 12 Gauge Steel, Lighting Panel Type 1 Fronts, various styles.	LPLOCK01A	1 kit	Siemens FAS-Latch Replacement Lock Kit with two B363A Keys, for 12 Gauge Steel, Lighting Panel Type 1 Fronts, various styles.
	11-1895-02	11-1895	1	Siemens FAS-Latch Lock without Keys, for 12 Gauge Steel, Lighting Panel Type 1 Fronts, various styles.	LPLOCK02A	1 kit	Siemens FAS-Latch Replacement Lock Kit with two B363A Keys, for 12 Gauge Steel, Lighting Panel Type 1 Fronts, various styles.
	B363A	B363A	2	Key for standard Panelboard Lock series 1-1895-Ox .Siemens FAS-Latch and other various fronts use this standard key #B363A.	LPKEY01A	4	Kit of 4 Replacement Keys for standard Panelboard Lock series 1-1895-Ox. Used in Siemens FAS-Latch and other various fronts. Standard key #B363A.
					LPKEY01B	25	Kit of 25 Replacement Keys for standard Panelboard Lock series 1-1895-Ox. Used in Siemens FAS-Latch and other various fronts. Standard key #B363A.
LPLOCK03A	11-1895-63	11-1895-63	1 kit	Siemens FAS-Latch Replacement Lock Kit with two B363A Keys, for 10 Gauge Steel, Lighting Panel Type 1 Fronts, various styles.	LPLOCK03A	1 kit	Siemens FAS-Latch Replacement Lock Kit with two B363A Keys, for 10 Gauge Steel, Lighting Panel Type 1 Fronts, various styles.
	11-1895-03	11-1895	1	Siemens FAS-Latch Lock without Keys, for 10 Gauge Steel, Lighting Panel Type 1 Fronts, various styles.	LPLOCK03A	1 kit	Siemens FAS-Latch Replacement Lock Kit with two B363A Keys, for 10 Gauge Steel, Lighting Panel Type 1 Fronts, various styles.
	B363A	B363A	2	"Key for standard Panelboard Lock series 1-1895-Ox . Siemens FAS-Latch and other various fronts use this standard key #B363A"	LPKEY01A	4	Kit of 4 Replacement Keys for standard Panelboard Lock series 1-1895-Ox. Used in Siemens FAS-Latch and other various fronts. Standard key #B363A.
					LPKEY01B	25	Kit of 25 Replacement Keys for standard Panelboard Lock series 1-1895-Ox. Used in Siemens FAS-Latch and other various fronts. Standard key #B363A.
	11-A-1175-01	11-A-1175	1	Instruction Sheet for Type 1 panel lock replacement LPLOCK01A/-02A/-03A	See online Kit instruction sheets when needed		
LPKEY01A	B363A	B363A	1 kit	Key for standard Panelboard Lock series 1-1895-Ox .Siemens FAS-Latch and other various fronts use this standard key #B363A	Not available as bulk Distributor kits. See parts below for bulk kits if available for parts.		
LPKEY01B	B363A	B363A	1 kit				
	B363A	B363A	1 kit	Key for standard Panelboard Lock series 1-1895-Ox. Siemens FAS-Latch and other various fronts use this standard key #B363A	LPKEY01A	4	Kit of 4 Replacement Keys for standard Panelboard Lock series 1-1895-Ox. Used in Siemens FAS-Latch and other various fronts. Standard key #B363A.
			1 kit		LPKEY01B	25	Kit of 25 Replacement Keys for standard Panelboard Lock series 1-1895-Ox. Used in Siemens FAS-Latch and other various fronts. Standard key #B363A.
	n/a		1	no instruction sheets available	See online Kit instruction sheets when needed		

Addendum A: P1/P2/P3 - Interior Steel, Deadfront Supports, Base Rails, DF Side Rails

Distributor Kit # ref.	Base Part/ Assembly Reference #	Drawing # Ref	Kit Qty.	Kit or Part Description with additional info	Distributor Kit #	Dist Pack Qty.	Distributor Pack Description or additional info
LPDC01	12-1110-01	12-1110	1 kit	Panelboard Directory Card. 5.5"X5", for 1-90 circuits.	LPDC01	10	Panelboard Directory Card. 5.5"X5", for 1-90 circuits. Mates with pouch # LPDC02.
	12-1110-01	12-1110	10	Panelboard Directory Card. 5.5"X5", for 1-90 circuits Mates with pouch 3 11-1824-01.	LPDC01	10	Panelboard Directory Card. 5.5"X5", for 1-90 circuits. Mates with pouch # LPDC02.
	11-A-1184-01	11-A-1184-01	1	LPDC02 Instruction Sheet for Directory Pouch Kit	See online Kit instruction sheets when needed		
LPDC02	11-1824-01	11-1824	1 kit	Panelboard Directory Vinyl Pouch, 6.3"x6.1". Mates with Directory Card #12-1110-01	LPDC02	10	Panelboard Directory Vinyl Pouch, 6.3"x6.1". Mates with Directory Card # LPDC01.
	11-1824-01	11-1824	10	Panelboard Directory Vinyl Pouch, 6.3"x6.1". Mates with Directory Card #12-1110-01	LPDC02	10	Panelboard Directory Vinyl Pouch, 6.3"x6.1". Mates with Directory Card # LPDC01.
	11-A-1185-01	11-A-1185	1	LPDC02 Instruction Sheet for Directory Pouch Kit	See online Kit instruction sheets when needed		
MCHK	12-A-2098-02	12-A-2098-00	1 kit	MCHK - Metal Card Holder Kit - Field Installable	MCHK	1 kit	MCHK - Metal Card Holder Kit - Field Installable.
	11-1825-01	11-1825	1	Steel Directory card Holder - painted	na	na	see MCHK kit
	11-1826-01	11-1826	1	Clear Plastic Directory Card Cover - slides into Card Holder in front of card.	na	na	see MCHK kit
	11-A-1525-01	11-A-1525	3	Black Adhesive tape with plastic backing - Used to mount MCHK	na	na	see MCHK kit
	11-A-1031-01	11-A-1031	1	Instruction sheet for MCHK Metal Card Holder	See online Kit instruction sheets when needed		
LPJSPDNUT01	11-A-1820-61	11-A-1820-61	1 kit	Replacement J-nuts for use with lighting panel fronts and deadfronts. Also used in miscellaneous other applications.	LPJSPDNUT01	25	J-Type Speed Nut - LP Fronts - 25 PCS
	11-A-1820-01	11-A-1820	25	Nut: 1/4-20 J-TYPE Speed Nut used for mounting fronts/misc.	LPJSPDNUT01	25	J-Type Speed Nut - LP Fronts - 25 PCS
	11-A-1176-01	11-A-1176	1	LPJSPDNUT01 Instruction Sheet for - J Type speed nut Kit	See online Kit instruction sheets when needed		
LPTS01	11-A-1819-01	11-A-1819	1 kit	Trim Screw, Lighting Panel Front, 0.547" Length, 1/4-20 Machine Screw Thread	See available kits below for Distributor Accounts		
	11-A-1819-01	11-A-1819	25	Trim Screw, Lighting Panel Front, 0.547" Length, 1/4-20 Machine Screw Thread	LPTS01	25	Trim Screws 25/pack, Lighting Panel Front, 0.547" Length, 1/4-20 Machine Screw Thread
	n/a		1	no instruction sheets available	See online Kit instruction sheets when needed		
LP3RHP01	11-1902-01	11-1902	1 kit	3R/12 Hinge Pin, 0.188" dia. Steel w/Zinc plate	See available kits below for Distributor Accounts		
	11-1902-01	11-1902	12	3R/12 Hinge Pin, 0.188" dia. Steel w/ Zinc plate	LP3RHP01	12	P1/P2/P3 Hinge Pin, 3R or 3R/12 Replacement Part, 0.188" dia. Steel w/Zinc plate. Packed 12 per kit.
	n/a		1	no instruction sheets available	See online Kit instruction sheets when needed		
EWK1	11-A-2075-01	11-A-2075-01	1 kit	P1/P2 NEMA Type 1 Endwall Kit (20.0W x 5.75D) with Knock-outs. Two per kit with hardware and instructions.	EWK1	1 kit	P1/P2 NEMA Type 1 Endwall Kit (20.0W x 5.75D) with Knock-outs. Two per kit with hardware and instructions.
	12-A-3007-01	12-A-3007	2	P1/P2 NEMA Type 1 Endwall (20.0W x 5.75D) with Knock-outs.	EWK1	1 kit	P1/P2 NEMA Type 1 Endwall Kit (20.0W x 5.75D) with Knock-outs. Two per kit with hardware and instructions.
	11-1533-03	11-1533	16	Screw: 10-32 x 3/8" Hex Washer Head Screw	na	na	Hardware item: check with customer support
	11-A-1004-01	11-A-1004-01	1	EWK1, EWK2, EWK1B, EWK2B Instruction Sheet	See online Kit instruction sheets when needed		
EWK1B	11-A-3027-61	11-A-3027-61	1 kit	P1/P2 NEMA Type 1 Endwall Kit (20.0W x 5.75D) Blank, without Knock-outs. Two per kit with hardware and instructions.	EWK1B	1 kit	P1/P2 NEMA Type 1 Endwall Kit (20.0W x 5.75D) Blank, without Knock-outs. Two per kit with hardware and instructions.

Addendum A: P1/P2/P3 - Interior Steel, Deadfront Supports, Base Rails, DF Side Rails

Distributor Kit # ref.	Base Part/Assembly Reference #	Drawing # Ref	Kit Qty.	Kit or Part Description with additional info	Distributor Kit #	Dist Pack Qty.	Distributor Pack Description or additional info
	11-A-3027-01	11-A-3027	2	P1/P2 NEMA Type 1 Endwall (20.0W x 5.75D) Blank, without Knock-outs.	EWK1B	1 kit	P1/P2 NEMA Type 1 Endwall Kit (20.0W x 5.75D) Blank, without Knock-outs.Two per kit with hardware and instructions.
	11-1533-03	11-1533	16	Screw: 10-32 x 3/8" Hex Washer Head Screw	na	na	Hardware item: check with customer support
	11-A-1004-01	11-A-1004-01	1	EWK1, EWK2, EWK1B, EWK2B Instruction Sheet	See online Kit instruction sheets when needed		
EWK2	11-A-2075-02	11-A-2075-02	1 kit	P1/P2 NEMA Type 1 Endwall Kit (24.0W x 5.75D) with Knock-outs. Two per kit with hardware and instructions.	EWK2	1 kit	P1/P2 NEMA Type 1 Endwall Kit (24.0W x 5.75D) with Knock-outs. Two per kit with hardware and instructions.
	12-A-3064-01	12-A-3064	2	P1/P2 NEMA Type 1 Endwall (24.0W x 5.75D) with Knock-outs..	EWK2	1 kit	P1/P2 NEMA Type 1 Endwall Kit (24.0W x 5.75D) with Knock-outs. Two per kit with hardware and instructions.
	11-1533-03	11-1533	20	Screw: 10-32 x 3/8" Hex Washer Head Screw	na	na	Hardware item: check with customer support
	11-A-1004-01	11-A-1004-01	1	EWK1, EWK2, EWK1B, EWK2B Instruction Sheet	See online Kit instruction sheets when needed		
EWK2B	11-A-3033-61	11-A-3033-61	1 kit	P1/P2 NEMA Type 1 Endwall Kit (24.0W x 5.75D) Blank, without Knock-outs. Two per kit with hardware and instructions.	EWK2B	1 kit	P1/P2 NEMA Type 1 Endwall Kit (24.0W x 5.75D) Blank, without Knock-outs. Two per kit with hardware and instructions.
	11-A-3033-01	11-A-3033	2	P1/P2 NEMA Type 1 Endwall (24.0W x 5.75D) Blank, without Knock-outs.	EWK2B	1 kit	P1/P2 NEMA Type 1 Endwall Kit (24.0W x 5.75D) Blank, without Knock-outs. Two per kit with hardware and instructions.
	11-1533-03	11-1533	20	Screw: 10-32 x 3/8" Hex Washer Head Screw	na	na	Hardware item: check with customer support
	11-A-1004-01	11-A-1004-01	1	EWK1, EWK2, EWK1B, EWK2B Instruction Sheet	See online Kit instruction sheets when needed		
EWK3	11-A-2207-01	11-A-2207-01	1 kit	P1/P2 NEMA Type 1 Endwall Kit (20.0W x 5.75D) with Opening Cutout for general purpose use. See B74FLR instruction sheet and literature. One per kit with hardware and instructions.	EWK3	1 kit	P1/P2 NEMA Type 1 Endwall Kit (20.0W x 5.75D) with Opening Cutout for general purpose use. See B74FLR instruction sheet and literature.
	11-A-3166-01	11-A-3166	1	P1/P2 NEMA Type 1 Endwall (20.0W x 5.75D) with Opening Cutout. See B74FLR instruction sheet and literature.	EWK3	1 kit	P1/P2 NEMA Type 1 Endwall Kit (20.0W x 5.75D) with Opening Cutout for general purpose use. See B74FLR instruction sheet and literature.
	11-1533-03	11-1533	8	Screw: 10-32 x 3/8" Hex Washer Head Screw	na	na	Hardware item: check with customer support
	11-A-1143-01	11-A-1143-01	1	EWK3 Instruction Sheet	See online Kit instruction sheets when needed		
EGK	11-A-2006-03	31-A-2006	1 kit	ECGK Al/Cu Ground Bus Kit, Connection count: (6) of #14-1/0 and (15) of #14-6 Connections (21 Holes total). Some connections allow multiple wires.	EGK	1 kit	ECGK Al/Cu Ground Bus Kit, Connection count: (6) of #14-1/0 and (15) of #14-6 Connections (21 Holes total). Some connections allow multiple wires.
	11-A-1810-03	11-A-1810	1	AL Ground Bus - 42 connections EGK/IGK	na	na	see EGK or IGK kit
	11-A-1813-01	11-A-1813	2	Screw: #10-32 x 0.875" PFSW	na	na	Hardware item: check with customer support
	1P-A-3003-03	1P-A-3003-A0	1	EGK Kit Envelope with printed Instructions	See online Kit instruction sheets when needed		
ECGK	31-A-2006-03	31-A-2006	1 kit	ECGK Copper Ground Bus Kit, Connection count: (6) of #14-1/0 and (15) of #14-6 Connections (21 Holes total). Some connections allow multiple wires.	ECGK	1 kit	ECGK Copper Ground Bus Kit, Connection count: (6) of #14-1/0 and (15) of #14-6 Connections (21 Holes total). Some connections allow multiple wires.
	11-A-1815-03	11-A-1815	1	CU Ground Bus - 42 connections max. used in ECGK/ICGK	na	na	See ECGK or ICGK kit
	11-A-1813-01	11-A-1813	2	Screw: #10-32 x 0.875" PFSW	na	na	Hardware item: check with customer support

Addendum A: P1/P2/P3 - Interior Steel, Deadfront Supports, Base Rails, DF Side Rails

Distributor Kit # ref.	Base Part/Assembly Reference #	Drawing # Ref	Kit Qty.	Kit or Part Description with additional info	Distributor Kit #	Dist Pack Qty.	Distributor Pack Description or additional info
	1P-A-3003-09	1P-A-3003-C0	1	ECGK Kit Envelope with printed Instructions	See online Kit instruction sheets when needed		
IGK	31-2010-03	31-2010	1 kit	IGK Insulated Al/Cu Ground Bus Kit, Connection count: (6) of #14-1/0 and (15) of #14-6 Connections (21 Holes total). Some connections allow multiple wires.	IGK	1 kit	IGK Insulated Al/Cu Ground Bus Kit, Connection count: (6) of #14-1/0 and (15) of #14-6 Connections (21 Holes total). Some connections allow multiple wires.
	11-A-1810-03	11-A-1810	1	AL Ground Bus - 42 connections EGK/IGK	na	na	see EGK or IGK kit
	11-A-4515-01	11-A-4515	1	Insulated Ground Bus Bracket - 1.25"x1.25"x3.50", used in Lighting Panels	na	na	See IGK and ICGK
	11-1512-07	11-1512	2	Screw: 8-32 X 5/8" IHWSHW, Indented Hex Washer-Head Screw	na	na	Hardware item: check with customer support
	11-1533-03	11-1533	2	Screw: 10-32 x 3/8" Hex Washer Head Screw	na	na	Hardware item: check with customer support
	1P-A-3003-06	1P-A-3003-B0	1	IGK Kit Envelope with printed Instructions	See online Kit instruction sheets when needed		
ICGK	31-2011-03	31-2011	1 kit	ICGK Insulated Copper Ground Bus Kit, Connection count: (6) of #14-1/0 and (15) of #14-6 Connections (21 Holes total). Some connections allow multiple wires.	ICGK	1 kit	ICGK Insulated Copper Ground Bus Kit, Connection count: (6) of #14-1/0 and (15) of #14-6 Connections (21 Holes total). Some connections allow multiple wires.
	11-A-1815-03	11-A-1815	1	CU Ground Bus - 42 connections max. used in ECGK/ICGK	na	na	see EGK or IGK kit
	11-A-4515-01	11-A-4515	1	Insulated Ground Bus Bracket - 1.25"x1.25"x3.50", used in Lighting Panels	na	na	See IGK and ICGK
	11-1512-07	11-1512	2	Screw: 8-32 X 5/8" IHWSHW, Indented Hex Washer-Head Screw	na	na	Hardware item: check with customer support
	11-1533-03	11-1533	2	Screw: 10-32 x 3/8" Hex Washer Head Screw	na	na	Hardware item: check with customer support
	1P-A-3003-12	1P-A-3003-D0	1	ICGK Kit Envelope with printed Instructions	See online Kit instruction sheets when needed		
BBKQRP1FK	11-D-2644-01	11-D-2644-01	1 kit	P2 Deadfront Filler Kit - allows changing from QJ to QR Single Mount Breakers, Main/Subfeed/Branch locations, 1-phase or 3-phase, 2-pole or 3-pole	BBKQRP1FK	1 kit	P2 Deadfront Filler Kit - allows changing from QJ to QR Single Mount Breakers, Main/Subfeed/Branch locations, 1-phase or 3-phase, 2-pole or 3-pole
	11-D-3282-01	11-D-3282	1	P2 2-pole or 3-pole horizontal QR Single Deadfront Plate	na	na	See BBKQR1 or BBKQRP1FK Kit
	11-D-4563-01	11-D-4563	1	QR Deadfront Filler Plate, Plastic snap-in for RP1, P2 and other products. (Horizontal Mount)	MBKQRFK	1 kit	P1/RP1 FILLER FOR 2P/3P QR - HORIZ MOUNT
	11-D-4564-01	11-D-4564	1	P2 QR Deadfront Filler, Plastic snap-in for P2, Vertical mount Main position.	tbd - in process	tbd	P2 QR Deadfront Filler, Plastic snap-in for P2, Vertical mount Main position. - currently only in BBKQRP!FK with other parts, new kit planned to be offered with this part only.
	11-1003-01	11-1003-01	1	Label: "Service Disconnect", for general use, 1.5"x.75"	na	na	Generally included in most bonding kits and with many Service Entrance Interiors, plus other applications.
	11-1150-01	11-1150	1	Label: "MAIN", used many places in all Panelboards and Swbds where Main must be marked.	na	na	Generally included in most Main Breaker kits and with MB interiors.
	11-1512-02	11-1512	4	Screw: 8-32 X 9/32" IHWSHW, Indented Hex Washer-Head Screw	na	na	Hardware item: check with customer support
	11-A-1135-01	11-A-1135-01	1	BBKQRP1FK Instruction sheet, P2 QJ to QR Filler Kit	See online Kit instruction sheets when needed		
BBKQRP2FK	11-D-2645-01	11-D-2645	1 kit	P2 Deadfront Filler Kit - allows changing from QJ to QR Twin Mount Breakers, 1-phase or 3-phase, 2-pole or 3-pole	BBKQRP2FK	1 kit	P2 Deadfront Filler Kit - allows changing from QJ to QR Twin Mount Breakers, 1-phase or 3-phase, 2-pole or 3-pole

Addendum A: P1/P2/P3 - Interior Steel, Deadfront Supports, Base Rails, DF Side Rails

Distributor Kit # ref.	Base Part/Assembly Reference #	Drawing # Ref	Kit Qty.	Kit or Part Description with additional info	Distributor Kit #	Dist Pack Qty.	Distributor Pack Description or additional info
	11-D-3283-01	11-D-3283	1	P3 Deadfront plate for two 2-pole QR twin mounted	na	na	See BBKQRP2FK or BBKQR2
	11-D-3284-01	11-D-3284	1	P3 Deadfront plate for two 3-pole QR twin mounted	na	na	See BBKQRP2FK or BBKQR2
	11-D-3288-01	11-D-3288	1	P3 Deadfront plate - Combo - one QR and one QJ twin mounted	na	na	See BBKQRP2FK
	11-D-4565-01	11-D-4565	2	P3 QR Deadfront Filler, Plastic snap-in for 2-pole or 3-pole QR opening	tbd - in process	tbd	P2 QR Deadfront Filler, Plastic snap-in for P2, Vertical mount Main position. - currently only in BBKQRPIFK with other parts, new kit planned to be offered with this part only
	12-6812-34	12-6812	1	P3 QR blank filler plate - steel w/o hardware	na	na	See BBKQRP2FK or BBKQR2
	11-1512-02	11-1512	4	Screw: 8-32 X 9/32" IHWSHW, Indented Hex Washer-Head Screw	na	na	Hardware item: check with customer support
	11-1630-02	11-1630	2	Bolt: replaced with 32-1506-C01 (#10-24 .625" round head share neck carriage bolt)	na	na	Hardware item: check with customer support (see 32-1506-C01)
	11-1821-02	11-1821	2	Nut: 10-24 PALNUT Spring-steel	na	na	Hardware item: check with customer support
	11-A-1136-01	11-A-1136-01	1	BBKQRP2FK Instruction sheet, P2 QJ to QR Filler Kit	See online Kit instruction sheets when needed		
DFFP01A	11-D-4560-61	11-D-4560-61	1 kit	P1 Main Blank Filler Plate - 1 Piece (use for Original or Revised P1 - also replaces 12-A-1801-01) (Installs Vertical for 400A Main)	DFFP01A	1 kit	P1 Main Blank Filler Plate - 1 Piece (use for Original or Revised P1 - also replaces 12-A-1801-01) (Vertical for 400A Main)
	11-D-4560-01	11-D-4560-01	1	P1 (original and revised) Blank filler plate, 250A Main/Subfeed opening, also used in many other applications. (Installs Vertical for 400A Main)	DFFP01A	1 kit	P1 Main Blank Filler Plate - 1 Piece (use for Original or Revised P1 - also replaces 12-A-1801-01) (Vertical for 400A Main)
	11-A-1180-01	11-A-1180	1	Instruction Sheet for DFFP01A and DFFPJ01 Filler kits	See online Kit instruction sheets when needed		
DFFP1	11-D-4554-01	11-D-4554	1 kit	DFFP1 Blank filler , 1 inch snap-in, replaced old QF3 in Systems Products. Ref. old #12-1800-01	DFFP1	1 piece	DFFP1 Filler Plate for BL/BQD/ED/xGB in PNLBD & SWBD deadfronts, plus many other locations. (sold by the piece - packed 100 per carton)
	11-D-4554-01	11-D-4554	1	DFFP1 Blank filler , 1 inch snap-in, replaced old QF3 in Systems Products. Ref. old #12-1800-01	DFFP1	1 piece	DFFP1 Filler Plate for BL/BQD/ED/xGB in PNLBD & SWBD deadfronts, plus many other locations. (sold by the piece - packed 100 per carton)
DFFP3	11-D-2269-01	11-D-2269-01	1 kit	DFFP3 Kit includes 3 inch high Blank Deadfront filler plates for both P2 (11-D-3014-02) and P3 (11-D-3035-02). Hardware and installation instructions are also included.	DFFP3	1 kit	DFFP3 Kit includes 3 inch high Blank Deadfront filler plates for both P2 (11-D-3014-02) and P3 (11-D-3035-02). Hardware and installation instructions are also included.
	11-D-3035-02	11-D-3035	1	P3 Blank Deadfront Filler Plate, 3 inch high Painted	na	na	See DFFP3
	11-D-3014-02	11-D-3014	1	P2 Blank Deadfront Filler Plate, 3 inch high Painted	na	na	See DFFP3
	11-1512-02	11-1512	4	Screw: 8-32 X 9/32" IHWSHW, Indented Hex Washer-Head Screw	na	na	Hardware item: check with customer support
	12-A-1083-01	12-A-1083-1	1	DFFP3 Instruction Sheet	See online Kit instruction sheets when needed		
DFFP6	11-D-2270-01	11-D-2270-01	1 kit	DFFP6 Kit includes 6 inch high Blank Deadfront filler plates for both P2 (11-D-3014-01) and P3 (11-D-3035-01). Hardware and installation instructions are also included.	DFFP6	1 kit	DFFP6 Kit includes 6 inch high Blank Deadfront filler plates for both P2 (11-D-3014-01) and P3 (11-D-3035-01). Hardware and installation instructions are also included.
	11-D-3035-01	11-D-3035	1	P3 BLANK COVER PLT 5.97 IN	na	na	See DFFP6
	11-D-3014-01	11-D-3014	1	P2 BLANK DEADFRNT PLT 6 IN Finn	na	na	See DFFP6
	11-1512-02	11-1512	4	Screw: 8-32 X 9/32" IHWSHW, Indented Hex Washer-Head Screw	na	na	Hardware item: check with customer support
	12-A-1084-01	12-A-1084-1	1	DFFP6 Instruction Sheet	See online Kit instruction sheets when needed		

Addendum A: P1/P2/P3 - Interior Steel, Deadfront Supports, Base Rails, DF Side Rails

Distributor Kit # ref.	Base Part/Assembly Reference #	Drawing # Ref	Kit Qty.	Kit or Part Description with additional info	Distributor Kit #	Dist Pack Qty.	Distributor Pack Description or additional info
DFFPED01	12-A-1802-61	12-A-1802-6	1 kit	P1 Main Filler 100-125A frames ED, BL/BQD or xGB (use for Original or Revised P1 and other applications)	DFFPED01	1 kit	P1 Main Filler 100-125A frames ED, BL/BQD or xGB (use for Original or Revised P1 and other applications)
	12-A-1802-01	12-A-1802	1	P1 Main Filler 100-125A frames ED, BL/BQD or xGB (use for Original or Revised P1 and other applications)	DFFPED01	1 kit	P1 Main Filler 100-125A frames ED, BL/BQD or xGB (use for Original or Revised P1 and other applications)
	11-A-1181-01	11-A-1181	1	Instruction Sheet for DFFPED01 and DFFPFD01 Filler kits	See online Kit instruction sheets when needed		
DFFPQJ01	12-A-1804-61	12-A-1804-61	1 kit	QJ Main Filler Plate for 3-Phase (3-pole) P1 Panels (use for Original or Revised P1 and other applications)	DFFPQJ01	1 kit	QJ Main Filler Plate for 3-Phase (3-pole) P1 Panels (use for Original or Revised P1 and other applications)
	12-A-1804-01	12-A-1804	1	QJ Main Filler Plate for 3-Phase (3-pole) P1 Panels (use for Original or Revised P1 and other applications)	DFFPQJ01	1 kit	QJ Main Filler Plate for 3-Phase (3-pole) P1 Panels (use for Original or Revised P1 and other applications)
	11-A-1181-01	11-A-1181	1	Instruction Sheet for DFFPED01 and DFFPFD01 Filler kits	See online Kit instruction sheets when needed		
DFFPQJ02	12-A-1804-62	12-A-1804-62	1 kit	QJ Main Filler Plate for 1-Phase (2-pole) P1 Panels (use for Original or Revised P1 and other applications)	DFFPQJ02	1 kit	QJ Main Filler Plate for 1-Phase (2-pole) P1 Panels (use for Original or Revised P1 and other applications)
	12-A-1804-02	12-A-1804	1	QJ Main Filler Plate for 1-Phase (2-pole) P1 Panels (use for Original or Revised P1 and other applications)	DFFPQJ02	1 kit	QJ Main Filler Plate for 1-Phase (2-pole) P1 Panels (use for Original or Revised P1 and other applications)
	11-A-1181-01	11-A-1181	1	Instruction Sheet for DFFPED01 and DFFPFD01 Filler kits	See online Kit instruction sheets when needed		
DFFPFD01	12-A-1803-61	12-A-1803-61	1 kit	FD Main Filler Plate for 1-Ph and 3-Ph P1 Panels (use for Original or Revised P1 and other applications)	DFFPFD01	1 kit	FD Main Filler Plate for 1-Ph and 3-Ph P1 Panels (use for Original or Revised P1 and other applications)
	12-A-1803-01	12-A-1803	1	FD Main Filler Plate for 1-Ph and 3-Ph P1 Panels (use for Original or Revised P1 and other applications)	DFFPFD01	1 kit	FD Main Filler Plate for 1-Ph and 3-Ph P1 Panels (use for Original or Revised P1 and other applications)
	11-A-1181-01	11-A-1181	1	Instruction Sheet for DFFPED01 and DFFPFD01 Filler kits	See online Kit instruction sheets when needed		
DFFPJD01	11-D-4522-61	11-D-4522-61	1 kit	JD Main Filler Plate for 1-Ph and 3-Ph P1 Panels (use for Original or Revised P1 and other applications)	DFFPJD01	1 kit	JD Main Filler Plate for 1-Ph and 3-Ph P1 Panels (use for Original or Revised P1 and other applications)
	11-D-4522-01	11-D-4522	1	JD Main Filler Plate for 1-Ph and 3-Ph P1 Panels (use for Original or Revised P1 and other applications)	DFFPJD01	1 kit	JD Main Filler Plate for 1-Ph and 3-Ph P1 Panels (use for Original or Revised P1 and other applications)
	11-A-1180-01	11-A-1180	1	Instruction Sheet for DFFP01A and DFFPJD01 Filler kits	See online Kit instruction sheets when needed		
DFK1	11-D-2273-01	11-D-2273-01	1 kit	P2/P3 kit to replace center strips in the deadfront when breaker strap kits are changed or modified. This kit includes mounting hardware and seven different lengths of center strip for 3" thru 21" of unit space. (for BL/BQD/xGB/etc. sizes of breakers)"	DFK1	1 kit	P2/P3 kit to replace center strips in the deadfront when breaker strap kits are changed or modified. This kit includes mounting hardware and seven different lengths of center strip for 3" thru 21" of unit space. (for BL/BQD/xGB/etc. sizes of breakers)
	11-D-3018-01	11-D-3018	1	P2/P3 Deadfront Center Plate, Painted, for 3" of unit space.	na	na	See DFK1
	11-D-3018-02	11-D-3018	1	P2/P3 Deadfront Center Plate, Painted, for 6" of unit space.	na	na	See DFK1
	11-D-3018-03	11-D-3018	1	P2/P3 Deadfront Center Plate, Painted, for 9" of unit space.	na	na	See DFK1
	11-D-3018-04	11-D-3018	1	P2/P3 Deadfront Center Plate, Painted, for 12" of unit space.	na	na	See DFK1
	11-D-3018-05	11-D-3018	1	P2/P3 Deadfront Center Plate, Painted, for 15" of unit space.	na	na	See DFK1
	11-D-3018-06	11-D-3018	1	P2/P3 Deadfront Center Plate, Painted, for 18" of unit space.	na	na	See DFK1
	11-D-3018-07	11-D-3018	1	P2/P3 Deadfront Center Plate, Painted, for 21" of unit space.	DFK07	1 kit	P2/P3 kit to replace center strips in the deadfront when breaker strap kits are changed or modified. Kit includes mounting hardware and center strip for 21" of unit space. (for BL/BQD/xGB/etc. sizes of breakers)

Addendum A: P1/P2/P3 - Interior Steel, Deadfront Supports, Base Rails, DF Side Rails

Distributor Kit # ref.	Base Part/Assembly Reference #	Drawing # Ref	Kit Qty.	Kit or Part Description with additional info	Distributor Kit #	Dist Pack Qty.	Distributor Pack Description or additional info
	11-1512-02	11-1512	4	Screw: 8-32 X 9/32" IHWSHW, Indented Hex Washer-Head Screw	na	na	Hardware item: check with customer support
	12-A-1082-01	12-A-1082-1	1	DFK1 Instruction Sheet, for P2/P3 unit space with 1" format breakers installed. (BL/BQD/xGB/etc.)	See online Kit instruction sheets when needed		
DFK07	11-D-3018-67	11-D-3018-67	1 kit	P2/P3 kit to replace center strips in the deadfront when breaker strap kits are changed or modified. Kit includes mounting hardware and center strip for 21" of unit space. (for BL/BQD/xGB/etc. sizes of breakers)	DFK07	1 kit	P2/P3 kit to replace center strips in the deadfront when breaker strap kits are changed or modified. Kit includes mounting hardware and center strip for 21" of unit space. (for BL/BQD/xGB/etc. sizes of breakers)
	11-D-3018-07	11-D-3018	1	P2/P3 Deadfront Center Plate, Painted, for 21" of unit space.	DFK07	1 kit	P2/P3 kit to replace center strips in the deadfront when breaker strap kits are changed or modified. Kit includes mounting hardware and center strip for 21" of unit space. (for BL/BQD/xGB/etc. sizes of breakers)
	11-1512-02	11-1512	4	Screw: 8-32 X 9/32" IHWSHW, Indented Hex Washer-Head Screw	na	na	Hardware item: check with customer support
	11-A-1182-01	11-A-1182	1	DFKxx (07-21) Instruction Sheet, for P2/P3 unit space with 1" format breakers installed. (BL/BQD/xGB/etc.)	See online Kit instruction sheets when needed		
DFK08	11-D-3018-68	11-D-3018-68	1 kit	P2/P3 kit to replace center strips in the deadfront when breaker strap kits are changed or modified. Kit includes mounting hardware and center strip for 24" of unit space. (for BL/BQD/xGB/etc. sizes of breakers)	DFK08	1 kit	P2/P3 kit to replace center strips in the deadfront when breaker strap kits are changed or modified. Kit includes mounting hardware and center strip for 21" of unit space. (for BL/BQD/xGB/etc. sizes of breakers)
	11-D-3018-08	11-D-3018	1	P2/P3 Deadfront Center Plate, Painted, for 24" of unit space.	DFK08	1 kit	P2/P3 kit to replace center strips in the deadfront when breaker strap kits are changed or modified. Kit includes mounting hardware and center strip for 24" of unit space. (for BL/BQD/xGB/etc. sizes of breakers)
	11-1512-02	11-1512	4	Screw: 8-32 X 9/32" IHWSHW, Indented Hex Washer-Head Screw	na	na	Hardware item: check with customer support
	11-A-1182-01	11-A-1182	1	DFKxx (07-21) Instruction Sheet, for P2/P3 unit space with 1" format breakers installed. (BL/BQD/xGB/etc.)	See online Kit instruction sheets when needed		
DFP3AP01	11-D-3033-61	11-D-3033-61	1 kit	DFP3AP01 Kit for P2/P3 BL/BQD/ED/xGB/etc. breakers. This adapter plate fills 3 inches of unit space on one side of the Deadfront to allow the smaller breakers to fit correctly.	DFP3AP01	1 kit	DFP3AP01 Kit for P2/P3 BL/BQD/ED/xGB/etc. breakers. This adapter plate fills 3 inches of unit space on one side of the Deadfront to allow the smaller breakers to fit correctly.
	11-D-3033-01	11-D-3033	1	Adapter for Deadfront in P2/P3 with BL/BQD/ED/xGB/etc. breakers. This adapter plate fills gap in 3 inches of unit space on one side of the panel to allow the smaller breakers to fit correctly.	na	na	See DFP3AP01, BBKGB32, BBKNB32, BBKED32, BBKB32.
	11-1512-03	11-1512	2	Screw: 8-32 X 3/8" IHWSHW, Indented Hex Washer-Head Screw	na	na	Hardware item: check with customer support
	11-A-1178-01	11-A-1178	1	DFP3AP01 Instruction Sheet for P2/P3 Deadfront Adapter Plate Kit	See online Kit instruction sheets when needed		
EBF1	11-D-2312-01	11-D-2312-01	1 kit	EBF1 Deadfront Filler Kit for NEB/HEB Breaker in a P3, includes one plastic filler plate and screw to cover 1" of unit space.	EBF1	1 kit	EBF1 Deadfront Filler Kit for NEB/HEB Breaker in a P3, includes one plastic filler plate and screw to cover 1" of unit space.
	11-D-4529-01	11-D-4529	1	HEB/NEB Filler for P3, plastic filler plate to cover 1" of unit space. (screw not included)	na	na	See EBF1 or BBKEB32
	11-1512-03	11-1512	1	Screw: 8-32 X 3/8" IHWSHW, Indented Hex Washer-Head Screw	na	na	Hardware item: check with customer support
	11-D-1017-01	11-D-1017	1	EBF1 Instruction Sheet for P3 Deadfront Filler Plate Kit	See online Kit instruction sheets when needed		

Addendum A: P1/P2/P3 - Interior Steel, Deadfront Supports, Base Rails, DF Side Rails

Distributor Kit # ref.	Base Part/Assembly Reference #	Drawing # Ref	Kit Qty.	Kit or Part Description with additional info	Distributor Kit #	Dist Pack Qty.	Distributor Pack Description or additional info
MBKQRFK	11-D-2643-01	11-D-2643-01	1 kit	P1/Revised P1 Filler for 1PH/3PH QR. Horizontal Mount only.	MBKQRFK	1 kit	P1/RP1 FILLER FOR 2P/3P QR - HORIZ MOUNT
	11-D-4563-01		1	REV P1 QR FILLER PLATE	MBKQRFK	1 kit	P1/RP1 FILLER FOR 2P/3P QR - HORIZ MOUNT
	11-A-1134-01		1	INSTRUCTION SHEET (Make in house)	See online Kit instruction sheets when needed		
NBK03	11-A-2009-03	11-A-2009-03	1 kit	Number Strips 1–42. Stick-on type; Use w/ P1 series Panels	NBK03	1 kit	Number Strips 1–42. Stick-on type; Use w/ P1 series Panels
	11-A-1043-01	11-A-1043	1	CIRCUIT NUMBER LABELS; 1-42	na	na	See NBK03 Kit
NBK04	11-A-2009-04	11-A-2009-04	1 kit	Number Strips 43–84. Stick-on type; Use w/ P1 series Panels	NBK04	1 kit	Number Strips 43–84. Stick-on type; Use w/ P1 series Panels
	11-A-1043-04	11-A-1043	1	CIRCUIT NUMBER LABELS; 43-84	na	na	See NBK04 Kit
NBK05	11-A-2009-05	11-A-2009-05	1 kit	Number Strips 85–126. Stick-on type; Use w/ P1 series Panels	NBK05	1 kit	Number Strips 85–126. Stick-on type; Use w/ P1 series Panels
	11-A-1043-05	11-A-1043	1	CIRCUIT NUMBER LABELS; 85-126	na	na	See NBK05 Kit
NBK06	11-A-2009-06	11-A-2009-06	1 kit	Number Strips 127–168. Stick-on type; Use w/ P1 series Panels	NBK06	1 kit	Number Strips 127–168. Stick-on type; Use w/ P1 series Panels
	11-A-1043-06	11-A-1043	1	CIRCUIT NUMBER LABELS; 127-168	na	na	See NBK06 Kit
NBK07	11-A-2009-07	11-A-2009-07	1 kit	Number Strips 169-210. Stick-on type; Use w/ P1 series Panels	NBK07	1 kit	Number Strips 169-210. Stick-on type; Use w/ P1 series Panels
	11-A-1043-07	11-A-1043	1	CIRCUIT NUMBER LABELS; 169-210	na	na	See NBK07 Kit
NBK08	11-A-2009-08	11-A-2009-08	1 kit	Number Strips 211-252. Stick-on type; Use w/ P1 series Panels	NBK08	1 kit	Number Strips 211-252. Stick-on type; Use w/ P1 series Panels
	11-A-1043-08	11-A-1043	1	CIRCUIT NUMBER LABELS; 211-252	na	na	See NBK08 Kit
NBK3	11-A-2A02-03	11-A-2A02-03	1 kit	Press-in Number Kit 1-42 P2/P3 Panelboards	NBK3	1 kit	Press-in Number Kit 1-42 P2/P3 Panelboards
	11-1818-01	11-1818	1	Numbers 1-10 Push-in Number/ Button strip	na	na	see NBK3 kit
	11-1818-02	11-1818	1	Numbers 11-20 Push-in Number/ Button strip	na	na	see NBK3 kit
	11-1818-03	11-1818	1	Numbers 21-30 Push-in Number/ Button strip	na	na	see NBK3 kit
	11-1818-04	11-1818	1	Numbers 31-42 Push-in Number/ Button strip	na	na	see NBK3 kit
	31-1173-03	31-1173	1	NBK-3 NUMBER BUTTON ENVELOPE	See online Kit instruction sheets when needed		
NBK4	11-A-2A02-04	11-A-2A02-04	1 kit	Press-in Number Kit 43-84 P2/P3 Panelboards	NBK4	1 kit	Press-in Number Kit 43-84 P2/P3 Panelboards
	11-1818-05	11-1818	1	Numbers 43-54 Push-in Number/ Button strip	na	na	see NBK4 kit
	11-1818-06	11-1818	1	Numbers 55-66 Push-in Number/ Button strip	na	na	see NBK4 kit
	11-1818-07	11-1818	1	Numbers 67-78 Push-in Number/ Button strip	na	na	see NBK4 kit
	11-1818-08	11-1818	1	Numbers 79-84 Push-in Number/ Button strip	na	na	see NBK4 kit
	31-1173-04	31-1173	1	NBK-4 NUMBER BUTTON ENVELOPE	See online Kit instruction sheets when needed		
NBK5	11-A-2A02-05	11-A-2A02-05	1 kit	Press-in Number Kit 85-126 P2/P3 Panelboards	NBK5	1 kit	Press-in Number Kit 85-126 P2/P3 Panelboards
	11-1818-10	11-1818	1	Numbers 85-96 Push-in Number/ Button strip	na	na	see NBK5 kit
	11-1818-11	11-1818	1	Numbers 96-108 Push-in Number/ Button strip	na	na	see NBK5 kit
	11-1818-12	11-1818	1	Numbers 109-120 Push-in Number/ Button strip	na	na	see NBK5 kit
	11-1818-13	11-1818	1	Numbers 121-126 Push-in Number/ Button strip	na	na	see NBK5 kit
	31-1173-05	31-1173	1	NBK-5 NUMBER BUTTON ENVELOPE	See online Kit instruction sheets when needed		

Addendum A: P1/P2/P3 - Interior Steel, Deadfront Supports, Base Rails, DF Side Rails

Distributor Kit # ref.	Base Part/Assembly Reference #	Drawing # Ref	Kit Qty.	Kit or Part Description with additional info	Distributor Kit #	Dist Pack Qty.	Distributor Pack Description or additional info
NBK6	11-A-2A02-06	11-A-2A02-06	1 kit	Press-in Number Kit 127-168 P2/P3 Panelboards	NBK6	1 kit	Press-in Number Kit 127-168 P2/P3 Panelboards
	11-1818-14	11-1818	1	Numbers 127-138 Push-in Number/ Button strip	na	na	see NBK6 kit
NBK7	11-A-2A02-07	11-A-2A02-07	1 kit	Press-in Number Kit 169-210 P2/P3 Panelboards	NBK7	1 kit	Press-in Number Kit 169-210 P2/P3 Panelboards
	11-1818-18	11-1818	1	Numbers 169-180 Push-in Number/ Button strip	na	na	see NBK7 kit
	11-1818-19	11-1818	1	Numbers 181-192 Push-in Number/ Button strip	na	na	see NBK7 kit
	11-1818-20	11-1818	1	Numbers 193-204 Push-in Number/ Button strip	na	na	see NBK7 kit
	11-1818-21	11-1818	1	Numbers 205-210 Push-in Number/ Button strip	na	na	see NBK7 kit
	31-1173-08	31-1173	1	NBK-7 NUMBER BUTTON ENVELOPE	See online Kit instruction sheets when needed		
NBK8	11-A-2A02-08	11-A-2A02-08	1 kit	Press-in Number Kit 211-252 P2/P3 Panelboards	NBK8	1 kit	Press-in Number Kit 211-252 P2/P3 Panelboards
	11-1818-22	11-1818	1	Numbers 211-222 Push-in Number/ Button strip	na	na	see NBK8 kit
	11-1818-23	11-1818	1	Numbers 223-234 Push-in Number/ Button strip	na	na	see NBK8 kit
	11-1818-24	11-1818	1	Numbers 235-246 Push-in Number/ Button strip	na	na	see NBK8 kit
	11-1818-25	11-1818	1	Numbers 247-252 Push-in Number/ Button strip	na	na	see NBK8 kit
	31-1173-04	31-1173	1	NBK-8 NUMBER BUTTON ENVELOPE	See online Kit instruction sheets when needed		

Addendum B:

P1 Panelboard Related Kits

Summary:

- Addendum B includes a List of most P1 Panelboard related kits and a breakdown of the Bill of Material in each kit. Original P1 and Revised P1 Kits are listed, although replacement parts for many of the Original P1 Product may no longer be available.

Distributor Kit Reference # Information

- The Kit number row shows the Assembly number for the kit and related drawing reference.
- The Part/Kit Descriptions have been enhanced to add more details and information for sales and customers to better understand the Part/Kit.

Base Reference # Information

- The Reference number row shows the Drawing # for the Part and the Part Qty in this kit.
- The Part/Kit Descriptions have been enhanced to add more details and information for sales and customers to better understand the Part/Kit.

Distributor Kit/Pack information

- For each Reference Part number - there may be additional information in the Distributor Columns such as:
 - a) A Catalog number that can be purchased that includes one or more of the reference parts on that row.
 - b) The Qty of the reference part that is in the kit shown
 - c) An enhanced description of the part with additional data if relevant, such as size, material, where/how part is generally used.

Special notes:

- 1) Many rows show "na" in many columns. This basically means "Not Available", there are no readily available Catalog numbers for the reference part on that row. In some cases additional information is provided about the part or other Kits that may include the part.
- 2) Hardware Items such as Screws, Nuts, Bolts and Washers typically have no saleable kits and therefore Customer Support may need to be contacted for availability of these items. When Saleable Kits are available they will be shown.
- 3) Instruction Sheet Reference Drawing numbers are show to help find Instruction sheets online when needed, usually searching for the "catalog" number is the best way to find the instruction sheets online.
- 4) Occasionally Bills of Material (BOMs) are changed for various reasons. These pages represent the current BOMs when this document was created and should be considered as a guide to replacement parts. Changes to BOMs can occur over time and availability of parts and/or kits are not guaranteed by this document. This is a reference only, to assist in finding relevant information when replacement parts are needed.

Addendum B: P1 Kits and related parts (original P1 and Revised P1 included)

Distributor Kit # ref.	Base Part/ Assembly Reference #	Drawing # Ref	Kit Qty.	Kit or Part Description with additional info	Distributor Kit #	Dist Pack Qty.	Distributor Pack Description or additional info
BK1A	11-D-2473-01	11-D-2473-01	1	Revised P1 Bonding Kit including Service Disconnect Label	BK1A	1 kit	Revised P1 Bonding Kit including Service Disconnect Label
	11-1003-01	11-1003-01	6	Label: "Service Disconnect", for general use, 1.5"x.75"	na	na	Generally included in most bonding kits and with many Service Entrance Interiors, plus other applications.
	11-A-1507-11	11-A-1507	1	Screw: 1/4-20 x 1.50" SHWH Slotted Hex Washer Head Tread-form Screw	na	na	Hardware item: check with customer support
	11-A-1096-01	11-A-1096	1	BK1A Instructions - Revised P1 Bonding Kit	See online Kit instruction sheets when needed		
P1SCRWS	11-A-2010-01	11-A-2010-01	1	P1 Branch breaker mounting screws - pack of 42 screws, part #11-A-1505-03, 10-32 x 0.312" Hex Washer Head Screw - Do Not Substitute	P1SCRWS	1 kit	P1 Branch breaker mounting screws - pack of 42 screws, part #11-A-1505-03, 10-32 x 0.312" Hex Washer Head Screw - Do Not Substitute
	11-A-1505-03	11-A-1505	42	Screw: 10-32 x0.281" Slotted Hex Washer Head SEMS	P1SCRWS	1 kit	P1 Branch breaker mounting screws - pack of 42 screws, part #11-A-1505-03, 10-32 x 0.312" Hex Washer Head Screw - Do Not Substitute
	11-A-1072-01	11-A-1072-01	1	P1SCRWS Instructions for P1 Branch Breaker Screws	See online Kit instruction sheets when needed		
P1CONBPHCU	11-D-2573-02	11-D-2573-02	1	RP1 B-Phase Replacement Copper Connectors, Kit of 6 pcs plus mounting hardware	P1CONBPHCU	1 kit	RP1 B-Phase Replacement Copper Connectors, Kit of 6 pcs plus mounting hardware
	11-D-3923-01	11-D-3923	6	Revised P1 B-Phase Copper Connector, Tin plated	na	na	na
	11-A-1505-03	11-A-1505	12	Screw: 10-32 x0.281" Slotted Hex Washer Head SEMS	P1SCRWS	1 kit	P1 Branch breaker mounting screws - pack of 42 screws, part #11-A-1505-03, 10-32 x 0.312" Hex Washer Head Screw - Do Not Substitute
	11-A-1568-01	11-A-1568	6	Screw: 10-24x0.50" Thread Forming Socket Head Cap Screw	na	na	Hardware item: check with customer support
	11-A-1122-01	11-A-1122	1	Installation Instructions for P1CONBPHCU and P1CONBPHAL RP1 B-phase Connector Kits	See online Kit instruction sheets when needed		
P1CONBPHAL	11-D-2573-01	11-D-2573-01	1	RP1 B-Phase Replacement Aluminum Connectors, Kit of 6 pcs plus mounting hardware	P1CONBPHAL	1 kit	RP1 B-Phase Replacement Aluminum Connectors, Kit of 6 pcs plus mounting hardware
	11-D-3914-01	11-D-3914	6	Revised P1 B-Phase Aluminum Connector, Tin plated	na	na	na
	11-A-1505-03	11-A-1505	12	Screw: 10-32 x0.281" Slotted Hex Washer Head SEMS	P1SCRWS	1 kit	P1 Branch breaker mounting screws - pack of 42 screws, part #11-A-1505-03, 10-32 x 0.312" Hex Washer Head Screw - Do Not Substitute
	11-A-1568-01	11-A-1568	6	Screw: 10-24x0.50" Thread Forming Socket Head Cap Screw	na	na	Hardware item: check with customer support
	11-A-1122-01	11-A-1122	1	Installation Instructions for P1CONBPHCU and P1CONBPHAL RP1 B-phase Connector Kits	See online Kit instruction sheets when needed		
P1CONACPHCU	11-D-2572-02	11-D-2572-02	1	RP1 A/C-Phase Replacement Copper Connectors, Kit of 6 pcs plus mounting hardware. Also can be used to replaced AL A/C-Phase Connectors.	P1CONACPHCU	1 kit	RP1 A/C-Phase Replacement Copper Connectors, Kit of 6 pcs plus mounting hardware. Also can be used to replaced AL A/C-Phase Connectors.
	11-D-3903-01	11-D-3903	6	Revised P1 A/C-Phase Copper Connector, Tin plated	na	na	na
	11-1576-06	11-1576	6	Screw: 10-24 X 0.562" ISHWHSW Indented Slotted Hex Washer Head Screw	na	na	Hardware item: check with customer support
	11-A-1505-03	11-A-1505	12	Screw: 10-32 x0.281" Slotted Hex Washer Head SEMS	P1SCRWS	1 kit	P1 Branch breaker mounting screws - pack of 42 screws, part #11-A-1505-03, 10-32 x 0.312" Hex Washer Head Screw - Do Not Substitute

Addendum B: P1 Kits and related parts (original P1 and Revised P1 included)

Distributor Kit # ref.	Base Part/ Assembly Reference #	Drawing # Ref	Kit Qty.	Kit or Part Description with additional info	Distributor Kit #	Dist Pack Qty.	Distributor Pack Description or additional info
	11-A-1119-01	11-A-1119	1	Installation Instructions for P1CONACPHCU and P1CONACPHAL RP1 A/C-phase Connector Kits	See online Kit instruction sheets when needed		
IMK1	11-A-2024-01	11-A-2024-01	1 kit	Interior Mounting Kit with Adjustment Provisions for P1/P2/P3	IMK1	1 kit	Interior Mounting Kit with Adjustment Provisions for P1/P2/P3
	11-1621-04	11-1621	4	Nut: Type D Wing Nut, Thread - 1/4-20	na	na	Hardware item: check with customer support (used in IMK1)
	11-1533-08	11-1533	4	Screw: 10-32 x 3/4" Hex Washer Head Screw	na	na	Hardware item: check with customer support
	13-D-1005-01	13-D-1005	1	Label: "Danger", ARC FLASH Danger Label, general use.	na	na	Generally included in IMK1 and many other kits/devices.
	11-A-1012-01	11-A-1012	1	Label: "CAUTION" Series Rating info label.	na	na	Generally included in IMK1 and many other kits/devices.
	11-A-1002-01	11-A-1002	1	IMK1 Interior Mounting Kit Instruction Sheet	See online Kit instruction sheets when needed		
CNLK30A	11-D-2533-01	11-D-2533-01	1	Revised P1 250A Copper Neutral Lug Kit for 18 & 30 circuit interiors. Copper Line Lug and 2 Copper neutral strips (1/0 max.) included with hardware.	CNLK30A	1 kit	Revised P1 250A Copper Neutral Lug Kit for 18 & 30 circuit interiors. Copper Line Lug and 2 Copper neutral strips (1/0 max.) included with hardware.
	11-D-1811-01	11-D-1811	2	RP1 Copper Neutral Strip, 17 connections (five 1/0 and twelve #6) , 5.80" long	na	na	Copper neutral strip used in these kits: CNLK30A, 2NLK30A, 42NLK30A, CNLK54A, 2NLK54A, 42NLK54A
	11-A-1568-03	11-A-1568	4	Screw: 10-24x1.125" Thread Forming Socket Head Cap Screw	na	na	Hardware item: check with customer support
	11-D-2496-01	11-D-2496-01	1	Revised P1 250A Copper Neutral Lug Assembly, #6-350kcmil max., Copper wire only, single cable only, 11-D-1809-01	na	na	Copper neutral lug asm used in these kits: CNLK30A, CNLK42A, CNLK54A, MLK1CA, MLK3CA
	11-A-1520-07	11-A-1520	1	Screw: 5/16-18 X 0.750" IHWSHW, Indented Hex Washer-Head Screw, Thread Forming SEMS with captive Belleville washer.	na	na	Hardware item: check with customer support
	11-1540-02	11-1540	1	Screw: Carriage Bolt, 1/4-20 X 1 RHSNB, Grade 5, full thread	na	na	Hardware item: check with customer support
	11-1553-04	11-1553	1	Screw: 1/4-20 X 0.50" ISHWSHW Indented Slotted Hex Washer Head Screw	na	na	Hardware item: check with customer support
	11-A-1521-01	11-A-1521	1	Nut: Belleville Washer Nut, 1/4-20, narrow	na	na	Hardware item: check with customer support
	11-A-1102-01	11-A-1102	1	Instruction Sheet for Revised P1 250A Copper Neutral Kits, CNLK30A, CNLK42A, CNLK54A	See online Kit instruction sheets when needed		
CNLK42A	11-D-2533-02	11-D-2533-02	1	Revised P1 250A Copper Neutral Lug Kit for 42 circuit interiors. Copper Line Lug and 2 Copper neutral strips (1/0 max.) included with hardware.	CNLK42A	1 kit	Revised P1 250A Copper Neutral Lug Kit for 42 circuit interiors. Copper Line Lug and 2 Copper neutral strips (1/0 max.) included with hardware.
	11-D-1811-02	11-D-1811	2	RP1 Copper Neutral Strip, 25 connections (seven 1/0 and eighteen #6) , 8.14" long	na	na	Copper neutral strip used in these kits: CNLK42A, 2NLK42A, 42NLK42A
	11-A-1568-03	11-A-1568	4	Screw: 10-24x1.125" Thread Forming Socket Head Cap Screw	na	na	Hardware item: check with customer support
	11-D-2496-01	11-D-2496-01	1	Revised P1 250A Copper Neutral Lug Assembly, #6-350kcmil max., Copper wire only, single cable only, 11-D-1809-01	na	na	Copper neutral lug asm used in these kits: CNLK30A, CNLK42A, CNLK54A, MLK1CA, MLK3CA
	11-A-1520-07	11-A-1520	1	Screw: 5/16-18 X 0.750" IHWSHW, Indented Hex Washer-Head Screw, Thread Forming SEMS with captive Belleville washer.	na	na	Hardware item: check with customer support
	11-D-3217-01	11-D-3217	1	Revised P1 Anti Turn Plate, 16GA Galvanized	na	na	na
	11-1540-02	11-1540	1	Screw: Carriage Bolt, 1/4-20 X 1 RHSNB, Grade 5, full thread	na	na	Hardware item: check with customer support
	11-A-1521-01	11-A-1521	1	Nut: Belleville Washer Nut, 1/4-20, narrow	na	na	Hardware item: check with customer support

Addendum B: P1 Kits and related parts (original P1 and Revised P1 included)

Distributor Kit # ref.	Base Part/ Assembly Reference #	Drawing # Ref	Kit Qty.	Kit or Part Description with additional info	Distributor Kit #	Dist Pack Qty.	Distributor Pack Description or additional info
	11-A-1102-01	11-A-1102	1	Instruction Sheet for Revised P1 250A Copper Neutral Kits, CNLK30A, CNLK42A, CNLK54A	See online Kit instruction sheets when needed		
CNLK54A	11-D-2533-03	11-D-2533-03	1	Revised P1 250A Copper Neutral Lug Kit for 54 & 66 circuit interiors. Copper Line Lug and 4 Copper neutral strips (1/0 max.) included with hardware.	CNLK54A	1 kit	Revised P1 250A Copper Neutral Lug Kit for 54 & 66 circuit interiors. Copper Line Lug and 4 Copper neutral strips (1/0 max.) included with hardware.
	11-D-1811-01	11-D-1811	4	RP1 Copper Neutral Strip, 17 connections (five 1/0 and twelve #6) , 5.80" long	na	na	Copper neutral strip used in these kits: CNLK30A, 2NLK30A, 42NLK30A, CNLK54A, 2NLK54A, 42NLK54A
	11-A-1568-03	11-A-1568	8	Screw: 10-24x1.125" Thread Forming Socket Head Cap Screw	na	na	Hardware item: check with customer support
	11-D-2496-01	11-D-2496-01	1	Revised P1 250A Copper Neutral Lug Assembly, #6-350kcmil max., Copper wire only, single cable only, 11-D-1809-01	na	na	Copper neutral lug asm used in these kits: CNLK30A, CNLK42A, CNLK54A, MLK1CA, MLK3CA
	11-A-1520-07	11-A-1520	1	Screw: 5/16-18 X 0.750" IHWSHW, Indented Hex Washer-Head Screw, Thread Forming SEMS with captive Belleville washer.	na	na	Hardware item: check with customer support
	11-D-3217-01	11-D-3217	1	Revised P1 Anti Turn Plate, 16GA Galvanized	na	na	na
	11-1540-02	11-1540	1	Screw: Carriage Bolt, 1/4-20 X 1 RHSNB, Grade 5, full thread	na	na	Hardware item: check with customer support
	11-1553-04	11-1553	1	Screw: 1/4-20 X 0.50" ISHWSHW Indented Slotted Hex Washer Head Screw	na	na	Hardware item: check with customer support
	11-A-1521-01	11-A-1521	1	Nut: Belleville Washer Nut, 1/4-20, narrow	na	na	Hardware item: check with customer support
	11-A-1102-01	11-A-1102	1	Instruction Sheet for Revised P1 250A Copper Neutral Kits, CNLK30A, CNLK42A, CNLK54A	See online Kit instruction sheets when needed		
LNLK30A	11-D-2535-01	11-D-2535-01	1	Revised P1 2/0 Neutral Lug Kit for 18 & 30 circuit interiors. Two Aluminum neutral strips included with hardware. For both 250A and 400A applications. 30 connections total, (8x 2/0 max and 22x #6 max.) CU or AL cable.	LNLK30A	1 kit	Revised P1 2/0 Neutral Lug Kit for 18 & 30 circuit interiors. Two Aluminum neutral strips included with hardware. For both 250A and 400A applications. 30 connections total, (8x 2/0 max and 22x #6 max.) CU or AL cable.
	11-D-1814-01	11-D-1814	2	RP1 2/0 Neutral Strip, 15 connections (four 2/0 and eleven #6) , 6.17" long, CU or AL cable.	na	na	Revised P1 2/0 neutral strip used in these kits: LNLK30A and LNLK54A
	11-A-1568-03	11-A-1568	2	Screw: 10-24x1.125" Thread Forming Socket Head Cap Screw	na	na	Hardware item: check with customer support
	11-1553-09	11-1553	2	Screw: 1/4-20 X 1" ISHWSHW Indented Slotted Hex Washer Head Screw	na	na	Hardware item: check with customer support
	11-1553-10	11-1553	2	Screw: 1/4-20 X 1.125" ISHWSHW Indented Slotted Hex Washer Head Screw	na	na	Hardware item: check with customer support
	11-A-1103-01	11-A-1103	1	Instruction Sheet for Revised P1 2/0 Neutral Kits, LNLK30A, LNLK42A, LNLK54A	See online Kit instruction sheets when needed		
LNLK42A	11-D-2535-02	11-D-2535-02	1	Revised P1 2/0 Neutral Lug Kit for 42 circuit interiors. Two Aluminum neutral strips included with hardware. For both 250A and 400A applications. 46 connections total, (12x 2/0 max and 34x #6 max.) CU or AL cable.	LNLK42A	1 kit	Revised P1 2/0 Neutral Lug Kit for 42 circuit interiors. Two Aluminum neutral strips included with hardware. For both 250A and 400A applications. 46 connections total, (12x 2/0 max and 34x #6 max.) CU or AL cable.
	11-D-1814-02	11-D-1814	2	RP1 2/0 Neutral Strip, 23 connections (six 2/0 and seventeen #6) , 6.17" long, CU or AL cable.	na	na	Revised P1 2/0 neutral strip used in these kits: LNLK42A and LNLK54A
	11-A-1568-03	11-A-1568	2	Screw: 10-24x1.125" Thread Forming Socket Head Cap Screw	na	na	Hardware item: check with customer support
	11-1553-09	11-1553	2	Screw: 1/4-20 X 1" ISHWSHW Indented Slotted Hex Washer Head Screw	na	na	Hardware item: check with customer support

Addendum B: P1 Kits and related parts (original P1 and Revised P1 included)

Distributor Kit # ref.	Base Part/ Assembly Reference #	Drawing # Ref	Kit Qty.	Kit or Part Description with additional info	Distributor Kit #	Dist Pack Qty.	Distributor Pack Description or additional info
	11-1553-10	11-1553	2	Screw: 1/4-20 X 1.125" ISHWHSW Indented Slotted Hex Washer Head Screw	na	na	Hardware item: check with customer support
	11-A-1103-01	11-A-1103	1	Instruction Sheet for Revised P1 2/0 Neutral Kits, LNLK30A, LNLK42A, LNLK54A	See online Kit instruction sheets when needed		
LNLK54A	11-D-2535-03	11-D-2535-03	1	Revised P1 2/0 Neutral Lug Kit for 54 & 66 circuit interiors. Four Aluminum neutral strips included with hardware. For both 250A and 400A applications. 76 connections total (20x 2/0 max and 56x #6 max.) CU or AL cable.	LNLK54A	1 kit	Revised P1 2/0 Neutral Lug Kit for 54 & 66 circuit interiors. Four Aluminum neutral strips included with hardware. For both 250A and 400A applications. 76 connections total (20x 2/0 max and 56x #6 max.) CU or AL cable.
	11-D-1814-01	11-D-1814	2	RP1 2/0 Neutral Strip, 15 connections (four 2/0 and eleven #6) , 6.17" long, CU or AL cable.	na	na	Revised P1 2/0 neutral strip used in these kits: LNLK30A and LNLK54A
	11-D-1814-02	11-D-1814	2	RP1 2/0 Neutral Strip, 23 connections (six 2/0 and seventeen #6) , 6.17" long, CU or AL cable.	na	na	Revised P1 2/0 neutral strip used in these kits: LNLK42A and LNLK54A
	11-A-1568-03	11-A-1568	4	Screw: 10-24x1.125" Thread Forming Socket Head Cap Screw	na	na	Hardware item: check with customer support
	11-1553-09	11-1553	4	Screw: 1/4-20 X 1" ISHWHSW Indented Slotted Hex Washer Head Screw	na	na	Hardware item: check with customer support
	11-1553-10	11-1553	4	Screw: 1/4-20 X 1.125" ISHWHSW Indented Slotted Hex Washer Head Screw	na	na	Hardware item: check with customer support
	11-A-1103-01	11-A-1103	1	Instruction Sheet for Revised P1 2/0 Neutral Kits, LNLK30A, LNLK42A, LNLK54A	See online Kit instruction sheets when needed		
2NLK30A	11-D-2534-01	11-D-2534-01	1	Revised P1 250A 200% Neutral Lug Kit for 18 & 30 circuit interiors. Two Aluminum Line Lugs (#6-350kcmil AL or CU cable) and 2 Copper neutral strips (1/0 max.) included with hardware.	2NLK30A	1 kit	Revised P1 250A 200% Neutral Lug Kit for 18 & 30 circuit interiors. Two Aluminum Line Lugs and 2 Copper neutral strips (1/0 max.) included with hardware.
	11-A-1888-01	11-A-1888	2	350kcmil Aluminum Lug, #6-350kcmil, CU or AL cable, 0.265" dia. mounting hole. See Assembly number 11-A-2070-01 for lug with stud inserted.	na	na	Lug used in many kits and neutral applications. ref. ILSCO # D3804-00 (for Lug with stud inserted - see # 11-A-2070-01)
	11-A-1645-01	11-A-1645	2	Bolt: 1/4-20 x .875" Steel Ribbed-neck Bolt	na	na	Hardware item: check with customer support
	11-A-1521-01	11-A-1521	2	Nut: Belleville Washer Nut, 1/4-20, narrow	na	na	Hardware item: check with customer support
	11-D-1811-01	11-D-1811	2	RP1 Copper Neutral Strip, 17 connections (five 1/0 and twelve #6) , 5.80" long	na	na	Copper neutral strip used in these kits: CNLK30A, 2NLK30A, 42NLK30A, CNLK54A, 2NLK54A, 42NLK54A
	11-A-1568-03	11-A-1568	4	Screw: 10-24x1.125" Thread Forming Socket Head Cap Screw	na	na	Hardware item: check with customer support
	11-A-1011-01	11-A-1011	1	Label: 200% Neutral Label used in most Original P1 and RP1 200% neutral kits and others where appropriate.	na	na	See x2NLKxx Kits
	11-A-1104-01	11-A-1104	1	Instruction Sheet for Revised P1 250A 200% Neutral Kits, 2NLK30A, 2NLK42A, 2NLK54A	See online Kit instruction sheets when needed		
2NLK42A	11-D-2534-02	11-D-2534-02	1	Revised P1 250A 200% Neutral Lug Kit for 42 circuit interiors. Two Aluminum Line Lugs (#6-350kcmil AL or CU cable) and 2 Copper neutral strips (1/0 max.) included with hardware.	2NLK42A	1 kit	Revised P1 250A 200% Neutral Lug Kit for 42 circuit interiors. Two Aluminum Line Lugs and 2 Copper neutral strips (1/0 max.) included with hardware.
	11-A-1888-01	11-A-1888	2	350kcmil Aluminum Lug, #6-350kcmil, CU or AL cable, 0.265" dia. mounting hole. See Assembly number 11-A-2070-01 for lug with stud inserted.	na	na	Lug used in many kits and neutral applications. ref. ILSCO # D3804-00 (for Lug with stud inserted - see # 11-A-2070-01)

Addendum B: P1 Kits and related parts (original P1 and Revised P1 included)

Distributor Kit # ref.	Base Part/ Assembly Reference #	Drawing # Ref	Kit Qty.	Kit or Part Description with additional info	Distributor Kit #	Dist Pack Qty.	Distributor Pack Description or additional info
	11-A-1645-01	11-A-1645	2	Bolt: 1/4-20 x .875" Steel Ribbed-neck Bolt	na	na	Hardware item: check with customer support
	11-A-1521-01	11-A-1521	2	Nut: Belleville Washer Nut, 1/4-20, narrow	na	na	Hardware item: check with customer support
	11-D-1811-02	11-D-1811	2	RP1 Copper Neutral Strip, 25 connections (seven 1/0 and eighteen #6) , 8.14" long	na	na	Copper neutral strip used in these kits: CNLK42A, 2NLK42A, 42NLK42A
	11-A-1568-03	11-A-1568	4	Screw: 10-24x1.125" Thread Forming Socket Head Cap Screw	na	na	Hardware item: check with customer support
	11-A-1011-01	11-A-1011	1	Label: 200% Neutral Label used in most Original P1 and RP1 200% neutral kits and others where appropriate.	na	na	See x2NLKxx Kits
	11-A-1104-01	11-A-1104	1	Instruction Sheet for Revised P1 250A 200% Neutral Kits, 2NLK30A, 2NLK42A, 2NLK54A	See online Kit instruction sheets when needed		
2NLK54A	11-D-2534-03	11-D-2534-03	1	Revised P1 250A 200% Neutral Lug Kit for 54 & 66 circuit interiors. Two Aluminum Line Lugs (#6-350kcmil AL or CU cable) and 4 Copper neutral strips (1/0 max.) included with hardware.	2NLK54A	1 kit	Revised P1 250A 200% Neutral Lug Kit for 54 & 66 circuit interiors. Two Aluminum Line Lugs and 4 Copper neutral strips (1/0 max.) included with hardware.
	11-A-1888-01	11-A-1888	2	350kcmil Aluminum Lug, #6-350kcmil, CU or AL cable, 0.265" dia. mounting hole. See Assembly number 11-A-2070-01 for lug with stud inserted.	na	na	Lug used in many kits and neutral applications. ref. ILSCO # D3804-00 (for Lug with stud inserted - see # 11-A-2070-01)
	11-A-1645-01	11-A-1645	2	Bolt: 1/4-20 x .875" Steel Ribbed-neck Bolt	na	na	Hardware item: check with customer support
	11-A-1521-01	11-A-1521	2	Nut: Belleville Washer Nut, 1/4-20, narrow	na	na	Hardware item: check with customer support
	11-D-1811-01	11-D-1811	4	RP1 Copper Neutral Strip, 17 connections (five 1/0 and twelve #6) , 5.80" long	na	na	Copper neutral strip used in these kits: CNLK30A, 2NLK30A, 42NLK30A, CNLK54A, 2NLK54A, 42NLK54A
	11-A-1568-03	11-A-1568	8	Screw: 10-24x1.125" Thread Forming Socket Head Cap Screw	na	na	Hardware item: check with customer support
	11-A-1011-01	11-A-1011	1	Label: 200% Neutral Label used in most Original P1 and RP1 200% neutral kits and others where appropriate.	na	na	See x2NLKxx Kits
	11-A-1104-01	11-A-1104	1	Instruction Sheet for Revised P1 250A 200% Neutral Kits, 2NLK30A, 2NLK42A, 2NLK54A	See online Kit instruction sheets when needed		
42NLK30A	11-D-2540-01	11-D-2540-01	1	Revised P1 400A 200% Neutral Lug Kit for 18 & 30 circuit interiors. Two Aluminum Line Lugs (#6-350kcmil AL or CU cable) and 2 Copper neutral strips (1/0 max.) included with hardware.	42NLK30A	1 kit	Revised P1 400A 200% Neutral Lug Kit for 18 & 30 circuit interiors. Two Aluminum Line Lugs (#6-350kcmil AL or CU cable) and 2 Copper neutral strips (1/0 max.) included with hardware.
	11-D-1811-01	11-D-1811	2	RP1 Copper Neutral Strip, 17 connections (five 1/0 and twelve #6) , 5.80" long	na	na	Copper neutral strip used in these kits: CNLK30A, 2NLK30A, 42NLK30A, CNLK54A, 2NLK54A, 42NLK54A
	11-A-1568-03	11-A-1568	4	Screw: 10-24x1.125" Thread Forming Socket Head Cap Screw	na	na	Hardware item: check with customer support
	11-D-3925-01	11-D-3925	1	Revised P1 Service Ground Electrode/Pad, 0.125"x0.875" Copper, tin plated. Used with RP1 400A 200% Neutral kits.	na	na	See 42NLKxxA Kits
	11-1868-01	11-1868	1	300kcmil max. Aluminum Connector collar with binding screw, used in both Original and RP1 applications	na	na	See 42NLKxx Kits and 42NLKxxA
	11-1615-03	11-1615	2	Washer: Type A Plain 1/4" Wide, Narrow , .281"x.625"x.065"	na	na	Hardware item: check with customer support
	11-1618-03	11-1618	2	Washer: 1/4" Helical Spring Lock washer, .255"x.489"x.062"	na	na	Hardware item: check with customer support

Addendum B: P1 Kits and related parts (original P1 and Revised P1 included)

Distributor Kit # ref.	Base Part/ Assembly Reference #	Drawing # Ref	Kit Qty.	Kit or Part Description with additional info	Distributor Kit #	Dist Pack Qty.	Distributor Pack Description or additional info
	11-1546-02	11-1546	2	Screw: 1/4-20 X 1/2" HHMS Hex Head Machine Screw	na	na	Hardware item: check with customer support
	11-1576-06	11-1576	2	Screw: 10-24 X 0.562" ISHWHSW Indented Slotted Hex Washer Head Screw	na	na	Hardware item: check with customer support
	11-A-1867-01	11-A-1867	1	600kcmil-2AWG Aluminum Lug w/anti-turn provision, 0.313" dia. mounting hole, for single Copper or Aluminum cable, (ref. ILSCO # D3738A22T), used in RP1 400A MB, MLO and Neutral kits.	na	na	See 42NLKxxA, 4MLKxA, and MBKJDxA Kits
	11-D-3218-01	11-D-3218	1	Anti-turn plate, 16GA Galvanized, 0.281" Square mounting hole, used in RP1 400A MB, MLO and Neutral kits.	na	na	See 42NLKxxA, 4MLKxA, and MBKJDxA Kits
	11-1540-02	11-1540	1	Screw: Carriage Bolt, 1/4-20 X 1 RHSNB, Grade 5, full thread	na	na	Hardware item: check with customer support
	11-A-1521-01	11-A-1521	1	Nut: Belleville Washer Nut, 1/4-20, narrow	na	na	Hardware item: check with customer support
	11-A-1011-01	11-A-1011	1	Label: 200% Neutral Label used in most Original P1 and RP1 200% neutral kits and others where appropriate.	na	na	See x2NLKxx Kits
	11-A-1107-01	11-A-1107	1	Instruction Sheet for Revised P1 400A 200% Neutral Kits, 42NLK30A, 42NLK42A, 42NLK54A	See online Kit instruction sheets when needed		
42NLK42A	11-D-2540-02	11-D-2540-02	1	Revised P1 400A 200% Neutral Lug Kit for 42 circuit interiors. Two Aluminum Line Lugs (#6-350kcmil AL or CU cable) and 2 Copper neutral strips (1/0 max.) included with hardware.	42NLK42A	1 kit	Revised P1 400A 200% Neutral Lug Kit for 42 circuit interiors. Two Aluminum Line Lugs (#6-350kcmil AL or CU cable) and 2 Copper neutral strips (1/0 max.) included with hardware.
	11-D-1811-02	11-D-1811	2	RP1 Copper Neutral Strip, 25 connections (seven 1/0 and eighteen #6) , 8.14" long	na	na	Copper neutral strip used in these kits: CNLK42A, 2NLK42A, 42NLK42A
	11-A-1568-03	11-A-1568	4	Screw: 10-24x1.125" Thread Forming Socket Head Cap Screw	na	na	Hardware item: check with customer support
	11-D-3925-01	11-D-3925	1	Revised P1 Service Ground Electrode/Pad, 0.125"x0.875" Copper, tin plated. Used with RP1 400A 200% Neutral kits.	na	na	See 42NLKxxA Kits
	11-1868-01	11-1868	1	300kcmil max. Aluminum Connector collar with binding screw, used in both Original and RP1 applications	na	na	See 42NLKxx Kits and 42NLKxxA
	11-1615-03	11-1615	2	Washer: Type A Plain 1/4" Wide, Narrow , .281"x.625"x.065"	na	na	Hardware item: check with customer support
	11-1618-03	11-1618	2	Washer: 1/4" Helical Spring Lock washer, .255"x.489"x.062"	na	na	Hardware item: check with customer support
	11-1546-02	11-1546	2	Screw: 1/4-20 X 1/2" HHMS Hex Head Machine Screw	na	na	Hardware item: check with customer support
	11-1576-06	11-1576	2	Screw: 10-24 X 0.562" ISHWHSW Indented Slotted Hex Washer Head Screw	na	na	Hardware item: check with customer support
	11-A-1867-01	11-A-1867	1	600kcmil-2AWG Aluminum Lug w/anti-turn provision, 0.313" dia. mounting hole, for single Copper or Aluminum cable, (ref. ILSCO # D3738A22T), used in RP1 400A MB, MLO and Neutral kits.	na	na	See 42NLKxxA, 4MLKxA, and MBKJDxA Kits
	11-D-3218-01	11-D-3218	1	Anti-turn plate, 16GA Galvanized, 0.281" Square mounting hole, used in RP1 400A MB, MLO and Neutral kits.	na	na	See 42NLKxxA, 4MLKxA, and MBKJDxA Kits
	11-1540-02	11-1540	1	Screw: Carriage Bolt, 1/4-20 X 1 RHSNB, Grade 5, full thread	na	na	Hardware item: check with customer support
	11-A-1521-01	11-A-1521	1	Nut: Belleville Washer Nut, 1/4-20, narrow	na	na	Hardware item: check with customer support
	11-A-1011-01	11-A-1011	1	Label: 200% Neutral Label used in most Original P1 and RP1 200% neutral kits and others where appropriate.	na	na	See x2NLKxx Kits

Addendum B: P1 Kits and related parts (original P1 and Revised P1 included)

Distributor Kit # ref.	Base Part/ Assembly Reference #	Drawing # Ref	Kit Qty.	Kit or Part Description with additional info	Distributor Kit #	Dist Pack Qty.	Distributor Pack Description or additional info
	11-A-1107-01	11-A-1107	1	Instruction Sheet for Revised P1 400A 200% Neutral Kits, 42NLK30A, 42NLK42A, 42NLK54A	See online Kit instruction sheets when needed		
42NLK54A	11-D-2540-03	11-D-2540-03	1	Revised P1 400A 200% Neutral Lug Kit for 54 & 66 circuit interiors. Two Aluminum Line Lugs (#6-350kcmil AL or CU cable) and 4 Copper neutral strips (1/0 max.) included with hardware.	42NLK54A	1 kit	Revised P1 400A 200% Neutral Lug Kit for 54 & 66 circuit interiors. Two Aluminum Line Lugs (#6-350kcmil AL or CU cable) and 4 Copper neutral strips (1/0 max.) included with hardware.
	11-D-1811-01	11-D-1811	4	RP1 Copper Neutral Strip, 17 connections (five 1/0 and twelve #6) , 5.80" long	na	na	Copper neutral strip used in these kits: CNLK30A, 2NLK30A, 42NLK30A, CNLK54A, 2NLK54A, 42NLK54A
	11-A-1568-03	11-A-1568	8	Screw: 10-24x1.125" Thread Forming Socket Head Cap Screw	na	na	Hardware item: check with customer support
	11-D-3925-01	11-D-3925	1	Revised P1 Service Ground Electrode/Pad, 0.125"x0.875" Copper, tin plated. Used with RP1 400A 200% Neutral kits.	na	na	See 42NLKxxA Kits
	11-1868-01	11-1868	1	300kcmil max. Aluminum Connector collar with binding screw, used in both Original and RP1 applications	na	na	See 42NLKxx Kits and 42NLKxxA
	11-1615-03	11-1615	2	Washer: Type A Plain 1/4" Wide, Narrow , .281"x.625"x.065"	na	na	Hardware item: check with customer support
	11-1618-03	11-1618	2	Washer: 1/4" Helical Spring Lock washer, .255"x.489"x.062"	na	na	Hardware item: check with customer support
	11-1546-02	11-1546	2	Screw: 1/4-20 X 1/2" HHMS Hex Head Machine Screw	na	na	Hardware item: check with customer support
	11-1576-06	11-1576	2	Screw: 10-24 X 0.562" ISHWHSW Indented Slotted Hex Washer Head Screw	na	na	Hardware item: check with customer support
	11-A-1867-01	11-A-1867	1	600kcmil-2AWG Aluminum Lug w/anti-turn provision, 0.313" dia. mounting hole, for single Copper or Aluminum cable, (ref. ILSCO # D3738A22T), used in RP1 400A MB, MLO and Neutral kits.	na	na	See 42NLKxxA, 4MLKAxA, and MBKJDxA Kits
	11-D-3218-01	11-D-3218	1	Anti-turn plate, 16GA Galvanized, 0.281" Square mounting hole, used in RP1 400A MB, MLO and Neutral kits.	na	na	See 42NLKxxA, 4MLKAxA, and MBKJDxA Kits
	11-1540-02	11-1540	1	Screw: Carriage Bolt, 1/4-20 X 1 RHSNB, Grade 5, full thread	na	na	Hardware item: check with customer support
	11-A-1521-01	11-A-1521	1	Nut: Belleville Washer Nut, 1/4-20, narrow	na	na	Hardware item: check with customer support
	11-A-1011-01	11-A-1011	1	Label: 200% Neutral Label used in most Original P1 and RP1 200% neutral kits and others where appropriate.	na	na	See x2NLKxx Kits
	11-A-1107-01	11-A-1107	1	Instruction Sheet for Revised P1 400A 200% Neutral Kits, 42NLK30A, 42NLK42A, 42NLK54A	See online Kit instruction sheets when needed		
MLKA3A	11-D-2531-02	11-D-2531-02	1 kit	Revised P1 250A 3-phase Main or Feed-thru Lug Kit, AL connectors for #6-350kcmil CU or AL cable.	MLKA3A	1 kit	Revised P1 250A 3-phase Main or Feed-thru Lug Kit, AL connectors for #6-350kcmil CU or AL cable.
	11-A-2070-01	11-A-2070-01	4	350kcmil Aluminum Lug Assembly, 250A max., #6-350kcmil, CU or AL cable, 0.265" dia. mounting hole. With 1/4-20 x .875" Steel Ribbed-neck Bolt inserted.	na	na	Used for many 250A max., P1 and RP1 Main Lug and Neutral Lug applications. (#11-A-1888-01 Lug and # 11-A-1645-01 stud)
	11-A-1521-01	11-A-1521	4	Nut: Belleville Washer Nut, 1/4-20, narrow	na	na	Hardware item: check with customer support
	11-D-4560-01	11-D-4560-01	1	P1 (original and revised) Blank filler plate, 250A Main/Subfeed opening, also used in many other applications. (Installs Vertical for 400A Main)	DFFP01A	1 kit	P1 Main Blank Filler Plate - 1 Piece (use for Original or Revised P1 - also replaces 12-A-1801-01) (Vertical for 400A Main)

Addendum B: P1 Kits and related parts (original P1 and Revised P1 included)

Distributor Kit # ref.	Base Part/ Assembly Reference #	Drawing # Ref	Kit Qty.	Kit or Part Description with additional info	Distributor Kit #	Dist Pack Qty.	Distributor Pack Description or additional info
	11-1058-01	11-1058-01	1	Label: "Main Lug 125 Amps", 1.0" x 2.0"	na	na	General use label used for most applications that need 125A Main Lug label.
	11-1059-01	11-1059-01	1	Label: "Main Lug 250 Amps", 1.0" x 2.0"	na	na	General use label used for most applications that need 250A Main Lug label.
	11-A-1105-01	11-A-1105-01	1	MLKA1A and MLKA3A Instructions for 250A Revised P1 Main or Feed-thru Lug Kits.	See online Kit instruction sheets when needed		
MLKC1A	11-D-2532-01	11-D-2532-01	1 kit	Revised P1 250A Copper 1-phase Main or Feed-thru Lug Kit, CU connectors for #6-350kcmil CU only cable.	MLKC1A	1 kit	Revised P1 250A Copper 1-phase Main or Feed-thru Lug Kit, CU connectors for #6-350kcmil CU only cable.
	11-A-1508-04	11-A-1508	2	Screw: 1/4-20 x0.50" Slotted Hex Washer Head SIMS	na	na	Hardware item: check with customer support
	11-A-1848-01	11-A-1848	2	350 kcmil Lay-in Lug, Copper material, with steel binding screw, typically used for P1 neutral connections. (Original P1 and RP1)	na	na	See RP1 MLKC1A/MLKC3A and also Original P1 MLKC1/MLKC3 and CNLKxx/2NLKxx
	11-A-4075-01	11-A-4075	2	Lug Pad, 250A max., Copper, tin plated, 0.125" thick. Used for various S1/S2/P1 applications. (size approx. 1.0"W x1.94"L)	na	na	Lug Pad, 250A max., Copper, tin plated, 0.125" thick. Used for various S1/S2/P1 applications. (size approx. 1.0"W x1.94"L)
	11-A-1505-02	11-A-1505	4	Screw: 10-32 x0.375" Slotted Hex Washer Head SEMS	na	na	Hardware item: check with customer support
	11-D-1809-01	11-D-1809	1	Lug Assembly, Tin plated Copper body for Copper cable only, #6-350kcmil with steel binding screw.	na	na	Lug Assembly, Tin plated Copper body for Copper cable only, #6-350kcmil with steel binding screw.
	11-D-3915-01	11-D-3915	1	Lug Pad, 250A max., Copper, tin plated, 0.188" thick. Used for various Revised P1 applications. (size approx. 0.75"W x2.30"L x 0.90"H)	na	na	Lug Pad, 250A max., Copper, tin plated, 0.188" thick. Used for various Revised P1 applications. (size approx. 0.75"W x2.30"L x 0.90"H)
	11-D-4542-01	11-D-4542	1	Lug Barrier/Insulator, used for Copper lug in many Revised P1 applications. 0.031" thick Fastex or PolyPro-FR material. (part size approx. 1.12"W x1.87"L x 0.76"H)	na	na	Lug Barrier/Insulator, used for Copper lug in many Revised P1 applications. 0.031" thick Fastex or PolyPro-FR material. (part size approx. 1.12"W x1.87"L x 0.76"H)
	11-1553-03	11-1553	1	Screw: 1/4-20 X 0.437" ISHWHSW Indented Slotted Hex Washer Head Screw	na	na	Hardware item: check with customer support
	11-A-1520-07	11-A-1520	1	Screw: 5/16-18 X 0.750" IHWSHW, Indented Hex Washer-Head Screw, Thread Forming SEMS with captive Belleville washer.	na	na	Hardware item: check with customer support
	11-1648-01	11-1648	1	Rivet: PLASTIC TREE RIVET	na	na	Hardware item: check with customer support
	11-D-1810-01	11-D-1810	2	Revised P1 AL neutral Strip, 17 positions total, tin plated, #14-1/0 (5 pos) and #14-#6 (12 pos) , CU or AL cable	na	na	Revised P1 AL neutral Strip, 17 positions total, tin plated, #14-1/0 (5 pos) and #14-#6 (12 pos) , CU or AL cable
	11-A-1568-03	11-A-1568	4	Screw: 10-24x1.125" Thread Forming Socket Head Cap Screw	na	na	Hardware item: check with customer support
	11-D-4560-01	11-D-4560-01	1	P1 (original and revised) Blank filler plate, 250A Main/Subfeed opening, also used in many other applications. (Installs Vertical for 400A Main)	DFFP01A	1 kit	P1 Main Blank Filler Plate - 1 Piece (use for Original or Revised P1 - also replaces 12-A-1801-01) (Vertical for 400A Main)
	11-1058-01	11-1058-01	1	Label: "Main Lug 125 Amps", 1.0" x 2.0"	na	na	General use label used for most applications that need 125A Main Lug label.
	11-1059-01	11-1059-01	1	Label: "Main Lug 250 Amps", 1.0" x 2.0"	na	na	General use label used for most applications that need 250A Main Lug label.

Addendum B: P1 Kits and related parts (original P1 and Revised P1 included)

Distributor Kit # ref.	Base Part/ Assembly Reference #	Drawing # Ref	Kit Qty.	Kit or Part Description with additional info	Distributor Kit #	Dist Pack Qty.	Distributor Pack Description or additional info
	11-A-1106-01	11-A-1106-01	1	MLKC1A and MLKC3A Instructions for 250A Revised P1 Main or Feed-thru Lug Kits.	See online Kit instruction sheets when needed		
MLKC3A	11-D-2532-02	11-D-2532-02	1 kit	Revised P1 250A Copper 3-phase Main or Feed-thru Lug Kit, CU connectors for #6-350kcmil CU only cable.	MLKC3A	1 kit	Revised P1 250A Copper 3-phase Main or Feed-thru Lug Kit, CU connectors for #6-350kcmil CU only cable.
	11-A-1508-04	11-A-1508	3	Screw: 1/4-20 x0.50" Slotted Hex Washer Head SIMS	na	na	Hardware item: check with customer support
	11-A-1848-01	11-A-1848	3	350 kcmil Lay-in Lug, Copper material, with steel binding screw, typically used for P1 neutral connections. (Original P1 and RP1)	na	na	See RP1 MLKC1A/MLKC3A and also Original P1 MLKC1/MLKC3 and CNLKxx/2NLKxx
	11-A-4075-01	11-A-4075	3	Lug Pad, 250A max., Copper, tin plated, 0.125" thick. Used for various S1/S2/P1 applications. (size approx. 1.0"W x1.94"L)	na	na	Lug Pad, 250A max., Copper, tin plated, 0.125" thick. Used for various S1/S2/P1 applications. (size approx. 1.0"W x1.94"L)
	11-A-1505-02	11-A-1505	6	Screw: 10-32 x0.375" Slotted Hex Washer Head SEMS	na	na	Hardware item: check with customer support
	11-D-4556-01	11-D-4556	1	Main Lug Barrier/Insulator, used for B-phase Copper lug in Revised P1 3-phase applications. 0.031" thick Fastex or PolyPro-FR material. (part size approx. 1.03"W x1.77"L x 1.38"H)	na	na	Used for 250A max., RP1 CU 3-phase Main Lug applications.
	11-D-4542-01	11-D-4542	1	Lug Barrier/Insulator, used for Copper lug in many Revised P1 applications. 0.031" thick Fastex or PolyPro-FR material. (part size approx. 1.12"W x1.87"L x 0.76"H)	na	na	Lug Barrier/Insulator, used for Copper lug in many Revised P1 applications. 0.031" thick Fastex or PolyPro-FR material. (part size approx. 1.12"W x1.87"L x 0.76"H)
	11-D-1809-01	11-D-1809	1	Lug Assembly, Tin plated Copper body for Copper cable only, #6-350kcmil with steel binding screw.	na	na	Lug Assembly, Tin plated Copper body for Copper cable only, #6-350kcmil with steel binding screw.
	11-1553-03	11-1553	1	Screw: 1/4-20 X 0.437" ISHWHSW Indented Slotted Hex Washer Head Screw	na	na	Hardware item: check with customer support
	11-A-1520-07	11-A-1520	1	Screw: 5/16-18 X 0.750" IHWHWSW, Indented Hex Washer-Head Screw, Thread Forming SEMS with captive Belleville washer.	na	na	Hardware item: check with customer support
	11-1648-01	11-1648	1	Rivet: PLASTIC TREE RIVET	na	na	Hardware item: check with customer support
	11-D-1810-01	11-D-1810	2	Revised P1 AL neutral Strip, 17 positions total, tin plated, #14-1/0 (5 pos) and #14-#6 (12 pos) , CU or AL cable	na	na	Revised P1 AL neutral Strip, 17 positions total, tin plated, #14-1/0 (5 pos) and #14-#6 (12 pos) , CU or AL cable
	11-A-1568-03	11-A-1568	4	Screw: 10-24x1.125" Thread Forming Socket Head Cap Screw	na	na	Hardware item: check with customer support
	11-D-4560-01	11-D-4560-01	1	P1 (original and revised) Blank filler plate, 250A Main/Subfeed opening, also used in many other applications. (Installs Vertical for 400A Main)	DFFP01A	1 kit	P1 Main Blank Filler Plate - 1 Piece (use for Original or Revised P1 - also replaces 12-A-1801-01) (Vertical for 400A Main)
	11-1058-01	11-1058-01	1	Label: "Main Lug 125 Amps", 1.0" x 2.0"	na	na	General use label used for most applications that need 125A Main Lug label.
	11-1059-01	11-1059-01	1	Label: "Main Lug 250 Amps", 1.0" x 2.0"	na	na	General use label used for most applications that need 250A Main Lug label.
	11-A-1106-01	11-A-1106-01	1	MLKC1A and MLKC3A Instructions for 250A Revised P1 Main or Feed-thru Lug Kits.	See online Kit instruction sheets when needed		

Addendum B: P1 Kits and related parts (original P1 and Revised P1 included)

Distributor Kit # ref.	Base Part/ Assembly Reference #	Drawing # Ref	Kit Qty.	Kit or Part Description with additional info	Distributor Kit #	Dist Pack Qty.	Distributor Pack Description or additional info
4MLKA1A	11-D-2537-01	11-D-2537-01	1 kit	Revised P1 400A 1-phase Main or Feed-thru Lug Kit, AL connectors for two 1/0-250kcmil or one #2-600kcmil AL or CU cable. Also includes Neutral Lug, labels, blank filler and all hardware required.	4MLKA1A	1 kit	Revised P1 400A 1-phase Main or Feed-thru Lug Kit, AL connectors for two 1/0-250kcmil or one #2-600kcmil AL or CU cable. Also includes Neutral Lug, labels, blank filler and all hardware required.
	11-D-1812-01	11-D-1812	2	Dual port 600kcmil/250kcmil Lug, Aluminum, For one cable #2-600kcmil or two cables 1/0-250kcmil, AL or CU cable, used in RP1 400A main Lug primarily. Approx. size 3.156"L x 1.928"W x 1.75"H. Includes flange with two 0.344" dia. mounting holes.	na	na	na
	11-A-1520-09	11-A-1520	4	Screw: 5/16-18 X 1.00" IHWSW, Indented Hex Washer-Head Screw, Thread Forming SEMS with captive Belleville washer.	na	na	Hardware item: check with customer support
	11-D-3218-01	11-D-3218	1	Anti-turn plate, 16GA Galvanized, 0.281" Square mounting hole, used in RP1 400A MB, MLO and Neutral kits.	na	na	See 42NLKxxA, 4MLKxx, and MBKJDxA Kits
	11-1540-02	11-1540	1	Screw: Carriage Bolt, 1/4-20 X 1 RHSNB, Grade 5, full thread	na	na	Hardware item: check with customer support
	11-A-1867-01	11-A-1867	1	600kcmil-2AWG Aluminum Lug w/anti-turn provision, 0.313" dia. mounting hole, for single Copper or Aluminum cable, (ref. ILSCO # D3738A22T), used in RP1 400A MB, MLO and Neutral kits.	na	na	See 42NLKxxA, 4MLKxA, and MBKJDxA Kits
	11-A-1521-01	11-A-1521	2	Nut: Belleville Washer Nut, 1/4-20, narrow	na	na	Hardware item: check with customer support
	11-A-2070-01	11-A-2070-01	1	350kcmil Aluminum Lug Assembly, 250A max., #6-350kcmil, CU or AL cable, 0.265" dia. mounting hole. With 1/4-20 x .875" Steel Ribbed-neck Bolt inserted.	na	na	Used for many 250A max., P1 and RP1 Main Lug and Neutral Lug applications. (#11-A-1888-01 Lug and # 11-A-1645-01 stud)
	11-D-4560-01	11-D-4560-01	1	P1 (original and revised) Blank filler plate, 250A Main/Subfeed opening, also used in many other applications. (Installs Vertical for 400A Main)	DFFP01A	1 kit	P1 Main Blank Filler Plate - 1 Piece (use for Original or Revised P1 - also replaces 12-A-1801-01) (Vertical for 400A Main)
	11-A-1054-01	11-A-1054	1	Label: "Main Lug 400 Amps", 1.0" x 2.0"	na	na	General use label used for most applications that need 400A Main Lug label.
	11-A-1108-01	11-A-1108-01	1	4MLKA1A and 4MLKA3A Instructions for 400A Revised P1 Main or Feed-Thru Lug Kits.	See online Kit instruction sheets when needed		
4MLKA3A	11-D-2537-02	11-D-2537-02	1 kit	Revised P1 400A 3-phase Main or Feed-thru Lug Kit, AL connectors for two 1/0-250kcmil or one #2-600kcmil AL or CU cable. Also includes Neutral Lug, labels, blank filler and all hardware required.	4MLKA3A	1 kit	Revised P1 400A 3-phase Main or Feed-thru Lug Kit, AL connectors for two 1/0-250kcmil or one #2-600kcmil AL or CU cable. Also includes Neutral Lug, labels, blank filler and all hardware required.
	11-D-1812-01	11-D-1812	3	Dual port 600kcmil/250kcmil Lug, Aluminum, For one cable #2-600kcmil or two cables 1/0-250kcmil, AL or CU cable, used in RP1 400A main Lug primarily. Approx. size 3.156"L x 1.928"W x 1.75"H. Includes flange with two 0.344" dia. mounting holes.	na	na	na
	11-A-1520-09	11-A-1520	6	Screw: 5/16-18 X 1.00" IHWSW, Indented Hex Washer-Head Screw, Thread Forming SEMS with captive Belleville washer.	na	na	Hardware item: check with customer support

Addendum B: P1 Kits and related parts (original P1 and Revised P1 included)

Distributor Kit # ref.	Base Part/ Assembly Reference #	Drawing # Ref	Kit Qty.	Kit or Part Description with additional info	Distributor Kit #	Dist Pack Qty.	Distributor Pack Description or additional info
	11-D-4548-01	11-D-4548	1	Revised P1, 400A inter-phase Lug Barrier, for B-phase Main Lug on 3-phase device only.	na	na	na
	11-D-3218-01	11-D-3218	1	Anti-turn plate, 16GA Galvanized, 0.281" Square mounting hole, used in RP1 400A MB, MLO and Neutral kits.	na	na	See 42NLKxxA, 4MLKx, and MBKJdxA Kits
	11-1540-02	11-1540	1	Screw: Carriage Bolt, 1/4-20 X 1 RHSNB, Grade 5, full thread	na	na	Hardware item: check with customer support
	11-A-1867-01	11-A-1867	1	600kcmil-2AWG Aluminum Lug w/anti-turn provision, 0.313" dia. mounting hole, for single Copper or Aluminum cable, (ref. ILSCO # D3738A22T), used in RP1 400A MB, MLO and Neutral kits.	na	na	See 42NLKxxA, 4MLKxA, and MBKJdxA Kits
	11-A-1521-01	11-A-1521	2	Nut: Belleville Washer Nut, 1/4-20, narrow	na	na	Hardware item: check with customer support
	11-A-2070-01	11-A-2070-01	1	350kcmil Aluminum Lug Assembly, 250A max., #6-350kcmil, CU or AL cable, 0.265" dia. mounting hole. With 1/4-20 x .875" Steel Ribbed-neck Bolt inserted.	na	na	Used for many 250A max., P1 and RP1 Main Lug and Neutral Lug applications. (#11-A-1888-01 Lug and # 11-A-1645-01 stud)
	11-D-4560-01	11-D-4560-01	1	P1 (original and revised) Blank filler plate, 250A Main/Subfeed opening, also used in many other applications. (Installs Vertical for 400A Main)	DFFP01A	1 kit	P1 Main Blank Filler Plate - 1 Piece (use for Original or Revised P1 - also replaces 12-A-1801-01) (Vertical for 400A Main)
	11-A-1054-01	11-A-1054	1	Label: "Main Lug 400 Amps", 1.0" x 2.0"	na	na	General use label used for most applications that need 400A Main Lug label.
	11-A-1108-01	11-A-1108-01	1	4MLKA1A and 4MLKA3A Instructions for 400A Revised P1 Main or Feed-Thru Lug Kits.	See online Kit instruction sheets when needed		
4MLKA1B	11-D-2539-01	11-D-2539-01	1 kit	Revised P1 750kcmil 400A 1-phase Main or Feed-thru Lug Kit, AL connectors for two 1/0-250kcmil CU/AL cables (or) one 1/0-750kcmil AL (or) one 1/0-600kcmil CU cable. Also includes one 750kcmil max. and one 350kcmil max. Neutral Lug, labels, blank filler and all hardware required.	4MLKA1B	1 kit	Revised P1 750kcmil 400A 1-phase Main or Feed-thru Lug Kit, AL connectors for two 1/0-250kcmil CU/AL cables (or) one 1/0-750kcmil AL (or) one 1/0-600kcmil CU cable. Also includes one 750kcmil max. and one 350kcmil max. Neutral Lug, labels, blank filler and all hardware required.
	11-A-1844-01	11-A-1844	2	Single port 750kcmil Lug, Aluminum, For one AL cable 1/0-750kcmil or one CU cable 1/0-600kcmil or two cables 1/0-250kcmil (AL or CU cable), used in RP1 400A main Lug primarily. Approx. size 2.813"L x 1.375"W x 2.130"H. Includes flange with two 0.281" dia. mounting holes.	na	na	na
	11-1553-07	11-1553	4	Screw: 1/4-20 X 0.75" ISHWHSW Indented Slotted Hex Washer Head Screw	na	na	Hardware item: check with customer support
	11-D-3218-01	11-D-3218	1	Anti-turn plate, 16GA Galvanized, 0.281" Square mounting hole, used in RP1 400A MB, MLO and Neutral kits.	na	na	See 42NLKxxA, 4MLKx, and MBKJdxA Kits
	11-1540-02	11-1540	1	Screw: Carriage Bolt, 1/4-20 X 1 RHSNB, Grade 5, full thread	na	na	Hardware item: check with customer support
	11-D-1808-01	11-D-1808-01	1	Single port 750kcmil Lug, Aluminum, For one AL cable 1/0-750kcmil or one CU cable 1/0-600kcmil or two cables 1/0-250kcmil (AL or CU cable), used in RP1 400A neutral primarily. Approx. size 2.50"L x 1.375"W x 1.812"H. Includes flange with one 0.312" dia. mounting hole and anti-turn rail.	na	na	na

Addendum B: P1 Kits and related parts (original P1 and Revised P1 included)

Distributor Kit # ref.	Base Part/ Assembly Reference #	Drawing # Ref	Kit Qty.	Kit or Part Description with additional info	Distributor Kit #	Dist Pack Qty.	Distributor Pack Description or additional info
	11-A-1521-01	11-A-1521	2	Nut: Belleville Washer Nut, 1/4-20, narrow	na	na	Hardware item: check with customer support
	11-A-2070-01	11-A-2070-01	1	350kcmil Aluminum Lug Assembly, 250A max., #6-350kcmil, CU or AL cable, 0.265" dia. mounting hole. With 1/4-20 x .875" Steel Ribbed-neck Bolt inserted.	na	na	Used for many 250A max., P1 and RP1 Main Lug and Neutral Lug applications. (#11-A-1888-01 Lug and # 11-A-1645-01 stud)
	11-D-4560-01	11-D-4560-01	1	P1 (original and revised) Blank filler plate, 250A Main/Subfeed opening, also used in many other applications. (Installs Vertical for 400A Main)	DFFP01A	1 kit	P1 Main Blank Filler Plate - 1 Piece (use for Original or Revised P1 - also replaces 12-A-1801-01) (Vertical for 400A Main)
	11-A-1054-01	11-A-1054	1	Label: "Main Lug 400 Amps", 1.0" x 2.0"	na	na	General use label used for most applications that need 400A Main Lug label.
	11-A-1110-01	11-A-1110-01	1	4MLKA1B and 4MLKA3B Instructions for 400A Revised P1 Main or Feed-Thru Lug Kits.	See online Kit instruction sheets when needed		
4MLKA3B	11-D-2539-02	11-D-2539-02	1 kit	Revised P1 750kcmil 400A 3-phase Main or Feed-thru Lug Kit, AL connectors for two 1/0-250kcmil CU/AL cables (or) one 1/0-750kcmil AL (or) one 1/0-600kcmil CU cable. Also includes one 750kcmil max. and one 350kcmil max. Neutral Lug, labels, blank filler and all hardware required.	4MLKA3B	1 kit	Revised P1 750kcmil 400A 3-phase Main or Feed-thru Lug Kit, AL connectors for two 1/0-250kcmil CU/AL cables (or) one 1/0-750kcmil AL (or) one 1/0-600kcmil CU cable. Also includes one 750kcmil max. and one 350kcmil max. Neutral Lug, labels, blank filler and all hardware required.
	11-A-1844-01	11-A-1844	3	Single port 750kcmil Lug, Aluminum, For one AL cable 1/0-750kcmil or one CU cable 1/0-600kcmil or two cables 1/0-250kcmil (AL or CU cable), used in RP1 400A main Lug primarily. Approx. size 2.813"L x1.375"W x 2.130"H. Includes flange with two 0.281" dia. mounting holes.	na	na	na
	11-1553-07	11-1553	6	Screw: 1/4-20 X 0.75" ISHWHSW Indented Slotted Hex Washer Head Screw	na	na	Hardware item: check with customer support
	11-D-3218-01	11-D-3218	1	Anti-turn plate, 16GA Galvanized, 0.281" Square mounting hole, used in RP1 400A MB, MLO and Neutral kits.	na	na	See 42NLKxxA, 4MLKAXx, and MBKJDxA Kits
	11-1540-02	11-1540	1	Screw: Carriage Bolt, 1/4-20 X 1 RHSNB, Grade 5, full thread	na	na	Hardware item: check with customer support
	11-D-1808-01	11-D-1808-01	1	Single port 750kcmil Lug, Aluminum, For one AL cable 1/0-750kcmil or one CU cable 1/0-600kcmil or two cables 1/0-250kcmil (AL or CU cable), used in RP1 400A neutral primarily. Approx. size 2.50"L x1.375"W x 1.812"H. Includes flange with one 0.312" dia. mounting hole and anti-turn rail.	na	na	na
	11-A-1521-01	11-A-1521	2	Nut: Belleville Washer Nut, 1/4-20, narrow	na	na	Hardware item: check with customer support
	11-A-2070-01	11-A-2070-01	1	350kcmil Aluminum Lug Assembly, 250A max., #6-350kcmil, CU or AL cable, 0.265" dia. mounting hole. With 1/4-20 x .875" Steel Ribbed-neck Bolt inserted.	na	na	Used for many 250A max., P1 and RP1 Main Lug and Neutral Lug applications. (#11-A-1888-01 Lug and # 11-A-1645-01 stud)
	11-D-4560-01	11-D-4560-01	1	P1 (original and revised) Blank filler plate, 250A Main/Subfeed opening, also used in many other applications. (Installs Vertical for 400A Main)	DFFP01A	1 kit	P1 Main Blank Filler Plate - 1 Piece (use for Original or Revised P1 - also replaces 12-A-1801-01) (Vertical for 400A Main)
	11-A-1054-01	11-A-1054	1	Label: "Main Lug 400 Amps", 1.0" x 2.0"	na	na	General use label used for most applications that need 400A Main Lug label.
	11-A-1110-01	11-A-1110-01	1	4MLKA1B and 4MLKA3B Instructions for 400A Revised P1 Main or Feed-Thru Lug Kits.	See online Kit instruction sheets when needed		

Addendum B: P1 Kits and related parts (original P1 and Revised P1 included)

Distributor Kit # ref.	Base Part/ Assembly Reference #	Drawing # Ref	Kit Qty.	Kit or Part Description with additional info	Distributor Kit #	Dist Pack Qty.	Distributor Pack Description or additional info
4MLKC1A	11-D-2538-01	11-D-2538-01	1 kit	Revised P1 400A 1-phase Main or Feed-thru Lug Kit, CU connectors for two 1/0-4/0 or one #1/0-600kcmil CU Only cable. Also includes Neutral Lug, labels, blank filler and all hardware required.	4MLKC1A	1 kit	Revised P1 400A 1-phase Main or Feed-thru Lug Kit, CU connectors for two 1/0-4/0 or one #1/0-600kcmil CU Only cable. Also includes Neutral Lug, labels, blank filler and all hardware required.
	11-A-1858-01	11-A-1858	3	Single port 600kcmil Lug, Copper, For one CU cable #2-600kcmil, used in RP1 400A main Lug primarily. Approx. size 2.563"L x1.375"W x 1.380"H. Includes flange with one 0.325" dia. mounting hole and anti-rotate features.	na	na	na
	11-A-1520-07	11-A-1520	4	Screw: 5/16-18 X 0.750" IHWSW, Indented Hex Washer-Head Screw, Thread Forming SEMS with captive Belleville washer.	na	na	Hardware item: check with customer support
	11-1626-01	11-1626	2	Nut: 5/16-18 Bellville Washer Nut	na	na	Hardware item: check with customer support
	11-D-3531-01	11-D-3531	2	Lug Pad, 400A max., Copper, tin plated, 0.25" thick. Used for 400A Original P1 and Revised P1 applications. (size approx. 1.63"W x4.28"L)	na	na	na
	11-A-1520-09	11-A-1520	2	Screw: 5/16-18 X 1.00" IHWSW, Indented Hex Washer-Head Screw, Thread Forming SEMS with captive Belleville washer.	na	na	Hardware item: check with customer support
	11-A-2070-01	11-A-2070-01	1	350kcmil Aluminum Lug Assembly, 250A max., #6-350kcmil, CU or AL cable, 0.265" dia. mounting hole. With 1/4-20 x .875" Steel Ribbed-neck Bolt inserted.	na	na	Used for many 250A max., P1 and RP1 Main Lug and Neutral Lug applications. (#11-A-1888-01 Lug and # 11-A-1645-01 stud)
	11-D-3917-01	11-D-3917	1	Lug Pad, 400A max., Copper, tin plated, 0.188" thick. Used for 400A Revised P1 Main Lug and Compression Lug applications. (size approx. 1.375"W x3.47"L)	na	na	na
	11-1540-02	11-1540	1	Screw: Carriage Bolt, 1/4-20 X 1 RHSNB, Grade 5, full thread	na	na	Hardware item: check with customer support
	11-A-1521-01	11-A-1521	3	Nut: Belleville Washer Nut, 1/4-20, narrow	na	na	Hardware item: check with customer support
	11-A-1645-01	11-A-1645	1	Bolt: 1/4-20 x .875" Steel Ribbed-neck Bolt	na	na	Hardware item: check with customer support
	11-D-4560-01	11-D-4560-01	1	P1 (original and revised) Blank filler plate, 250A Main/Subfeed opening, also used in many other applications. (Installs Vertical for 400A Main)	DFFP01A	1 kit	P1 Main Blank Filler Plate - 1 Piece (use for Original or Revised P1 - also replaces 12-A-1801-01) (Vertical for 400A Main)
	11-A-1054-01	11-A-1054	1	Label: "Main Lug 400 Amps", 1.0" x 2.0"	na	na	General use label used for most applications that need 400A Main Lug label.
	11-A-1109-01	11-A-1109-01	1	4MLKC1A and 4MLKC3A Instructions for 400A Revised P1 Main or Feed-Thru Lug Kits.	See online Kit instruction sheets when needed		
4MLKC3A	11-D-2538-02	11-D-2538-02	1 kit	Revised P1 400A 3-phase Main or Feed-thru Lug Kit, CU connectors for two 1/0-4/0 or one #1/0-600kcmil CU Only cable. Also includes Neutral Lug, labels, blank filler and all hardware required.	4MLKC3A	1 kit	Revised P1 400A 3-phase Main or Feed-thru Lug Kit, CU connectors for two 1/0-4/0 or one #1/0-600kcmil CU Only cable. Also includes Neutral Lug, labels, blank filler and all hardware required.
	11-A-1858-01	11-A-1858	4	Single port 600kcmil Lug, Copper, For one CU cable #2-600kcmil, used in RP1 400A main Lug primarily. Approx. size 2.563"L x1.375"W x 1.380"H. Includes flange with one 0.325" dia. mounting hole and anti-rotate features.	na	na	na

Addendum B: P1 Kits and related parts (original P1 and Revised P1 included)

Distributor Kit # ref.	Base Part/ Assembly Reference #	Drawing # Ref	Kit Qty.	Kit or Part Description with additional info	Distributor Kit #	Dist Pack Qty.	Distributor Pack Description or additional info
	11-A-1520-07	11-A-1520	6	Screw: 5/16-18 X 0.750" IHWHWSW, Indented Hex Washer-Head Screw, Thread Forming SEMS with captive Belleville washer.	na	na	Hardware item: check with customer support
	11-1626-01	11-1626	3	Nut: 5/16-18 Bellville Washer Nut	na	na	Hardware item: check with customer support
	11-D-3531-01	11-D-3531	3	Lug Pad, 400A max., Copper, tin plated, 0.25" thick. Used for 400A Original P1 and Revised P1 applications. (size approx. 1.63"W x4.28"L)	na	na	na
	11-A-1520-09	11-A-1520	3	Screw: 5/16-18 X 1.00" IHWHWSW, Indented Hex Washer-Head Screw, Thread Forming SEMS with captive Belleville washer.	na	na	Hardware item: check with customer support
	11-A-2070-01	11-A-2070-01	1	350kcmil Aluminum Lug Assembly, 250A max., #6-350kcmil, CU or AL cable, 0.265" dia. mounting hole. With 1/4-20 x .875" Steel Ribbed-neck Bolt inserted.	na	na	Used for many 250A max., P1 and RP1 Main Lug and Neutral Lug applications. (#11-A-1888-01 Lug and # 11-A-1645-01 stud)
	11-D-3917-01	11-D-3917	1	Lug Pad, 400A max., Copper, tin plated, 0.188" thick. Used for 400A Revised P1 Main Lug and Compression Lug applications. (size approx. 1.375"W x3.47"L)	na	na	na
	11-1540-02	11-1540	1	Screw: Carriage Bolt, 1/4-20 X 1 RHSNB, Grade 5, full thread	na	na	Hardware item: check with customer support
	11-A-1521-01	11-A-1521	3	Nut: Belleville Washer Nut, 1/4-20, narrow	na	na	Hardware item: check with customer support
	11-A-1645-01	11-A-1645	1	Bolt: 1/4-20 x .875" Steel Ribbed-neck Bolt	na	na	Hardware item: check with customer support
	11-D-4560-01	11-D-4560-01	1	P1 (original and revised) Blank filler plate, 250A Main/Subfeed opening, also used in many other applications. (Installs Vertical for 400A Main)	DFFP01A	1 kit	P1 Main Blank Filler Plate - 1 Piece (use for Original or Revised P1 - also replaces 12-A-1801-01) (Vertical for 400A Main)
	11-A-1054-01	11-A-1054	1	Label: "Main Lug 400 Amps", 1.0" x 2.0"	na	na	General use label used for most applications that need 400A Main Lug label.
	11-A-1109-01	11-A-1109-01	1	4MLKC1A and 4MLKC3A Instructions for 400A Revised P1 Main or Feed-Thru Lug Kits.	See online Kit instruction sheets when needed		
MBKBFA	11-D-2548-01	11-D-2548-01	1 kit*	Revised P1 BL/BQD/GB Back-fed Main Breaker Kit, allows placement of Main in Unit space.	MBKBFA	1 kit	Revised P1 BL/BQD/GB Back-fed Main Breaker Kit, allows placement of Main in Unit space.
	11-1150-01	11-1150	1	Label: "MAIN", used many places in all Panelboards and Swbds where Main must be marked.	na	na	Generally included in most Main Breaker kits and with MB interiors.
	11-D-4560-01	11-D-4560-01	1	P1 (original and revised) Blank filler plate, 250A Main/Subfeed opening, also used in many other applications. (Installs Vertical for 400A Main)	DFFP01A	1 kit	P1 Main Blank Filler Plate - 1 Piece (use for Original or Revised P1 - also replaces 12-A-1801-01) (Vertical for 400A Main)
	11-A-1521-01	11-A-1521	1	Nut: Belleville Washer Nut, 1/4-20, narrow	na	na	Hardware item: check with customer support
	11-A-1888-01	11-A-1888	1	350kcmil Aluminum Lug, #6-350kcmil, CU or AL cable, 0.265" dia. mounting hole. See Assembly number 11-A-2070-01 for lug with stud inserted.	na	na	Lug used in many kits and neutral applications. ref. ILSCO # D3804-00 (for Lug with stud inserted - see # 11-A-2070-01)
	11-A-1645-01	11-A-1645	2	Bolt: 1/4-20 x .875" Steel Ribbed-neck Bolt	na	na	Hardware item: check with customer support
	11-A-1114-01	11-A-1114-01	1	MBKBFA Instructions, Revised P1 BL/BQD/xGB Back-fed Main Breaker Installation	See online Kit instruction sheets when needed		

Addendum B: P1 Kits and related parts (original P1 and Revised P1 included)

Distributor Kit # ref.	Base Part/ Assembly Reference #	Drawing # Ref	Kit Qty.	Kit or Part Description with additional info	Distributor Kit #	Dist Pack Qty.	Distributor Pack Description or additional info
MBKBL1A	11-D-2780-01	11-D-2780-01	1	Revised P1 BL 1-Phase Main/SubFeed Strap Kit, Copper straps with hardware, Neutral Lug and filler.	MBKBL1A	1 kit	Revised P1 BL 1-Phase Main/SubFeed Strap Kit, Copper straps with hardware, Neutral Lug and filler.
	11-D-4551-01	11-D-4551	1	Revised P1 Breaker Support, 1PH & 3PH, for BL, BQD/xGB and ED Main Subfeed kits	na	na	See MBKBL1A(3A), MBKBC1NBA(3NBA) and MBKED1A(3A) Kits
	11-D-4590-01	11-D-4590	1	Revised P1 Formex Barrier, for BL/BQD/xGB Main kits	na	na	See MBKBL1A(3A), and MBKBC1NBA(3NBA) Kits
	11-D-3959-01	11-D-3959	1	Revised P1 Copper Short Strap, for BL/BQD/xGB Main kits, tin plated	na	na	See MBKBL1A(3A), and MBKBC1NBA(3NBA) Kits
	11-D-3963-01	11-D-3963	1	Revised P1 Copper 1-phase Middle Strap, for BL/BQD/xGB Main kits, tin plated	na	na	See MBKBL1A and MBKBC1NBA Kits
	11-1576-04	11-1576	4	Screw: 10-24 X 0.437" ISHWHSW Indented Slotted Hex Washer Head Screw	na	na	Hardware item: check with customer support
	11-D-3306-01	11-D-3306	1	Revised P1 BL Breaker support bracket, for BL Main kits	na	na	See MBKBL1A and MBKBL3A Kits
	11-A-1505-02	11-A-1505	2	Screw: 10-32 x0.375" Slotted Hex Washer Head SEMS	na	na	Hardware item: check with customer support
	11-A-1508-04	11-A-1508	2	Screw: 1/4-20 x0.50" Slotted Hex Washer Head SIMS	na	na	Hardware item: check with customer support
	12-A-1802-01	12-A-1802	1	P1 Main Filler 100-125A frames ED, BL/BQD or xGB (use for Original or Revised P1 and other applications)	DFFPED01	1 kit	P1 Main Filler 100-125A frames ED, BL/BQD or xGB (use for Original or Revised P1 and other applications)
	11-1150-01	11-1150	1	Label: "MAIN", used many places in all Panelboards and Swbds where Main must be marked.	na	na	Generally included in most Main Breaker kits and with MB interiors.
	11-1648-01	11-1648	1	Rivet: PLASTIC TREE RIVET	na	na	Hardware item: check with customer support
	11-D-4554-01	11-D-4554	1	DFFP1 Blank filler , 1 inch snap-in, replaced old QF3 in Systems Products. Ref. old #12-1800-01	DFFP1	1 piece	DFFP1 Filler Plate for BL/BQD/ED/xGB in PNLBD & SWBD deadfronts, plus many other locations. (sold by the piece - packed 100 per carton)
	11-A-1888-01	11-A-1888	1	350kcmil Aluminum Lug, #6-350kcmil, CU or AL cable, 0.265" dia. mounting hole. See Assembly number 11-A-2070-01 for lug with stud inserted.	na	na	Lug used in many kits and neutral applications. ref. ILSCO # D3804-00 (for Lug with stud inserted - see # 11-A-2070-01)
	11-A-1645-01	11-A-1645	1	Bolt: 1/4-20 x .875" Steel Ribbed-neck Bolt	Hardware item: - check with customer support		
	11-A-1521-01	11-A-1521	1	Nut: Belleville Washer Nut, 1/4-20, narrow	Hardware item: - check with customer support		
	11-A-1140-01	11-A-1140-01	1	Instruction Sheet for Revised P1 BL Main Breaker Strap Kits, MBKBL1A and MBKBL3A	See online Kit instruction sheets when needed		
MBKBL3A	11-D-2780-02	11-D-2780-02	1	Revised P1 BL 3-Phase Main/SubFeed Strap Kit, Copper straps with hardware, Neutral Lug and filler.	MBKBL3A	1 kit	Revised P1 BL 3-Phase Main/SubFeed Strap Kit, Copper straps with hardware, Neutral Lug and filler.
	11-D-4551-01	11-D-4551	1	Revised P1 Breaker Support, 1PH & 3PH, for BL, BQD/xGB and ED Main Subfeed kits	na	na	See MBKBL1A(3A), MBKBC1NBA(3NBA) and MBKED1A(3A) Kits
	11-D-4590-01	11-D-4590	2	Revised P1 Formex Barrier, for BL/BQD/xGB Main kits	na	na	See MBKBL1A(3A), and MBKBC1NBA(3NBA) Kits
	11-D-3957-01	11-D-3957	1	Revised P1 Copper 3-phase Long Strap, for BL/BQD/xGB Main kits, tin plated	na	na	See MBKBL3A and MBKBC3NBA Kits
	11-D-3959-01	11-D-3959	1	Revised P1 Copper Short Strap, for BL/BQD/xGB Main kits, tin plated	na	na	See MBKBL1A(3A), and MBKBC1NBA(3NBA) Kits
	11-D-3961-01	11-D-3961	1	Revised P1 Copper 3-phase Middle Strap, for BL/BQD/xGB Main kits, tin plated	na	na	See MBKBL3A and MBKBC3NBA Kits
	11-1576-04	11-1576	4	Screw: 10-24 X 0.437" ISHWHSW Indented Slotted Hex Washer Head Screw	na	na	Hardware item: check with customer support

Addendum B: P1 Kits and related parts (original P1 and Revised P1 included)

Distributor Kit # ref.	Base Part/ Assembly Reference #	Drawing # Ref	Kit Qty.	Kit or Part Description with additional info	Distributor Kit #	Dist Pack Qty.	Distributor Pack Description or additional info
	11-D-3306-01	11-D-3306	1	Revised P1 BL Breaker support bracket, for BL Main kits	na	na	See MBKBL1A and MBKBL3A Kits
	11-A-1505-02	11-A-1505	3	Screw: 10-32 x0.375" Slotted Hex Washer Head SEMS	na	na	Hardware item: check with customer support
	11-A-1508-04	11-A-1508	3	Screw: 1/4-20 x0.50" Slotted Hex Washer Head SIMS	na	na	Hardware item: check with customer support
	12-A-1802-01	12-A-1802	1	P1 Main Filler 100-125A frames ED, BL/BQD or xGB (use for Original or Revised P1 and other applications)	DFFPED01	1 kit	P1 Main Filler 100-125A frames ED, BL/BQD or xGB (use for Original or Revised P1 and other applications)
	11-1150-01	11-1150	1	Label: "MAIN", used many places in all Panelboards and Swbds where Main must be marked.	na	na	Generally included in most Main Breaker kits and with MB interiors.
	11-1648-01	11-1648	2	Rivet: PLASTIC TREE RIVET	na	na	Hardware item: check with customer support
	11-A-1888-01	11-A-1888	1	350kcmil Aluminum Lug, #6-350kcmil, CU or AL cable, 0.265" dia. mounting hole. See Assembly number 11-A-2070-01 for lug with stud inserted.	na	na	Lug used in many kits and neutral applications. ref. ILSCO # D3804-00 (for Lug with stud inserted - see # 11-A-2070-01)
	11-A-1645-01	11-A-1645	1	Bolt: 1/4-20 x .875" Steel Ribbed-neck Bolt	na	na	Hardware item: check with customer support
	11-A-1521-01	11-A-1521	1	Nut: Belleville Washer Nut, 1/4-20, narrow	na	na	Hardware item: check with customer support
	11-A-1140-01	11-A-1140-01	1	Instruction Sheet for Revised P1 BL Main Breaker Strap Kits, MBKBL1A and MBKBL3A	See online Kit instruction sheets when needed		
MBKBC1NBA	11-D-2781-01	11-D-2781-01	1	Revised P1 BQD/xGB 1-Phase Main/SubFeed Strap Kit, Copper straps with hardware, Neutral Lug and filler.	MBKBC1NBA	1 kit	Revised P1 BQD/xGB 1-Phase Main/SubFeed Strap Kit, Copper straps with hardware, Neutral Lug and filler.
	11-D-4551-01	11-D-4551	1	Revised P1 Breaker Support, 1PH & 3PH, for BL, BQD/xGB and ED Main Subfeed kits	na	na	See MBKBL1A(3A), MBKBC1NBA(3NBA) and MBKED1A(3A) Kits
	11-D-4590-01	11-D-4590	1	Revised P1 Formex Barrier, for BL/BQD/xGB Main kits	na	na	See MBKBL1A(3A), and MBKBC1NBA(3NBA) Kits
	11-D-3959-01	11-D-3959	1	Revised P1 Copper Short Strap, for BL/BQD/xGB Main kits, tin plated	na	na	See MBKBL1A(3A), and MBKBC1NBA(3NBA) Kits
	11-D-3963-01	11-D-3963	1	Revised P1 Copper 1-phase Middle Strap, for BL/BQD/xGB Main kits, tin plated	na	na	See MBKBL1A and MBKBC1NBA Kits
	11-1576-04	11-1576	4	Screw: 10-24 X 0.437" ISHWHSW Indented Slotted Hex Washer Head Screw	na	na	Hardware item: check with customer support
	11-D-3307-01	11-D-3307	1	Revised P1 xGB Breaker support bracket, for BQD/xGB combo Main kits	na	na	See MBKBC1NBA and MBKBC3NBA Kits
	11-D-3309-01	11-D-3309	1	Revised P1 BQD Breaker support bracket, for BQD/xGB combo Main kits	na	na	See MBKBC1NBA and MBKBC3NBA Kits
	11-A-1505-02	11-A-1505	2	Screw: 10-32 x0.375" Slotted Hex Washer Head SEMS	na	na	Hardware item: check with customer support
	11-A-1508-04	11-A-1508	2	Screw: 1/4-20 x0.50" Slotted Hex Washer Head SIMS	na	na	Hardware item: check with customer support
	12-A-1802-01	12-A-1802	1	P1 Main Filler 100-125A frames ED, BL/BQD or xGB (use for Original or Revised P1 and other applications)	DFFPED01	1 kit	P1 Main Filler 100-125A frames ED, BL/BQD or xGB (use for Original or Revised P1 and other applications)
	11-1150-01	11-1150	1	Label: "MAIN", used many places in all Panelboards and Swbds where Main must be marked.	na	na	Generally included in most Main Breaker kits and with MB interiors.
	11-1648-01	11-1648	1	Rivet: PLASTIC TREE RIVET	na	na	Hardware item: check with customer support
	11-D-4554-01	11-D-4554	1	DFFP1 Blank filler , 1 inch snap-in, replaced old QF3 in Systems Products. Ref. old #12-1800-01	DFFP1	1 piece	"DFFP1 Filler Plate for BL/BQD/ED/xGB in PNLBD & SWBD deadfronts, plus many other locations. (sold by the piece - packed 100 per carton)"

Addendum B: P1 Kits and related parts (original P1 and Revised P1 included)

Distributor Kit # ref.	Base Part/ Assembly Reference #	Drawing # Ref	Kit Qty.	Kit or Part Description with additional info	Distributor Kit #	Dist Pack Qty.	Distributor Pack Description or additional info
	11-A-1888-01	11-A-1888	1	350kcmil Aluminum Lug, #6-350kcmil, CU or AL cable, 0.265" dia. mounting hole. See Assembly number 11-A-2070-01 for lug with stud inserted.	na	na	Lug used in many kits and neutral applications. ref. ILSCO # D3804-00 (for Lug with stud inserted - see # 11-A-2070-01)
	11-A-1645-01	11-A-1645	1	Bolt: 1/4-20 x .875" Steel Ribbed-neck Bolt	na	na	Hardware item: check with customer support
	11-A-1521-01	11-A-1521	1	Nut: Belleville Washer Nut, 1/4-20, narrow	na	na	Hardware item: check with customer support
	11-A-1141-01	11-A-1141-01	1	Instruction Sheet for Revised P1 BQD/xGB Main Breaker Strap Kits, MBKBC1NBA and MBKBC3NBA	See online Kit instruction sheets when needed		
MBKBC3NBA	11-D-2781-02	11-D-2781-02	1	Revised P1 BQD/GB 3-Phase Main/SubFeed Strap Kit, Copper straps with hardware, Neutral Lug and filler.	MBKBC3NBA	1 kit	Revised P1 BQD/GB 3-Phase Main/SubFeed Strap Kit, Copper straps with hardware, Neutral Lug and filler.
	11-D-4551-01	11-D-4551	1	Revised P1 Breaker Support, 1PH & 3PH, for BL, BQD/xGB and ED Main Subfeed kits	na	na	See MBKBL1A(3A), MBKBC1NBA(3NBA) and MBKED1A(3A) Kits
	11-D-4590-01	11-D-4590	2	Revised P1 Formex Barrier, for BL/BQD/xGB Main kits	na	na	See MBKBL1A(3A), and MBKBC1NBA(3NBA) Kits
	11-D-3957-01	11-D-3957	1	Revised P1 Copper 3-phase Long Strap, for BL/BQD/xGB Main kits, tin plated	na	na	See MBKBL3A and MBKBC3NBA Kits
	11-D-3959-01	11-D-3959	1	Revised P1 Copper Short Strap, for BL/BQD/xGB Main kits, tin plated	na	na	See MBKBL1A(3A), and MBKBC1NBA(3NBA) Kits
	11-D-3961-01	11-D-3961	1	Revised P1 Copper 3-phase Middle Strap, for BL/BQD/xGB Main kits, tin plated	na	na	See MBKBL3A and MBKBC3NBA Kits
	11-1576-04	11-1576	4	Screw: 10-24 X 0.437" ISHWHSW Indented Slotted Hex Washer Head Screw	na	na	Hardware item: check with customer support
	11-D-3307-01	11-D-3307	1	Revised P1 xGB Breaker support bracket, for BQD/xGB combo Main kits	na	na	See MBKBC1NBA and MBKBC3NBA Kits
	11-D-3309-01	11-D-3309	1	Revised P1 BQD Breaker support bracket, for BQD/xGB combo Main kits	na	na	See MBKBC1NBA and MBKBC3NBA Kits
	11-A-1505-02	11-A-1505	3	Screw: 10-32 x0.375" Slotted Hex Washer Head SEMS	na	na	Hardware item: check with customer support
	11-A-1508-04	11-A-1508	3	Screw: 1/4-20 x0.50" Slotted Hex Washer Head SIMS	na	na	Hardware item: check with customer support
	12-A-1802-01	12-A-1802	1	P1 Main Filler 100-125A frames ED, BL/BQD or xGB (use for Original or Revised P1 and other applications)	DFFPED01	1 kit	P1 Main Filler 100-125A frames ED, BL/BQD or xGB (use for Original or Revised P1 and other applications)
	11-1150-01	11-1150	1	Label: "MAIN", used many places in all Panelboards and Swbds where Main must be marked.	na	na	Generally included in most Main Breaker kits and with MB interiors.
	11-1648-01	11-1648	2	Rivet: PLASTIC TREE RIVET	na	na	Hardware item: check with customer support
	11-A-1888-01	11-A-1888	1	350kcmil Aluminum Lug, #6-350kcmil, CU or AL cable, 0.265" dia. mounting hole. See Assembly number 11-A-2070-01 for lug with stud inserted.	na	na	Lug used in many kits and neutral applications. ref. ILSCO # D3804-00 (for Lug with stud inserted - see # 11-A-2070-01)
	11-A-1645-01	11-A-1645	1	Bolt: 1/4-20 x .875" Steel Ribbed-neck Bolt	na	na	Hardware item: check with customer support
	11-A-1521-01	11-A-1521	1	Nut: Belleville Washer Nut, 1/4-20, narrow	na	na	Hardware item: check with customer support
	11-A-1141-01	11-A-1141-01	1	Instruction Sheet for Revised P1 BQD/xGB Main Breaker Strap Kits, MBKBC1NBA and MBKBC3NBA	See online Kit instruction sheets when needed		
MBKED1A	11-D-2547-01	11-D-2547-01	1	Revised P1 ED 1-Phase Main/SubFeed Strap Kit, Copper straps with hardware, Neutral Lug and filler.	MBKED1A	1 kit	Revised P1 ED 1-Phase Main/SubFeed Strap Kit, Copper straps with hardware, Neutral Lug and filler.
	11-D-4551-01	11-D-4551	1	Revised P1 Breaker Support, 1PH & 3PH, for BL, BQD/xGB and ED Main Subfeed kits	na	na	See MBKBL1A(3A), MBKBC1NBA(3NBA) and MBKED1A(3A) Kits
	11-D-3941-01	11-D-3941	1	Revised P1 Copper Short Strap, for ED Main kits, tin plated	na	na	See MBKED1A and MBKED3A Kits
	11-D-3943-02	11-D-3943	1	Revised P1 Copper Middle Strap, for ED 1-phase Main kits, tin plated	na	na	See MBKED1A Kits

Addendum B: P1 Kits and related parts (original P1 and Revised P1 included)

Distributor Kit # ref.	Base Part/ Assembly Reference #	Drawing # Ref	Kit Qty.	Kit or Part Description with additional info	Distributor Kit #	Dist Pack Qty.	Distributor Pack Description or additional info
	11-1576-04	11-1576	4	Screw: 10-24 X 0.437" ISHWHSW Indented Slotted Hex Washer Head Screw	na	na	Hardware item: check with customer support
	11-A-1508-04	11-A-1508	2	Screw: 1/4-20 x0.50" Slotted Hex Washer Head SIMS	na	na	Hardware item: check with customer support
	11-A-1505-02	11-A-1505	2	Screw: 10-32 x0.375" Slotted Hex Washer Head SEMS	na	na	Hardware item: check with customer support
	12-A-1802-01	12-A-1802	1	P1 Main Filler 100-125A frames ED, BL/BQD or xGB (use for Original or Revised P1 and other applications)	DFFPED01	1 kit	P1 Main Filler 100-125A frames ED, BL/BQD or xGB (use for Original or Revised P1 and other applications)
	11-1150-01	11-1150	1	Label: "MAIN", used many places in all Panelboards and Swbds where Main must be marked.	na	na	Generally included in most Main Breaker kits and with MB interiors.
	11-D-4554-01	11-D-4554	1	DFFP1 Blank filler , 1 inch snap-in, replaced old QF3 in Systems Products. Ref. old #12-1800-01	DFFP1	1 piece	DFFP1 Filler Plate for BL/BQD/ED/xGB in PNLBD & SWBD deadfronts, plus many other locations. *(sold by the piece - packed 100 per carton)
	11-A-1888-01	11-A-1888	1	350kcmil Aluminum Lug, #6-350kcmil, CU or AL cable, 0.265" dia. mounting hole. See Assembly number 11-A-2070-01 for lug with stud inserted.	na	na	Lug used in many kits and neutral applications. ref. ILSCO # D3804-00 (for Lug with stud inserted - see # 11-A-2070-01)
	11-A-1645-01	11-A-1645	1	Bolt: 1/4-20 x .875" Steel Ribbed-neck Bolt	na	na	Hardware item: check with customer support
	11-A-1521-01	11-A-1521	1	Nut: Belleville Washer Nut, 1/4-20, narrow	na	na	Hardware item: check with customer support
	11-A-1113-01	11-A-1113	1	Instruction Sheet for Revised P1 ED Main Breaker Strap Kits, MBKED1A and MBKED3A	See online Kit instruction sheets when needed		
MBKED3A	11-D-2547-02	11-D-2547-02	1	Revised P1 ED 3-Phase Main/SubFeed Strap Kit, Copper straps with hardware, Neutral Lug and filler.	MBKED3A	1 kit	Revised P1 ED 3-Phase Main/SubFeed Strap Kit, Copper straps with hardware, Neutral Lug and filler.
	11-D-4551-01	11-D-4551	1	Revised P1 Breaker Support, 1PH & 3PH, for BL, BQD/xGB and ED Main Subfeed kits	na	na	See MBKBL1A(3A), MBKBC1NBA(3NBA) and MBKED1A(3A) Kits
	11-D-3943-01	11-D-3943	1	Revised P1 Copper Middle Strap, for ED 3-phase Main kits, tin plated	na	na	See MBKED3A Kits
	11-D-3941-01	11-D-3941	1	Revised P1 Copper Short Strap, for ED Main kits, tin plated	na	na	See MBKED1A and MBKED3A Kits
	11-D-3945-01	11-D-3945	1	Revised P1 Copper Long Strap, for ED 3-phase Main kits, tin plated	na	na	See MBKED3A Kits
	11-1576-04	11-1576	4	Screw: 10-24 X 0.437" ISHWHSW Indented Slotted Hex Washer Head Screw	na	na	Hardware item: check with customer support
	11-A-1505-02	11-A-1505	3	Screw: 10-32 x0.375" Slotted Hex Washer Head SEMS	na	na	Hardware item: check with customer support
	11-A-1508-04	11-A-1508	3	Screw: 1/4-20 x0.50" Slotted Hex Washer Head SIMS	na	na	Hardware item: check with customer support
	12-A-1802-01	12-A-1802	1	P1 Main Filler 100-125A frames ED, BL/BQD or xGB (use for Original or Revised P1 and other applications)	DFFPED01	1 kit	P1 Main Filler 100-125A frames ED, BL/BQD or xGB (use for Original or Revised P1 and other applications)
	11-1150-01	11-1150	1	Label: "MAIN", used many places in all Panelboards and Swbds where Main must be marked.	na	na	Generally included in most Main Breaker kits and with MB interiors.
	11-A-1888-01	11-A-1888	1	350kcmil Aluminum Lug, #6-350kcmil, CU or AL cable, 0.265" dia. mounting hole. See Assembly number 11-A-2070-01 for lug with stud inserted.	na	na	Lug used in many kits and neutral applications. ref. ILSCO # D3804-00 (for Lug with stud inserted - see # 11-A-2070-01)
	11-A-1645-01	11-A-1645	1	Bolt: 1/4-20 x .875" Steel Ribbed-neck Bolt	na	na	Hardware item: check with customer support
	11-A-1521-01	11-A-1521	1	Nut: Belleville Washer Nut, 1/4-20, narrow	na	na	Hardware item: check with customer support
	11-A-1113-01	11-A-1113	1	Instruction Sheet for Revised P1 ED Main Breaker Strap Kits, MBKED1A and MBKED3A	See online Kit instruction sheets when needed		

Addendum B: P1 Kits and related parts (original P1 and Revised P1 included)

Distributor Kit # ref.	Base Part/ Assembly Reference #	Drawing # Ref	Kit Qty.	Kit or Part Description with additional info	Distributor Kit #	Dist Pack Qty.	Distributor Pack Description or additional info
MBKQJ1A	11-D-2546-01	11-D-2546-01	1 kit	Revised P1 QJ 1-Phase Main/SubFeed Strap Kit, Copper straps with hardware, Neutral Lug and filler. For 250A panels and Subfeed-only 400A Panels	MBKQJ1A	1 kit	Revised P1 QJ 1-Phase Main/SubFeed Strap Kit, Copper straps with hardware, Neutral Lug and filler. For 250A panels and Subfeed-only 400A Panels
	11-A-1521-01	11-A-1521	1	Nut: Belleville Washer Nut, 1/4-20, narrow	na	na	Hardware item: check with customer support
	11-1150-01	11-1150	1	Label: "MAIN", used many places in all Panelboards and Swbds where Main must be marked.	na	na	Generally included in most Main Breaker kits and with MB interiors.
	11-D-4550-01	11-D-4550	1	Revised P1 Breaker Support, 1PH & 3PH, for QR/QJ Main/Subfeed kits	na	na	See MBKQR1A(3A) and MBKQJ1A(3A) Kits
	11-D-3935-01	11-D-3935	1	Revised P1 Copper Short Strap, for QR/QJ Main kits, tin plated	na	na	See MBKQR1A(3A) and MBKQJ1A(3A) Kits
	11-D-3937-02	11-D-3937	4	Revised P1 Copper Middle Strap, for QR/QJ 1-phase Main kits, tin plated	na	na	See MBKQR1A and MBKQJ1A Kits
	11-A-1508-04	11-A-1508	4	Screw: 1/4-20 x0.50" Slotted Hex Washer Head SIMS	na	na	Hardware item: check with customer support
	11-1576-04	11-1576	1	Screw: 10-24 X 0.437" ISHWHSW Indented Slotted Hex Washer Head Screw	na	na	Hardware item: check with customer support
	11-1542-16	11-1542-16	1	Screw: 1/4-20 X 3.25" SRHMS Slotted Round Head Machine Screw	na	na	Hardware item: check with customer support
	12-A-1804-02	12-A-1804	1	QJ Main Filler Plate for 1-Phase (2-pole) P1 Panels (use for Original or Revised P1 and other applications)	DFFPQJ02	1 kit	QJ Main Filler Plate for 1-Phase (2-pole) P1 Panels (use for Original or Revised P1 and other applications)
	11-A-1888-01	11-A-1888	1	350kcmil Aluminum Lug, #6-350kcmil, CU or AL cable, 0.265" dia. mounting hole. See Assembly number 11-A-2070-01 for lug with stud inserted.	na	na	Lug used in many kits and neutral applications. ref. ILSCO # D3804-00 (for Lug with stud inserted - see # 11-A-2070-01)
	11-A-1645-01	11-A-1645	1	Bolt: 1/4-20 x .875" Steel Ribbed-neck Bolt	na	na	Hardware item: check with customer support
	11-A-1112-01	11-A-1112-01	1	MBKQJ1A and MBKQJ3A Instructions for 250A Revised P1 QJ Main/Subfeed Breaker Strap Kits. Also used for 400A Subfeed applications.	See online Kit instruction sheets when needed		
MBKQJ3A	11-D-2546-02	11-D-2546-02	1 kit	Revised P1 QJ 3-Phase Main/SubFeed Strap Kit, Copper straps with hardware, Neutral Lug and filler. For 250A panels and Subfeed-only 400A Panels	MBKQJ3A	1 kit	Revised P1 QJ 3-Phase Main/SubFeed Strap Kit, Copper straps with hardware, Neutral Lug and filler. For 250A panels and Subfeed-only 400A Panels
	11-A-1521-01	11-A-1521	1	Nut: Belleville Washer Nut, 1/4-20, narrow	na	na	Hardware item: check with customer support
	12-A-1804-01	12-A-1804	1	QJ Main Filler Plate for 3-Phase (3-pole) P1 Panels (use for Original or Revised P1 and other applications)	DFFPQJ01	1 kit	QJ Main Filler Plate for 3-Phase (3-pole) P1 Panels (use for Original or Revised P1 and other applications)
	11-1150-01	11-1150	1	Label: "MAIN", used many places in all Panelboards and Swbds where Main must be marked.	na	na	Generally included in most Main Breaker kits and with MB interiors.
	11-D-4550-01	11-D-4550	1	Revised P1 Breaker Support, 1PH & 3PH, for QR/QJ Main/Subfeed kits	na	na	See MBKQR1A(3A) and MBKQJ1A(3A) Kits
	11-D-3935-01	11-D-3935	1	Revised P1 Copper Short Strap, for QR/QJ Main kits, tin plated	na	na	See MBKQR1A(3A) and MBKQJ1A(3A) Kits
	11-D-3937-01	11-D-3937	1	Revised P1 Copper Middle Strap, for QR/QJ 3-phase Main kits, tin plated	na	na	See MBKQR3A and MBKQJ3A Kits
	11-D-3939-01	11-D-3939	1	Revised P1 Copper Long Strap, for QR/QJ 3-phase Main kits, tin plated	na	na	See MBKQR3A and MBKQJ3A Kits
	11-A-1508-04	11-A-1508	6	Screw: 1/4-20 x0.50" Slotted Hex Washer Head SIMS	na	na	Hardware item: check with customer support
	11-1576-04	11-1576	4	Screw: 10-24 X 0.437" ISHWHSW Indented Slotted Hex Washer Head Screw	na	na	Hardware item: check with customer support
	11-1542-16	11-1542-16	2	Screw: 1/4-20 X 3.25" SRHMS Slotted Round Head Machine Screw	na	na	Hardware item: check with customer support
	11-A-1888-01	11-A-1888	1	350kcmil Aluminum Lug, #6-350kcmil, CU or AL cable, 0.265" dia. mounting hole. See Assembly number 11-A-2070-01 for lug with stud inserted.	na	na	Lug used in many kits and neutral applications. ref. ILSCO # D3804-00 (for Lug with stud inserted - see # 11-A-2070-01)

Addendum B: P1 Kits and related parts (original P1 and Revised P1 included)

Distributor Kit # ref.	Base Part/ Assembly Reference #	Drawing # Ref	Kit Qty.	Kit or Part Description with additional info	Distributor Kit #	Dist Pack Qty.	Distributor Pack Description or additional info
	11-A-1645-01	11-A-1645	1	Bolt: 1/4-20 x .875" Steel Ribbed-neck Bolt	na	na	Hardware item: check with customer support
	11-A-1112-01	11-A-1112-01	1	MBKQJ1A and MBKQJ3A Instructions for 250A Revised P1 QJ Main/Subfeed Breaker Strap Kits. Also used for 400A Subfeed applications.	See online Kit instruction sheets when needed		
MBKQR1A	11-D-2635-01	11-D-2635-01	1	Revised P1 QR Main/Subfeed Breaker Kit, 1-phase, Copper straps with hardware, Neutral Lug and filler.	MBKQR1A	1 kit	Revised P1 QR Main/Subfeed Breaker Kit, 1-phase, Copper straps with neutral lug and hardware.
	11-D-4550-01	11-D-4550	1	Revised P1 Breaker Support, 1PH & 3PH, for QR/QJ Main/Subfeed kits	na	na	See MBKQR1A(3A) and MBKQJ1A(3A) Kits
	11-D-3935-01	11-D-3935	1	Revised P1 Copper Short Strap, for QR/QJ Main kits, tin plated	na	na	See MBKQR1A(3A) and MBKQJ1A(3A) Kits
	11-D-3937-02	11-D-3937	1	Revised P1 Copper Middle Strap, for QR/QJ 1-phase Main kits, tin plated	na	na	See MBKQR1A and MBKQJ1A Kits
	11-1542-16	11-1542-16	1	Screw: 1/4-20 X 3.25" SRHMS Slotted Round Head Machine Screw	na	na	Hardware item: check with customer support
	11-A-1508-04	11-A-1508	4	Screw: 1/4-20 x0.50" Slotted Hex Washer Head SIMS	na	na	Hardware item: check with customer support
	11-1576-04	11-1576	4	Screw: 10-24 X 0.437" ISHWHSW Indented Slotted Hex Washer Head Screw	na	na	Hardware item: check with customer support
	11-D-4563-01	11-D-4563	1	QR Deadfront Filler Plate, Plastic snap-in for RP1, P2 and other products. (Horizontal Mount)	MBKQRFK	1 kit	P1/RP1 FILLER FOR 2P/3P QR - HORIZ MOUNT
	11-1150-01	11-1150	1	Label: "MAIN", used many places in all Panelboards and Swbds where Main must be marked.	na	na	Generally included in most Main Breaker kits and with MB interiors.
	11-A-1888-01	11-A-1888	1	350kcmil Aluminum Lug, #6-350kcmil, CU or AL cable, 0.265" dia. mounting hole. See Assembly number 11-A-2070-01 for lug with stud inserted.	na	na	Lug used in many kits and neutral applications. ref. ILSCO # D3804-00 (for Lug with stud inserted - see # 11-A-2070-01)
	11-A-1645-01	11-A-1645	1	Bolt: 1/4-20 x .875" Steel Ribbed-neck Bolt	na	na	Hardware item: check with customer support
	11-A-1521-01	11-A-1521	1	Nut: Belleville Washer Nut, 1/4-20, narrow	Hardware item: - check with customer support		
	11-A-1130-01	11-A-1130	1	Instruction Sheet for Revised P1 QR Main Breaker Strap Kits, MBKQR1A and MBKQR3A	See online Kit instruction sheets when needed		
MBKQR3A	11-D-2635-02	11-D-2635-02	1	Revised P1 QR Main/Subfeed Breaker Kit, 3-phase, Copper straps with hardware, Neutral Lug and filler.	MBKQR3A	1 kit	Revised P1 QR Main/Subfeed Breaker Kit, 3-phase, Copper straps with neutral lug and hardware.
	11-D-4550-01	11-D-4550	1	Revised P1 Breaker Support, 1PH & 3PH, for QR/QJ Main/Subfeed kits	na	na	See MBKQR1A(3A) and MBKQJ1A(3A) Kits
	11-D-3935-01	11-D-3935	1	Revised P1 Copper Short Strap, for QR/QJ Main kits, tin plated	na	na	See MBKQR1A(3A) and MBKQJ1A(3A) Kits
	11-D-3937-01	11-D-3937	1	Revised P1 Copper Middle Strap, for QR/QJ 3-phase Main kits, tin plated	na	na	See MBKQR3A and MBKQJ3A Kits
	11-D-3939-01	11-D-3939	1	Revised P1 Copper Long Strap, for QR/QJ 3-phase Main kits, tin plated	na	na	See MBKQR3A and MBKQJ3A Kits
	11-A-1508-04	11-A-1508	6	Screw: 1/4-20 x0.50" Slotted Hex Washer Head SIMS	na	na	Hardware item: check with customer support
	11-1542-16	11-1542-16	2	Screw: 1/4-20 X 3.25" SRHMS Slotted Round Head Machine Screw	na	na	Hardware item: check with customer support
	11-1576-04	11-1576	4	Screw: 10-24 X 0.437" ISHWHSW Indented Slotted Hex Washer Head Screw	na	na	Hardware item: check with customer support
	11-D-4563-01	11-D-4563	1	QR Deadfront Filler Plate, Plastic snap-in for RP1, P2 and other products. (Horizontal Mount)	MBKQRFK	1 kit	P1/RP1 FILLER FOR 2P/3P QR - HORIZ MOUNT
	11-1150-01	11-1150	1	Label: "MAIN", used many places in all Panelboards and Swbds where Main must be marked.	na	na	Generally included in most Main Breaker kits and with MB interiors.
	11-A-1888-01	11-A-1888	1	350kcmil Aluminum Lug, #6-350kcmil, CU or AL cable, 0.265" dia. mounting hole. See Assembly number 11-A-2070-01 for lug with stud inserted.	na	na	Lug used in many kits and neutral applications. ref. ILSCO # D3804-00 (for Lug with stud inserted - see # 11-A-2070-01)

Addendum B: P1 Kits and related parts (original P1 and Revised P1 included)

Distributor Kit # ref.	Base Part/ Assembly Reference #	Drawing # Ref	Kit Qty.	Kit or Part Description with additional info	Distributor Kit #	Dist Pack Qty.	Distributor Pack Description or additional info
	11-A-1645-01	11-A-1645	1	Bolt: 1/4-20 x .875" Steel Ribbed-neck Bolt	na	na	Hardware item: check with customer support
	11-A-1521-01	11-A-1521	1	Nut: Belleville Washer Nut, 1/4-20, narrow	na	na	Hardware item: check with customer support
	11-A-1130-01	11-A-1130	1	Instruction Sheet for Revised P1 QR Main Breaker Strap Kits, MBKQR1A and MBKQR3A	See online Kit instruction sheets when needed		
MBKFD1A	11-D-2545-01	11-D-2545-01	1	Revised P1 FD Main/Subfeed Breaker Kit, 1-phase, Copper straps with hardware, Neutral Lug and filler.	MBKFD1A	1 kit	Revised P1 FD Main/Subfeed Breaker Kit, 1-phase, Copper straps with neutral lug and hardware.
	11-D-4549-01	11-D-4549	1	Revised P1 Breaker Support, 1PH & 3PH, for FD Main/Subfeed kits	na	na	See MBKFD1A and MBKFD3A Kits
	11-D-3929-01	11-D-3929	1	Revised P1 Copper Short Strap, for FD Main kits, tin plated	na	na	See MBKFD1A and MBKFD3A Kits
	11-D-3933-01	11-D-3933	1	Revised P1 Copper Long Strap, for FD Main kits, tin plated	na	na	See MBKFD1A and MBKFD3A Kits
	11-1576-04	11-1576	2	Screw: 10-24 X 0.437" ISHWHSW Indented Slotted Hex Washer Head Screw	na	na	Hardware item: check with customer support
	11-A-1508-04	11-A-1508	2	Screw: 1/4-20 x0.50" Slotted Hex Washer Head SIMS	na	na	Hardware item: check with customer support
	11-A-1508-08	11-A-1508	2	Screw: 1/4-20 x0.875" Slotted Hex Washer Head SIMS	na	na	Hardware item: check with customer support
	12-A-1803-01	12-A-1803	1	FD Main Filler Plate for 1-Ph and 3-Ph P1 Panels (use for Original or Revised P1 and other applications)	DFPF01	1 kit	FD Main Filler Plate for 1-Ph and 3-Ph P1 Panels (use for Original or Revised P1 and other applications)
	11-1150-01	11-1150	1	Label: "MAIN", used many places in all Panelboards and Swbds where Main must be marked.	na	na	Generally included in most Main Breaker kits and with MB interiors.
	11-1542-19	11-1542	2	Screw: 1/4-20 X 4.00" SRHMS Slotted Round Head Machine Screw	na	na	Hardware item: check with customer support
	11-A-1888-01	11-A-1888	1	350kcmil Aluminum Lug, #6-350kcmil, CU or AL cable, 0.265" dia. mounting hole. See Assembly number 11-A-2070-01 for lug with stud inserted.	na	na	Lug used in many kits and neutral applications. ref. ILSCO # D3804-00 (for Lug with stud inserted - see # 11-A-2070-01)
	11-A-1645-01	11-A-1645	1	Bolt: 1/4-20 x .875" Steel Ribbed-neck Bolt	na	na	Hardware item: check with customer support
	11-A-1521-01	11-A-1521	1	Nut: Belleville Washer Nut, 1/4-20, narrow	na	na	Hardware item: check with customer support
	11-A-1111-01	11-A-1111	1	Instruction Sheet for Revised P1 FD Main Breaker Strap Kits, MBKFD1A and MBKFD3A	See online Kit instruction sheets when needed		
MBKFD3A	11-D-2545-02	11-D-2545-02	1	Revised P1 FD Main/Subfeed Breaker Kit, 3-phase, Copper straps with hardware, Neutral Lug and filler.	MBKFD3A	1 kit	Revised P1 FD Main/Subfeed Breaker Kit, 3-phase, Copper straps with neutral lug and hardware.
	11-D-4549-01	11-D-4549	1	Revised P1 Breaker Support, 1PH & 3PH, for FD Main/Subfeed kits	na	na	See MBKFD1A and MBKFD3A Kits
	11-D-4553-01	11-D-4553	1	Revised P1 Barrier, 3PH only, for FD Main/Subfeed kits, used with Main Support # 11-D-4549-01	na	na	See MBKFD3A Kits
	11-D-3929-01	11-D-3929	1	Revised P1 Copper Short Strap, for FD Main kits, tin plated	na	na	See MBKFD1A and MBKFD3A Kits
	11-D-3931-01	11-D-3931	1	Revised P1 Copper Middle Strap (B-phase), for FD Main kits, tin plated	na	na	See MBKFD3A Kits
	11-D-3933-01	11-D-3933	1	Revised P1 Copper Long Strap, for FD Main kits, tin plated	na	na	See MBKFD1A and MBKFD3A Kits
	11-1576-04	11-1576	2	Screw: 10-24 X 0.437" ISHWHSW Indented Slotted Hex Washer Head Screw	na	na	Hardware item: check with customer support
	11-A-1508-04	11-A-1508	3	Screw: 1/4-20 x0.50" Slotted Hex Washer Head SIMS	na	na	Hardware item: check with customer support
	11-A-1508-08	11-A-1508	3	Screw: 1/4-20 x0.875" Slotted Hex Washer Head SIMS	na	na	Hardware item: check with customer support

Addendum B: P1 Kits and related parts (original P1 and Revised P1 included)

Distributor Kit # ref.	Base Part/ Assembly Reference #	Drawing # Ref	Kit Qty.	Kit or Part Description with additional info	Distributor Kit #	Dist Pack Qty.	Distributor Pack Description or additional info
	12-A-1803-01	12-A-1803	1	FD Main Filler Plate for 1-Ph and 3-Ph P1 Panels (use for Original or Revised P1 and other applications)	DFFPFD01	1 kit	FD Main Filler Plate for 1-Ph and 3-Ph P1 Panels (use for Original or Revised P1 and other applications)
	11-1150-01	11-1150	1	Label: "MAIN", used many places in all Panelboards and Swbds where Main must be marked.	na	na	Generally included in most Main Breaker kits and with MB interiors.
	11-1542-19	11-1542	2	Screw: 1/4-20 X 4.00" SRHMS Slotted Round Head Machine Screw	na	na	Hardware item: check with customer support
	11-A-1888-01	11-A-1888	1	350kcmil Aluminum Lug, #6-350kcmil, CU or AL cable, 0.265" dia. mounting hole. See Assembly number 11-A-2070-01 for lug with stud inserted.	na	na	Lug used in many kits and neutral applications. ref. ILSCO # D3804-00 (for Lug with stud inserted - see # 11-A-2070-01)
	11-A-1645-01	11-A-1645	1	Bolt: 1/4-20 x .875" Steel Ribbed-neck Bolt	na	na	Hardware item: check with customer support
	11-A-1521-01	11-A-1521	1	Nut: Belleville Washer Nut, 1/4-20, narrow	na	na	Hardware item: check with customer support
	11-A-1111-01	11-A-1111	1	Instruction Sheet for Revised P1 FD Main Breaker Strap Kits, MBKFD1A and MBKFD3A	See online Kit instruction sheets when needed		
MBKJD1A	11-D-2541-01	11-D-2541-01	1	Revised P1 JD Main/Subfeed Breaker Kit, 1-phase, Copper straps with hardware, Neutral Lug and filler.	MBKJD1A	1 kit	Revised P1 JD Main/Subfeed Breaker Kit, 1-phase, Copper straps with neutral lug and hardware.
	11-D-4502-01	11-D-4502	1	Original P1 or RP1 JD Main Breaker Support barrier, 1PH or 3PH	na	na	See MBKJD1(A) and MBKJD3(A) Kit
	11-D-3947-01	11-D-3947	1	Revised P1 Copper Right side Strap, for JD Main kits, tin plated	na	na	See MBKJD1A and MBKJD3A Kits
	11-D-3951-01	11-D-3951	1	Revised P1 Copper Left side Strap, for JD Main kits, tin plated	na	na	See MBKJD1A and MBKJD3A Kits
	11-D-4522-01	11-D-4522	1	JD Main Filler Plate for 1-Ph and 3-Ph P1 Panels (use for Original or Revised P1 and other applications)	DFFPJD01	1 kit	JD Main Filler Plate for 1-Ph and 3-Ph P1 Panels (use for Original or Revised P1 and other applications)
	11-1615-07	11-1615	2	Washer: Type A Plain 3/8" Narrow, .406"x.812"x.065"	na	na	Hardware item: check with customer support
	11-1618-05	11-1618	2	Washer: 3/8" Helical Spring Lock washer, .382"x.683"x.094"	na	na	Hardware item: check with customer support
	11-1586-05	11-1586	2	Screw: 3/8-16x1.00" HHMS, Hex Head Machine Screw	na	na	Hardware item: check with customer support
	11-A-1520-07	11-A-1520	4	Screw: 5/16-18 X 0.750" IHWHWSW, Indented Hex Washer-Head Screw, Thread Forming SEMS with captive Belleville washer.	na	na	Hardware item: check with customer support
	11-A-1552-10	11-A-1552	2	Screw:1/4-20 x 2.75" Thread Forming Phillips Pan Head	na	na	Hardware item: check with customer support
	11-1150-01	11-1150	1	Label: "MAIN", used many places in all Panelboards and Swbds where Main must be marked.	na	na	Generally included in most Main Breaker kits and with MB interiors.
	11-D-3218-01	11-D-3218	1	Anti-turn plate, 16GA Galvanized, 0.281" Square mounting hole, used in RP1 400A MB, MLO and Neutral kits.	na	na	See 42NLKxxA, 4MLKAXx, and MBKJDxA Kits
	11-1540-02	11-1540	1	Screw: Carriage Bolt, 1/4-20 X 1 RHSNB, Grade 5, full thread	na	na	Hardware item: check with customer support
	11-A-1867-01	11-A-1867	1	600kcmil-2AWG Aluminum Lug w/anti-turn provision, 0.313" dia. mounting hole, for single Copper or Aluminum cable, (ref. ILSCO # D3738A22T), used in RP1 400A MB, MLO and Neutral kits.	na	na	See 42NLKxxA, 4MLKAXx, and MBKJDxA Kits
	11-A-1521-01	11-A-1521	2	Nut: Belleville Washer Nut, 1/4-20, narrow	na	na	Hardware item: check with customer support
	11-A-1888-01	11-A-1888	1	350kcmil Aluminum Lug, #6-350kcmil, CU or AL cable, 0.265" dia. mounting hole. See Assembly number 11-A-2070-01 for lug with stud inserted.	na	na	Lug used in many kits and neutral applications. ref. ILSCO # D3804-00 (for Lug with stud inserted - see # 11-A-2070-01)

Addendum B: P1 Kits and related parts (original P1 and Revised P1 included)

Distributor Kit # ref.	Base Part/ Assembly Reference #	Drawing # Ref	Kit Qty.	Kit or Part Description with additional info	Distributor Kit #	Dist Pack Qty.	Distributor Pack Description or additional info
	11-A-1645-01	11-A-1645	1	Bolt: 1/4-20 x .875" Steel Ribbed-neck Bolt	na	na	Hardware item: check with customer support
	11-A-1115-01	11-A-1115	1	Instruction Sheet for Revised P1 JD Main Breaker Strap Kits, MBKJD1A and MBKJD3A	See online Kit instruction sheets when needed		
MBKJD3A	11-D-2541-02	11-D-2541-02	1	Revised P1 JD Main/Subfeed Breaker Kit, 3-phase, Copper straps with hardware, Neutral Lug and filler.	MBKJD3A	1 kit	Revised P1 JD Main/Subfeed Breaker Kit, 3-phase, Copper straps with neutral lug and hardware.
	11-D-4502-01	11-D-4502	1	Original P1 or RP1 JD Main Breaker Support barrier, 1PH or 3PH	na	na	See MBKJD1(A) and MBKJD3(A) Kit
	11-D-3947-01	11-D-3947	1	Revised P1 Copper Right side Strap, for JD Main kits, tin plated	na	na	See MBKJD1A and MBKJD3A Kits
	11-D-3951-01	11-D-3951	1	Revised P1 Copper Left side Strap, for JD Main kits, tin plated	na	na	See MBKJD1A and MBKJD3A Kits
	11-D-3949-01	11-D-3949	1	Revised P1 Copper Middle Strap (B-phase only), for JD Main kits, tin plated	na	na	See MBKJD3A Kits
	11-D-4522-01	11-D-4522	1	JD Main Filler Plate for 1-Ph and 3-Ph P1 Panels (use for Original or Revised P1 and other applications)	DFFPJD01	1 kit	JD Main Filler Plate for 1-Ph and 3-Ph P1 Panels (use for Original or Revised P1 and other applications)
	11-1615-07	11-1615	3	Washer: Type A Plain 3/8" Narrow, .406"x.812"x.065"	na	na	Hardware item: check with customer support
	11-1618-05	11-1618	3	Washer: 3/8" Helical Spring Lock washer, .382"x.683"x.094"	na	na	Hardware item: check with customer support
	11-1586-05	11-1586	3	Screw: 3/8-16x1.00" HHMS, Hex Head Machine Screw	na	na	Hardware item: check with customer support
	11-A-1520-07	11-A-1520	6	Screw: 5/16-18 X 0.750" IHWSHW, Indented Hex Washer-Head Screw, Thread Forming SEMS with captive Belleville washer.	na	na	Hardware item: check with customer support
	11-A-1552-10	11-A-1552	2	Screw: 1/4-20 x 2.75" Thread Forming Phillips Pan Head	na	na	Hardware item: check with customer support
	11-1150-01	11-1150	1	Label: "MAIN", used many places in all Panelboards and Swbds where Main must be marked.	na	na	Generally included in most Main Breaker kits and with MB interiors.
	11-D-3218-01	11-D-3218	1	Anti-turn plate, 16GA Galvanized, 0.281" Square mounting hole, used in RP1 400A MB, MLO and Neutral kits.	na	na	See 42NLKxxA, 4MLKxX, and MBKJDxA Kits
	11-1540-02	11-1540	1	Screw: Carriage Bolt, 1/4-20 X 1 RHSNB, Grade 5, full thread	na	na	Hardware item: check with customer support
	11-A-1867-01	11-A-1867	1	600kcmil-2AWG Aluminum Lug w/anti-turn provision, 0.313" dia. mounting hole, for single Copper or Aluminum cable, (ref. ILSCO # D3738A22T), used in RP1 400A MB, MLO and Neutral kits.	na	na	See 42NLKxxA, 4MLKxA, and MBKJDxA Kits
	11-A-1521-01	11-A-1521	2	Nut: Belleville Washer Nut, 1/4-20, narrow	na	na	Hardware item: check with customer support
	11-A-1888-01	11-A-1888	1	350kcmil Aluminum Lug, #6-350kcmil, CU or AL cable, 0.265" dia. mounting hole. See Assembly number 11-A-2070-01 for lug with stud inserted.	na	na	Lug used in many kits and neutral applications. ref. ILSCO # D3804-00 (for Lug with stud inserted - see # 11-A-2070-01)
	11-A-1645-01	11-A-1645	1	Bolt: 1/4-20 x .875" Steel Ribbed-neck Bolt	na	na	Hardware item: check with customer support
	11-A-1115-01	11-A-1115	1	Instruction Sheet for Revised P1 JD Main Breaker Strap Kits, MBKJD1A and MBKJD3A	See online Kit instruction sheets when needed		
MBKED3100A	MBKED3100A	see instruction sheet	1	Revised P1 Main/Subfeed Breaker Kit, 3PH 100A 480V @18kA, 240V @65kA, with ED43B100 Breaker installed into Strap kit #MBKED3A	MBKED3100A	1 kit	Revised P1 Main/Subfeed Breaker Kit, 3PH 100A 480V @18kA, 240V @65kA, with ED43B100 Breaker installed into Strap kit #MBKED3A
MBKED3125A	MBKED3125A	see instruction sheet	1	Revised P1 Main/Subfeed Breaker Kit, 3PH 125A 480V @18kA, 240V @ 65kA, with ED43B125 Breaker installed into Strap kit #MBKED3A	MBKED3125A	1 kit	Revised P1 Main/Subfeed Breaker Kit, 3PH 125A 480V @18kA, 240V @ 65kA, with ED43B125 Breaker installed into Strap kit #MBKED3A

Addendum B: P1 Kits and related parts (original P1 and Revised P1 included)

Distributor Kit # ref.	Base Part/ Assembly Reference #	Drawing # Ref	Kit Qty.	Kit or Part Description with additional info	Distributor Kit #	Dist Pack Qty.	Distributor Pack Description or additional info
MBKQR1125A	MBKQR1125A	see instruction sheet	1	Revised P1 Main/Subfeed Breaker Kit, 1PH 125A 240V @ 10KA with QR22B125 Breaker installed in kit # MBKQR1A	MBKQR1125A	1 kit	Revised P1 Main/Subfeed Breaker Kit, 1PH 125A 240V @ 10KA with QR22B125 Breaker installed in kit # MBKQR1A
MBKQR1150A	MBKQR1150A	see instruction sheet	1	Revised P1 Main/Subfeed Breaker Kit, 1PH 150A 240V @10KA with QR22B150 Breaker installed in kit #MBKQR1A	MBKQR1150A	1 kit	Revised P1 Main/Subfeed Breaker Kit, 1PH 150A 240V @10KA with QR22B150 Breaker installed in kit #MBKQR1A
MBKQR1175A	MBKQR1175A	see instruction sheet	1	Revised P1 Main/Subfeed Breaker Kit, 1PH 175A 240V @10KA with QR22B175 Breaker installed in kit #MBKQR1A	MBKQR1175A	1 kit	Revised P1 Main/Subfeed Breaker Kit, 1PH 175A 240V @10KA with QR22B175 Breaker installed in kit #MBKQR1A
MBKQR1200A	MBKQR1200A	see instruction sheet	1	Revised P1 Main/Subfeed Breaker Kit, 1PH 200A 240V @10KA with QR22B200 Breaker installed in kit #MBKQR1A	MBKQR1200A	1 kit	Revised P1 Main/Subfeed Breaker Kit, 1PH 200A 240V @10KA with QR22B200 Breaker installed in kit #MBKQR1A
MBKQR1225A	MBKQR1225A	see instruction sheet	1	Revised P1 Main/Subfeed Breaker Kit, 1PH 225A 240V @10KA with QR22B225 Breaker installed in kit #MBKQR1A	MBKQR1225A	1 kit	Revised P1 Main/Subfeed Breaker Kit, 1PH 225A 240V @10KA with QR22B225 Breaker installed in kit #MBKQR1A
MBKQR3125A	MBKQR3125A	see instruction sheet	1	Revised P1 Main/Subfeed Breaker Kit, 3PH 125A 240V @10KA with QR23B125 Breaker installed in kit #MBKQR3A	MBKQR3125A	1 kit	Revised P1 Main/Subfeed Breaker Kit, 3PH 125A 240V @10KA with QR23B125 Breaker installed in kit #MBKQR3A
MBKQR3150A	MBKQR3150A	see instruction sheet	1	Revised P1 Main/Subfeed Breaker Kit, 3PH 150A 240V @10KA with QR23B150 Breaker installed in kit #MBKQR3A	MBKQR3150A	1 kit	Revised P1 Main/Subfeed Breaker Kit, 3PH 150A 240V @10KA with QR23B150 Breaker installed in kit #MBKQR3A
MBKQR3175A	MBKQR3175A	see instruction sheet	1	Revised P1 Main/Subfeed Breaker Kit, 3PH 175A 240V @10KA with QR23B175 Breaker installed in kit #MBKQR3A	MBKQR3175A	1 kit	Revised P1 Main/Subfeed Breaker Kit, 3PH 175A 240V @10KA with QR23B175 Breaker installed in kit #MBKQR3A
MBKQR3200A	MBKQR3200A	see instruction sheet	1	Revised P1 Main/Subfeed Breaker Kit, 3PH 200A 240V @10KA with QR23B200 Breaker installed in kit #MBKQR3A	MBKQR3200A	1 kit	Revised P1 Main/Subfeed Breaker Kit, 3PH 200A 240V @10KA with QR23B200 Breaker installed in kit #MBKQR3A
MBKQR3225A	MBKQR3225A	see instruction sheet	1	Revised P1 Main/Subfeed Breaker Kit, 3PH 225A 240V @10KA with QR23B225 Breaker installed in kit #MBKQR3A	MBKQR3225A	1 kit	Revised P1 Main/Subfeed Breaker Kit, 3PH 225A 240V @10KA with QR23B225 Breaker installed in kit #MBKQR3A
MBKQR1125HA	MBKQR1125HA	see instruction sheet	1	Revised P1 Main/Subfeed Breaker Kit, 1PH 125A 240V @65KA with HQR22B125 Breaker installed in kit #MBKQR1A	MBKQR1125HA	1 kit	Revised P1 Main/Subfeed Breaker Kit, 1PH 125A 240V @65KA with HQR22B125 Breaker installed in kit #MBKQR1A
MBKQR1150HA	MBKQR1150HA	see instruction sheet	1	Revised P1 Main/Subfeed Breaker Kit, 1PH 150A 240V @65KA with HQR22B150 Breaker installed in kit #MBKQR1A	MBKQR1150HA	1 kit	Revised P1 Main/Subfeed Breaker Kit, 1PH 150A 240V @65KA with HQR22B150 Breaker installed in kit #MBKQR1A
MBKQR1175HA	MBKQR1175HA	see instruction sheet	1	Revised P1 Main/Subfeed Breaker Kit, 1PH 175A 240V @65KA with HQR22B175 Breaker installed in kit #MBKQR1A	MBKQR1175HA	1 kit	Revised P1 Main/Subfeed Breaker Kit, 1PH 175A 240V @65KA with HQR22B175 Breaker installed in kit #MBKQR1A
MBKQR1200HA	MBKQR1200HA	see instruction sheet	1	Revised P1 Main/Subfeed Breaker Kit, 1PH 200A 240V @65KA with HQR22B200 Breaker installed in kit #MBKQR1A	MBKQR1200HA	1 kit	Revised P1 Main/Subfeed Breaker Kit, 1PH 200A 240V @65KA with HQR22B200 Breaker installed in kit #MBKQR1A
MBKQR1225HA	MBKQR1225HA	see instruction sheet	1	Revised P1 Main/Subfeed Breaker Kit, 1PH 225A 240V @65KA with HQR22B225 Breaker installed in kit #MBKQR1A	MBKQR1225HA	1 kit	Revised P1 Main/Subfeed Breaker Kit, 1PH 225A 240V @65KA with HQR22B225 Breaker installed in kit #MBKQR1A
MBKQR3125HA	MBKQR3125HA	see instruction sheet	1	Revised P1 Main/Subfeed Breaker Kit, 3PH 125A 240V @65KA with HQR23B125 Breaker installed in kit #MBKQR3A	MBKQR3125HA	1 kit	Revised P1 Main/Subfeed Breaker Kit, 3PH 125A 240V @65KA with HQR23B125 Breaker installed in kit #MBKQR3A

Addendum B: P1 Kits and related parts (original P1 and Revised P1 included)

Distributor Kit # ref.	Base Part/ Assembly Reference #	Drawing # Ref	Kit Qty.	Kit or Part Description with additional info	Distributor Kit #	Dist Pack Qty.	Distributor Pack Description or additional info
MBKQR3150HA	MBKQR3150HA	see instruction sheet	1	Revised P1 Main/Subfeed Breaker Kit, 3PH 150A 240V @65KA with HQR23B150 Breaker installed in kit #MBKQR3A	MBKQR3150HA	1 kit	Revised P1 Main/Subfeed Breaker Kit, 3PH 150A 240V @65KA with HQR23B150 Breaker installed in kit #MBKQR3A
MBKQR3175HA	MBKQR3175HA	see instruction sheet	1	Revised P1 Main/Subfeed Breaker Kit, 3PH 175A 240V @65KA with HQR23B175 Breaker installed in kit #MBKQR3A	MBKQR3175HA	1 kit	Revised P1 Main/Subfeed Breaker Kit, 3PH 175A 240V @65KA with HQR23B175 Breaker installed in kit #MBKQR3A
MBKQR3200HA	MBKQR3200HA	see instruction sheet	1	Revised P1 Main/Subfeed Breaker Kit, 3PH 200A 240V @65KA with HQR23B200 Breaker installed in kit #MBKQR3A	MBKQR3200HA	1 kit	Revised P1 Main/Subfeed Breaker Kit, 3PH 200A 240V @65KA with HQR23B200 Breaker installed in kit #MBKQR3A
MBKQR3225HA	MBKQR3225HA	see instruction sheet	1	Revised P1 Main/Subfeed Breaker Kit, 3PH 225A 240V @65KA with HQR23B225 Breaker installed in kit #MBKQR3A	MBKQR3225HA	1 kit	Revised P1 Main/Subfeed Breaker Kit, 3PH 225A 240V @65KA with HQR23B225 Breaker installed in kit #MBKQR3A
MBKFD3150A	MBKFD3150A	see instruction sheet	1	Revised P1 Main/Subfeed Breaker Kit, 3PH 150A 480V @35kA, 240V @65kA with FXD63B150 Breaker installed in kit #MBKFD3A	MBKFD3150A	1 kit	Revised P1 Main/Subfeed Breaker Kit, 3PH 150A 480V @35kA, 240V @65kA with FXD63B150 Breaker installed in kit #MBKFD3A
MBKFD3175A	MBKFD3175A	see instruction sheet	1	Revised P1 Main/Subfeed Breaker Kit, 3PH 175A 480V @35kA, 240V @65kA with FXD63B175 Breaker installed in kit #MBKFD3A	MBKFD3175A	1 kit	Revised P1 Main/Subfeed Breaker Kit, 3PH 175A 480V @35kA, 240V @65kA with FXD63B175 Breaker installed in kit #MBKFD3A
MBKFD3200A	MBKFD3200A	see instruction sheet	1	Revised P1 Main/Subfeed Breaker Kit, 3PH 200A 480V @35kA, 240V @65kA with FXD63B200 Breaker installed in kit #MBKFD3A	MBKFD3200A	1 kit	Revised P1 Main/Subfeed Breaker Kit, 3PH 200A 480V @35kA, 240V @65kA with FXD63B200 Breaker installed in kit #MBKFD3A
MBKFD3225A	MBKFD3225A	see instruction sheet	1	Revised P1 Main/Subfeed Breaker Kit, 3PH 225A 480V @35kA, 240V @65kA with FXD63B225 Breaker installed in kit #MBKFD3A	MBKFD3225A	1 kit	Revised P1 Main/Subfeed Breaker Kit, 3PH 225A 480V @35kA, 240V @65kA with FXD63B225 Breaker installed in kit #MBKFD3A
MBKFD3250A	MBKFD3250A	see instruction sheet	1	Revised P1 Main/Subfeed Breaker Kit, 3PH 250A 480V @35kA, 240V @65kA with FXD63B250 Breaker installed in kit #MBKFD3A	MBKFD3250A	1 kit	Revised P1 Main/Subfeed Breaker Kit, 3PH 250A 480V @35kA, 240V @65kA with FXD63B250 Breaker installed in kit #MBKFD3A
MBKJD1300A	MBKJD1300A	see instruction sheet	1	Revised P1 Main Breaker Kit, 1PH 300A 480V @35kA, 240V @65kA with JXD62B300 Breaker installed in kit #MBKJD1A (not for use as Subfeed). Also includes Lug kit #TA2J6500.	MBKJD1300A	1 kit	Revised P1 Main Breaker Kit, 1PH 300A 480V @35kA, 240V @65kA with JXD62B300 Breaker installed in kit #MBKJD1A (not for use as Subfeed). Also includes Lug kit #TA2J6500.
MBKJD3300A	MBKJD3300A	see instruction sheet	1	Revised P1 Main Breaker Kit, 3PH 300A 480V @35kA, 240V @65kA with JXD63B300 Breaker installed in kit #MBKJD3A (not for use as Subfeed). Also includes Lug kit #TA2J6500.	MBKJD3300A	1 kit	Revised P1 Main Breaker Kit, 3PH 300A 480V @35kA, 240V @65kA with JXD63B300 Breaker installed in kit #MBKJD3A (not for use as Subfeed). Also includes Lug kit #TA2J6500.
MBKJD1400A	MBKJD1400A	see instruction sheet	1	Revised P1 Main Breaker Kit, 1PH 400A 480V @35kA, 240V @65kA with JXD62B400 Breaker installed in kit #MBKJD1A (not for use as Subfeed). Also includes Lug kit #TA2J6500.	MBKJD1400A	1 kit	Revised P1 Main Breaker Kit, 1PH 400A 480V @35kA, 240V @65kA with JXD62B400 Breaker installed in kit #MBKJD1A (not for use as Subfeed). Also includes Lug kit #TA2J6500.
MBKJD3400A	MBKJD3400A	see instruction sheet	1	Revised P1 Main Breaker Kit, 3PH 400A 480V @35kA, 240V @65kA with JXD63B400 Breaker installed in kit #MBKJD3A (not for use as Subfeed). Also includes Lug kit #TA2J6500.	MBKJD3400A	1 kit	Revised P1 Main Breaker Kit, 3PH 400A 480V @35kA, 240V @65kA with JXD63B400 Breaker installed in kit #MBKJD3A (not for use as Subfeed). Also includes Lug kit #TA2J6500.
MBKJD12300A	MBKJD12300A	see instruction sheet	1	Revised P1 Main Breaker Kit, 1PH 300A 240V @65KA with JXD22B300 Breaker installed in kit #MBKJD1A (not for use as Subfeed). Also includes Lug kit #TA2J6500.	MBKJD12300A	1 kit	Revised P1 Main Breaker Kit, 1PH 300A 240V @65KA with JXD22B300 Breaker installed in kit #MBKJD1A (not for use as Subfeed). Also includes Lug kit #TA2J6500.

Addendum B: P1 Kits and related parts (original P1 and Revised P1 included)

Distributor Kit # ref.	Base Part/ Assembly Reference #	Drawing # Ref	Kit Qty.	Kit or Part Description with additional info	Distributor Kit #	Dist Pack Qty.	Distributor Pack Description or additional info
MBKJD32300A	MBKJD32300A	see instruction sheet	1	Revised P1 Main Breaker Kit, 3PH 300A 240V @65KA with JXD23B300 Breaker installed in kit #MBKJD3A (not for use as Subfeed). Also includes Lug kit #TA2J6500.	MBKJD32300A	1 kit	Revised P1 Main Breaker Kit, 3PH 300A 240V @65KA with JXD23B300 Breaker installed in kit #MBKJD3A (not for use as Subfeed). Also includes Lug kit #TA2J6500.
MBKJD12400A	MBKJD12400A	see instruction sheet	1	Revised P1 Main Breaker Kit, 1PH 400A 240V @65KA with JXD22B400 Breaker installed in kit #MBKJD1A (not for use as Subfeed). Also includes Lug kit #TA2J6500.	MBKJD12400A	1 kit	Revised P1 Main Breaker Kit, 1PH 400A 240V @65KA with JXD22B400 Breaker installed in kit #MBKJD1A (not for use as Subfeed). Also includes Lug kit #TA2J6500.
MBKJD32400A	MBKJD32400A	see instruction sheet	1	Revised P1 Main Breaker Kit, 3PH 400A 240V @65KA JXD23B400 Breaker installed in kit #MBKJD3A (not for use as Subfeed). Also includes Lug kit #TA2J6500.	MBKJD32400A	1 kit	Revised P1 Main Breaker Kit, 3PH 400A 240V @65KA JXD23B400 Breaker installed in kit #MBKJD3A (not for use as Subfeed). Also includes Lug kit #TA2J6500.
SEBKR1V1	11-D-2729-01	11-D-2729-01	1	Service Entrance Barrier Kit, RP1, FD/QJ/QR Horiz. Main	SEBKR1V1	1 kit	Service Entrance Barrier Kit, RP1, FD/QJ/QR Horiz. Main
	11-D-3292-01	11-D-3292	1	Revised P1 Service Entrance Barrier Support, for ED, FD, QJ and QR Main kits, tin plated	na	na	See SEBKR1V1 and SEBKR1V2 Kits
	11-D-4571-01	11-D-4571	1	Service Entrance Barrier used in various RP1/P2/P3 for FD/QJ/QR Mains	na	na	See SEBKR2V3, SEBKR2V4, SEBKR3V1 and SEBKR1V1 Kits
	11-D-1500-01	11-D-1500	2	Snap Rivet (Male) - Plastic - FASTEX #236-220603-00 Use with 11-D-1501-01.	na	na	Hardware item: check with customer support
	11-D-1501-01	11-D-1501	2	Snap Rivet (Female) - Plastic - FASTEX #236-220604-00 Use with 11-D-1500-01.	na	na	Hardware item: check with customer support
	11-1576-04	11-1576	1	Screw: 10-24 X 0.437" ISHWHSW Indented Slotted Hex Washer Head Screw	na	na	Hardware item: check with customer support
	15-A-1063-01	15-A-1063	1	Label: Service Entrance Barrier Kit Label	na	na	See most SEB... Kits
	11-A-1148-01	11-A-1148-01	1	Instruction Sheet for Revised P1 Service Entrance Barrier Kits, SEBKR1V1 and SEBKR1V2	See online Kit instruction sheets when needed		
SEBKR1V2	11-D-2730-01	11-D-2730-01	1	Service Entrance Barrier Kit, RP1, ED Horiz. Main	SEBKR1V2	1 kit	Service Entrance Barrier Kit, RP1, ED Horiz. Main
	11-D-3292-01	11-D-3292	1	Revised P1 Service Entrance Barrier Support, for ED, FD, QJ and QR Main kits, tin plated	na	na	See SEBKR1V1 and SEBKR1V2 Kits
	11-D-4570-01	11-D-4570	1	ED Main (RP1, P2 Horiz./Vert) Service Entrance Barrier	na	na	See SEBKR2V5, SEBKR2V6 and SEBKR1V2 Kit
	11-1576-04	11-1576	1	Screw: 10-24 X 0.437" ISHWHSW Indented Slotted Hex Washer Head Screw	na	na	Hardware item: check with customer support
	11-D-1500-01	11-D-1500	2	Snap Rivet (Male) - Plastic - FASTEX #236-220603-00 Use with 11-D-1501-01.	na	na	Hardware item: check with customer support
	11-D-1501-01	11-D-1501	2	"Snap Rivet (Female) - Plastic - FASTEX #236-220604-00 Use with 11-D-1500-01.	na	na	Hardware item: check with customer support
	15-A-1063-01	15-A-1063	1	Label: Service Entrance Barrier Kit Label	na	na	See most SEB... Kits
	11-A-1148-01	11-A-1148-01	1	Instruction Sheet for Revised P1 Service Entrance Barrier Kits, SEBKR1V1 and SEBKR1V2	See online Kit instruction sheets when needed		
SEBKR1V3	11-D-2731-01	11-D-2731-01	1	Service Entrance Barrier Kit, RP1, BL/BQD (back-fed) Horiz. Main in Branch Space	SEBKR1V3	1 kit	Service Entrance Barrier Kit, RP1, BL/BQD Horiz. Main
	11-D-3291-01	11-D-3291	1	Revised P1 Service Entrance Barrier Support, for BL/BQD and xGB Main kits, tin plated	na	na	See SEBKR1V3 and SEBKR1V4 Kits
	11-D-4568-01	11-D-4568	1	BL/BQD Service Entrance BARRIER RP1, P2	na	na	See SEBKR2V1 and SEBKR1V3 Kits
	11-1648-01	11-1648	2	Rivet: PLASTIC TREE RIVET	na	na	Hardware item: check with customer support
	11-1648-02	11-1648	1	Rivet: PLASTIC TREE RIVET	na	na	Hardware item: check with customer support
	11-1576-04	11-1576	2	Screw: 10-24 X 0.437" ISHWHSW Indented Slotted Hex Washer Head Screw	na	na	Hardware item: check with customer support

Addendum B: P1 Kits and related parts (original P1 and Revised P1 included)

Distributor Kit # ref.	Base Part/ Assembly Reference #	Drawing # Ref	Kit Qty.	Kit or Part Description with additional info	Distributor Kit #	Dist Pack Qty.	Distributor Pack Description or additional info
	15-A-1063-01	15-A-1063	1	Label: Service Entrance Barrier Kit Label	na	na	See most SEB... Kits
	11-A-1149-01	11-A-1149-01	1	Instruction Sheet for Revised P1 Service Entrance Barrier Kits, SEBKRP1V3 and SEBKRP1V4	See online Kit instruction sheets when needed		
SEBKRP1V4	11-D-2732-01	11-D-2732-01	1	Service Entrance Barrier Kit, RP1, xGB (back-fed) Horiz. Main in Branch Space	SEBKRP1V3	1 kit	Service Entrance Barrier Kit, RP1, BL/BQD Horiz. Main
	11-D-3291-01	11-D-3291	1	Revised P1 Service Entrance Barrier Support, for BL/BQD and xGB Main kits, tin plated	na	na	See SEBKRP1V3 and SEBKRP1V4 Kits
	11-D-4569-01	11-D-4569	1	xGB Service Entrance Barrier, RP1 and P2 Main	na	na	See SEBKRP2V2 and SEBKRP1V4 Kits
	11-1648-01	11-1648	2	Rivet: PLASTIC TREE RIVET	na	na	Hardware item: check with customer support
	11-1648-02	11-1648	1	Rivet: PLASTIC TREE RIVET	na	na	Hardware item: check with customer support
	11-1576-04	11-1576	2	Screw: 10-24 X 0.437" ISHWHSW Indented Slotted Hex Washer Head Screw	na	na	Hardware item: check with customer support
	15-A-1063-01	15-A-1063	1	Label: Service Entrance Barrier Kit Label	na	na	See most SEB... Kits
	11-A-1149-01	11-A-1149-01	1	Instruction Sheet for Revised P1 Service Entrance Barrier Kits, SEBKRP1V3 and SEBKRP1V4	See online Kit instruction sheets when needed		
SEBKRP1V5	11-D-2785-01	11-D-2785-01	1	Service Entrance Barrier Kit, RP1, BL/BQD/xGB Horiz. Main in Main Space	SEBKRP1V3	1 kit	Service Entrance Barrier Kit, RP1, BL/BQD Horiz. Main
	11-D-3308-01	11-D-3308	1	Revised P1 Service Entrance Barrier Support, for BL/BQD and xGB Main kits in Primary Main position, tin plated	na	na	See SEBKRP1V5 Kits
	11-D-4589-01	11-D-4589	1	Revised P1 Service Entrance Barrier, for BL/BQD and xGB Main kits in Primary Main position, tin plated	na	na	See SEBKRP1V5 Kits
	11-D-1500-01	11-D-1500	4	Snap Rivet (Male) - Plastic - FASTEX #236-220603-00 Use with 11-D-1501-01.	na	na	Hardware item: check with customer support
	11-D-1501-01	11-D-1501	4	"Snap Rivet (Female) - Plastic - FASTEX #236-220604-00 Use with 11-D-1500-01.	na	na	Hardware item: check with customer support
	11-1576-04	11-1576	1	Screw: 10-24 X 0.437" ISHWHSW Indented Slotted Hex Washer Head Screw	na	na	Hardware item: check with customer support
	15-A-1063-01	15-A-1063	1	Label: Service Entrance Barrier Kit Label	na	na	See most SEB... Kits
	11-A-1165-01	11-A-1165-01	1	Instruction Sheet for Revised P1 Service Entrance Barrier Kits, SEBKRP1V5	See online Kit instruction sheets when needed		
SEBKP1P2P3V1	11-D-2740-01	11-D-2740-01	1	Service Entrance Barrier Kit, (RP1, P1, P2, P3), JD/LD Vert Main	SEBKP1P2P3V1	1 kit	Service Entrance Barrier Kit, (RP1, P1, P2, P3), JD/LD Vert Main
	11-D-4572-01	11-D-4572	1	JD/LD Service Entrance Barrier for RP1/P2/P3 Vert Main	na	na	See SEBKP1P2P3V1 kit
	11-D-3299-01	11-D-3299	2	P3 JD Service Entrance Barrier support adapter	na	na	See SEBKP1P2P3V1 kit
	11-1576-04	11-1576	4	Screw: 10-24 X 0.437" ISHWHSW Indented Slotted Hex Washer Head Screw	na	na	Hardware item: check with customer support
	11-1648-01	11-1648	2	Rivet: PLASTIC TREE RIVET	na	na	Hardware item: check with customer support
	11-1512-03	11-1512	6	Screw: 8-32 X 3/8" IHWSHW, Indented Hex Washer-Head Screw	na	na	Hardware item: check with customer support
	15-A-1063-01	15-A-1063	1	Label: Service Entrance Barrier Kit Label	na	na	See most SEB... Kits
	11-A-1157-01	11-A-1157-01	1	Instruction sheet for JD/LD Service Entrance Barrier Kit (RP1, P1, P2, P3)	See online Kit instruction sheets when needed		

Addendum B: Original P1 Kits and related parts.

(Some kits and parts may not be available for sale, contact Customer Support.)

Distributor Kit # ref.	Base Part/ Assembly Reference #	Drawing # Ref	Kit Qty.	Kit or Part Description with additional info	Distributor Kit #	Dist Pack Qty.	Distributor Pack Description or additional info	
BK1	11-A-2071-01	11-A-2071-01	1	Bonding Kit for S1S2/P1/RP1 250A and P1/RP1 400A Panelboards. Includes Bonding screw and Service Disconnect Label	BK1	1 kit	Bonding Kit for S1S2/P1/RP1 250A and P1/RP1 400A Panelboards. Includes Bonding screw and Service Disconnect Label	
	11-A-1507-10	11-A-1507	1	Screw: 1/4-20 x 1.125" SHWH Slotted Hex Washer Head Tread-form Screw	na	na	Hardware item: check with customer support	
	11-1003-01	11-1003-01	6	Label: "Service Disconnect", for general use, 1.5"x.75"	na	na	Generally included in most bonding kits and with many Service Entrance Interiors, plus other applications.	
CNLK18	11-A-2072-01	11-A-2072-01	1	Original P1 Copper Neutral Lug Kit for 18 circuit interiors. Line and load lugs included with hardware.	CLNK18	1 kit	Original P1 Copper Neutral Lug Kit for 18 circuit interiors. Line and load lugs included with hardware.	
	11-A-1840-01	11-A-1840	2	Copper Neutral Lug strip used for left and right side of 18 Circuit Original P1 interior.	na	na	See CNLK18, 2NLK18 and 42NLK18 Kit	
	11-1553-08	11-1553	4	Screw: 1/4-20 X 7/8" ISHWHSW Indented Slotted Hex Washer Head Screw	na	na	Hardware item: check with customer support	
	11-A-1509-04	11-A-1509	4	Screw: 10-24 x0.438" Slotted Hex Washer Head Thread Form Screw	na	na	Hardware item: check with customer support	
	11-A-1848-01	11-A-1848	1	350 kcmil Lay-in Lug, Copper material, with steel binding screw, typically used for P1 neutral connections. (Original P1 and RP1)	na	na	See RP1 MLKC1A/MLKC3A and also Original P1 MLKC1/MLKC3 and CNLKxx/2NLKxx	
	11-A-4074-01	11-A-4074	1	Neutral Lug Pad, Copper, Original P1 and S1/S2 panels	na	na	See Original P1 MLKxxx, MBKxxx and CNLKxx/2NLKxx Kits	
	11-A-1505-02	11-A-1505	2	Screw: 10-32 x0.375" Slotted Hex Washer Head SEMS	na	na	Hardware item: check with customer support	
	12-A-1010-01	12-A-1010	1	Instructions for Original P1 Neutral kits, CNLKxx/2NLKxx	See online Kit instruction sheets when needed			
	CNLK30	11-A-2072-02	11-A-2072-02	1	Original P1 Copper Neutral Lug Kit for 30 circuit interiors. Line and load lugs included with hardware.	CLNK30	1 kit	Original P1 Copper Neutral Lug Kit for 30 circuit interiors. Line and load lugs included with hardware.
		11-A-1840-02	11-A-1840	2	Copper Neutral Lug strip used for left and right side of 30 Circuit Original P1 interior.	na	na	See CNLK30, 2NLK30 and 42NLK30 Kit
11-A-2069-02		11-A-2069-02	1	350kcmil Copper Neutral Lay-in Lug assembly includes lug, lug pad and hardware	na	na	See Original P1 MLKC1/MLKC3 and CNLKxx/2NLKxx	
11-1553-08		11-1553	4	Screw: 1/4-20 X 7/8" ISHWHSW Indented Slotted Hex Washer Head Screw	na	na	Hardware item: check with customer support	
11-A-1509-04		11-A-1509	4	Screw: 10-24 x0.438" Slotted Hex Washer Head Thread Form Screw	na	na	Hardware item: check with customer support	
11-A-1848-01		11-A-1848	1	350 kcmil Lay-in Lug, Copper material, with steel binding screw, typically used for P1 neutral connections. (Original P1 and RP1)	na	na	See RP1 MLKC1A/MLKC3A and also Original P1 MLKC1/MLKC3 and CNLKxx/2NLKxx	
11-A-4074-01		11-A-4074	1	Neutral Lug Pad, Copper, Original P1 and S1/S2 panels	na	na	See Original P1 MLKxxx, MBKxxx and CNLKxx/2NLKxx Kits	
11-A-1505-02		11-A-1505	2	Screw: 10-32 x0.375" Slotted Hex Washer Head SEMS	na	na	Hardware item: check with customer support	
12-A-1010-01		12-A-1010	1	Instructions for Original P1 Neutral kits, CNLKxx/2NLKxx	See online Kit instruction sheets when needed			
CNLK42		11-A-2072-03	11-A-2072-03	1	Original P1 Copper Neutral Lug Kit for 42 circuit interiors. Line and load lugs included with hardware.	CLNK42	1 kit	Original P1 Copper Neutral Lug Kit for 42 circuit interiors. Line and load lugs included with hardware.
	11-A-1840-03	11-A-1840	2	Copper Neutral Lug strip used for left and right side of 42 Circuit Original P1 interior.	na	na	See CNLK42, 2NLK42 and 42NLK42 Kit	

Addendum B: Original P1 Kits and related parts.

(Some kits and parts may not be available for sale, contact Customer Support.)

Distributor Kit # ref.	Base Part/ Assembly Reference #	Drawing # Ref	Kit Qty.	Kit or Part Description with additional info	Distributor Kit #	Dist Pack Qty.	Distributor Pack Description or additional info
	11-A-2069-02	11-A-2069-02	1	350kcmil Copper Neutral Lay-in Lug assembly includes lug, lug pad and hardware	na	na	See Original P1 MLKC1/MLKC3 and CNLKxx/2NLKxx
	11-1553-08	11-1553	4	Screw: 1/4-20 X 7/8" ISHWHSW Indented Slotted Hex Washer Head Screw	na	na	Hardware item: check with customer support
	11-A-1509-04	11-A-1509	4	Screw: 10-24 x0.438" Slotted Hex Washer Head Thread Form Screw	na	na	Hardware item: check with customer support
	11-A-1848-01	11-A-1848	1	350 kcmil Lay-in Lug, Copper material, with steel binding screw, typically used for P1 neutral connections. (Original P1 and RP1)	na	na	See RP1 MLKC1A/MLKC3A and also Original P1 MLKC1/MLKC3 and CNLKxx/2NLKxx
	11-A-4074-01	11-A-4074	1	Neutral Lug Pad, Copper, Original P1 and S1/S2 panels	na	na	See Original P1 MLKxxx, MBKxxx and CNLKxx/2NLKxx Kits
	11-A-1505-02	11-A-1505	2	Screw: 10-32 x0.375" Slotted Hex Washer Head SEMS	na	na	Hardware item: check with customer support
	12-A-1010-01	12-A-1010	1	Instructions for Original P1 Neutral kits, CNLKxx/2NLKxx	See online Kit instruction sheets when needed		
2NLK18	11-A-2073-01	11-A-2073-01	1	Original P1 200% Neutral Lug Kit for 18 circuit interiors. Line and load lugs included with hardware.	2LNK18	1 kit	Original P1 200% Neutral Lug Kit for 18 circuit interiors. Line and load lugs included with hardware.
	11-A-1840-01	11-A-1840	2	Copper Neutral Lug strip used for left and right side of 18 Circuit Original P1 interior.	na	na	See CNLK18, 2NLK18 and 42NLK18 Kit
	11-A-2069-02	11-A-2069-02	2	350kcmil Copper Neutral Lay-in Lug assembly includes lug, lug pad and hardware	na	na	See Original P1 MLKC1/MLKC3 and CNLKxx/2NLKxx
	11-1553-08	11-1553	4	Screw: 1/4-20 X 7/8" ISHWHSW Indented Slotted Hex Washer Head Screw	na	na	Hardware item: check with customer support
	11-A-1509-04	11-A-1509	6	Screw: 10-24 x0.438" Slotted Hex Washer Head Thread Form Screw	na	na	Hardware item: check with customer support
	11-A-1011-01	11-A-1011	1	Label: 200% Neutral Label used in most Original P1 and RP1 200% neutral kits and others where appropriate.	na	na	See x2NLKxx Kits
	11-A-1848-01	11-A-1848	1	350 kcmil Lay-in Lug, Copper material, with steel binding screw, typically used for P1 neutral connections. (Original P1 and RP1)	na	na	See RP1 MLKC1A/MLKC3A and also Original P1 MLKC1/MLKC3 and CNLKxx/2NLKxx
	11-A-4074-01	11-A-4074	1	Neutral Lug Pad, Copper, Original P1 and S1/S2 panels	na	na	See Original P1 MLKxxx, MBKxxx and CNLKxx/2NLKxx Kits
	11-A-1505-02	11-A-1505	2	Screw: 10-32 x0.375" Slotted Hex Washer Head SEMS	na	na	Hardware item: check with customer support
	12-A-1010-01	12-A-1010	1	Instructions for Original P1 Neutral kits, CNLKxx/2NLKxx	See online Kit instruction sheets when needed		
2NLK30	11-A-2073-02	11-A-2073-02	1	Original P1 200% Neutral Lug Kit for 30 circuit interiors. Line and load lugs included with hardware.	2LNK30	1 kit	Original P1 200% Neutral Lug Kit for 30 circuit interiors. Line and load lugs included with hardware.
	11-A-1840-02	11-A-1840	2	Copper Neutral Lug strip used for left and right side of 30 Circuit Original P1 interior.	na	na	See CNLK30, 2NLK30 and 42NLK30 Kit
	11-A-2069-02	11-A-2069-02	2	350kcmil Copper Neutral Lay-in Lug assembly includes lug, lug pad and hardware	na	na	See Original P1 MLKC1/MLKC3 and CNLKxx/2NLKxx
	11-1553-08	11-1553	4	Screw: 1/4-20 X 7/8" ISHWHSW Indented Slotted Hex Washer Head Screw	na	na	Hardware item: check with customer support
	11-A-1509-04	11-A-1509	6	Screw: 10-24 x0.438" Slotted Hex Washer Head Thread Form Screw	na	na	Hardware item: check with customer support
	11-A-1011-01	11-A-1011	1	Label: 200% Neutral Label used in most Original P1 and RP1 200% neutral kits and others where appropriate.	na	na	See x2NLKxx Kits

Addendum B: Original P1 Kits and related parts.

(Some kits and parts may not be available for sale, contact Customer Support.)

Distributor Kit # ref.	Base Part/ Assembly Reference #	Drawing # Ref	Kit Qty.	Kit or Part Description with additional info	Distributor Kit #	Dist Pack Qty.	Distributor Pack Description or additional info
	11-A-1848-01	11-A-1848	1	350 kcmil Lay-in Lug, Copper material, with steel binding screw, typically used for P1 neutral connections. (Original P1 and RP1)	na	na	See RP1 MLKC1A/MLKC3A and also Original P1 MLKC1/MLKC3 and CNLKxx/2NLKxx
	11-A-4074-01	11-A-4074	1	Neutral Lug Pad, Copper, Original P1 and S1/S2 panels	na	na	See Original P1 MLKxxx, MBKxxx and CNLKxx/2NLKxx Kits
	11-A-1505-02	11-A-1505	2	Screw: 10-32 x0.375" Slotted Hex Washer Head SEMS	na	na	Hardware item: check with customer support
	12-A-1010-01	12-A-1010	1	Instructions for Original P1 Neutral kits, CNLKxx/2NLKxx	See online Kit instruction sheets when needed		
2NLK42	11-A-2073-03	11-A-2073-03	1	Original P1 200% Neutral Lug Kit for 42 circuit interiors. Line and load lugs included with hardware.	2LNK42	1 kit	Original P1 200% Neutral Lug Kit for 42 circuit interiors. Line and load lugs included with hardware.
	11-A-1840-03	11-A-1840	2	Copper Neutral Lug strip used for left and right side of 42 Circuit Original P1 interior.	na	na	See CNLK42, 2NLK42 and 42NLK42 Kit
	11-A-2069-02	11-A-2069-02	2	350kcmil Copper Neutral Lay-in Lug assembly includes lug, lug pad and hardware	na	na	See Original P1 MLKC1/MLKC3 and CNLKxx/2NLKxx
	11-1553-08	11-1553	4	Screw: 1/4-20 X 7/8" ISHWHSW Indented Slotted Hex Washer Head Screw	na	na	Hardware item: check with customer support
	11-A-1509-04	11-A-1509	6	Screw: 10-24 x0.438" Slotted Hex Washer Head Thread Form Screw	na	na	Hardware item: check with customer support
	11-A-1011-01	11-A-1011	1	Label: 200% Neutral Label used in most Original P1 and RP1 200% neutral kits and others where appropriate.	na	na	See x2NLKxx Kits
	11-A-1848-01	11-A-1848	1	350 kcmil Lay-in Lug, Copper material, with steel binding screw, typically used for P1 neutral connections. (Original P1 and RP1)	na	na	See RP1 MLKC1A/MLKC3A and also Original P1 MLKC1/MLKC3 and CNLKxx/2NLKxx
	11-A-4074-01	11-A-4074	1	Neutral Lug Pad, Copper, Original P1 and S1/S2 panels	na	na	See Original P1 MLKxxx, MBKxxx and CNLKxx/2NLKxx Kits
	11-A-1505-02	11-A-1505	2	Screw: 10-32 x0.375" Slotted Hex Washer Head SEMS	na	na	Hardware item: check with customer support
	12-A-1010-01	12-A-1010	1	Instructions for Original P1 Neutral kits, CNLKxx/2NLKxx	See online Kit instruction sheets when needed		
42NLK18	11-D-2029-01	11-D-2029-01	1	400A Original P1 200% Neutral Lug Kit for 18 circuit interiors. Line and load lugs included with hardware.	42LNK18	1 kit	400A Original P1 200% Neutral Lug Kit for 18 circuit interiors. Line and load lugs included with hardware.
	11-A-1840-01	11-A-1840	2	Copper Neutral Lug strip used for left and right side of 18 Circuit Original P1 interior.	na	na	See CNLK18, 2NLK18 and 42NLK18 Kit
	11-1553-08	11-1553	4	Screw: 1/4-20 X 7/8" ISHWHSW Indented Slotted Hex Washer Head Screw	na	na	Hardware item: check with customer support
	11-A-1856-01	11-A-1856	1	600kcmil Lay-in Lug, Aluminum, #1/0-600kcmil AL/CU cable, used in S1/P1/RP1 400A neutral and 200% neutral positions, as well as many other P2/P3 Phase and neutral positions.	na	na	See MBKJD1/MBKJD3 Kits and 400A Neutral lug kits
	11-1553-06	11-1553	2	Screw: 1/4-20 X 5/8" ISHWHSW Indented Slotted Hex Washer Head Screw	na	na	Hardware item: check with customer support
	11-A-1011-01	11-A-1011	1	Label: 200% Neutral Label used in most Original P1 and RP1 200% neutral kits and others where appropriate.	na	na	See x2NLKxx Kits
	11-D-2015-01	11-D-2015-01	1	Original P1 400A Lug Assembly, Service Ground, 300kcmil	na	na	See 42NLKxx Kits
	11-D-3533-01	11-D-3533	1	Original P1 Lug Pad, Copper material, various neutral locations	na	na	See 42NLKxx Kits
	11-1868-01	11-1868	1	300kcmil max. Aluminum Connector collar with binding screw, used in both Original and RP1 applications	na	na	See 42NLKxx Kits and 42NLKxxA

Addendum B: Original P1 Kits and related parts.

(Some kits and parts may not be available for sale, contact Customer Support.)

Distributor Kit # ref.	Base Part/ Assembly Reference #	Drawing # Ref	Kit Qty.	Kit or Part Description with additional info	Distributor Kit #	Dist Pack Qty.	Distributor Pack Description or additional info
	11-1615-03	11-1615	2	Washer: Type A Plain 1/4" Wide, Narrow , .281"x.625"x.065"	na	na	Hardware item: check with customer support
	11-1618-03	11-1618	2	Washer: 1/4" Helical Spring Lock washer, .255"x.489"x.062"	na	na	Hardware item: check with customer support
	11-1546-02	11-1546	2	Screw: 1/4-20 X 1/2" HHMS Hex Head Machine Screw	na	na	Hardware item: check with customer support
	12-A-1074-01	12-A-1074-01	1	Instruction sheet for Original P1 400A 200% Neutral Kits	See online Kit instruction sheets when needed		
42NLK30	11-D-2029-02	11-D-2029-02	1	400A Original P1 200% Neutral Lug Kit for 30 circuit interiors. Line and load lugs included with hardware.	42LNK30	1 kit	400A Original P1 200% Neutral Lug Kit for 30 circuit interiors. Line and load lugs included with hardware.
	11-A-1840-02	11-A-1840	2	Copper Neutral Lug strip used for left and right side of 30 Circuit Original P1 interior.	na	na	See CNLK30, 2NLK30 and 42NLK30 Kit
	11-1553-08	11-1553	4	Screw: 1/4-20 X 7/8" ISHWHSW Indented Slotted Hex Washer Head Screw	na	na	Hardware item: check with customer support
	11-A-1856-01	11-A-1856	1	600kcmil Lay-in Lug, Aluminum, #1/0-600kcmil AL/CU cable, used in S1/P1/RP1 400A neutral and 200% neutral positions, as well as many other P2/P3 Phase and neutral positions.	na	na	See MBKJD1/MBKJD3 Kits and 400A Neutral lug kits
	11-1553-06	11-1553	2	Screw: 1/4-20 X 5/8" ISHWHSW Indented Slotted Hex Washer Head Screw	na	na	Hardware item: check with customer support
	11-A-1011-01	11-A-1011	1	Label: 200% Neutral Label used in most Original P1 and RP1 200% neutral kits and others where appropriate.	na	na	See x2NLKxx Kits
	11-D-2015-01	11-D-2015-01	1	Original P1 400A Lug Assembly, Service Ground, 300kcmil	na	na	See 42NLKxx Kits
	11-D-3533-01	11-D-3533	1	Original P1 Lug Pad, Copper material, various neutral locations	na	na	See 42NLKxx Kits
	11-1618-03	11-1618	2	Washer: 1/4" Helical Spring Lock washer, .255"x.489"x.062"	na	na	Hardware item: check with customer support
	11-1546-02	11-1546	2	Screw: 1/4-20 X 1/2" HHMS Hex Head Machine Screw	na	na	Hardware item: check with customer support
	12-A-1074-01	12-A-1074-01	1	Instruction sheet for Original P1 400A 200% Neutral Kits	See online Kit instruction sheets when needed		
42NLK42	11-D-2029-03	11-D-2029-03	1	400A Original P1 200% Neutral Lug Kit for 42 circuit interiors. Line and load lugs included with hardware.	42LNK42	1 kit	400A Original P1 200% Neutral Lug Kit for 42 circuit interiors. Line and load lugs included with hardware.
	11-A-1840-03	11-A-1840	2	Copper Neutral Lug strip used for left and right side of 42 Circuit Original P1 interior.	na	na	See CNLK42, 2NLK42 and 42NLK42 Kit
	11-1553-08	11-1553	4	Screw: 1/4-20 X 7/8" ISHWHSW Indented Slotted Hex Washer Head Screw	na	na	Hardware item: check with customer support
	11-A-1856-01	11-A-1856	1	600kcmil Lay-in Lug, Aluminum, #1/0-600kcmil AL/CU cable, used in S1/P1/RP1 400A neutral and 200% neutral positions, as well as many other P2/P3 Phase and neutral positions.	na	na	See MBKJD1/MBKJD3 Kits and 400A Neutral lug kits
	11-1553-06	11-1553	2	Screw: 1/4-20 X 5/8" ISHWHSW Indented Slotted Hex Washer Head Screw	na	na	Hardware item: check with customer support
	11-A-1011-01	11-A-1011	1	Label: 200% Neutral Label used in most Original P1 and RP1 200% neutral kits and others where appropriate.	na	na	See x2NLKxx Kits
	11-D-2015-01	11-D-2015-01	1	Original P1 400A Lug Assembly, Service Ground, 300kcmil	na	na	See 42NLKxx Kits
	11-D-3533-01	11-D-3533	1	Original P1 Lug Pad, Copper material, various neutral locations	na	na	See 42NLKxx Kits
	11-1868-01	11-1868	1	300kcmil max. Aluminum Connector collar with binding screw, used in both Original and RP1 applications	na	na	See 42NLKxx Kits and 42NLKxxA
	11-1615-03	11-1615	2	Washer: Type A Plain 1/4" Wide, Narrow , .281"x.625"x.065"	na	na	Hardware item: check with customer support

Addendum B: Original P1 Kits and related parts.

(Some kits and parts may not be available for sale, contact Customer Support.)

Distributor Kit # ref.	Base Part/ Assembly Reference #	Drawing # Ref	Kit Qty.	Kit or Part Description with additional info	Distributor Kit #	Dist Pack Qty.	Distributor Pack Description or additional info
	11-1618-03	11-1618	2	Washer: 1/4" Helical Spring Lock washer, .255"x.489"x.062"	na	na	Hardware item: check with customer support
	11-1546-02	11-1546	2	Screw: 1/4-20 X 1/2" HHMS Hex Head Machine Screw	na	na	Hardware item: check with customer support
	12-A-1074-01	12-A-1074-01	1	Instruction sheet for Original P1 400A 200% Neutral Kits	See online Kit instruction sheets when needed		
MLKA1	12-A-2105-01	12-A-2105-01	1 kit	Original P1/S1/S2 250A 1-phase Main or Feed-thru Lug Kit, AL connectors for #6-350kcmil AL or CU cable.	MLKA1	1 kit	Original P1/S1/S2 250A 1-phase Main or Feed-thru Lug Kit, AL connectors for #6-350kcmil AL or CU cable.
	11-A-2070-01	11-A-2070-01	2	350kcmil Aluminum Lug Assembly, 250A max., #6-350kcmil, CU or AL cable, 0.265" dia. mounting hole. With 1/4-20 x .875" Steel Ribbed-neck Bolt inserted.	na	na	Used for many 250A max., P1 and RP1 Main Lug and Neutral Lug applications. (#11-A-1888-01 Lug and # 11-A-1645-01 stud)
	11-1625-01	11-1625	2	Nut: Belleville Washer Nut, 1/4-20	na	na	Hardware item: check with customer support
	11-A-1509-04	11-A-1509	2	Screw: 10-24 x0.438" Slotted Hex Washer Head Thread Form Screw	na	na	Hardware item: check with customer support
	11-A-1847-01	11-A-1847	1	350 KCMIL Lay in lug used for original P1 Neutral and other locations including some P2 neutral locations. NOT used for RP1 main lugs (see 11-A-2070-01).	na	na	See MBKQR1/MBKQR3 and other Original P1 MLK kits and MBK kits.
	11-A-4074-01	11-A-4074	1	Neutral Lug Pad, Copper, Original P1 and S1/S2 panels	na	na	See Original P1 MLKxxx, MBKxxx and CNLKxx/2NLKxx Kits
	11-A-1505-02	11-A-1505	2	Screw: 10-32 x0.375" Slotted Hex Washer Head SEMS	na	na	Hardware item: check with customer support
	11-D-4560-01	11-D-4560-01	1	P1 (original and revised) Blank filler plate, 250A Main/Subfeed opening, also used in many other applications. (Installs Vertical for 400A Main)	DFFP01A	1 kit	P1 Main Blank Filler Plate - 1 Piece (use for Original or Revised P1 - also replaces 12-A-1801-01) (Vertical for 400A Main)
	11-1058-01	11-1058-01	1	Label: "Main Lug 125 Amps", 1.0" x 2.0"	na	na	General use label used for most applications that need 125A Main Lug label.
	11-1059-01	11-1059-01	1	Label: "Main Lug 250 Amps", 1.0" x 2.0"	na	na	General use label used for most applications that need 250A Main Lug label.
	12-A-1029-01	12-A-1029	1	MLKA1 and MLKA3 Instructions for 250A Original P1/S1/S2 Main or Feed-Thru Lug Kits.	See online Kit instruction sheets when needed		
MLKA3	12-A-2105-02	12-A-2105-02	1 kit	Original P1/S1/S2 250A 3-phase Main or Feed-thru Lug Kit, AL connectors for #6-350kcmil AL or CU cable.	MLKA3	1 kit	Original P1/S1/S2 250A 3-phase Main or Feed-thru Lug Kit, AL connectors for #6-350kcmil AL or CU cable.
	11-A-2070-01	11-A-2070-01	3	350kcmil Aluminum Lug Assembly, 250A max., #6-350kcmil, CU or AL cable, 0.265" dia. mounting hole. With 1/4-20 x .875" Steel Ribbed-neck Bolt inserted.	na	na	Used for many 250A max., P1 and RP1 Main Lug and Neutral Lug applications. (#11-A-1888-01 Lug and # 11-A-1645-01 stud)
	11-1625-01	11-1625	3	Nut: Belleville Washer Nut, 1/4-20	na	na	Hardware item: check with customer support
	11-A-1509-04	11-A-1509	2	Screw: 10-24 x0.438" Slotted Hex Washer Head Thread Form Screw	na	na	Hardware item: check with customer support

Addendum B: Original P1 Kits and related parts.

(Some kits and parts may not be available for sale, contact Customer Support.)

Distributor Kit # ref.	Base Part/ Assembly Reference #	Drawing # Ref	Kit Qty.	Kit or Part Description with additional info	Distributor Kit #	Dist Pack Qty.	Distributor Pack Description or additional info
	11-A-1847-01	11-A-1847	1	350 KCML Lay in lug used for original P1 Neutral and other locations including some P2 neutral locations. NOT used for RP1 main lugs (see 11-A-2070-01).	na	na	See MBKQR1/MBKQR3 and other Original P1 MLK kits and MBK kits.
	11-A-4074-01	11-A-4074	1	Neutral Lug Pad, Copper, Original P1 and S1/S2 panels	na	na	See Original P1 MLKxxx, MBKxxx and CNLKxx/2NLKxx Kits
	11-A-1505-02	11-A-1505	2	Screw: 10-32 x0.375" Slotted Hex Washer Head SEMS	na	na	Hardware item: check with customer support
	11-D-4560-01	11-D-4560-01	1	P1 (original and revised) Blank filler plate, 250A Main/Subfeed opening, also used in many other applications. (Installs Vertical for 400A Main)	DFFP01A	1 kit	P1 Main Blank Filler Plate - 1 Piece (use for Original or Revised P1 - also replaces 12-A-1801-01) (Vertical for 400A Main)
	11-1058-01	11-1058-01	1	Label: "Main Lug 125 Amps", 1.0" x 2.0"	na	na	General use label used for most applications that need 125A Main Lug label.
	11-1059-01	11-1059-01	1	Label: "Main Lug 250 Amps", 1.0" x 2.0"	na	na	General use label used for most applications that need 250A Main Lug label.
	12-A-1029-01	12-A-1029	1	MLKA1 and MLKA3 Instructions for 250A Original P1/S1/S2 Main or Feed-Thru Lug Kits.	See online Kit instruction sheets when needed		
MLKC1	12-A-2105-03	12-A-2105-03	1 kit	Original P1/S1/S2 250A 1-phase Main or Feed-thru Lug Kit, CU connectors for #6-350kcmil CU only cable.	MLKC1	1 kit	Revised P1 250A Copper 1-phase Main or Feed-thru Lug Kit, CU connectors for #6-350kcmil CU only cable.
	11-A-1848-01	11-A-1848	4	350 kcmil Lay-in Lug, Copper material, with steel binding screw, typically used for P1 neutral connections. (Original P1 and RP1)	na	na	See RP1 MLKC1A/MLKC3A and also Original P1 MLKC1/MLKC3 and CNLKxx/2NLKxx
	11-A-4075-01	11-A-4075	3	Lug Pad, 250A max., Copper, tin plated, 0.125" thick. Used for various S1/S2/P1 applications. (size approx. 1.0"W x1.94"L)	na	na	Lug Pad, 250A max., Copper, tin plated, 0.125" thick. Used for various S1/S2/P1 applications. (size approx. 1.0"W x1.94"L)
	11-A-4074-01	11-A-4074	1	Neutral Lug Pad, Copper, Original P1 and S1/S2 panels	na	na	See Original P1 MLKxxx, MBKxxx and CNLKxx/2NLKxx Kits
	11-A-1505-02	11-A-1505	8	Screw: 10-32 x0.375" Slotted Hex Washer Head SEMS	na	na	Hardware item: check with customer support
	11-A-1509-04	11-A-1509	4	Screw: 10-24 x0.438" Slotted Hex Washer Head Thread Form Screw	na	na	Hardware item: check with customer support
	11-A-1508-04	11-A-1508	3	Screw: 1/4-20 x0.50" Slotted Hex Washer Head SIMS	na	na	Hardware item: check with customer support
	11-D-4560-01	11-D-4560-01	1	P1 (original and revised) Blank filler plate, 250A Main/Subfeed opening, also used in many other applications. (Installs Vertical for 400A Main)	DFFP01A	1 kit	P1 Main Blank Filler Plate - 1 Piece (use for Original or Revised P1 - also replaces 12-A-1801-01) (Vertical for 400A Main)
	11-1058-01	11-1058-01	1	Label: "Main Lug 125 Amps", 1.0" x 2.0"	na	na	General use label used for most applications that need 125A Main Lug label.
	11-1059-01	11-1059-01	1	Label: "Main Lug 250 Amps", 1.0" x 2.0"	na	na	General use label used for most applications that need 250A Main Lug label.
	12-A-1007-01	12-A-1007	1	MLKC1 and MLKC3 Instructions for 250A Original P1/S1/S2 Main or Feed-Thru Copper Lug Kits.	See online Kit instruction sheets when needed		

Addendum B: Original P1 Kits and related parts.

(Some kits and parts may not be available for sale, contact Customer Support.)

Distributor Kit # ref.	Base Part/ Assembly Reference #	Drawing # Ref	Kit Qty.	Kit or Part Description with additional info	Distributor Kit #	Dist Pack Qty.	Distributor Pack Description or additional info
MLKC3	12-A-2105-04	12-A-2105-04	1 kit	Original P1/S1/S2 250A 3-phase Main or Feed-thru Lug Kit, CU connectors for #6-350kcmil CU only cable.	MLKC3	1 kit	Revised P1 250A Copper 3-phase Main or Feed-thru Lug Kit, CU connectors for #6-350kcmil CU only cable.
	11-A-1848-01	11-A-1848	4	350 kcmil Lay-in Lug, Copper material, with steel binding screw, typically used for P1 neutral connections. (Original P1 and RP1)	na	na	See RP1 MLKC1A/MLKC3A and also Original P1 MLKC1/MLKC3 and CNLKxx/2NLKxx
	11-A-4075-01	11-A-4075	3	Lug Pad, 250A max., Copper, tin plated, 0.125" thick. Used for various S1/S2/P1 applications. (size approx. 1.0"W x1.94"L)	na	na	Lug Pad, 250A max., Copper, tin plated, 0.125" thick. Used for various S1/S2/P1 applications. (size approx. 1.0"W x1.94"L)
	11-A-4074-01	11-A-4074	1	Neutral Lug Pad, Copper, Original P1 and S1/S2 panels	na	na	See Original P1 MLKxxx, MBKxxx and CNLKxx/2NLKxx Kits
	11-A-1505-02	11-A-1505	8	Screw: 10-32 x0.375" Slotted Hex Washer Head SEMS	na	na	Hardware item: check with customer support
	11-A-1509-04	11-A-1509	4	Screw: 10-24 x0.438" Slotted Hex Washer Head Thread Form Screw	na	na	Hardware item: check with customer support
	11-A-1508-04	11-A-1508	3	Screw: 1/4-20 x0.50" Slotted Hex Washer Head SIMS	na	na	Hardware item: check with customer support
	11-D-4560-01	11-D-4560-01	1	P1 (original and revised) Blank filler plate, 250A Main/Subfeed opening, also used in many other applications. (Installs Vertical for 400A Main)	DFFP01A	1 kit	P1 Main Blank Filler Plate - 1 Piece (use for Original or Revised P1 - also replaces 12-A-1801-01) (Vertical for 400A Main)
	11-1058-01	11-1058-01	1	Label: "Main Lug 125 Amps", 1.0" x 2.0"	na	na	General use label used for most applications that need 125A Main Lug label.
	12-A-1007-01	12-A-1007	1	MLKC1 and MLKC3 Instructions for 250A Original P1/S1/S2 Main or Feed-Thru Copper Lug Kits.	See online Kit instruction sheets when needed		
4MLKA1	11-D-2026-01	11-D-2026-01	1 kit	Original P1 400A 1-phase Main or Feed-thru Lug Kit, AL connectors for two 1/0-250kcmil or one #2-600kcmil AL or CU cable. Also includes Neutral Lug, labels, blank filler and all hardware required.	4MLKA1	1 kit	Original P1 400A 1-phase Main or Feed-thru Lug Kit, AL connectors for two 1/0-250kcmil or one #2-600kcmil AL or CU cable. Also includes Neutral Lug, labels, blank filler and all hardware required.
	11-A-1857-01	11-A-1857	2	Dual port 600kcmil/250kcmil Lug, Aluminum, For one cable #2-600kcmil or two cables #6-250kcmil, AL or CU cable, used in Original P1 400A main Lug primarily. Approx. size 3.156"L x1.938"W x 1.75"H. Includes flange with two 0.344" dia. mounting holes. (ref ILSCO # D3690)	na	na	na
	11-A-1520-10	11-A-1520	4	Screw: 5/16-18 X 1.125" IHWHWSW, Indented Hex Washer-Head Screw, Thread Forming SEMS with captive Belleville washer.	na	na	Hardware item: check with customer support
	11-A-1856-01	11-A-1856	1	600kcmil Lay-in Lug, Aluminum, #1/0-600kcmil AL/CU cable, used in S1/P1/RP1 400A neutral and 200% neutral positions, as well as many other P2/P3 Phase and neutral positions.	na	na	See MBKJD1/MBKJD3 Kits and 400A Neutral lug kits
	11-1553-06	11-1553	2	Screw: 1/4-20 X 5/8" ISHWHWSW Indented Slotted Hex Washer Head Screw	na	na	Hardware item: check with customer support

Addendum B: Original P1 Kits and related parts.

(Some kits and parts may not be available for sale, contact Customer Support.)

Distributor Kit # ref.	Base Part/ Assembly Reference #	Drawing # Ref	Kit Qty.	Kit or Part Description with additional info	Distributor Kit #	Dist Pack Qty.	Distributor Pack Description or additional info
	11-A-1803-01	11-A-1803	1	300kcmil-#6 Connector/Lug, AL/CU cable, used in S1/P1 400A neutral positions, as well as many other P2/P3 Phase and neutral positions.	na	na	See 4MLKAx and MBKJdx Kits and others
	11-1615-04	11-1615	1	Washer: Type A Plain 1/4" Wide, .312"x.734"x.065"	na	na	Hardware item: check with customer support
	11-1553-08	11-1553	1	Screw: 1/4-20 X 7/8" ISHWHSW Indented Slotted Hex Washer Head Screw	na	na	Hardware item: check with customer support
	11-D-4560-01	11-D-4560-01	1	P1 (original and revised) Blank filler plate, 250A Main/Subfeed opening, also used in many other applications. (Installs Vertical for 400A Main)	DFFP01A	1 kit	P1 Main Blank Filler Plate - 1 Piece (use for Original or Revised P1 - also replaces 12-A-1801-01) (Vertical for 400A Main)
	11-1615-04	11-1615	1	Washer: Type A Plain 1/4" Wide, .312"x.734"x.065"	na	na	Hardware item: check with customer support
	11-1553-08	11-1553	1	Screw: 1/4-20 X 7/8" ISHWHSW Indented Slotted Hex Washer Head Screw	na	na	Hardware item: check with customer support
	11-D-4560-01	11-D-4560-01	1	P1 (original and revised) Blank filler plate, 250A Main/Subfeed opening, also used in many other applications. (Installs Vertical for 400A Main)	DFFP01A	1 kit	P1 Main Blank Filler Plate - 1 Piece (use for Original or Revised P1 - also replaces 12-A-1801-01) (Vertical for 400A Main)
	11-A-1054-01	11-A-1054	1	Label: "Main Lug 400 Amps", 1.0" x 2.0"	na	na	General use label used for most applications that need 400A Main Lug label.
	12-A-1072-01	12-A-1072-01	1	4MLKA1 Instructions for 400A Original P1 Main or Feed-Thru Lug Kits. Not for use with S1/S2/SE panels.	See online Kit instruction sheets when needed		
4MLKA3	11-D-2025-01	11-D-2025-01	1 kit	Original P1 400A 3-phase Main or Feed-thru Lug Kit, AL connectors for two 1/0-250kcmil or one #2-600kcmil AL or CU cable. Also includes Neutral Lug, labels, blank filler and all hardware required.	4MLKA3	1 kit	Original P1 400A 3-phase Main or Feed-thru Lug Kit, AL connectors for two 1/0-250kcmil or one #2-600kcmil AL or CU cable. Also includes Neutral Lug, labels, blank filler and all hardware required.
	11-A-1857-01	11-A-1857	3	Dual port 600kcmil/250kcmil Lug, Aluminum, For one cable #2-600kcmil or two cables #6-250kcmil, AL or CU cable, used in Original P1 400A main Lug primarily. Approx. size 3.156"L x 1.938"W x 1.75"H. Includes flange with two 0.344" dia. mounting holes. (ref ILSCO # D3690)	na	na	na
	11-A-1520-10	11-A-1520	6	Screw: 5/16-18 X 1.125" IHWHWSW, Indented Hex Washer-Head Screw, Thread Forming SEMS with captive Belleville washer.	na	na	Hardware item: check with customer support
	11-A-1856-01	11-A-1856	1	600kcmil Lay-in Lug, Aluminum, #1/0-600kcmil AL/CU cable, used in S1/P1/RP1 400A neutral and 200% neutral positions, as well as many other P2/P3 Phase and neutral positions.	na	na	See MBKJD1/MBKJD3 Kits and 400A Neutral lug kits
	11-1553-06	11-1553	2	Screw: 1/4-20 X 5/8" ISHWHSW Indented Slotted Hex Washer Head Screw	na	na	Hardware item: check with customer support
	11-A-1803-01	11-A-1803	1	300kcmil-#6 Connector/Lug, AL/CU cable, used in S1/P1 400A neutral positions, as well as many other P2/P3 Phase and neutral positions.	na	na	See 4MLKAx and MBKJdx Kits and others

Addendum B: Original P1 Kits and related parts.

(Some kits and parts may not be available for sale, contact Customer Support.)

Distributor Kit # ref.	Base Part/ Assembly Reference #	Drawing # Ref	Kit Qty.	Kit or Part Description with additional info	Distributor Kit #	Dist Pack Qty.	Distributor Pack Description or additional info
	11-1615-04	11-1615	1	Washer: Type A Plain 1/4" Wide, .312"x.734"x.065"	na	na	Hardware item: check with customer support
	11-1553-08	11-1553	1	Screw: 1/4-20 X 7/8" ISHWHSW Indented Slotted Hex Washer Head Screw	na	na	Hardware item: check with customer support
	11-D-4560-01	11-D-4560-01	1	P1 (original and revised) Blank filler plate, 250A Main/Subfeed opening, also used in many other applications. (Installs Vertical for 400A Main)	DFFP01A	1 kit	P1 Main Blank Filler Plate - 1 Piece (use for Original or Revised P1 - also replaces 12-A-1801-01) (Vertical for 400A Main)
	11-A-1054-01	11-A-1054	1	Label: "Main Lug 400 Amps", 1.0" x 2.0"	na	na	General use label used for most applications that need 400A Main Lug label.
	12-A-1071-01	12-A-1071-01	1	4MLKA3 Instructions for 400A Original P1 Main or Feed-Thru Lug Kits. Not for use with S1/S2/SE panels.	See online Kit instruction sheets when needed		
4MLKC1	11-D-2036-01	11-D-2036-01	1 kit	Original P1 400A Copper 1-phase Main or Feed-thru Lug Kit, CU connectors for two 1/0-250kcmil or one #2-600kcmil CU only cable. Also includes Neutral Lug, labels, blank filler and all hardware required.	4MLKC1	1 kit	Original P1 400A Copper 1-phase Main or Feed-thru Lug Kit, CU connectors for two 1/0-250kcmil or one #2-600kcmil CU only cable. Also includes Neutral Lug, labels, blank filler and all hardware required.
	11-A-1858-01	11-A-1858	2	Single port 600kcmil Lug, Copper, For one CU cable #2-600kcmil, used in RP1 400A main Lug primarily. Approx. size 2.563"L x1.375"W x 1.380"H. Includes flange with one 0.325" dia. mounting hole and anti-rotate features.	na	na	na
	11-A-1520-10	11-A-1520	6	Screw: 5/16-18 X 1.125" IHWSHW, Indented Hex Washer-Head Screw, Thread Forming SEMS with captive Belleville washer.	na	na	Hardware item: check with customer support
	11-1626-01	11-1626	2	Nut: 5/16-18 Bellville Washer Nut	na	na	Hardware item: check with customer support
	11-D-3531-01	11-D-3531	2	Lug Pad, 400A max., Copper, tin plated, 0.25" thick. Used for 400A Original P1 and Revised P1 applications. (size approx. 1.63"W x4.28"L)	na	na	na
	11-1553-06	11-1553	2	Screw: 1/4-20 X 5/8" ISHWHSW Indented Slotted Hex Washer Head Screw	na	na	Hardware item: check with customer support
	11-A-1859-01	11-A-1859	1	Single port 600kcmil Lug, Copper, For one CU cable 1/0-600kcmil, used in Original P1 400A main Lug primarily. Approx. size 1.75"L x1.25"W x 1.750"H. Includes two internal mounting holes 0.281" dia.	na	na	na
	11-A-1803-01	11-A-1803	1	300kcmil-#6 Connector/Lug, AL/CU cable, used in S1/P1 400A neutral positions, as well as many other P2/P3 Phase and neutral positions.	na	na	See 4MLKAX and MBKJDX Kits and others
	11-1615-04	11-1615	1	Washer: Type A Plain 1/4" Wide, .312"x.734"x.065"	na	na	Hardware item: check with customer support
	11-1553-07	11-1553	1	Screw: 1/4-20 X 0.75" ISHWHSW Indented Slotted Hex Washer Head Screw	na	na	Hardware item: check with customer support

Addendum B: Original P1 Kits and related parts.

(Some kits and parts may not be available for sale, contact Customer Support.)

Distributor Kit # ref.	Base Part/ Assembly Reference #	Drawing # Ref	Kit Qty.	Kit or Part Description with additional info	Distributor Kit #	Dist Pack Qty.	Distributor Pack Description or additional info
	11-D-4560-01	11-D-4560-01	1	P1 (original and revised) Blank filler plate, 250A Main/Subfeed opening, also used in many other applications. (Installs Vertical for 400A Main)	DFFP01A	1 kit	P1 Main Blank Filler Plate - 1 Piece (use for Original or Revised P1 - also replaces 12-A-1801-01) (Vertical for 400A Main)
	11-A-1054-01	11-A-1054	1	Label: "Main Lug 400 Amps", 1.0" x 2.0"	na	na	General use label used for most applications that need 400A Main Lug label.
	12-A-1077-01	12-A-1077	1	4MLKA3 Instructions for 400A Original P1 Main or Feed-Thru Lug Kits. Not for use with S1/S2/SE panels.	See online Kit instruction sheets when needed		
4MLKC3	11-D-2036-02	11-D-2036-02	1 kit	Original P1 400A Copper 3-phase Main or Feed-thru Lug Kit, CU connectors for two 1/0-250kcmil or one #2-600kcmil CU only cable. Also includes Neutral Lug, labels, blank filler and all hardware required.	4MLKC3	1 kit	Original P1 400A Copper 3-phase Main or Feed-thru Lug Kit, CU connectors for two 1/0-250kcmil or one #2-600kcmil CU only cable. Also includes Neutral Lug, labels, blank filler and all hardware required.
	11-A-1858-01	11-A-1858	3	Single port 600kcmil Lug, Copper, For one CU cable #2-600kcmil, used in RP1 400A main Lug primarily. Approx. size 2.563"L x 1.375"W x 1.380"H. Includes flange with one 0.325" dia. mounting hole and anti-rotate features.	na	na	na
	11-A-1520-10	11-A-1520	9	Screw: 5/16-18 X 1.125" IHWHWSW, Indented Hex Washer-Head Screw, Thread Forming SEMS with captive Belleville washer.	na	na	Hardware item: check with customer support
	11-1626-01	11-1626	3	Nut: 5/16-18 Bellville Washer Nut	na	na	Hardware item: check with customer support
	11-D-3531-01	11-D-3531	3	Lug Pad, 400A max., Copper, tin plated, 0.25" thick. Used for 400A Original P1 and Revised P1 applications. (size approx. 1.63"W x 4.28"L)	na	na	na
	11-1553-06	11-1553	2	Screw: 1/4-20 X 5/8" ISHWHSW Indented Slotted Hex Washer Head Screw	na	na	Hardware item: check with customer support
	11-A-1859-01	11-A-1859	1	Single port 600kcmil Lug, Copper, For one CU cable 1/0-600kcmil, used in Original P1 400A main Lug primarily. Approx. size 1.75"L x 1.25"W x 1.750"H. Includes two internal mounting holes 0.281" dia.	na	na	na
	11-A-1803-01	11-A-1803	1	300kcmil-#6 Connector/Lug, AL/CU cable, used in S1/P1 400A neutral positions, as well as many other P2/P3 Phase and neutral positions.	na	na	See 4MLKAx and MBKJdx Kits and others
	11-1615-04	11-1615	1	Washer: Type A Plain 1/4" Wide, .312"x.734"x.065"	na	na	Hardware item: check with customer support
	11-1553-07	11-1553	1	Screw: 1/4-20 X 0.75" ISHWHSW Indented Slotted Hex Washer Head Screw	na	na	Hardware item: check with customer support
	11-D-4560-01	11-D-4560-01	1	P1 (original and revised) Blank filler plate, 250A Main/Subfeed opening, also used in many other applications. (Installs Vertical for 400A Main)	DFFP01A	1 kit	P1 Main Blank Filler Plate - 1 Piece (use for Original or Revised P1 - also replaces 12-A-1801-01) (Vertical for 400A Main)
	11-A-1054-01	11-A-1054	1	Label: "Main Lug 400 Amps", 1.0" x 2.0"	na	na	General use label used for most applications that need 400A Main Lug label.
	12-A-1077-01	12-A-1077	1	4MLKA3 Instructions for 400A Original P1 Main or Feed-Thru Lug Kits. Not for use with S1/S2/SE panels.	See online Kit instruction sheets when needed		

Addendum B: Original P1 Kits and related parts.

(Some kits and parts may not be available for sale, contact Customer Support.)

Distributor Kit # ref.	Base Part/ Assembly Reference #	Drawing # Ref	Kit Qty.	Kit or Part Description with additional info	Distributor Kit #	Dist Pack Qty.	Distributor Pack Description or additional info
MBKBL1	12-A-2106-01	12-A-2106-01 12-A-2088-03	1 kit*	Original P1 BL 1-Phase Main/SubFeed Strap Kit, Copper straps with hardware, Neutral Lug and filler. (also works with S1/S2 250A PB)	MBKBL1	1 kit	Original P1 BL Main Strap Kit, 1-Phase
	11-A-2147-01	11-A-2147-01	1	Original P1, BL Breaker Bracket assembly	na	na	See MBKBL1 and MBKBL3 Kit
	13-A-4513-01	13-A-4513	1	Original P1 Main Barrier BL Main/Subfeed (Clamshell), 1PH or 3PH	na	na	See MBKBL1, MBKBL3 and MBKBC3 Kit
	11-A-4072-01	11-A-4072	1	Original P1 BL/BQD Strap - Short Connector, CU tin Plated	na	na	See MBKBL1, MBKBL3 and MBKBC3 Kit
	11-A-4073-01	11-A-4073	1	Original P1 BL/BQD Strap - 1-Phase Connector, CU tin Plated	na	na	See MBKBL1 Kit
	12-A-1802-01	12-A-1802	1	P1 Main Filler 100-125A frames ED, BL/BQD or xGB (use for Original or Revised P1 and other applications)	DFFPED01	1 kit	P1 Main Filler 100-125A frames ED, BL/BQD or xGB (use for Original or Revised P1 and other applications)
	11-D-4554-01	11-D-4554	1	DFFP1 Blank filler , 1 inch snap-in, replaced old QF3 in Systems Products. Ref. old #12-1800-01	DFFP1	1 piece	DFFP1 Filler Plate for BL/BQD/ED/xGB in PNLBD & SWBD deadfronts, plus many other locations. (sold by the piece - packed 100 per carton)
	11-A-1506-02	11-A-1506	2	Screw: 10-32 x0.25" Slotted Hex Washer Head	na	na	Hardware item: check with customer support
	11-A-1505-03	11-A-1505	2	Screw: 10-32 x0.281" Slotted Hex Washer Head SEMS	P1SCRWS	1 kit	P1 Branch breaker mounting screws - pack of 42 screws, part #11-A-1505-03, 10-32 x 0.312" Hex Washer Head Screw - Do Not Substitute
	11-A-1508-04	11-A-1508	2	Screw: 1/4-20 x0.50" Slotted Hex Washer Head SIMS	na	na	Hardware item: check with customer support
	11-A-1509-04	11-A-1509	2	Screw: 10-24 x0.438" Slotted Hex Washer Head Thread Form Screw	na	na	Hardware item: check with customer support
	11-1150-01	11-1150	1	Label: "MAIN", used many places in all Panelboards and Swbds where Main must be marked.	na	na	Generally included in most Main Breaker kits and with MB interiors.
	11-A-3113-01	11-A-3113	1	Original P1 BL Main Breaker Support (part of 11-A-2147-01)	na	na	See MBKBL1 and MBKBL3 Kit
	11-A-3162-01	11-A-3162	1	Original P1 BL Main Breaker Bracket Clip (part of 11-A-2147-01)	na	na	See MBKBL1 and MBKBL3 Kit
	11-A-1847-01	11-A-1847	1	350 KCML Lay in lug used for original P1 Neutral and other locations including some P2 neutral locations. NOT used for RP1 main lugs (see 11-A-2070-01).	na	na	See MBKQR1/MBKQR3 and other Original P1 MLK kits and MBK kits.
	11-A-4074-01	11-A-4074	1	Neutral Lug Pad, Copper, Original P1 and S1/S2 panels	na	na	See Original P1 MLKxxx, MBKxxx and CNLKxx/2NLKxx Kits
	11-A-1505-02	11-A-1505	2	Screw: 10-32 x0.375" Slotted Hex Washer Head SEMS	na	na	Hardware item: check with customer support
	12-A-1008-01	12-A-1008	1	MBKBL1 Instructions -1-Phase BL, Original P1	See online Kit instruction sheets when needed		

Addendum B: Original P1 Kits and related parts.

(Some kits and parts may not be available for sale, contact Customer Support.)

Distributor Kit # ref.	Base Part/ Assembly Reference #	Drawing # Ref	Kit Qty.	Kit or Part Description with additional info	Distributor Kit #	Dist Pack Qty.	Distributor Pack Description or additional info
MBKBL3	12-A-2106-02	12-A-2106-02 12-A-2088-04	1 kit*	Original P1 BL 3-Phase Main/SubFeed Strap Kit, Copper straps with hardware, Neutral Lug and filler. (also works with S1/S2 250A PB)	MBKBL3	1 kit	Original P1 BL Main Strap Kit, 3-Phase
	11-A-2147-01	11-A-2147-01	1	Original P1, BL Breaker Bracket assembly	na	na	See MBKBL1 and MBKBL3 Kit
	13-A-4513-01	13-A-4513	1	Original P1 Main Barrier BL Main/Subfeed (Clamshell), 1PH or 3PH	na	na	See MBKBL1, MBKBL3 and MBKBC3 Kit
	11-A-4072-01	11-A-4072	1	Original P1 BL/BQD Strap - Short Connector, CU tin Plated	na	na	See MBKBL1, MBKBL3 and MBKBC3 Kit
	11-A-4071-01	11-A-4071	1	Original P1 BL/BQD Strap - Center Connector, CU tin Plated	na	na	See MBKBL3 and MBKBC3 Kit
	11-A-4070-01	11-A-4070	1	Original P1 BL/BQD Strap - Long Connector, CU tin Plated	na	na	See MBKBL3 and MBKBC3 Kit
	12-A-1802-01	12-A-1802	1	P1 Main Filler 100-125A frames ED, BL/BQD or xGB (use for Original or Revised P1 and other applications)	DFFPED01	1 kit	P1 Main Filler 100-125A frames ED, BL/BQD or xGB (use for Original or Revised P1 and other applications)
	11-A-1506-02	11-A-1506	2	Screw: 10-32 x0.25" Slotted Hex Washer Head	na	na	Hardware item: check with customer support
	11-A-1505-03	11-A-1505	3	Screw: 10-32 x0.281" Slotted Hex Washer Head SEMS	P1SCRWS	1 kit	P1 Branch breaker mounting screws - pack of 42 screws, part #11-A-1505-03, 10-32 x 0.312" Hex Washer Head Screw - Do Not Substitute
	11-A-1508-04	11-A-1508	3	Screw: 1/4-20 x0.50" Slotted Hex Washer Head SIMS	na	na	Hardware item: check with customer support
	11-A-1509-04	11-A-1509	2	Screw: 10-24 x0.438" Slotted Hex Washer Head Thread Form Screw	na	na	Hardware item: check with customer support
	11-1150-01	11-1150	1	Label: "MAIN", used many places in all Panelboards and Swbds where Main must be marked.	na	na	Generally included in most Main Breaker kits and with MB interiors.
	11-A-1847-01	11-A-1847	1	350 KCMIL Lay in lug used for original P1 Neutral and other locations including some P2 neutral locations. NOT used for RP1 main lugs (see 11-A-2070-01).	na	na	See MBKQR1/MBKQR3 and other Original P1 MLK kits and MBK kits.
	11-A-4074-01	11-A-4074	1	Neutral Lug Pad, Copper, Original P1 and S1/S2 panels	na	na	See Original P1 MLKxxx, MBKxxx and CNLKxx/2NLKxx Kits
	11-A-1505-02	11-A-1505	2	Screw: 10-32 x0.375" Slotted Hex Washer Head SEMS	na	na	Hardware item: check with customer support
	12-A-1009-01	12-A-1009-01	1	MBKBL3 Instructions 3-Phase BL, Original P1	See online Kit instruction sheets when needed		
MBKNB1	12-A-2300-03	12-A-2301-01 12-A-2300-03	1 kit*	Original P1 xGB 1-Phase Main/SubFeed Strap Kit, Copper straps with hardware, Neutral Lug and filler. (also works with S1/S2 250A PB)	MBKNB1	1 kit	Original P1 xGB Main Strap Kit, 1-Phase
	12-D-4502-01	12-D-4502-1 12-D-4502-2	1	Original P1 Main Barrier xGB Main/Subfeed (Clamshell), 1PH or 3PH	na	na	See MBKNB1 and MBKNB3 Kit
	12-D-6397-01	12-D-6397	1	Original P1 xGB Main/Subfeed Breaker Support, 1PH or 3PH	na	na	See MBKNB1 and MBKNB3 Kit

Addendum B: Original P1 Kits and related parts.

(Some kits and parts may not be available for sale, contact Customer Support.)

Distributor Kit # ref.	Base Part/ Assembly Reference #	Drawing # Ref	Kit Qty.	Kit or Part Description with additional info	Distributor Kit #	Dist Pack Qty.	Distributor Pack Description or additional info
	11-D-4554-01	11-D-4554	1	DFFP1 Blank filler , 1 inch snap-in, replaced old QF3 in Systems Products. Ref. old #12-1800-01	DFFP1	1 piece	DFFP1 Filler Plate for BL/BQD/ED/xGB in PNLBD & SWBD deadfronts, plus many other locations. (sold by the piece - packed 100 per carton)
	11-D-3795-02	11-D-3795	1	Original P1 250A xGB Main/Subfeed C-Phase Long Connector	na	na	See MBKNB1 Kit
	11-D-3791-01	11-D-3791	1	Original P1 250A xGB Main/Subfeed A-Phase Short Connector	na	na	See MBKNB1 and MBKNB3 Kit
	12-A-1802-01	12-A-1802	1	P1 Main Filler 100-125A frames ED, BL/BQD or xGB (use for Original or Revised P1 and other applications)	DFFPED01	1 kit	P1 Main Filler 100-125A frames ED, BL/BQD or xGB (use for Original or Revised P1 and other applications)
	11-A-1508-04	11-A-1508	2	Screw: 1/4-20 x0.50" Slotted Hex Washer Head SIMS	na	na	Hardware item: check with customer support
	11-A-1505-03	11-A-1505	2	Screw: 10-32 x0.281" Slotted Hex Washer Head SEMS	P1SCRWS	1 kit	P1 Branch breaker mounting screws - pack of 42 screws, part #11-A-1505-03, 10-32 x 0.312" Hex Washer Head Screw - Do Not Substitute
	11-A-1506-02	11-A-1506	2	Screw: 10-32 x0.25" Slotted Hex Washer Head	na	na	Hardware item: check with customer support
	11-A-1509-04	11-A-1509	2	Screw: 10-24 x0.438" Slotted Hex Washer Head Thread Form Screw	na	na	Hardware item: check with customer support
	11-A-1847-01	11-A-1847	1	350 KCMIL Lay in lug used for original P1 Neutral and other locations including some P2 neutral locations. NOT used for RP1 main lugs (see 11-A-2070-01).	na	na	See MBKQR1/MBKQR3 and other Original P1 MLK kits and MBK kits.
	11-A-4074-01	11-A-4074	1	Neutral Lug Pad, Copper, Original P1 and S1/S2 panels	na	na	See Original P1 MLKxxx, MBKxxx and CNLKxxx/2NLKxx Kits
	11-A-1505-02	11-A-1505	2	Screw: 10-32 x0.375" Slotted Hex Washer Head SEMS	na	na	Hardware item: check with customer support
	12-A-1086-01	12-A-1086-1	1	MBKNB1 Instructions 1PH xGB Strap Kit	See online Kit instruction sheets when needed		
MBKBC3	12-A-2112-02	12-A-2114-01 12-A-2112-02	1 kit*	Original P1 BQD 1PH or 3-Phase Main/SubFeed Strap Kit, Copper straps with hardware, Neutral Lug and filler. (also works with S1/S2 250A PB)	MBKBC3	1 kit	Original P1 BQD 1PH or 3-Phase Main/SubFeed Strap Kit, Copper straps with hardware, Neutral Lug and filler. (also works with S1/S2 250A PB)
	11-A-3128-01	11-A-3128	1	Original P1 BQD Main Breaker Support (Painted - steel), 1-Phase or 3-Phase	na	na	See MBKBC3 Kit
	13-A-4513-01	13-A-4513	1	Original P1 Main Barrier BL Main/Subfeed (Clamshell), 1PH or 3PH	na	na	See MBKBL1, MBKBL3 and MBKBC3 Kit
	11-A-4072-01	11-A-4072	1	Original P1 BL/BQD Strap - Short Connector, CU tin Plated	na	na	See MBKBL1, MBKBL3 and MBKBC3 Kit
	11-A-4071-01	11-A-4071	1	Original P1 BL/BQD Strap - Center Connector, CU tin Plated	na	na	See MBKBL3 and MBKBC3 Kit
	11-A-4070-01	11-A-4070	1	Original P1 BL/BQD Strap - Long Connector, CU tin Plated	na	na	See MBKBL3 and MBKBC3 Kit
	12-A-1802-01	12-A-1802	1	"P1 Main Filler 100-125A frames ED, BL/BQD or xGB (use for Original or Revised P1 and other applications)	DFFPED01	1 kit	P1 Main Filler 100-125A frames ED, BL/BQD or xGB (use for Original or Revised P1 and other applications)
	11-A-4532-01	11-A-4532	1	Original P1 BQD Main Breaker Support Barrier, 1-Phase or 3-Phase	na	na	See MBKBC3 Kit
	11-A-1506-02	11-A-1506	2	Screw: 10-32 x0.25" Slotted Hex Washer Head	na	na	Hardware item: check with customer support

Addendum B: Original P1 Kits and related parts.

(Some kits and parts may not be available for sale, contact Customer Support.)

Distributor Kit # ref.	Base Part/ Assembly Reference #	Drawing # Ref	Kit Qty.	Kit or Part Description with additional info	Distributor Kit #	Dist Pack Qty.	Distributor Pack Description or additional info
	11-A-1505-03	11-A-1505	3	Screw: 10-32 x0.281" Slotted Hex Washer Head SEMS	P1SCRWS	1 kit	P1 Branch breaker mounting screws - pack of 42 screws, part #11-A-1505-03, 10-32 x 0.312" Hex Washer Head Screw - Do Not Substitute
	11-A-1508-04	11-A-1508	3	Screw: 1/4-20 x0.50" Slotted Hex Washer Head SIMS	na	na	Hardware item: check with customer support
	11-A-1509-04	11-A-1509	2	Screw: 10-24 x0.438" Slotted Hex Washer Head Thread Form Screw	na	na	Hardware item: check with customer support
	11-1150-01	11-1150	1	Label: "MAIN", used many places in all Panelboards and Swbds where Main must be marked.	na	na	Generally included in most Main Breaker kits and with MB interiors.
	11-A-1847-01	11-A-1847	1	350 KCML Lay in lug used for original P1 Neutral and other locations including some P2 neutral locations. NOT used for RP1 main lugs (see 11-A-2070-01).	na	na	See MBKQR1/MBKQR3 and other Original P1 MLK kits and MBK kits.
	11-A-4074-01	11-A-4074	1	Neutral Lug Pad, Copper, Original P1 and S1/S2 panels	na	na	See Original P1 MLKxxx, MBKxxx and CNLKxx/2NLKxx Kits
	11-A-1505-02	11-A-1505	2	Screw: 10-32 x0.375" Slotted Hex Washer Head SEMS	na	na	Hardware item: check with customer support
	12-A-1011-01	12-A-1011	1	BQCH/BQD MB/SF INST. INSTR.	See online Kit instruction sheets when needed		
MBKNB3	12-A-2300-04	12-A-2301-02 12-A-2300-04	1 kit*	Original P1 xGB 3-Phase Main/SubFeed Strap Kit, Copper straps with hardware, Neutral Lug and filler. (also works with S1/ S2 250A PB)	MBKNB3	1 kit	Original P1 xGB Main Strap Kit, 3-Phase
	12-D-4502-01	12-D-4502-1 12-D-4502-2	1	Original P1 Main Barrier xGB Main/Subfeed (Clamshell), 1PH or 3PH	na	na	See MBKNB1 and MBKNB3 Kit
	12-D-6397-01	12-D-6397	1	Original P1 xGB Main/Subfeed Breaker Support, 1PH or 3PH	na	na	See MBKNB1 and MBKNB3 Kit
	11-1150-01	11-1150	1	Label: "MAIN", used many places in all Panelboards and Swbds where Main must be marked.	na	na	Generally included in most Main Breaker kits and with MB interiors.
	11-D-3795-01	11-D-3795	1	Original P1 250A xGB Main/Subfeed C-Phase Long Connector	na	na	See MBKNB1 and MBKNB3 Kit
	11-D-3793-01	11-D-3793	1	Original P1 250A xGB Main/Subfeed B-Phase Connector	na	na	See MBKNB3 Kit
	11-D-3791-01	11-D-3791	1	Original P1 250A xGB Main/Subfeed A-Phase Short Connector	na	na	See MBKNB1 and MBKNB3 Kit
	12-A-1802-01	12-A-1802	1	P1 Main Filler 100-125A frames ED, BL/BQD or xGB (use for Original or Revised P1 and other applications)	DFFPED01	1 kit	P1 Main Filler 100-125A frames ED, BL/BQD or xGB (use for Original or Revised P1 and other applications)
	11-A-1508-04	11-A-1508	3	Screw: 1/4-20 x0.50" Slotted Hex Washer Head SIMS	na	na	Hardware item: check with customer support
	11-A-1505-03	11-A-1505	3	Screw: 10-32 x0.281" Slotted Hex Washer Head SEMS	P1SCRWS	1 kit	P1 Branch breaker mounting screws - pack of 42 screws, part #11-A-1505-03, 10-32 x 0.312" Hex Washer Head Screw - Do Not Substitute
	11-A-1506-02	11-A-1506	2	Screw: 10-32 x0.25" Slotted Hex Washer Head	na	na	Hardware item: check with customer support
	11-A-1509-04	11-A-1509	2	Screw: 10-24 x0.438" Slotted Hex Washer Head Thread Form Screw	na	na	Hardware item: check with customer support
	11-A-1847-01	11-A-1847	1	350 KCML Lay in lug used for original P1 Neutral and other locations including some P2 neutral locations. NOT used for RP1 main lugs (see 11-A-2070-01).	na	na	See MBKQR1/MBKQR3 and other Original P1 MLK kits and MBK kits.
	11-A-4074-01	11-A-4074	1	Neutral Lug Pad, Copper, Original P1 and S1/S2 panels	na	na	See Original P1 MLKxxx, MBKxxx and CNLKxx/2NLKxx Kits

Addendum B: Original P1 Kits and related parts.

(Some kits and parts may not be available for sale, contact Customer Support.)

Distributor Kit # ref.	Base Part/ Assembly Reference #	Drawing # Ref	Kit Qty.	Kit or Part Description with additional info	Distributor Kit #	Dist Pack Qty.	Distributor Pack Description or additional info
	11-A-1505-02	11-A-1505	2	Screw: 10-32 x0.375" Slotted Hex Washer Head SEMS	na	na	Hardware item: check with customer support
	12-A-1087-01	12-A-1087-1	1	MBKNB3 Instructions 1PH xGB Strap Kit	See online Kit instruction sheets when needed		
MBKED1	12-A-2103-01 12-A-2089-03	12-A-2103-01 12-A-2089-03	1 kit*	Original P1 ED 1-Phase Main/SubFeed Strap Kit, Copper straps with hardware, Neutral Lug and filler. (also works with S1/S2 250A PB)	MBKED1	1 kit	Original P1 ED Main Strap Kit, 1-Phase
	11-A-2080-01	11-A-2080	1	Original P1, ED Breaker Support, 1PH & 3PH (also works with S1/S2 250A PB)	na	na	See (S)MBKED1 and (S)MBKED3 Kit
	13-A-4512-01	13-A-4512	1	Original P1 Main Barrier ED Main/Subfeed (Clamshell), 1PH or 3PH	na	na	See (S)MBKED1 and (S)MBKED3 Kit
	11-A-4060-01	11-A-4060	1	Original P1 ED Strap - Short Connector, CU tin Plated	na	na	See (S)MBKED1 and (S)MBKED3 Kit
	11-A-4061-01	11-A-4061	1	Original P1 ED Strap - 1-Phase Connector, CU tin Plated	na	na	See MBKED1 Kit
	12-A-1802-01	12-A-1802	1	P1 Main Filler 100-125A frames ED, BL/BQD or xGB (use for Original or Revised P1 and other applications)	DFFPED01	1 kit	P1 Main Filler 100-125A frames ED, BL/BQD or xGB (use for Original or Revised P1 and other applications)
	11-D-4554-01	11-D-4554	1	DFFP1 Blank filler , 1 inch snap-in, replaced old QF3 in Systems Products. Ref. old #12-1800-01 (sold by the piece - packed 100 per carton)	DFFP1	1 piece	"DFFP1 Filler Plate for BL/BQD/ED/ xGB in PNLBD & SWBD deadfronts, plus many other locations.
	11-A-1506-02	11-A-1506	2	Screw: 10-32 x0.25" Slotted Hex Washer Head	na	na	Hardware item: check with customer support
	11-A-1505-02	11-A-1505	2	Screw: 10-32 x0.375" Slotted Hex Washer Head SEMS	na	na	Hardware item: check with customer support
	11-A-1508-04	11-A-1508	2	Screw: 1/4-20 x0.50" Slotted Hex Washer Head SIMS	na	na	Hardware item: check with customer support
	11-A-1509-04	11-A-1509	2	Screw: 10-24 x0.438" Slotted Hex Washer Head Thread Form Screw	na	na	Hardware item: check with customer support
	11-1150-01	11-1150	1	Label: "MAIN", used many places in all Panelboards and Swbds where Main must be marked.	na	na	Generally included in most Main Breaker kits and with MB interiors.
	11-A-1847-01	11-A-1847	1	350 KCML Lay in lug used for original P1 Neutral and other locations including some P2 neutral locations. NOT used for RP1 main lugs (see 11-A-2070-01).	na	na	See MBKQR1/MBKQR3 and other Original P1 MLK kits and MBK kits.
	11-A-4074-01	11-A-4074	1	Neutral Lug Pad, Copper, Original P1 and S1/S2 panels	na	na	See Original P1 MLKxxx, MBKxxx and CNLKxx/2NLKxx Kits
	12-A-1003-01	12-A-1003	1	MBKED1 Instructions 1-Phase ED Strap Kit	See online Kit instruction sheets when needed		
MBKED3	12-A-2103-02 12-A-2089-04	12-A-2103-02 12-A-2089-04	1 kit*	Original P1 ED 3-Phase Main/SubFeed Strap Kit, Copper straps with hardware, Neutral Lug and filler. (also works with S1/S2 250A PB)	MBKED3	1 kit	Original P1 ED Main Strap Kit, 3-Phase
	11-A-2080-01	11-A-2080	1	Original P1, ED Breaker Support, 1PH & 3PH (also works with S1/S2 250A PB)	na	na	See (S)MBKED1 and (S)MBKED3 Kit
	13-A-4512-01	13-A-4512	1	Original P1 Main Barrier ED Main/Subfeed (Clamshell), 1PH or 3PH	na	na	See (S)MBKED1 and (S)MBKED3 Kit
	11-A-4060-01	11-A-4060	1	Original P1 ED Strap - Short Connector, CU tin Plated	na	na	See (S)MBKED1 and (S)MBKED3 Kit
	11-A-4059-01	11-A-4059	1	Original P1 ED Strap - Center Connector, CU tin Plated	na	na	See MBKED3 Kit
	11-A-4058-01	11-A-4058	1	Original P1 ED Strap - Long Connector, CU tin Plated	na	na	See MBKED3 Kit

Addendum B: Original P1 Kits and related parts.

(Some kits and parts may not be available for sale, contact Customer Support.)

Distributor Kit # ref.	Base Part/ Assembly Reference #	Drawing # Ref	Kit Qty.	Kit or Part Description with additional info	Distributor Kit #	Dist Pack Qty.	Distributor Pack Description or additional info
	12-A-1802-01	12-A-1802	1	P1 Main Filler 100-125A frames ED, BL/ BQD or xGB (use for Original or Revised P1 and other applications)	DFFPED01	1 kit	P1 Main Filler 100-125A frames ED, BL/BQD or xGB (use for Original or Revised P1 and other applications)
	11-A-1506-02	11-A-1506	2	Screw: 10-32 x0.25" Slotted Hex Washer Head	na	na	Hardware item: check with customer support
	11-A-1505-02	11-A-1505	3	Screw: 10-32 x0.375" Slotted Hex Washer Head SEMS	na	na	Hardware item: check with customer support
	11-A-1508-04	11-A-1508	3	Screw: 1/4-20 x0.50" Slotted Hex Washer Head SIMS	na	na	Hardware item: check with customer support
	11-A-1509-04	11-A-1509	2	Screw: 10-24 x0.438" Slotted Hex Washer Head Thread Form Screw	na	na	Hardware item: check with customer support
	11-1150-01	11-1150	1	Label: "MAIN", used many places in all Panelboards and Swbds where Main must be marked.	na	na	Generally included in most Main Breaker kits and with MB interiors.
	11-A-1847-01	11-A-1847	1	"350 KCMIL Lay in lug used for original P1 Neutral and other locations including some P2 neutral locations. NOT used for RP1 main lugs (see 11-A-2070-01).	na	na	See MBKQR1/MBKQR3 and other Original P1 MLK kits and MBK kits.
	11-A-4074-01	11-A-4074	1	Neutral Lug Pad, Copper, Original P1 and S1/S2 panels	na	na	See Original P1 MLKxxx, MBKxxx and CNLKxx/2NLKxx Kits
	11-A-1505-02	11-A-1505	2	Screw: 10-32 x0.375" Slotted Hex Washer Head SEMS	na	na	Hardware item: check with customer support
	12-A-1004-01	12-A-1004	1	MBKED3 Instructions 3-Phase ED Strap Kit	See online Kit instruction sheets when needed		
MBKQJ3	12-A-2102-02	12-A-2102-02	1 kit	Original P1 or S1 QJ Main/Subfeed Breaker Kit, 3-phase, Copper straps with hardware, Neutral Lug and filler. QJ is obsolete - see QR kits for replacements when needed.	MBKQJ3	1 kit	Original P1 or S1 QJ Main/Subfeed Breaker Kit, 3-phase, Copper straps with hardware, Neutral Lug and filler. QJ is obsolete - see QR kits for replacements when needed.
	11-A-3110-01	11-A-3110	1	Breaker Mounting Plate - QR/QJ Strap kits	na	na	See MBKQR1 and MBKQR3 Kit
	13-A-4511-01	13-A-4511	1	QR/QJ Main/Subfeed Strap kit barrier	na	na	See MBKQR1 and MBKQR3 Kit
	11-A-4065-01	11-A-4065	1	QR/QJ Short Connector, CU tin plated	na	na	See MBKQR1 and MBKQR3 Kit
	11-A-4066-01	11-A-4066	1	QR/QJ Center Connector, CU tin plated	na	na	See MBKQR1 and MBKQR3 Kit
	11-A-4067-01	11-A-4067	1	QR/QJ Long Connector, CU tin plated	na	na	See MBKQR1 and MBKQR3 Kit
	12-A-1804-01	12-A-1804	1	QJ Main Filler Plate for 3-Phase (3-pole) P1 Panels (use for Original or Revised P1 and other applications)	DFFPQJ01	1 kit	QJ Main Filler Plate for 3-Phase (3-pole) P1 Panels (use for Original or Revised P1 and other applications)
	11-A-1506-02	11-A-1506	2	Screw: 10-32 x0.25" Slotted Hex Washer Head	na	na	Hardware item: check with customer support
	11-1653-20	11-1653	2	Screw: 1/4-28 x 2.375" Machine Screw, Round Head	na	na	Hardware item: check with customer support
	11-A-1508-04	11-A-1508	6	Screw: 1/4-20 x0.50" Slotted Hex Washer Head SIMS	na	na	Hardware item: check with customer support
	11-A-1509-04	11-A-1509	2	Screw: 10-24 x0.438" Slotted Hex Washer Head Thread Form Screw	na	na	Hardware item: check with customer support
	11-1150-01	11-1150	1	Label: "MAIN", used many places in all Panelboards and Swbds where Main must be marked.	na	na	Generally included in most Main Breaker kits and with MB interiors.
	11-A-1847-01	11-A-1847	1	350 KCMIL Lay in lug used for original P1 Neutral and other locations including some P2 neutral locations. NOT used for RP1 main lugs (see 11-A-2070-01).	na	na	See MBKQR1/MBKQR3 and other Original P1 MLK kits and MBK kits.

Addendum B: Original P1 Kits and related parts.

(Some kits and parts may not be available for sale, contact Customer Support.)

Distributor Kit # ref.	Base Part/ Assembly Reference #	Drawing # Ref	Kit Qty.	Kit or Part Description with additional info	Distributor Kit #	Dist Pack Qty.	Distributor Pack Description or additional info
	11-A-4074-01	11-A-4074	1	Neutral Lug Pad, Copper, Original P1 and S1/S2 panels	na	na	See Original P1 MLKxxx, MBKxxx and CNLKxx/2NLKxx Kits
	11-A-1505-02	11-A-1505	2	Screw: 10-32 x0.375" Slotted Hex Washer Head SEMS	na	na	Hardware item: check with customer support
	12-A-1002-01	12-A-1002	1	MBKQJ3 Instruction Sheet for QJ in Original P1 or S1 Main/Subfeed applications.	See online Kit instruction sheets when needed		
MBKQR1	11-D-2642-01	11-D-2642-01	1 kit*	Original P1 QR 1-Phase Main/SubFeed Strap Kit, Copper straps with hardware, Neutral Lug and filler. (also works with S1/ S2 250A PB)	MBKQR1	1 kit	Original P1/S1 QR Main/Subfeed Breaker Kit, 1-phase, Copper straps with neutral lug and hardware.
	11-A-3110-01	11-A-3110	1	Breaker Mounting Plate - QR/QJ Strap kits	na	na	See MBKQR1 and MBKQR3 Kit
	13-A-4511-01	13-A-4511	1	QR/QJ Main/Subfeed Strap kit barrier	na	na	See MBKQR1 and MBKQR3 Kit
	11-A-4065-01	11-A-4065	1	QR/QJ Short Connector, CU tin plated	na	na	See MBKQR1 and MBKQR3 Kit
	11-A-4068-01	11-A-4068	1	QR/QJ 1-Phase Connector, CU tin plated	na	na	See MBKQR1 and MBKQR3 Kit
	11-D-4563-01	11-D-4563	1	QR Deadfront Filler Plate, Plastic snap-in for RP1, P2 and other products. (Horizontal Mount)	MBKQRFK	1 kit	P1/RP1 FILLER FOR 2P/3P QR - HORIZ MOUNT
	11-A-1506-02	11-A-1506	2	Screw: 10-32 x0.25" Slotted Hex Washer Head	na	na	Hardware item: check with customer support
	11-1653-20	11-1653	1	Screw: 1/4-28 x 2.375" Machine Screw, Round Head	na	na	Hardware item: check with customer support
	11-A-1508-04	11-A-1508	4	Screw: 1/4-20 x0.50" Slotted Hex Washer Head SIMS	na	na	Hardware item: check with customer support
	11-1576-04	11-1576	2	Screw: 10-24 X 0.437" ISHWHSW Indented Slotted Hex Washer Head Screw	na	na	Hardware item: check with customer support
	11-1150-01	11-1150	1	Label: "MAIN", used many places in all Panelboards and Swbds where Main must be marked.	na	na	Generally included in most Main Breaker kits and with MB interiors.
	11-A-1847-01	11-A-1847	1	350 KCMIL Lay in lug used for original P1 Neutral and other locations including some P2 neutral locations. NOT used for RP1 main lugs (see 11-A-2070-01).	na	na	See MBKQR1/MBKQR3 and other Original P1 MLK kits and MBK kits.
	11-A-4074-01	11-A-4074	1	Neutral Lug Pad, Copper, Original P1 and S1/S2 panels	na	na	See Original P1 MLKxxx, MBKxxx and CNLKxx/2NLKxx Kits
	11-A-1505-02	11-A-1505	2	Screw: 10-32 x0.375" Slotted Hex Washer Head SEMS	na	na	Hardware item: check with customer support
	11-A-1138-01	11-A-1138-01	1	MBKQR1/QR3 Instructions 1-Phase/3-Phase QR	See online Kit instruction sheets when needed		
MBKQR3	11-D-2642-02	11-D-2642-02	1 kit*	Original P1 QR 3-Phase Main/SubFeed Strap Kit, Copper straps with hardware, Neutral Lug and filler. (also works with S1/ S2 250A PB)	MBKQR3	1 kit	Original P1/S1 QR Main/Subfeed Breaker Kit, 3-phase, Copper straps with neutral lug and hardware.
	11-A-3110-01	11-A-3110	1	Breaker Mounting Plate - QR/QJ Strap kits	na	na	See MBKQR1 and MBKQR3 Kit
	13-A-4511-01	13-A-4511	1	QR/QJ Main/Subfeed Strap kit barrier	na	na	See MBKQR1 and MBKQR3 Kit
	11-A-4065-01	11-A-4065	1	QR/QJ Short Connector, CU tin plated	na	na	See MBKQR1 and MBKQR3 Kit
	11-A-4066-01	11-A-4066	1	QR/QJ Center Connector, CU tin plated	na	na	See MBKQR1 and MBKQR3 Kit
	11-A-4067-01	11-A-4067	1	QR/QJ Long Connector, CU tin plated	na	na	See MBKQR1 and MBKQR3 Kit
	11-D-4563-01	11-D-4563	1	QR Deadfront Filler Plate, Plastic snap-in for RP1, P2 and other products. (Horizontal Mount)	MBKQRFK	1 kit	P1/RP1 FILLER FOR 2P/3P QR - HORIZ MOUNT
	11-A-1506-02	11-A-1506	2	Screw: 10-32 x0.25" Slotted Hex Washer Head	na	na	Hardware item: check with customer support
	11-1653-20	11-1653	2	Screw: 1/4-28 x 2.375" Machine Screw, Round Head	na	na	Hardware item: check with customer support

Addendum B: Original P1 Kits and related parts.

(Some kits and parts may not be available for sale, contact Customer Support.)

Distributor Kit # ref.	Base Part/ Assembly Reference #	Drawing # Ref	Kit Qty.	Kit or Part Description with additional info	Distributor Kit #	Dist Pack Qty.	Distributor Pack Description or additional info
	11-A-1508-04	11-A-1508	6	Screw: 1/4-20 x0.50" Slotted Hex Washer Head SIMS	na	na	Hardware item: check with customer support
	11-1576-04	11-1576	2	Screw: 10-24 X 0.437" ISHWHSW Indented Slotted Hex Washer Head Screw	na	na	Hardware item: check with customer support
	11-1150-01	11-1150	1	Label: "MAIN", used many places in all Panelboards and Swbds where Main must be marked.	na	na	Generally included in most Main Breaker kits and with MB interiors.
	11-A-1847-01	11-A-1847	1	350 KCMIL Lay in lug used for original P1 Neutral and other locations including some P2 neutral locations. NOT used for RP1 main lugs (see 11-A-2070-01).	na	na	See MBKQR1/MBKQR3 and other Original P1 MLK kits and MBK kits.
	11-A-4074-01	11-A-4074	1	Neutral Lug Pad, Copper, Original P1 and S1/S2 panels	na	na	See Original P1 MLKxxx, MBKxxx and CNLKxx/2NLKxx Kits
	11-A-1505-02	11-A-1505	2	Screw: 10-32 x0.375" Slotted Hex Washer Head SEMS	na	na	Hardware item: check with customer support
	11-A-1138-01	11-A-1138-01	1	MBKQR1/QR3 Instructions 1-Phase/ 3-Phase QR	See online Kit instruction sheets when needed		
MBKFD1	12-A-2090-03	12-A-2090-03	1 kit*	Original P1 FD 1-Phase Main/SubFeed Strap Kit, Copper straps with hardware, Neutral Lug and filler. (also works with S1/ S2 250A PB)	MBKFD1	1 kit	Original P1 FD 1-Phase Main/ SubFeed Strap Kit, Copper straps with hardware, Neutral Lug and filler. (also works with S1/S2 250A PB)
	11-A-3111-01	11-A-3111	1	Original P1, FD Breaker Mounting Plate, 12 GA steel	na	na	See MBKFD1 and MBKFD3 Kit
	13-A-4510-01	13-A-4510	1	Original P1 Main Barrier FD Main/Subfeed (Clamshell), 1PH or 3PH	na	na	See MBKFD1 and MBKFD3 Kit
	11-A-4064-01	11-A-4064	1	Original P1 FD Strap - Short Connector, CU tin Plated	na	na	See MBKFD1 and MBKFD3 Kit
	11-A-4062-01	11-A-4062	1	Original P1 FD Strap - Long Connector, CU tin Plated	na	na	See MBKFD1 and MBKFD3 Kit
	12-A-1803-01	12-A-1803	1	FD Main Filler Plate for 1-Ph and 3-Ph P1 Panels (use for Original or Revised P1 and other applications)	DFPF01	1 kit	FD Main Filler Plate for 1-Ph and 3-Ph P1 Panels (use for Original or Revised P1 and other applications)
	11-A-1506-02	11-A-1506	2	Screw: 10-32 x0.25" Slotted Hex Washer Head	na	na	Hardware item: check with customer support
	11-A-1552-14	11-A-1552	2	Screw: 1/4-20 x 4.25" Thread Forming Phillips Pan Head	na	na	Hardware item: check with customer support
	11-A-1508-08	11-A-1508	2	Screw: 1/4-20 x0.875" Slotted Hex Washer Head SIMS	na	na	Hardware item: check with customer support
	11-A-1508-04	11-A-1508	2	Screw: 1/4-20 x0.50" Slotted Hex Washer Head SIMS	na	na	Hardware item: check with customer support
	11-A-1509-04	11-A-1509	2	Screw: 10-24 x0.438" Slotted Hex Washer Head Thread Form Screw	na	na	Hardware item: check with customer support
	11-1150-01	11-1150	1	Label: "MAIN", used many places in all Panelboards and Swbds where Main must be marked.	na	na	Generally included in most Main Breaker kits and with MB interiors.
	11-A-1847-01	11-A-1847	1	350 KCMIL Lay in lug used for original P1 Neutral and other locations including some P2 neutral locations. NOT used for RP1 main lugs (see 11-A-2070-01).	na	na	See MBKQR1/MBKQR3 and other Original P1 MLK kits and MBK kits.
	11-A-4074-01	11-A-4074	1	Neutral Lug Pad, Copper, Original P1 and S1/S2 panels	na	na	See Original P1 MLKxxx, MBKxxx and CNLKxx/2NLKxx Kits
	11-A-1505-02	11-A-1505	2	Screw: 10-32 x0.375" Slotted Hex Washer Head SEMS	na	na	Hardware item: check with customer support
	12-A-1005-01	12-A-1005	1	MBKFD1 Instructions - 1-Phase FD	See online Kit instruction sheets when needed		

Addendum B: Original P1 Kits and related parts.

(Some kits and parts may not be available for sale, contact Customer Support.)

Distributor Kit # ref.	Base Part/ Assembly Reference #	Drawing # Ref	Kit Qty.	Kit or Part Description with additional info	Distributor Kit #	Dist Pack Qty.	Distributor Pack Description or additional info
MBKFD3	12-A-2090-04	12-A-2090-04	1 kit*	Original P1 FD 3-Phase Main/SubFeed Strap Kit, Copper straps with hardware, Neutral Lug and filler. (also works with S1/S2 250A PB)	MBKFD3	1 kit	Original P1 FD 3-Phase Main/SubFeed Strap Kit, Copper straps with hardware, Neutral Lug and filler. (also works with S1/S2 250A PB)
	11-A-3111-01	11-A-3111	1	Original P1, FD Breaker Mounting Plate, 12 GA steel	na	na	See MBKFD1 and MBKFD3 Kit
	13-A-4510-01	13-A-4510	1	Original P1 Main Barrier FD Main/Subfeed (Clamshell), 1PH or 3PH	na	na	See MBKFD1 and MBKFD3 Kit
	11-A-4064-01	11-A-4064	1	Original P1 FD Strap - Short Connector, CU tin Plated	na	na	See MBKFD1 and MBKFD3 Kit
	11-A-4063-01	11-A-4063	1	Original P1 FD Strap - Center Connector, CU tin Plated	na	na	See MBKFD3 Kit
	11-A-4062-01	11-A-4062	1	Original P1 FD Strap - Long Connector, CU tin Plated	na	na	See MBKFD1 and MBKFD3 Kit
	12-A-1803-01	12-A-1803	1	FD Main Filler Plate for 1-Ph and 3-Ph P1 Panels (use for Original or Revised P1 and other applications)	DFFPFD01	1 kit	FD Main Filler Plate for 1-Ph and 3-Ph P1 Panels (use for Original or Revised P1 and other applications)
	11-A-1506-02	11-A-1506	2	Screw: 10-32 x0.25" Slotted Hex Washer Head	na	na	Hardware item: check with customer support
	11-A-1552-14	11-A-1552	2	Screw:1/4-20 x 4.25" Thread Forming Phillips Pan Head	na	na	Hardware item: check with customer support
	11-A-1508-08	11-A-1508	3	Screw: 1/4-20 x0.875" Slotted Hex Washer Head SIMS	na	na	Hardware item: check with customer support
	11-A-1508-04	11-A-1508	3	Screw: 1/4-20 x0.50" Slotted Hex Washer Head SIMS	na	na	Hardware item: check with customer support
	11-A-1509-04	11-A-1509	2	Screw: 10-24 x0.438" Slotted Hex Washer Head Thread Form Screw	na	na	Hardware item: check with customer support
	11-1150-01	11-1150	1	Label: "MAIN", used many places in all Panelboards and Swbds where Main must be marked.	na	na	Generally included in most Main Breaker kits and with MB interiors.
	11-A-1847-01	11-A-1847	1	350 KCMIL Lay in lug used for original P1 Neutral and other locations including some P2 neutral locations. NOT used for RP1 main lugs (see 11-A-2070-01).	na	na	See MBKQR1/MBKQR3 and other Original P1 MLK kits and MBK kits.
	11-A-4074-01	11-A-4074	1	Neutral Lug Pad, Copper, Original P1 and S1/S2 panels	na	na	See Original P1 MLKxxx, MBKxxx and CNLKxx/2NLKxx Kits
	11-A-1505-02	11-A-1505	2	Screw: 10-32 x0.375" Slotted Hex Washer Head SEMS	na	na	Hardware item: check with customer support
	12-A-1006-01	12-A-1006	1	MBKFD1 Instructions - 3-Phase FD	See online Kit instruction sheets when needed		
MBKJD1	11-D-2016-01	11-D-2016-01	1 kit*	Original P1 JD 1-Phase Main Strap Kit, Copper straps with hardware, Neutral Lug and filler. Not for Revised P1. Not for Subfeed.	na	na	See MBKJD1 and MBKJD3 Kit
	11-D-4502-01	11-D-4502	1	Original P1 or RP1 JD Main Breaker Support barrier, 1PH or 3PH	na	na	See MBKJD1(A) and MBKJD3(A) Kit
	11-D-3527-01	11-D-3527	1	Original P1 JD - C-Phase Connector, CU tin Plated	na	na	See MBKJD1and MBKJD3 Kit
	11-D-3525-01	11-D-3525	1	Original P1 JD - B-Phase Lower Connector, CU tin Plated	na	na	See MBKJD1and MBKJD3 Kit
	11-D-3523-01	11-D-3523	1	Original P1 JD - B-Phase Upper Connector, CU tin Plated	na	na	See MBKJD1and MBKJD3 Kit
	11-D-3521-01	11-D-3521	1	Original P1 JD - A-Phase Connector, CU tin Plated	na	na	See MBKJD1and MBKJD3 Kit
	11-D-4522-01	11-D-4522	1	JD Main Filler Plate for 1-Ph and 3-Ph P1 Panels (use for Original or Revised P1 and other applications)	DFFPJD01	1 kit	JD Main Filler Plate for 1-Ph and 3-Ph P1 Panels (use for Original or Revised P1 and other applications)
	11-1615-07	11-1615	3	Washer: Type A Plain 3/8" Narrow, .406"x.812"x.065"	na	na	Hardware item: check with customer support

Addendum B: Original P1 Kits and related parts.

(Some kits and parts may not be available for sale, contact Customer Support.)

Distributor Kit # ref.	Base Part/ Assembly Reference #	Drawing # Ref	Kit Qty.	Kit or Part Description with additional info	Distributor Kit #	Dist Pack Qty.	Distributor Pack Description or additional info
	11-1618-05	11-1618	3	Washer: 3/8" Helical Spring Lock washer, .382"x.683"x.094"	na	na	Hardware item: check with customer support
	11-1586-07	11-1586	3	Screw: 3/8-16x1.25" HHMS, Hex Head Machine Screw	na	na	Hardware item: check with customer support
	11-A-1856-01	11-A-1856	1	600kcmil Lay-in Lug, Aluminum, #1/0-600kcmil AL/CU cable, used in S1/P1/RP1 400A neutral and 200% neutral positions, as well as many other P2/P3 Phase and neutral positions.	na	na	See MBKJD1/MBKJD3 Kits and 400A Neutral lug kits
	11-1553-06	11-1553	2	Screw: 1/4-20 X 5/8" ISHWHSW Indented Slotted Hex Washer Head Screw	na	na	Hardware item: check with customer support
	11-A-1520-10	11-A-1520	6	Screw: 5/16-18 X 1.125" IHWSHW, Indented Hex Washer-Head Screw, Thread Forming SEMS with captive Belleville washer.	na	na	Hardware item: check with customer support
	11-A-1552-10	11-A-1552	2	Screw: 1/4-20 x 2.75" Thread Forming Phillips Pan Head	na	na	Hardware item: check with customer support
	11-A-1803-01	11-A-1803	1	300kcmil-#6 Connector/Lug, AL/CU cable, used in S1/P1 400A neutral positions, as well as many other P2/P3 Phase and neutral positions.	na	na	See 4MLKAX and MBKJDx Kits and others
	11-1615-04	11-1615	1	Washer: Type A Plain 1/4" Wide, .312"x.734"x.065"	na	na	Hardware item: check with customer support
	11-1553-08	11-1553	1	Screw: 1/4-20 X 7/8" ISHWHSW Indented Slotted Hex Washer Head Screw	na	na	Hardware item: check with customer support
	11-1150-01	11-1150	1	Label: "MAIN", used many places in all Panelboards and Swbds where Main must be marked.	na	na	Generally included in most Main Breaker kits and with MB interiors.
	12-A-1070-01	12-A-1070-01	1	Original P1 MBKJD1/JD3 Instructions - 1-Ph/3-Ph JD	See online Kit instruction sheets when needed		
MBKJD3	11-D-2016-01	11-D-2016-01	1 kit	Original P1 JD 3-Phase Main Strap Kit, Copper straps with hardware, Neutral Lug and filler. Not for Revised P1.	na	na	See MBKJD1 and MBKJD3 Kit
	11-D-4502-01	11-D-4502	1	Original P1 or RP1 JD Main Breaker Support barrier, 1PH or 3PH	na	na	See MBKJD1(A) and MBKJD3(A) Kit
	11-D-3527-01	11-D-3527	1	Original P1 JD - C-Phase Connector, CU tin Plated	na	na	See MBKJD1and MBKJD3 Kit
	11-D-3525-01	11-D-3525	1	Original P1 JD - B-Phase Lower Connector, CU tin Plated	na	na	See MBKJD1and MBKJD3 Kit
	11-D-3523-01	11-D-3523	1	Original P1 JD - B-Phase Upper Connector, CU tin Plated	na	na	See MBKJD1and MBKJD3 Kit
	11-D-3521-01	11-D-3521	1	Original P1 JD - A-Phase Connector, CU tin Plated	na	na	See MBKJD1and MBKJD3 Kit
	11-D-4522-01	11-D-4522	1	JD Main Filler Plate for 1-Ph and 3-Ph P1 Panels (use for Original or Revised P1 and other applications)	DFFPJD01	1 kit	JD Main Filler Plate for 1-Ph and 3-Ph P1 Panels (use for Original or Revised P1 and other applications)
	11-1615-07	11-1615	3	Washer: Type A Plain 3/8" Narrow, .406"x.812"x.065"	na	na	Hardware item: check with customer support
	11-1618-05	11-1618	3	Washer: 3/8" Helical Spring Lock washer, .382"x.683"x.094"	na	na	Hardware item: check with customer support
	11-1586-07	11-1586	3	Screw: 3/8-16x1.25" HHMS, Hex Head Machine Screw	na	na	Hardware item: check with customer support
	11-A-1856-01	11-A-1856	1	600kcmil Lay-in Lug, Aluminum, #1/0-600kcmil AL/CU cable, used in S1/P1/RP1 400A neutral and 200% neutral positions, as well as many other P2/P3 Phase and neutral positions.	na	na	See MBKJD1/MBKJD3 Kits and 400A Neutral lug kits

Addendum B: Original P1 Kits and related parts.

(Some kits and parts may not be available for sale, contact Customer Support.)

Distributor Kit # ref.	Base Part/ Assembly Reference #	Drawing # Ref	Kit Qty.	Kit or Part Description with additional info	Distributor Kit #	Dist Pack Qty.	Distributor Pack Description or additional info
	11-1553-06	11-1553	2	Screw: 1/4-20 X 5/8" ISHWHSW Indented Slotted Hex Washer Head Screw	na	na	Hardware item: check with customer support
	11-A-1520-10	11-A-1520	6	Screw: 5/16-18 X 1.125" IHWSHW, Indented Hex Washer-Head Screw, Thread Forming SEMS with captive Belleville washer.	na	na	Hardware item: check with customer support
	11-A-1552-10	11-A-1552	2	Screw: 1/4-20 x 2.75" Thread Forming Phillips Pan Head	na	na	Hardware item: check with customer support
	11-A-1803-01	11-A-1803	1	300kcmil-#6 Connector/Lug, AL/CU cable, used in S1/P1 400A neutral positions, as well as many other P2/P3 Phase and neutral positions.	na	na	See 4MLKAX and MBKJDx Kits and others
	11-1615-04	11-1615	1	Washer: Type A Plain 1/4" Wide, .312"x.734"x.065"	na	na	Hardware item: check with customer support
	11-1553-08	11-1553	1	Screw: 1/4-20 X 7/8" ISHWHSW Indented Slotted Hex Washer Head Screw	na	na	Hardware item: check with customer support
	11-1150-01	11-1150	1	Label: "MAIN", used many places in all Panelboards and Swbds where Main must be marked.	na	na	Generally included in most Main Breaker kits and with MB interiors.
	12-A-1070-01	12-A-1070-01	1	Original P1 MBKJD1/JD3 Instructions - 1-Ph/3-Ph JD	See online Kit instruction sheets when needed		
MBKED3100	MBKED3100	see instruction sheet	1 kit	Original P1 Main/Subfeed Breaker Kit, 3PH 100A 480V @18kA, 240V @65kA, with ED43B100 Breaker installed into Strap kit #MBKED3	MBKED3100	1 kit	Original P1 Main/Subfeed Breaker Kit, 3PH 100A 480V @18kA, 240V @65kA, with ED43B100 Breaker installed into Strap kit #MBKED3
MBKED3125	MBKED3125	see instruction sheet	1 kit	Original P1 Main/Subfeed Breaker Kit, 3PH 125A 480V @18kA, 240V @65kA, with ED43B125 Breaker installed into Strap kit #MBKED3	MBKED3125	1 kit	Original P1 Main/Subfeed Breaker Kit, 3PH 125A 480V @18kA, 240V @65kA, with ED43B125 Breaker installed into Strap kit #MBKED3
MBKFD3150	MBKFD3150	see instruction sheet	1 kit	Original P1 Main/Subfeed Breaker Kit, 3PH 150A 480V @35kA, 240V @65kA with FXD63B150 Breaker installed in kit #MBKFD3	MBKFD3150	1 kit	Original P1 Main/Subfeed Breaker Kit, 3PH 150A 480V @35kA, 240V @65kA with FXD63B150 Breaker installed in kit #MBKFD3
MBKFD3175	MBKFD3175	see instruction sheet	1 kit	Original P1 Main/Subfeed Breaker Kit, 3PH 175A 480V @35kA, 240V @65kA with FXD63B175 Breaker installed in kit #MBKFD3	MBKFD3175	1 kit	Original P1 Main/Subfeed Breaker Kit, 3PH 175A 480V @35kA, 240V @65kA with FXD63B175 Breaker installed in kit #MBKFD3
MBKFD3200	MBKFD3200	see instruction sheet	1 kit	Original P1 Main/Subfeed Breaker Kit, 3PH 200A 480V @35kA, 240V @65kA with FXD63B200 Breaker installed in kit #MBKFD3	MBKFD3200	1 kit	Original P1 Main/Subfeed Breaker Kit, 3PH 200A 480V @35kA, 240V @65kA with FXD63B200 Breaker installed in kit #MBKFD3
MBKFD3225	MBKFD3225	see instruction sheet	1 kit	Original P1 Main/Subfeed Breaker Kit, 3PH 225A 480V @35kA, 240V @65kA with FXD63B225 Breaker installed in kit #MBKFD3	MBKFD3225	1 kit	Original P1 Main/Subfeed Breaker Kit, 3PH 225A 480V @35kA, 240V @65kA with FXD63B225 Breaker installed in kit #MBKFD3
MBKFD3250	MBKFD3250	see instruction sheet	1 kit	Original P1 Main/Subfeed Breaker Kit, 3PH 250A 480V @35kA, 240V @65kA with FXD63B250 Breaker installed in kit #MBKFD3	MBKFD3250	1 kit	Original P1 Main/Subfeed Breaker Kit, 3PH 250A 480V @35kA, 240V @65kA with FXD63B250 Breaker installed in kit #MBKFD3
MBKJD1300	MBKJD1300	see instruction sheet	1 kit	Original P1 Main Breaker Kit, JXD6, 1PH 300A 480V @35kA, 240V @65kA with JXD62B300 Breaker installed in kit #MBKJD1 (not for use as Subfeed)	MBKJD1300	1 kit	Original P1 Main Breaker Kit, JXD6, 1PH 300A 480V @35kA, 240V @65kA with JXD62B300 Breaker installed in kit #MBKJD1 (not for use as Subfeed)
MBKJD3300	MBKJD3300	see instruction sheet	1 kit	Original P1 Main Breaker Kit, JXD6, 3PH 300A 480V @35kA, 240V @65kA with JXD63B300 Breaker installed in kit #MBKJD3 (not for use as Subfeed)	MBKJD3300	1 kit	Original P1 Main Breaker Kit, JXD6, 3PH 300A 480V @35kA, 240V @65kA with JXD63B300 Breaker installed in kit #MBKJD3 (not for use as Subfeed)

Addendum B: Original P1 Kits and related parts.

(Some kits and parts may not be available for sale, contact Customer Support.)

Distributor Kit # ref.	Base Part/ Assembly Reference #	Drawing # Ref	Kit Qty.	Kit or Part Description with additional info	Distributor Kit #	Dist Pack Qty.	Distributor Pack Description or additional info
MBKJD1400	MBKJD1400	see instruction sheet	1 kit	Original P1 Main Breaker Kit, JXD6, 1PH 400A 480V @35kA, 240V @65kA with JXD62B400 Breaker installed in kit #MBKJD1 (not for use as Subfeed)	MBKJD1400	1 kit	Original P1 Main Breaker Kit, JXD6, 1PH 400A 480V @35kA, 240V @65kA with JXD62B400 Breaker installed in kit #MBKJD1 (not for use as Subfeed)
MBKJD3400	MBKJD3400	see instruction sheet	1 kit	Original P1 Main Breaker Kit, JXD6, 3PH 400A 480V @35kA, 240V @65kA with JXD63B400 Breaker installed in kit #MBKJD3 (not for use as Subfeed)	MBKJD3400	1 kit	Original P1 Main Breaker Kit, JXD6, 3PH 400A 480V @35kA, 240V @65kA with JXD63B400 Breaker installed in kit #MBKJD3 (not for use as Subfeed)
MBKJD12300	MBKJD12300	see instruction sheet	1 kit	Original P1 Main Breaker Kit, JXD2, 1PH 300A 240V @65kA with JXD22B300 Breaker installed in kit #MBKJD1 (not for use as Subfeed)	MBKJD12300	1 kit	Original P1 Main Breaker Kit, JXD2, 1PH 300A 240V @65kA with JXD22B300 Breaker installed in kit #MBKJD1 (not for use as Subfeed)
MBKJD32300	MBKJD32300	see instruction sheet	1 kit	Original P1 Main Breaker Kit, JXD2, 3PH 300A 240V @65kA with JXD23B300 Breaker installed in kit #MBKJD3 (not for use as Subfeed)	MBKJD32300	1 kit	Original P1 Main Breaker Kit, JXD2, 3PH 300A 240V @65kA with JXD23B300 Breaker installed in kit #MBKJD3 (not for use as Subfeed)
MBKJD12400	MBKJD12400	see instruction sheet	1 kit	Original P1 Main Breaker Kit, JXD2, 1PH 400A 240V @65kA with JXD22B400 Breaker installed in kit #MBKJD1 (not for use as Subfeed)	MBKJD12400	1 kit	Original P1 Main Breaker Kit, JXD2, 1PH 400A 240V @65kA with JXD22B400 Breaker installed in kit #MBKJD1 (not for use as Subfeed)
MBKJD32400	MBKJD32400	see instruction sheet	1 kit	Original P1 Main Breaker Kit, JXD2, 3PH 400A 240V @65kA with JXD23B400 Breaker installed in kit #MBKJD3 (not for use as Subfeed)	MBKJD32400	1 kit	Original P1 Main Breaker Kit, JXD2, 3PH 400A 240V @65kA with JXD23B400 Breaker installed in kit #MBKJD3 (not for use as Subfeed)

Addendum C

P2/P3 Strap kits and related parts

Summary:

- Addendum C includes a List of most P2/P3/C1/C2/S1/S2/SE Panelboard related kits and a breakdown of the Bill of Material in each kit. Many old Kits for S1/S2/SE are listed, although replacement parts for many of these Products may no longer be available.

Distributor Kit Reference # Information

- The Kit number row shows the Assembly number for the kit and related drawing reference.
- The Part/Kit Descriptions have been enhanced to add more details and information for sales and customers to better understand the Part/Kit.

Base Reference # Information

- The Reference number row shows the Drawing # for the Part and the Part Qty in this kit.
- The Part/Kit Descriptions have been enhanced to add more details and information for sales and customers to better understand the Part/Kit.

Distributor Kit/Pack information

- For each Reference Part number - there may be additional information in the Distributor Columns such as:
 - a) A Catalog number that can be purchased that includes one or more of the reference parts on that row.
 - b) The Qty of the reference part that is in the kit shown
 - c) An enhanced description of the part with additional data if relevant, such as size, material, where/how part is generally used.

Special notes:

- 1) Many rows show "na" in many columns. This basically means "Not Available", there are no readily available Catalog numbers for the reference part on that row. In some cases additional information is provided about the part or other Kits that may include the part.
- 2) Hardware Items such as Screws, Nuts, Bolts and Washers typically have no saleable kits and therefore Customer Support may need to be contacted for availability of these items. When Saleable Kits are available they will be shown.
- 3) Instruction Sheet Reference Drawing numbers are show to help find Instruction sheets online when needed, usually searching for the "catalog" number is the best way to find the instruction sheets online.
- 4) Occasionally Bills of Material (BOMs) are changed for various reasons. These pages represent the current BOMs when this document was created and should be considered as a guide to replacement parts. Changes to BOMs can occur over time and availability of parts and/or kits are not guaranteed by this document. This is a reference only, to assist in finding relavent information when replacement parts are needed.

Addendum C

P2/P3 Strap kits and related parts

Distributor Kit # ref.	Base Part/ Assembly Reference #	Drawing # Ref	Kit Qty.	Kit or Part Description with additional info	Distributor Kit #	Dist Pack Qty.	Distributor Pack Description or additional info
IMK1	11-A-2024-01	11-A-2024-01	1 kit	Interior Mounting Kit with Adjustment Provisions for P1/P2/P3	IMK1	1 kit	Interior Mounting Kit with Adjustment Provisions for P1/P2/P3
	11-1621-04	11-1621	4	Nut: Type D Wing Nut, Thread - 1/4-20	na	na	Hardware item: check with customer support (used in IMK1)
	11-1533-08	11-1533	4	Screw: 10-32 x 3/4" Hex Washer Head Screw	na	na	Hardware item: check with customer support
	13-D-1005-01	13-D-1005	1	Label: "Danger", ARC FLASH Danger Label, general use.	na	na	Generally included in IMK1 and many other kits/devices.
	11-A-1012-01	11-A-1012	1	Label: "CAUTION" Series Rating info label.	na	na	Generally included in IMK1 and many other kits/devices.
	11-A-1002-01	11-A-1002	1	IMK1 Interior Mounting Kit Instruction Sheet	See online Kit instruction sheets when needed		
BNK2	11-A-1862-01	11-A-1862	1 kit	BNK2 3-Step Lug Kit, for P2 neutrals and others. (14x #14-1/0 max and 14x #14-#6 max connections) - Kit includes mounting hardware and instructions.	BNK2	1 kit	Lug 3-Step, for P2 neutrals and others. (14x #14-1/0 max and 14x #14-#6 max connections) - Kit includes mounting hardware and instructions.
	11-A-1862-01	11-A-1862	1	BNK2 3-Step Lug Kit, for P2 neutrals and others. (14x #14-1/0 max and 14x #14-#6 max connections) - Kit includes mounting hardware and instructions.	Not available as bulk Distributor parts.		
	11-A-1809-04	11-A-1809	2	Screw: 10-24 x 0.5" Hex Washer Head Screw	na	na	Hardware item: check with customer support
	12-A-1085-01	12-A-1085-1	1	BNK2 Instruction Sheet, 3-step P2 Neutral Lug kit.	See online Kit instruction sheets when needed		
LPP2NB01	15-A-1800-61	15-A-1800-61	1 kit	Lug 2-Step, for P2 neutrals and others. (3x #6-1/0 max and 18x #14-#6 max connections) - Kit includes mounting hardware and instructions.	LPP2NB01	1 kit	Lug 2-Step, for P2 neutrals and others. (3x #6-1/0 max and 18x #14-#6 max connections) - Kit includes mounting hardware and instructions.
	15-A-1800-01	15-A-1800	1	Lug 2-Step, for P2 neutrals and others. (3x #6-1/0 max and 18x #14-#6 max connections)	Not available as bulk Distributor parts.		
	11-A-1809-04	11-A-1809	2	Screw: 10-24 x 0.5" Hex Washer Head Screw	na	na	Hardware item: check with customer support
	11-A-1179-01	11-A-1179	1	Instruction Sheet for LPP2NB01 2-step neutral kit	See online Kit instruction sheets when needed		
BNK350N	11-A-1869-61	11-A-1869-61	1 kit	Neutral Lug kit, Narrow 350 kcmil Lug with two mounting screws. Used in P2/P3 neutrals and other locations.	BNK350N	1 kit	Narrow 350 kcmil Lug w/2 mounting screws
	11-A-1869-01		1	Narrow 350 kcmil Lug used in P2/P3 neutrals and other locations.	BNK350N	1 kit	Narrow 350 kcmil Lug w/2 mounting screws
	11-1553-07		2	Screw: 1/4-20 X 0.75" ISHWHSW Indented Slotted Hex Washer Head Screw	na	na	Hardware item: check with customer support
	11-A-1177-01		1	Instruction Sheet for BNK350N Lug Kit	See online Kit instruction sheets when needed		
MBKQRC1FK	11-D-2646-01	11-D-2646-01	1 kit	C1 QR Filler kit. Use for changing from QJ to QR or for replacement filler for QR only.	MBKQRC1FK	1 kit	C1 QR Filler kit. Use for changing from QJ to QR or for replacement filler for QR only.
	11-D-3280-01	11-D-3280	2	C1 Main Adapter Plate. Allows use of QR breaker in Main or Subfeed position of C1 Panel.	na	na	See MBKQRC1FK Kit
	11-D-4560-01	11-D-4560-01	1	P1 (original and revised) Blank filler plate, 250A Main/Subfeed opening, also used in many other applications. (Installs Vertical for 400A Main)	DFFP01A	1 kit	P1 Main Blank Filler Plate - 1 Piece (use for Original or Revised P1 - also replaces 12-A-1801-01) (Vertical for 400A Main)
	11-A-1509-03	11-A-1509	6	Screw: 10-24 x0.438" Slotted Hex Washer Head Thread Form Screw	na	na	Hardware item: check with customer support
	11-1615-02A	11-1615	2	Washer: Type A Plain #10 Narrow, ..218"x.500"x.049"	na	na	Hardware item: check with customer support

Addendum C

P2/P3 Strap kits and related parts

Distributor Kit # ref.	Base Part/ Assembly Reference #	Drawing # Ref	Kit Qty.	Kit or Part Description with additional info	Distributor Kit #	Dist Pack Qty.	Distributor Pack Description or additional info
	11-1150-01	11-1150	4	Label: "MAIN", used many places in all Panelboards and Swbds where Main must be marked.	na	na	Generally included in most Main Breaker kits and with MB interiors.
	11-1003-01	11-1003-01	4	Label: "Service Disconnect", for general use, 1.5"x.75"	na	na	Generally included in most bonding kits and with many Service Entrance Interiors, plus other applications.
	11-A-1137-01	11-A-1137-01	1	Instruction Sheet for MBKQRC1FK. Use with QR breaker installed in a C1 Panel as a Main or Subfeed.	See online Kit instruction sheets when needed		
P2BK1	11-D-2068-01	11-D-2068-01	1 kit	P2 250A Max Horiz. MB Bonding Strap Kit	P2BK1	1 kit	P2 250A max Horiz. Main Breaker Bonding Strap Kit
	11-D-3565-01	11-D-3565	1	P2BK1 BOND STRAP CU (60/bx) 250A HORZ MB	na	na	see P2BK1 kit
	11-1512-03	11-1512	2	Screw: 8-32 X 3/8" IHWHWSW, Indented Hex Washer-Head Screw	na	na	Hardware item: check with customer support
	11-1003-01	11-1003-01	1	Label: "Service Disconnect", for general use, 1.5"x.75"	na	na	Generally included in most bonding kits and with many Service Entrance Interiors, plus other applications.
	11-D-1004-01	11-D-1004	1	P2BK1 Instruction Card - P2 250A max. MB	See online Kit instruction sheets when needed		
P2BK2	11-D-2068-02	11-D-2068-02	1 kit	P2 125A max. Main Lug Bonding Strap Assembly	P2BK2	1 kit	P2 125A max. Main Lug Bonding Strap Kit
	11-D-3551-01	11-D-3551	1	P2BK2 BONDING STRAP CU (50/Bx) 125A MLO	na	na	see P2BK2 kit
	11-1512-02	11-1512	2	Screw: 8-32 X 9/32" IHWHWSW, Indented Hex Washer-Head Screw	na	na	Hardware item: check with customer support
	11-1003-01	11-1003-01	6	Label: "Service Disconnect", for general use, 1.5"x.75"	na	na	Generally included in most bonding kits and with many Service Entrance Interiors, plus other applications.
	11-D-1005-01	11-D-1005	1	P2BK2 Instruction Card - P2 125A max. ML	See online Kit instruction sheets when needed		
P2BK3	11-D-2068-03	11-D-2068-03	1 kit	P2 250-600A MLO and all Vert MB Bonding Kit	P2BK3	1 kit	P2 250-600A MLO and all Vertical Mount MB Bonding Kit
	11-D-3557-01	11-D-3557	1	P2BK3 Bond Strap 600A max (CU) 45/bx	na	na	see P2BK3 kit
	11-1512-06	11-1512	1	Screw: 8-32 X 9/16" IHWHWSW, Indented Hex Washer-Head Screw	na	na	Hardware item: check with customer support
	11-1512-02	11-1512	1	Screw: 8-32 X 9/32" IHWHWSW, Indented Hex Washer-Head Screw	na	na	Hardware item: check with customer support
	11-1003-01	11-1003-01	6	Label: "Service Disconnect", for general use, 1.5"x.75"	na	na	Generally included in most bonding kits and with many Service Entrance Interiors, plus other applications.
	11-D-1006-01	11-D-1006	1	P2BK3 Instruction Card - P2 250-600A MLO and all Vertical Mount MB Bonding	See online Kit instruction sheets when needed		
P3BK1	11-D-2204-01	11-D-2204-01	1 kit	P3 Bonding Kit for all MLO and MB selections	P3BK1	1 kit	P3 Bonding Kit for all MLO and MB selections
	11-D-3621-01	11-D-3621	1	P3BK1 BONDING STRAP (50/bx)	na	na	see P3BK1 kit
	11-1003-01	11-1003-01	6	Label: "Service Disconnect", for general use, 1.5"x.75"	na	na	Generally included in most bonding kits and with many Service Entrance Interiors, plus other applications.
	11-1553-06	11-1553	1	Screw: 1/4-20 X 5/8" ISHWHWSW Indented Slotted Hex Washer Head Screw	na	na	Hardware item: check with customer support
	11-1527-01	11-1527	1	Screw: 10-32 x 7/16 SHWHWSW Slotted Hex Washer Head Screw	na	na	Hardware item: check with customer support
	11-D-1007-01	11-D-1007	1	P3BK1 Instruction Card - P3 MLO and MB	See online Kit instruction sheets when needed		

Addendum C

P2/P3 Strap kits and related parts

Distributor Kit # ref.	Base Part/ Assembly Reference #	Drawing # Ref	Kit Qty.	Kit or Part Description with additional info	Distributor Kit #	Dist Pack Qty.	Distributor Pack Description or additional info
BBKB32	11-D-2267-01	11-D-2267-01	1 kit	P2/P3 BL/BQD Branch Strap kit, uses 3" of unit space for 6 circuits total.	BBKB32	1 kit	P2/P3 BL/BQD Branch Strap kit, uses 3" of unit space for 6 circuits total.
	11-A-4055-03	11-A-4055	1	P2/P3 BL/BQD B-phase Branch Bus CU Tin Plate	na	na	See BBKB32 Kit
	11-A-4056-03	11-A-4056	3	P2/P3 BL/BQD A/C-phase Branch Bus CU Tin Plate	na	na	See BBKB32 Kit
	11-D-3033-01	11-D-3033	2	Adapter for Deadfront in P2/P3 with BL/BQD/ED/xGB/etc. breakers. This adapter plate fills gap in 3 inches of unit space on one side of the panel to allow the smaller breakers to fit correctly..	na	na	See DFP3AP01, BBKGB32, BBKNB32, BBKED32, BBKB32.
	11-D-4518-01	11-D-4518	1	P2/P3 BL/BQD Support Barrier, Black, 3" unit space	na	na	See BBKB32 Kit
	11-D-4554-01	11-D-4554	6	DFFP1 Blank filler , 1 inch snap-in, replaced old QF3 in Systems Products. Ref. old #12-1800-01	DFFP1	1 piece	"DFFP1 Filler Plate for BL/BQD/ED/xGB in PNLBD & SWBD deadfronts, plus many other locations. *(sold by the piece - packed 100 per carton)"
	11-1512-02	11-1512	6	Screw: 8-32 X 9/32" IHWHWSW, Indented Hex Washer-Head Screw	na	na	Hardware item: check with customer support
	11-1553-06	11-1553	3	Screw: 1/4-20 X 5/8" ISHWHWSW Indented Slotted Hex Washer Head Screw	na	na	Hardware item: check with customer support
	11-1553-09	11-1553	3	Screw: 1/4-20 X 1" ISHWHWSW Indented Slotted Hex Washer Head Screw	na	na	Hardware item: check with customer support
	11-1576-07	11-1576	6	Screw: 10-24 X 0.625" ISHWHWSW Indented Slotted Hex Washer Head Screw	na	na	Hardware item: check with customer support
	12-A-1078-01	12-A-1078-1	1	BBKB32 Instruction Sheet for P2/P3 BL/BQD Branch Strap	See online Kit instruction sheets when needed		
BBKED32	11-D-2268-01	11-D-2268-01	1 kit	P2/P3 ED Twin Mount Branch Strap Kit, uses 3" of unit space for 6 circuits.	BBKED32	1 kit	P2/P3 ED Twin Mount Branch Strap Kit, uses 3" of unit space for 6 circuits.
	11-4011-03	11-4011	1	ED 2-4-6 B Phase CU Branch Bus Connector	na	na	See BBKED32 Kit
	11-D-3033-01	11-D-3033	2	Adapter for Deadfront in P2/P3 with BL/BQD/ED/xGB/etc. breakers. This adapter plate fills gap in 3 inches of unit space on one side of the panel to allow the smaller breakers to fit correctly..	na	na	See DFP3AP01, BBKGB32, BBKNB32, BBKED32, BBKB32.
	11-D-3078-01	11-D-3078	2	P2/P3 ED Frame Breaker Support 2.5"	na	na	See BBKED32 Kit
	11-D-3773-01	11-D-3773	3	ED A or C Phase CU Branch Bus Connector Tin Plate	na	na	See BBKED32 Kit
	11-D-4521-01	11-D-4521	2	P2/P3 ED 1-pole Barrier, 1-phase systems only, Main and Branch, Black	na	na	See BBKED32 Kit
	11-D-4554-01	11-D-4554	6	DFFP1 Blank filler , 1 inch snap-in, replaced old QF3 in Systems Products. Ref. old #12-1800-01	DFFP1	1 piece	DFFP1 Filler Plate for BL/BQD/ED/xGB in PNLBD & SWBD deadfronts, plus many other locations. *(sold by the piece - packed 100 per carton)"
	15-4502-01	15-4502	2	P2/P3 ED 1-pole Barrier, 3-phase systems only, Main and Branch, Black	na	na	See BBKED32 Kit
	11-1512-02	11-1512	8	Screw: 8-32 X 9/32" IHWHWSW, Indented Hex Washer-Head Screw	na	na	Hardware item: check with customer support
	11-1512-08	11-1512	2	Screw: 8-32 X 3/4" IHWHWSW, Indented Hex Washer-Head Screw	na	na	Hardware item: check with customer support
	11-1553-06	11-1553	3	Screw: 1/4-20 X 5/8" ISHWHWSW Indented Slotted Hex Washer Head Screw	na	na	Hardware item: check with customer support
	11-1553-09	11-1553	3	Screw: 1/4-20 X 1" ISHWHWSW Indented Slotted Hex Washer Head Screw	na	na	Hardware item: check with customer support
	11-1576-07	11-1576	6	Screw: 10-24 X 0.625" ISHWHWSW Indented Slotted Hex Washer Head Screw	na	na	Hardware item: check with customer support
	12-A-1079-01	12-A-1079-1	1	BBKED32 Instruction Sheet for P2/P3 ED Twin Mount Branch Kit	See online Kit instruction sheets when needed		

Addendum C

P2/P3 Strap kits and related parts

Distributor Kit # ref.	Base Part/ Assembly Reference #	Drawing # Ref	Kit Qty.	Kit or Part Description with additional info	Distributor Kit #	Dist Pack Qty.	Distributor Pack Description or additional info
BBKNB32	11-D-2311-01	11-D-2311-01	1 kit	P2/P3 GB2 Twin Mount Branch Strap Kit, uses 3" of unit space for 6 circuits.	BBKNB32	1 kit	P2/P3 GB2 Twin Mount Branch Strap Kit, uses 3" of unit space for 6 circuits. Includes GB2 Barrier and all mounting hardware.
	11-D-3787-02	11-D-3787	3	P2/P3 xGB A/C-Phase Branch Connector, CU tin plated, also used for P2 Horiz. Mount Main	na	na	See BBKGB32 and BBKNB32 Kits Also, K11D275701 bulk strap kit.
	11-D-3789-02	11-D-3789	1	P2/P3 xGB B-Phase Branch Connector, CU tin plated, also used for P2 Horiz. Mount Main	na	na	See BBKGB32 and BBKNB32 Kits Also, K11D275701 bulk strap kit.
	12-D-4500-01	12-D-4500	1	P2/P3 xGB Twin Mount Branch Kit Top Barrier	na	na	See BBKNB32 Kit. P2/P3 Top barrier for xGB only. Not for use with GB2 breakers.
	11-D-3033-01	11-D-3033	2	Adapter for Deadfront in P2/P3 with BL/ BQD/ED/xGB/etc. breakers. This adapter plate fills gap in 3 inches of unit space on one side of the panel to allow the smaller breakers to fit correctly..	na	na	See DFP3AP01, BBKGB32, BBKNB32, BBKED32, BBKB32.
	11-D-4554-01	11-D-4554	6	DFFP1 Blank filler , 1 inch snap-in, replaced old QF3 in Systems Products. Ref. old #12-1800-01	DFFP1	1 piece	DFFP1 Filler Plate for BL/BQD/ED/xGB in PNLBD & SWBD deadfronts, plus many other locations. (sold by the piece - packed 100 per carton)
	11-1512-02	11-1512	2	Screw: 8-32 X 9/32" IHWHWSW, Indented Hex Washer-Head Screw	na	na	Hardware item: check with customer support
	11-1512-03	11-1512	4	Screw: 8-32 X 3/8" IHWHWSW, Indented Hex Washer-Head Screw	na	na	Hardware item: check with customer support
	11-1553-17	11-1553	1	Screw: 1/4-20 X 1.875" ISHWHSW Indented Slotted Hex Washer Head Screw	na	na	Hardware item: check with customer support
	11-1553-19	11-1553	1	Screw: 1/4-20 X 2.250" ISHWHSW Indented Slotted Hex Washer Head Screw	na	na	Hardware item: check with customer support
	11-1553-06	11-1553	3	Screw: 1/4-20 X 5/8" ISHWHSW Indented Slotted Hex Washer Head Screw	na	na	Hardware item: check with customer support
	11-1576-07	11-1576	6	Screw: 10-24 X 0.625" ISHWHSW Indented Slotted Hex Washer Head Screw	na	na	Hardware item: check with customer support
	12-A-1092-01	12-A-1092-1	1	BBKNB32 Instruction Sheet for P2/P3 xGB2 Twin Mount Branch Strap Kit	See online Kit instruction sheets when needed		
BBKGB32	11-D-2756-01	11-D-2756-01	1 kit	P2/P3 xGB2 Twin Mount Branch Strap Kit, uses 3" of unit space for 6 circuits.	BBKGB32	1 kit	P2/P3 xGB2 Twin Mount Branch Strap Kit, uses 3" of unit space for 6 circuits. Includes xGB Barrier and all mounting hardware.
	11-D-3787-02	11-D-3787	3	P2/P3 xGB A/C-Phase Branch Connector, CU tin plated, also used for P2 Horiz. Mount Main	na	na	See BBKGB32 and BBKNB32 Kits Also, K11D275701 bulk strap kit.
	11-D-3789-02	11-D-3789	1	P2/P3 xGB B-Phase Branch Connector, CU tin plated, also used for P2 Horiz. Mount Main	na	na	See BBKGB32 and BBKNB32 Kits Also, K11D275701 bulk strap kit.
	11-D-4554-01	11-D-4554	6	DFFP1 Blank filler , 1 inch snap-in, replaced old QF3 in Systems Products. Ref. old #12-1800-01	DFFP1	1 piece	DFFP1 Filler Plate for BL/BQD/ED/xGB in PNLBD & SWBD deadfronts, plus many other locations. (sold by the piece - packed 100 per carton)
	11-D-3033-01	11-D-3033	2	Adapter for Deadfront in P2/P3 with BL/ BQD/ED/xGB/etc. breakers. This adapter plate fills gap in 3 inches of unit space on one side of the panel to allow the smaller breakers to fit correctly..	na	na	See DFP3AP01, BBKGB32, BBKNB32, BBKED32, BBKB32.
	11-D-4586-01	11-D-4586	1	P2/P3 GB2 Twin Mount Branch Kit Top Barrier	na	na	See BBKGB32 Kit. P2/P3 Top barrier for GB2 only. Not for use with xGB breakers.
	11-1512-03	11-1512	6	Screw: 8-32 X 3/8" IHWHWSW, Indented Hex Washer-Head Screw	na	na	Hardware item: check with customer support
	11-1553-06	11-1553	3	Screw: 1/4-20 X 5/8" ISHWHSW Indented Slotted Hex Washer Head Screw	na	na	Hardware item: check with customer support
	11-1553-09	11-1553	3	Screw: 1/4-20 X 1" ISHWHSW Indented Slotted Hex Washer Head Screw	na	na	Hardware item: check with customer support

Addendum C

P2/P3 Strap kits and related parts

Distributor Kit # ref.	Base Part/ Assembly Reference #	Drawing # Ref	Kit Qty.	Kit or Part Description with additional info	Distributor Kit #	Dist Pack Qty.	Distributor Pack Description or additional info
	11-1553-17	11-1553	1	Screw: 1/4-20 X 1.875" ISHWHSW Indented Slotted Hex Washer Head Screw	na	na	Hardware item: check with customer support
	11-1553-19	11-1553	1	Screw: 1/4-20 X 2.250" ISHWHSW Indented Slotted Hex Washer Head Screw	na	na	Hardware item: check with customer support
	11-A-1568-01	11-A-1568	6	Screw: 10-24x0.50" Thread Forming Socket Head Cap Screw	na	na	Hardware item: check with customer support
	12-A-1030-01	12-A-1030-01	1	BBKGB32 Instruction Sheet for P2/P3 xGB2 Twin Mount Branch Strap Kit	See online Kit instruction sheets when needed		
BBKQ1	11-D-2272-01	11-D-2272-01	1 kit	P2 QJ Twin Mount Branch Strap Kit, uses 6" of unit space for two 2-pole or 3-pole breakers.	BBKQ1	1 kit	P2 QJ Twin Mount Branch Strap Kit, uses 6" of unit space for two 2-pole or 3-pole breakers.
	11-A-1869-01	11-A-1869	1	Narrow 350 kcmil Lug used in P2/P3 neutrals and other locations.	BNK350N	1 kit	Narrow 350 kcmil Lug w/2 mounting screws
	11-D-3024-01	11-D-3024	1	P2 QJ Twin Mount Branch Deadfront Plate	na	na	See BBKQ1 Kit
	11-D-3064-01	11-D-3064	1	P2 QJ/QR Branch Breaker Support, 12GA Galv, 2.25"x2.25"x1.23"	na	na	See BBKQR1 Kit
	11-D-3699-01	11-D-3699	1	P2 QJ/QR A/C Phase Connector Long, .25" CU Tin plated, w/tape insulation	na	na	See BBKQR1 or BBKQ1 Kit
	11-D-3701-01	11-D-3701	1	P2 QJ/QR B Phase Connector, .25" CU Tin plated	na	na	See BBKQR1 or BBKQ1 Kit
	11-D-3703-01	11-D-3703	1	P2 QJ/QR A/C Phase Connector Short, .25" CU-Tin plated	na	na	See BBKQR1 or BBKQ1 Kit
	11-D-3705-01	11-D-3705	1	P2 QJ/QR A/C 2-pole Phase Connector, .25" CU-Tin plated	na	na	See BBKQR1 or BBKQ1 Kit
	11-D-4525-01	11-D-4525	1	P2/P3 QJ Deadfront Filler Plate - Not for QR	na	na	See BBKQ1 or BBKQ2 Kit
	11-1512-02	11-1512	6	Screw: 8-32 X 9/32" IHWHWSW, Indented Hex Washer-Head Screw	na	na	Hardware item: check with customer support
	11-1542-13	11-1542	2	Screw: 1/4-20x2.50" SRHMS, Slotted Round Head Machine Screw	na	na	Hardware item: check with customer support
	11-1553-06	11-1553	9	Screw: 1/4-20 X 5/8" ISHWHSW Indented Slotted Hex Washer Head Screw	na	na	Hardware item: check with customer support
	11-1553-07	11-1553	2	Screw: 1/4-20 X 0.75" ISHWHSW Indented Slotted Hex Washer Head Screw	na	na	Hardware item: check with customer support
	12-A-1080-01	12-A-1080-1	1	BBKQ1 Instruction sheet, P2 QJ Twin Mount Branch Strap Kit	See online Kit instruction sheets when needed		
BBKQR1	11-D-2636-01	11-D-2636-01	1 kit	P2 QR Single Mount Branch Strap Kit, uses 6" of unit space for one 2-pole or 3-pole breaker.	BBKQR1	1 kit	P2 QR Single Mount Branch Strap Kit, uses 6" of unit space for one 2-pole or 3-pole breaker.
	11-D-3699-01	11-D-3699	1	P2 QJ/QR A/C Phase Connector Long, .25" CU Tin plated, w/tape insulation	na	na	See BBKQR1 or BBKQ1 Kit
	11-D-3705-01	11-D-3705	1	P2 QJ/QR A/C 2-pole Phase Connector, .25" CU-Tin plated	na	na	See BBKQR1 or BBKQ1 Kit
	11-D-3701-01	11-D-3701	1	P2 QJ/QR B Phase Connector, .25" CU Tin plated	na	na	See BBKQR1 or BBKQ1 Kit
	11-D-3703-01	11-D-3703	1	P2 QJ/QR A/C Phase Connector Short, .25" CU-Tin plated	na	na	See BBKQR1 or BBKQ1 Kit
	11-D-3064-01	11-D-3064	1	P2 QJ/QR Branch Breaker Support, 12GA Galv, 2.25"x2.25"x1.23"	na	na	See BBKQR1 Kit
	11-D-3282-01	11-D-3282	1	P2 2-pole or 3-pole horizontal QR Single Deadfront Plate	na	na	See BBKQR1 or BBKQRP1FK Kit
	11-D-4564-01	11-D-4564	1	P2 QR Deadfront Filler, Plastic snap-in for P2, Vertical mount Main position.	tbd - in process	tbd	P2 QR Deadfront Filler, Plastic snap-in for P2, Vertical mount Main position. - currently only in BBKQRP1FK with other parts, new kit planned to be offered with this part only
	11-A-1869-01	11-A-1869	1	Narrow 350 kcmil Lug used in P2/P3 neutrals and other locations.	BNK350N	1 kit	Narrow 350 kcmil Lug w/2 mounting screws
	11-1553-06	11-1553	10	Screw: 1/4-20 X 5/8" ISHWHSW Indented Slotted Hex Washer Head Screw	na	na	Hardware item: check with customer support

Addendum C

P2/P3 Strap kits and related parts

Distributor Kit # ref.	Base Part/ Assembly Reference #	Drawing # Ref	Kit Qty.	Kit or Part Description with additional info	Distributor Kit #	Dist Pack Qty.	Distributor Pack Description or additional info
	11-1512-02	11-1512	6	Screw: 8-32 X 9/32" IHWHWSW, Indented Hex Washer-Head Screw	na	na	Hardware item: check with customer support
	11-1542-13	11-1542	2	Screw: 1/4-20x2.50" SRHMS, Slotted Round Head Machine Screw	na	na	Hardware item: check with customer support
	11-1553-07	11-1553	2	Screw: 1/4-20 X 0.75" ISHWHWSW Indented Slotted Hex Washer Head Screw	na	na	Hardware item: check with customer support
	11-A-1131-01	11-A-1131-01	1	BBKQR1 Instruction sheet, P2 QR Single Mount Branch Strap Kit	See online Kit instruction sheets when needed		
BBKEB32	11-D-2310-01	11-D-2310-01	1 kit	P3 NEB/HEB Twin Mount Branch Strap Kit, uses 3" of unit space for 6 circuits.	BBKEB32	1 kit	P3 NEB/HEB Twin Mount Branch Strap Kit, uses 3" of unit space for 6 circuits.
	11-D-3141-01	11-D-3141	2	P3 NEB/HEB Twin Mount Branch 3" Deadfront Plate	na	na	See BBKEB32 Kit
	11-D-3799-02	11-D-3799	1	P3 NEB/HEB Twin Mount Branch B-phase Connector Strap, CU Tin plated	na	na	See BBKEB32 Kit
	11-D-3801-02	11-D-3801	3	P3 EB A/C Connector, .25" CU Tin plated	na	na	See BBKEB32 Kit
	11-D-4529-01	11-D-4529	6	HEB/NEB Filler for P3, plastic filler plate to cover 1" of unit space. (screw not included)	na	na	See EBF1 or BBKEB32
	11-D-4535-01	11-D-4535	1	P3 NEB/HEB Twin Mount Branch Breaker Top Barrier	na	na	See BBKEB32 Kit
	11-1512-03	11-1512	6	Screw: 8-32 X 3/8" IHWHWSW, Indented Hex Washer-Head Screw	na	na	Hardware item: check with customer support
	11-1553-09	11-1553	3	Screw: 1/4-20 X 1" ISHWHWSW Indented Slotted Hex Washer Head Screw	na	na	Hardware item: check with customer support
	11-A-1568-01	11-A-1568	6	Screw: 10-24x0.50" Thread Forming Socket Head Cap Screw	na	na	Hardware item: check with customer support
	12-A-1093-01	12-A-1093-1	1	BBKEB32 Instruction Sheet for P3 NEB/HEB Twin Mount Branch Kit	See online Kit instruction sheets when needed		
BBKQ2	11-D-2274-01	11-D-2274-01	1 kit	P3 QJ Twin Mount Branch Strap Kit, uses 6" of unit space for two 2-pole or 3-pole breakers.	BBKQ2	1 kit	P3 QJ Twin Mount Branch Strap Kit, uses 6" of unit space for two 2-pole or 3-pole breakers.
	11-A-1869-01	11-A-1869	2	Narrow 350 kcmil Lug used in P2/P3 neutrals and other locations.	BNK350N	1 kit	Narrow 350 kcmil Lug w/2 mounting screws
	11-D-2188-01	11-D-2188-01	2	P3 Twin QR/QJ A/C Phase Connector Assembly	na	na	See BBKQR2 or BBKQ2 Kit
	11-D-2189-01	11-D-2189-01	1	P3 Twin QR/QJ B-Phase Connector Assembly	na	na	See BBKQR2 or BBKQ2 Kit
	11-D-2190-01	11-D-2190-01	1	P3 Twin QR/QJ 2-pole A/C Phase Connector Assembly	na	na	See BBKQR2 or BBKQ2 Kit
	11-D-3074-01	11-D-3074	2	P3 QR/QJ Branch Breaker Support, 12GA Galv.	na	na	See BBKQR2 or BBKQ2 Kit
	11-D-3075-01	11-D-3075	1	P3 Twin QJ 3-Pole Branch Cover, not for QR, 14GA CRS Painted ANSI-61	na	na	See BBKQ2 Kit
	11-D-3077-01	11-D-3077	1	P3 Twin QJ 2-Pole A/B-B/C Branch Cover, not for QR, 14GA CRS Painted ANSI-61	na	na	See BBKQ2 Kit
	11-D-4525-01	11-D-4525	2	P2/P3 QJ Deadfront Filler Plate - Not for QR	na	na	See BBKQ1 or BBKQ2 Kit
	11-D-4526-01	11-D-4526	1	P3 Twin Mount QR/QJ Branch Barrier, Black	na	na	See BBKQR2 or BBKQ2 Kit
	12-6812-24	12-6812	1	P3 QJ Deadfront Filler - painted Steel plate, not for QR, 16GA CRS Painted ANSI-61	na	na	See BBKQ2 Kit
	11-1512-02	11-1512	8	Screw: 8-32 X 9/32" IHWHWSW, Indented Hex Washer-Head Screw	na	na	Hardware item: check with customer support
	11-1542-13	11-1542	4	Screw: 1/4-20x2.50" SRHMS, Slotted Round Head Machine Screw	na	na	Hardware item: check with customer support
	11-1553-06	11-1553	6	Screw: 1/4-20 X 5/8" ISHWHWSW Indented Slotted Hex Washer Head Screw	na	na	Hardware item: check with customer support
	11-1553-07	11-1553	4	Screw: 1/4-20 X 0.75" ISHWHWSW Indented Slotted Hex Washer Head Screw	na	na	Hardware item: check with customer support
	11-1553-09	11-1553	6	Screw: 1/4-20 X 1" ISHWHWSW Indented Slotted Hex Washer Head Screw	na	na	Hardware item: check with customer support

Addendum C

P2/P3 Strap kits and related parts

Distributor Kit # ref.	Base Part/ Assembly Reference #	Drawing # Ref	Kit Qty.	Kit or Part Description with additional info	Distributor Kit #	Dist Pack Qty.	Distributor Pack Description or additional info
	11-1615-02A	11-1615	2	Washer: Type A Plain #10 Narrow, .218"x.500"x.049"	na	na	Hardware item: check with customer support
	11-1630-02	11-1630	2	Bolt: replaced with 32-1506-C01 (#10-24 .625" round head share neck carriage bolt)	na	na	Hardware item: check with customer support (see 32-1506-C01)
	11-1821-02	11-1821	2	Nut: 10-24 PALNUT Spring-steel	na	na	Hardware item: check with customer support
	12-A-1081-01	12-A-1081-1	1	BBKQ2 Instruction sheet, P3 QJ Twin Mount Branch Strap Kit	See online Kit instruction sheets when needed		
BBKQR2	11-D-2637-01	11-D-2637-01	1 kit	P3 QR Twin Mount Branch Strap Kit, uses 6" of unit space for two 2-pole or 3-pole breakers.	BBKQR2	1 kit	P3 QR Twin Mount Branch Strap Kit, uses 6" of unit space for two 2-pole or 3-pole breakers.
	11-D-2188-01	11-D-2188-01	2	P3 Twin QR/QJ A/C Phase Connector Assembly	na	na	See BBKQR2 or BBKQ2 Kit
	11-D-2189-01	11-D-2189-01	1	P3 Twin QR/QJ B-Phase Connector Assembly	na	na	See BBKQR2 or BBKQ2 Kit
	11-D-2190-01	11-D-2190-01	1	P3 Twin QR/QJ 2-pole A/C Phase Connector Assembly	na	na	See BBKQR2 or BBKQ2 Kit
	11-D-4526-01	11-D-4526	1	P3 Twin Mount QR/QJ Branch Barrier, Black	na	na	See BBKQR2 or BBKQ2 Kit
	11-D-3074-01	11-D-3074	2	P3 QR/QJ Branch Breaker Support, 12GA Galv.	na	na	See BBKQR2 or BBKQ2 Kit
	11-D-3283-01	11-D-3283	1	P3 Deadfront plate for two 2-pole QR twin mounted	na	na	See BBKQRP2FK or BBKQR2
	11-D-4565-01	11-D-4565	2	P3 QR Deadfront Filler, Plastic snap-in for 2-pole or 3-pole QR opening	tbd - in process	tbd	P2 QR Deadfront Filler, Plastic snap-in for P2, Vertical mount Main position. - currently only in BBKQRP1FK with other parts, new kit planned to be offered with this part only
	12-6812-34	12-6812	1	P3 QR blank filler plate - steel w/o hardware	na	na	See BBKQRP2FK or BBKQR2
	11-A-1869-01	11-A-1869	2	Narrow 350 kcmil Lug used in P2/P3 neutrals and other locations.	BNK350N	1 kit	Narrow 350 kcmil Lug w/2 mounting screws
	11-D-3284-01	11-D-3284	1	P3 Deadfront plate for two 3-pole QR twin mounted	na	na	See BBKQRP2FK or BBKQR2
	11-1553-09	11-1553	8	Screw: 1/4-20 X 1" ISHWHSW Indented Slotted Hex Washer Head Screw	na	na	Hardware item: check with customer support
	11-1512-02	11-1512	8	Screw: 8-32 X 9/32" IHWSHW, Indented Hex Washer-Head Screw	na	na	Hardware item: check with customer support
	11-1542-13	11-1542	4	Screw: 1/4-20x2.50" SRHMS, Slotted Round Head Machine Screw	na	na	Hardware item: check with customer support
	11-1553-07	11-1553	4	Screw: 1/4-20 X 0.75" ISHWHSW Indented Slotted Hex Washer Head Screw	na	na	Hardware item: check with customer support
	11-1630-02	11-1630	2	Bolt: replaced with 32-1506-C01 (#10-24 .625" round head share neck carriage bolt)	na	na	Hardware item: check with customer support (see 32-1506-C01)
	11-1821-02	11-1821	2	Nut: 10-24 PALNUT Spring-steel	na	na	Hardware item: check with customer support
	11-1553-06	11-1553	6	Screw: 1/4-20 X 5/8" ISHWHSW Indented Slotted Hex Washer Head Screw	na	na	Hardware item: check with customer support
	11-A-1132-01	11-A-1132-01	1	BBKQR2 Instruction sheet, P3 QR Twin Mount Branch Strap Kit	See online Kit instruction sheets when needed		
BBKVA52P3T	11-D-2764-01	11-D-2764-01	1 kit	P3 Twin Mount 3VA52 250A max. Strap Kit for Field installation. Mounts two 3VA52 breakers in 6" of unit space Nose-to-Nose. Includes two BBKVA52P3HW kits, one for each breaker.	BBKVA52P3T	1 kit	P3 Twin Mount 3VA52 250A max. Strap Kit for Field installation. Mounts two 3VA52 breakers in 6" of unit space Nose-to-Nose. Includes two BBKVA52P3HW kits, one for each breaker.
	11-D-4585-01	11-D-4585	1	P3 3VA52 250A max. Top Barrier	na	na	See BBKVA52P3T
	11-D-3975-01	11-D-3975	2	P3 3VA52 Twin Mount Strap A/C phase, CU tin plated	na	na	See BBKVA52P3T

Addendum C

P2/P3 Strap kits and related parts

Distributor Kit # ref.	Base Part/ Assembly Reference #	Drawing # Ref	Kit Qty.	Kit or Part Description with additional info	Distributor Kit #	Dist Pack Qty.	Distributor Pack Description or additional info
	11-D-3977-01	11-D-3977	1	P3 3VA52 Twin Mount Strap B-phase, CU tin plated	na	na	See BBKVA52P3T
	11-D-3313-01	11-D-3313	1	P3 3VA52 Deadfront Cover Plate	na	na	See BBKVA52P3T
	11-A-1869-01	11-A-1869	2	Narrow 350 kcmil Lug used in P2/P3 neutrals and other locations.	BNK350N	1 kit	Narrow 350 kcmil Lug w/2 mounting screws
	11-D-3314-01	11-D-3314	2	P3 3VA52 Deadfront Blank Filler, steel plate	na	na	See BBKVA52P3T
	15-A-1066-01	15-A-1066	2	Label: P3 3VA52 specific Provision label - provides required info for customer to require BBKVA52P3HW kit when field installing Breakers into the Provision Space.	na	na	See BBKVA52P3T
	11-1512-03	11-1512	6	Screw: 8-32 X 3/8" IHWHWSW, Indented Hex Washer-Head Screw	na	na	Hardware item: check with customer support
	11-1553-09	11-1553	6	Screw: 1/4-20 X 1" ISHWHWSW Indented Slotted Hex Washer Head Screw	na	na	Hardware item: check with customer support
	11-1553-07	11-1553	4	Screw: 1/4-20 X 0.75" ISHWHWSW Indented Slotted Hex Washer Head Screw	na	na	Hardware item: check with customer support
	11-1630-02	11-1630	4	Bolt: replaced with 32-1506-C01 (#10-24 .625" round head share neck carriage bolt)	na	na	Hardware item: check with customer support (see 32-1506-C01)
	11-1821-02	11-1821	4	Nut: 10-24 PALNUT Spring-steel	na	na	Hardware item: check with customer support
	11-A-1167-01	11-A-1167-01	1	BBKVA52P3T Instruction Sheet for Strap Kit to mount 3VA52 breaker in P3 panel Nose-to-Nose	See online Kit instruction sheets when needed		
	BBKVA52P3HW	11-D-2763-01	2 kits	3VA52 Twin Mount P3 - Hardware Kit, one kit per breaker needed. Two are included with Strap kit BBKVA52P3T	BBKVA52P3HW	1 kit	3VA52 Twin Mount P3 - Hardware Kit, one kit per breaker needed. Two are included with Strap kit BBKVA52P3T
BBKVA52P3HW	11-D-2763-01	11-D-2763-01	1 kit	3VA52 Twin Mount P3 - Hardware Kit, one kit per breaker needed. Two are included with Strap kit BBKVA52P3T	BBKVA52P3HW	1 kit	3VA52 Twin Mount P3 - Hardware Kit, one kit per breaker needed. Two are included with Strap kit BBKVA52P3T
	11-1502-19	11-1502	2	Screw: 8-32x3.25" Slotted Machine Screw, SRHMS	na	na	Hardware item: check with customer support - Special screw for 3VA52 Twin Mount in a P3 See BBKVA52P3HW
	11-A-1533-01	11-A-1533	3	Screw: 5/16-18 x 0.75" Socket Head Cap Screw, SEMS with captive conical washer	na	na	Hardware item: check with customer support- Special screw for 3VA52 Twin Mount in a P3 See BBKVA52P3HW
	11-D-4584-01	11-D-4584	3	3VA52 Screw retainer only required for P3 Nose-to-Nose Twin mounting	na	na	See BBKVA52P3HW
	11-A-1166-01	11-A-1166-01	1	BBKVA52P3HW Instruction Sheet for Hardware Kit to mount 3VA52 breaker in P3 panel Nose-to-Nose	See online Kit instruction sheets when needed		
BK2	11-A-2125-01	11-A-2125-01	1	Bonding Kit for S1/S2/SE Panels including Service Disconnect Label	BK2	1 kit	Bonding Kit for S1/S2/SE Panels including Service Disconnect Label
	11-A-3550-01	11-A-3550	1	Neutral Bonding angle, Copper, S1/S2 interiors	na	na	na
	11-A-3549-01	11-A-3549	1	Neutral Bonding angle, Copper, SE interiors	na	na	na
	11-1626-01	11-1626	1	Nut: 5/16-18 Bellville Washer Nut	na	na	Hardware item: check with customer support
	11-1533-03	11-1533	1	Screw: 10-32 x 3/8" Hex Washer Head Screw	na	na	Hardware item: check with customer support
	11-1003-01	11-1003-01	6	Label: "Service Disconnect", for general use, 1.5"x.75"	na	na	Generally included in most bonding kits and with many Service Entrance Interiors, plus other applications.
	11-A-1053-01	11-A-1053	1	BK2 Instructions for S1/S2/SE Panel Bond Kit	See online Kit instruction sheets when needed		

Addendum C

P2/P3 Strap kits and related parts

Distributor Kit # ref.	Base Part/ Assembly Reference #	Drawing # Ref	Kit Qty.	Kit or Part Description with additional info	Distributor Kit #	Dist Pack Qty.	Distributor Pack Description or additional info
BK3	11-A-2084-01	11-A-2084-01	1	Bonding Kit for S3 Horizontal and Vertical Mains	BK3	1 kit	Bonding Kit for S3 Horizontal and Vertical Mains
	11-A-4034-01	11-A-4034	1	Bonding Strap, Copper, MLO/Vertical MB Series 7 - S3 panel	na	na	na
	11-A-4035-01	11-A-4035	1	Bonding Strap, Copper, Horizontal MB Series 7 - S3 panel	na	na	na
	11-1512-02	11-1512	3	Screw: 8-32 X 9/32" IHWHWSW, Indented Hex Washer-Head Screw	na	na	Hardware item: check with customer support
	11-A-1809-01	11-A-1809	1	Screw: 10-24 x 0.3125" Hex Washer Head Screw	na	na	Hardware item: check with customer support
	11-1003-01	11-1003-01	12	Label: "Service Disconnect", for general use, 1.5"x.75"	na	na	Generally included in most bonding kits and with many Service Entrance Interiors, plus other applications.
	11-A-1013-01	11-A-1013	1	BK3 Instructions for S3 Panel Bond Kit	See online Kit instruction sheets when needed		
EMLKA3	12-A-2145-04	12-A-2145-04	1 kit	S1/S2/SE Main Lug Kit, 3-Phase, 250A max. (also use for 1-Phase applications)	EMLKA3	1 kit	S1/S2/SE Main Lug Kit, 3-Phase, 250A max. (also use for 1-Phase applications)
	11-1852-01	11-1852	1	Lug, 350 kcmil Max. Connector Assembly, Aluminum or Copper cable, 0.406" dia. mounting hole in flange. Reference CMC AB-350-S	na	na	Used in many applications, P2/P3/ P4/P5 also older S1/S2/SE panels.
	11-1580-02	11-1580	1	Screw: Carriage Bolt, 3/8-16 x 1.00" RHSNB, Grade 5, Full thread	na	na	Hardware item: check with customer support
	11-1622-01	11-1622	1	Nut: Belleville Washer Nut, 3/8-16	na	na	Hardware item: check with customer support
	11-1058-01	11-1058-01	1	Label: "Main Lug 125 Amps", 1.0" x 2.0"	na	na	General use label used for most applications that need 125A Main Lug label.
	11-1059-01	11-1059-01	1	Label: "Main Lug 250 Amps", 1.0" x 2.0"	na	na	General use label used for most applications that need 250A Main Lug label.
	11-D-4560-01	11-D-4560-01	1	P1 (original and revised) Blank filler plate, 250A Main/Subfeed opening, also used in many other applications. (Installs Vertical for 400A Main)	DFFP01A	1 kit	P1 Main Blank Filler Plate - 1 Piece (use for Original or Revised P1 - also replaces 12-A-1801-01) (Vertical for 400A Main)
	12-A-1021-01	12-A-1021	1	Instruction Sheet for installing EMLKA1 and EMLKA3 kits for S1/S2/SE panels, 250A max.	See online Kit instruction sheets when needed		
SMBKED1	12-A-2157-03	12-A-2157-03	1 kit	ED 1-Phase Main/Sub-feed Strap Kit, Copper straps with hardware, Neutral Lug and filler. (works with S1/S2 400-600A and all SE panels)	SMBKED1	1 kit	ED 1-Phase Main/Sub-feed Strap Kit, Copper straps with hardware, Neutral Lug and filler. (works with S1/S2 400-600A and all SE panels)
	11-A-2080-01	11-A-2080	1	Original P1, ED Breaker Support, 1PH & 3PH (also works with S1/S2 250A PB)	na	na	See (S)MBKED1 and (S)MBKED3 Kit
	13-A-4512-01	13-A-4512	1	Original P1 Main Barrier ED Main/Subfeed (Clamshell), 1PH or 3PH	na	na	See (S)MBKED1 and (S)MBKED3 Kit
	11-A-3536-01	11-A-3536	1	S1/S2/SE 1-Phase ED Connector Strap - 0.25" CU, not Plated	na	na	See SMBKED1 Kit
	11-A-3537-01	11-A-3537	1	S1/S2/SE ED Short Connector Strap - 0.25" CU, not Plated	na	na	See SMBKED1 or SMBKED3 Kit
	11-1852-01	11-1852	1	Lug, 350 kcmil Max. Connector Assembly, Aluminum or Copper cable, 0.406" dia. mounting hole in flange. Reference CMC AB-350-S	na	na	Used in many applications, P2/P3/ P4/P5 also older S1/S2/SE panels.
	12-A-1802-01	12-A-1802	1	P1 Main Filler 100-125A frames ED, BL/BQD or xGB (use for Original or Revised P1 and other applications)	DFFPED01	1 kit	P1 Main Filler 100-125A frames ED, BL/BQD or xGB (use for Original or Revised P1 and other applications)
	11-1150-01	11-1150	1	Label: "MAIN", used many places in all Panelboards and Swbds where Main must be marked.	na	na	Generally included in most Main Breaker kits and with MB interiors.

Addendum C

P2/P3 Strap kits and related parts

Distributor Kit # ref.	Base Part/ Assembly Reference #	Drawing # Ref	Kit Qty.	Kit or Part Description with additional info	Distributor Kit #	Dist Pack Qty.	Distributor Pack Description or additional info
	11-D-4554-01	11-D-4554	1	DFFP1 Blank filler , 1 inch snap-in, replaced old QF3 in Systems Products. Ref. old #12-1800-01	DFFP1	1 piece	DFFP1 Filler Plate for BL/BQD/ED/xGB in PNLBD & SWBD deadfronts, plus many other locations. (sold by the piece - packed 100 per carton)
	11-A-1505-02	11-A-1505	2	Screw: 10-32 x0.375" Slotted Hex Washer Head SEMS	na	na	Hardware item: check with customer support
	11-1553-09	11-1553	2	Screw: 1/4-20 X 1" ISHWHSW Indented Slotted Hex Washer Head Screw	na	na	Hardware item: check with customer support
	11-A-1506-02	11-A-1506	2	Screw: 10-32 x0.25" Slotted Hex Washer Head	na	na	Hardware item: check with customer support
	11-1580-02	11-1580	2	Screw: Carriage Bolt, 3/8-16 x 1.00" RHSNB, Grade 5, Full thread	na	na	Hardware item: check with customer support
	11-1622-01	11-1622	1	Nut: Belleville Washer Nut, 3/8-16	na	na	Hardware item: check with customer support
	11-A-3145-01	11-A-3145	1	S1/S2/SE MB filler Plate, 10.5"x10.5" 16 GA Steel, one cutout, Painted ANSI 61 light Grey	na	na	See SMBKED1 or SMBKDE3 Kit
	11-1512-02	11-1512	4	Screw: 8-32 X 9/32" IHWHWSW, Indented Hex Washer-Head Screw	na	na	Hardware item: check with customer support
	12-A-1015-01	12-A-1015	1	SMBKED1 Instructions 1-Phase ED Strap Kit for S1/S2 (400-600A) and all SE panels only.	See online Kit instruction sheets when needed		
SMBKED3	12-A-2157-04	12-A-2157-04	1 kit	ED 3-Phase Main/Sub-feed Strap Kit, Copper straps with hardware, Neutral Lug and filler. (works with S1/S2 400-600A and all SE panels)	SMBKED3	1 kit	ED 3-Phase Main/Sub-feed Strap Kit, Copper straps with hardware, Neutral Lug and filler. (works with S1/S2 400-600A and all SE panels)
	11-A-2080-01	11-A-2080	1	Original P1, ED Breaker Support, 1PH & 3PH (also works with S1/S2 250A PB)	na	na	See (S)MBKED1 and (S)MBKED3 Kit
	13-A-4512-01	13-A-4512	1	Original P1 Main Barrier ED Main/Subfeed (Clamshell), 1PH or 3PH	na	na	See (S)MBKED1 and (S)MBKED3 Kit
	11-A-3539-01	11-A-3539	1	S1/S2/SE ED Long Connector Strap - 0.25" CU, not Plated	na	na	See SMBKED3 Kit
	11-A-3538-01	11-A-3538	1	S1/S2/SE ED Center Connector Strap - 0.25" CU, not Plated	na	na	See SMBKED3 Kit
	11-A-3537-01	11-A-3537	1	S1/S2/SE ED Short Connector Strap - 0.25" CU, not Plated	na	na	See SMBKED1 or SMBKDE3 Kit
	11-1852-01	11-1852	1	Lug, 350 kcmil Max. Connector Assembly, Aluminum or Copper cable, 0.406" dia. mounting hole in flange. Reference CMC AB-350-S	na	na	Used in many applications, P2/P3/P4/P5 also older S1/S2/SE panels.
	12-A-1802-01	12-A-1802	1	P1 Main Filler 100-125A frames ED, BL/BQD or xGB (use for Original or Revised P1 and other applications)	DFFPED01	1 kit	P1 Main Filler 100-125A frames ED, BL/BQD or xGB (use for Original or Revised P1 and other applications)
	11-1150-01	11-1150	1	Label: "MAIN", used many places in all Panelboards and Swbds where Main must be marked.	na	na	Generally included in most Main Breaker kits and with MB interiors.
	11-D-4554-01	11-D-4554	1	DFFP1 Blank filler , 1 inch snap-in, replaced old QF3 in Systems Products. Ref. old #12-1800-01	DFFP1	1 piece	DFFP1 Filler Plate for BL/BQD/ED/xGB in PNLBD & SWBD deadfronts, plus many other locations. (sold by the piece - packed 100 per carton)
	11-A-1505-02	11-A-1505	3	Screw: 10-32 x0.375" Slotted Hex Washer Head SEMS	na	na	Hardware item: check with customer support
	11-1553-09	11-1553	3	Screw: 1/4-20 X 1" ISHWHSW Indented Slotted Hex Washer Head Screw	na	na	Hardware item: check with customer support
	11-A-1506-02	11-A-1506	2	Screw: 10-32 x0.25" Slotted Hex Washer Head	na	na	Hardware item: check with customer support
	11-1580-02	11-1580	1	Screw: Carriage Bolt, 3/8-16 x 1.00" RHSNB, Grade 5, Full thread	na	na	Hardware item: check with customer support
	11-1622-01	11-1622	1	Nut: Belleville Washer Nut, 3/8-16	na	na	Hardware item: check with customer support
	11-A-3145-01	11-A-3145	1	S1/S2/SE MB filler Plate, 10.5"x10.5" 16 GA Steel, one cutout, Painted ANSI 61 light Grey	na	na	See SMBKED1 or SMBKDE3 Kit
	11-1512-02	11-1512	4	Screw: 8-32 X 9/32" IHWHWSW, Indented Hex Washer-Head Screw	na	na	Hardware item: check with customer support
	12-A-1024-01	12-A-1024	1	SMBKED3 Instructions 3-Phase ED Strap Kit for S1/S2 (400-600A) and all SE panels only.	See online Kit instruction sheets when needed		

Addendum C

P2/P3 Strap kits and related parts

Distributor Kit # ref.	Base Part/ Assembly Reference #	Drawing # Ref	Kit Qty.	Kit or Part Description with additional info	Distributor Kit #	Dist Pack Qty.	Distributor Pack Description or additional info
SMBKFD1	12-A-2156-03	12-A-2156-00	1 kit	FD 1-Phase Main/Sub-feed Strap Kit, Unplated Copper straps with hardware, Neutral Lug and filler. (works with S1/S2 400-600A and all SE panels)	SMBKFD1	1 kit	FD 1-Phase Main/Sub-feed Strap Kit, Unplated Copper straps with hardware, Neutral Lug and filler. (works with S1/S2 400-600A and all SE panels)
	11-A-3111-01	11-A-3111	1	Original P1, FD Breaker Mounting Plate, 12 GA steel	na	na	See MBKFD1 and MBKFD3 Kit
	13-A-4510-01	13-A-4510	1	Original P1 Main Barrier FD Main/Subfeed (Clamshell), 1PH or 3PH	na	na	See MBKFD1 and MBKFD3 Kit
	11-A-3531-01	11-A-3531	1	S1/S2/SE FD Long Connector Strap - 0.25" CU, not Plated	na	na	See SMBKFD1 or SMBKFD3 Kit
	11-A-3529-01	11-A-3529	1	S1/S2/SE FD Short Connector Strap - 0.25" CU, not Plated	na	na	See SMBKFD1 or SMBKFD3 Kit
	11-1852-01	11-1852	1	Lug, 350 kcmil Max. Connector Assembly, Aluminum or Copper cable, 0.406" dia. mounting hole in flange. Reference CMC AB-350-S	na	na	Used in many applications, P2/P3/ P4/P5 also older S1/S2/SE panels.
	12-A-1803-01	12-A-1803	1	FD Main Filler Plate for 1-Ph and 3-Ph P1 Panels (use for Original or Revised P1 and other applications)	DFFPFD01	1 kit	FD Main Filler Plate for 1-Ph and 3-Ph P1 Panels (use for Original or Revised P1 and other applications)
	11-1150-01	11-1150	1	Label: "MAIN", used many places in all Panelboards and Swbds where Main must be marked.	na	na	Generally included in most Main Breaker kits and with MB interiors.
	11-A-1508-08	11-A-1508	2	Screw: 1/4-20 x0.875" Slotted Hex Washer Head SIMS	na	na	Hardware item: check with customer support
	11-1553-09	11-1553	2	Screw: 1/4-20 X 1" ISHWHSW Indented Slotted Hex Washer Head Screw	na	na	Hardware item: check with customer support
	11-1542-19	11-1542	2	Screw: 1/4-20 X 4.00" SRHMS Slotted Round Head Machine Screw	na	na	Hardware item: check with customer support
	11-A-1506-02	11-A-1506	2	Screw: 10-32 x0.25" Slotted Hex Washer Head	na	na	Hardware item: check with customer support
	11-1580-02	11-1580	1	Screw: Carriage Bolt, 3/8-16 x 1.00" RHSNB, Grade 5, Full thread	na	na	Hardware item: check with customer support
	11-1622-01	11-1622	1	Nut: Belleville Washer Nut, 3/8-16	na	na	Hardware item: check with customer support
	11-A-3145-01	11-A-3145	1	S1/S2/SE MB filler Plate, 10.5"x10.5" 16 GA Steel, one cutout, Painted ANSI 61 light Grey	na	na	See SMBKED1 or SMBKDE3 Kit
	11-1512-02	11-1512	4	Screw: 8-32 X 9/32" IHWHSW, Indented Hex Washer-Head Screw	na	na	Hardware item: check with customer support
	12-A-1014-01	12-A-1014	1	SMBKFD1 Instructions 1-Phase FD Strap Kit for S1/S2 (400-600A) and all SE panels only.	See online Kit instruction sheets when needed		
SMBKFD3	12-A-2156-04	12-A-2156-00	1 kit	FD 3-Phase Main/Sub-feed Strap Kit, Unplated Copper straps with hardware, Neutral Lug and filler. (works with S1/S2 400-600A and all SE panels)	SMBKFD3	1 kit	FD 3-Phase Main/Sub-feed Strap Kit, Unplated Copper straps with hardware, Neutral Lug and filler. (works with S1/S2 400-600A and all SE panels)
	11-A-3111-01	11-A-3111	1	Original P1, FD Breaker Mounting Plate, 12 GA steel	na	na	See MBKFD1 and MBKFD3 Kit
	13-A-4510-01	13-A-4510	1	Original P1 Main Barrier FD Main/Subfeed (Clamshell), 1PH or 3PH	na	na	See MBKFD1 and MBKFD3 Kit
	11-A-3531-01	11-A-3531	1	S1/S2/SE FD Long Connector Strap - 0.25" CU, not Plated	na	na	See SMBKFD1 or SMBKFD3 Kit
	11-A-3530-01	11-A-3530	1	S1/S2/SE FD Center Connector Strap - 0.25" CU, not Plated	na	na	See SMBKFD3 Kit
	11-A-3529-01	11-A-3529	1	S1/S2/SE FD Short Connector Strap - 0.25" CU, not Plated	na	na	See SMBKFD1 or SMBKFD3 Kit
	11-1852-01	11-1852	1	Lug, 350 kcmil Max. Connector Assembly, Aluminum or Copper cable, 0.406" dia. mounting hole in flange. Reference CMC AB-350-S	na	na	Used in many applications, P2/P3/ P4/P5 also older S1/S2/SE panels.
	12-A-1803-01	12-A-1803	1	FD Main Filler Plate for 1-Ph and 3-Ph P1 Panels (use for Original or Revised P1 and other applications)	DFFPFD01	1 kit	FD Main Filler Plate for 1-Ph and 3-Ph P1 Panels (use for Original or Revised P1 and other applications)

Addendum C

P2/P3 Strap kits and related parts

Distributor Kit # ref.	Base Part/ Assembly Reference #	Drawing # Ref	Kit Qty.	Kit or Part Description with additional info	Distributor Kit #	Dist Pack Qty.	Distributor Pack Description or additional info
	11-1150-01	11-1150	1	Label: "MAIN", used many places in all Panelboards and Swbds where Main must be marked.	na	na	Generally included in most Main Breaker kits and with MB interiors.
	11-A-1508-08	11-A-1508	3	Screw: 1/4-20 x0.875" Slotted Hex Washer Head SIMS	na	na	Hardware item: check with customer support
	11-1553-09	11-1553	3	Screw: 1/4-20 X 1" ISHWHWS Indented Slotted Hex Washer Head Screw	na	na	Hardware item: check with customer support
	11-1542-19	11-1542	2	Screw: 1/4-20 X 4.00" SRHMS Slotted Round Head Machine Screw	na	na	Hardware item: check with customer support
	11-A-1506-02	11-A-1506	2	Screw: 10-32 x0.25" Slotted Hex Washer Head	na	na	Hardware item: check with customer support
	11-1580-02	11-1580	1	Screw: Carriage Bolt, 3/8-16 x 1.00" RHSNB, Grade 5, Full thread	na	na	Hardware item: check with customer support
	11-1622-01	11-1622	1	Nut: Belleville Washer Nut, 3/8-16	na	na	Hardware item: check with customer support
	11-A-3145-01	11-A-3145	1	S1/S2/SE MB filler Plate, 10.5"x10.5" 16 GA Steel, one cutout, Painted ANSI 61 light Grey	na	na	See SMBKED1 or SMBKDE3 Kit
	11-1512-02	11-1512	4	Screw: 8-32 X 9/32" IHWHWS, Indented Hex Washer-Head Screw	na	na	Hardware item: check with customer support
	12-A-1023-01	12-A-1023	1	SMBKED3 Instructions 3-Phase FD Strap Kit for S1/S2 (400-600A) and all SE panels only.	See online Kit instruction sheets when needed		
SMBKJD1	12-A-2141-03	12-A-2141-03	1 kit	JD 1-Phase Main/Sub-feed Strap Kit, Unplated Copper straps (2-part taped straps) with hardware, Neutral Lug and filler. (works with S1/S2 400-600A and all SE panels)	SMBKJD1	1 kit	JD 1-Phase Main/Sub-feed Strap Kit, Unplated Copper straps (2-part taped straps) with hardware, Neutral Lug and filler. (works with S1/S2 400-600A and all SE panels)
	11-A-3144-01	11-A-3144	1	S1/S2/SE JD/LD Main/Subfeed Breaker Mounting Bracket, 12 GA steel. Galvanized	na	na	See SMBKJD1, SMBKJD3 and SMBKLD3 Kit
	11-A-4540-01	11-A-4540	1	S1/S2/SE JD/LD Main/Subfeed Breaker Mounting Barrier, Formex .040" Thick	na	na	See SMBKJD1, SMBKJD3 and SMBKLD3 Kit
	11-A-3546-01	11-A-3546	1	S1/S2/SE JD/LD Long Connector Strap, Outside part for 2-part Assembly - 0.25" CU, not Plated	na	na	See SMBKJD1, SMBKJD3 and SMBKLD3 Kit
	11-A-3546-02	11-A-3546	1	S1/S2/SE JD/LD Long Connector Strap, Inside part for 2-part Assembly - 0.25" CU, not Plated	na	na	See SMBKJD1, SMBKJD3 and SMBKLD3 Kit
	11-A-3544-01	11-A-3544	1	S1/S2/SE JD/LD Short Connector Strap, Outside part for 2-part Assembly - 0.25" CU, not Plated	na	na	See SMBKJD1, SMBKJD3 and SMBKLD3 Kit
	11-A-3544-02	11-A-3544	1	S1/S2/SE JD/LD Short Connector Strap, Inside part for 2-part Assembly - 0.25" CU, not Plated	na	na	See SMBKJD1, SMBKJD3 and SMBKLD3 Kit
	11-A-3143-01	11-A-3143	1	S1/S2/SE JD/LD Main/Subfeed Filler Plate, 16 GA steel. Painted ANSI 61 Light Grey	na	na	See SMBKJD1, SMBKJD3 and SMBKLD3 Kit
	11-1150-01	11-1150	1	Label: "MAIN", used many places in all Panelboards and Swbds where Main must be marked.	na	na	Generally included in most Main Breaker kits and with MB interiors.
	11-A-1805-01	11-A-1805	1	500 kcmil max., 2 hole Connector/Lug, side-by-side. Each hole can also accept up to two 400kcmil AL cables as well) 2.562"W x3.812"L x 2.0"H, AL body, AL/CU cable. Ref. CMC # 2AB-500-1 (1-conductor range #4-500kcmil)	na	na	See S1/S2/SE SMxxxx lug kits and others. Typically used in many 400-600A neutral connections and other general use locations.
	11-1580-04	11-1580	1	Screw: Carriage Bolt, 3/8-16 x 1.50" RHSNB, Grade 5, Min. 0.75" thread	na	na	Hardware item: check with customer support
	11-1586-07	11-1586	1	Screw: 3/8-16x1.25" HHMS, Hex Head Machine Screw	na	na	Hardware item: check with customer support
	11-1648-02	11-1648	1	Rivet: PLASTIC TREE RIVET	na	na	Hardware item: check with customer support
	11-A-1506-02	11-A-1506	1	Screw: 10-32 x0.25" Slotted Hex Washer Head	na	na	Hardware item: check with customer support

Addendum C

P2/P3 Strap kits and related parts

Distributor Kit # ref.	Base Part/ Assembly Reference #	Drawing # Ref	Kit Qty.	Kit or Part Description with additional info	Distributor Kit #	Dist Pack Qty.	Distributor Pack Description or additional info
	11-1542-13	11-1542	3	Screw: 1/4-20x2.50" SRHMS, Slotted Round Head Machine Screw	na	na	Hardware item: check with customer support
	11-1622-01	11-1622	3	Nut: Belleville Washer Nut, 3/8-16	na	na	Hardware item: check with customer support
	11-1580-03	11-1580	2	Screw: Carriage Bolt, 3/8-16 x 1.25" RHSNB, Grade 5, Min. 0.75" thread	na	na	Hardware item: check with customer support
	11-A-1833-01	11-A-1833	2	JD/LD Main Breaker Protective Edging	na	na	See SMBKJD1, SMBKJD3 and SMBKLD3 Kit
	11-1618-05	11-1618	1	Washer: 3/8" Helical Spring Lock washer, .382"x.683"x.094"	na	na	Hardware item: check with customer support
	11-1615-07	11-1615	1	Washer: Type A Plain 3/8" Narrow, .406"x.812"x.065"	na	na	Hardware item: check with customer support
	11-1512-02	11-1512	1	Screw: 8-32 X 9/32" IHWSW, Indented Hex Washer-Head Screw	na	na	Hardware item: check with customer support
	12-A-1017-01	12-A-1017-01	1	SMBKJD1 Instructions 1-Phase FD Strap Kit for S1/S2 (400-600A) and all SE panels only.	See online Kit instruction sheets when needed		
SMBKJD3	12-A-2141-04	12-A-2141-04	1 kit	JD/LD 3-Phase Main/Sub-feed Strap Kit, Unplated Copper straps (2-part taped straps) with hardware, Neutral Lug and filler. (works with S1/S2 400-600A and all SE panels)	SMBKJD3	1 kit	JD/LD 3-Phase Main/Sub-feed Strap Kit, Unplated Copper straps (2-part taped straps) with hardware, Neutral Lug and filler. (works with S1/S2 400-600A and all SE panels)
	11-A-3144-01	11-A-3144	1	S1/S2/SE JD/LD Main/Subfeed Breaker Mounting Bracket, 12 GA steel. Galvanized	na	na	See SMBKJD1, SMBKJD3 and SMBKLD3 Kit
	11-A-4540-01	11-A-4540	1	S1/S2/SE JD/LD Main/Subfeed Breaker Mounting Barrier, Formex .040" Thick	na	na	See SMBKJD1, SMBKJD3 and SMBKLD3 Kit
	11-A-3546-01	11-A-3546	1	S1/S2/SE JD/LD Long Connector Strap, Outside part for 2-part Assembly - 0.25" CU, not Plated	na	na	See SMBKJD1, SMBKJD3 and SMBKLD3 Kit
	11-A-3546-02	11-A-3546	1	S1/S2/SE JD/LD Long Connector Strap, Inside part for 2-part Assembly - 0.25" CU, not Plated	na	na	See SMBKJD1, SMBKJD3 and SMBKLD3 Kit
	11-A-3544-01	11-A-3544	1	S1/S2/SE JD/LD Short Connector Strap, Outside part for 2-part Assembly - 0.25" CU, not Plated	na	na	See SMBKJD1, SMBKJD3 and SMBKLD3 Kit
	11-A-3544-02	11-A-3544	1	S1/S2/SE JD/LD Short Connector Strap, Inside part for 2-part Assembly - 0.25" CU, not Plated	na	na	See SMBKJD1, SMBKJD3 and SMBKLD3 Kit
	11-A-3545-01	11-A-3545	1	S1/S2/SE JD/LD Center Connector Strap, Outside part for 2-part Assembly - 0.25" CU, not Plated	na	na	See SMBKJD3 and SMBKLD3 Kit
	11-A-3545-02	11-A-3545	1	S1/S2/SE JD/LD Center Connector Strap, Inside part for 2-part Assembly - 0.25" CU, not Plated	na	na	See SMBKJD3 and SMBKLD3 Kit
	11-A-3143-01	11-A-3143	1	S1/S2/SE JD/LD Main/Subfeed Filler Plate, 16 GA steel. Painted ANSI 61 Light Grey	na	na	See SMBKJD1, SMBKJD3 and SMBKLD3 Kit
	11-1150-01	11-1150	1	Label: "MAIN", used many places in all Panelboards and Swbds where Main must be marked.	na	na	Generally included in most Main Breaker kits and with MB interiors.
	11-A-1805-01	11-A-1805	1	500 kcmil max., 2 hole Connector/Lug, side-by-side. Each hole can also accept up to two 400kcmil AL cables as well) 2.562"W x3.812"L x 2.0"H, AL body, AL/CU cable. Ref. CMC # 2AB-500-1 (1-conductor range #4-500kcmil	na	na	See S1/S2/SE SMxxxx lug kits and others. Typically used in many 400-600A neutral connections and other general use locations.
	11-1580-04	11-1580	1	Screw: Carriage Bolt, 3/8-16 x 1.50" RHSNB, Grade 5, Min. 0.75" thread	na	na	Hardware item: check with customer support
	11-1586-07	11-1586	1	Screw: 3/8-16x1.25" HHMS, Hex Head Machine Screw	na	na	Hardware item: check with customer support
	11-1648-02	11-1648	1	Rivet: PLASTIC TREE RIVET	na	na	Hardware item: check with customer support
	11-A-1506-02	11-A-1506	1	Screw: 10-32 x0.25" Slotted Hex Washer Head	na	na	Hardware item: check with customer support

Addendum C

P2/P3 Strap kits and related parts

Distributor Kit # ref.	Base Part/ Assembly Reference #	Drawing # Ref	Kit Qty.	Kit or Part Description with additional info	Distributor Kit #	Dist Pack Qty.	Distributor Pack Description or additional info
	11-1542-13	11-1542	3	Screw: 1/4-20x2.50" SRHMS, Slotted Round Head Machine Screw	na	na	Hardware item: check with customer support
	11-1622-01	11-1622	3	Nut: Belleville Washer Nut, 3/8-16	na	na	Hardware item: check with customer support
	11-1580-03	11-1580	2	Screw: Carriage Bolt, 3/8-16 x 1.25" RHSNB, Grade 5, Min. 0.75" thread	na	na	Hardware item: check with customer support
	11-A-1833-01	11-A-1833	2	JD/LD Main Breaker Protective Edging	na	na	See SMBKJD1, SMBKJD3 and SMBKLD3 Kit
	11-1618-05	11-1618	1	Washer: 3/8" Helical Spring Lock washer, .382"x.683"x.094"	na	na	Hardware item: check with customer support
	11-1615-07	11-1615	1	Washer: Type A Plain 3/8" Narrow, .406"x.812"x.065"	na	na	Hardware item: check with customer support
	11-1512-02	11-1512	1	Screw: 8-32 X 9/32" IHWSHW, Indented Hex Washer-Head Screw	na	na	Hardware item: check with customer support
	12-A-1026-01	12-A-1026-01	1	SMBKJD3 and SMBKLD3 Instructions, 3-Phase JD or LD Strap Kit for S1/S2 (400-600A) and all SE panels only.	See online Kit instruction sheets when needed		
SMBKQJ3	12-A-2142-08	12-A-2142-08	1 kit	QJ 3-Phase Sub-feed only Strap Kit, Allows for one or two QJ breakers in sub-feed position only. Unplated Copper straps with hardware, Neutral Lug and filler. (works with S1/S2 400-600A and all SE panels) Will not work with QR breakers.	SMBKQJ3	1 kit	QJ 3-Phase Sub-feed only Strap Kit, Allows for one or two QJ breakers in sub-feed position only. Unplated Copper straps with hardware, Neutral Lug and filler. (works with S1/S2 400-600A and all SE panels) Will not work with QR breakers.
	11-A-3110-01	11-A-3110	1	Breaker Mounting Plate - QR/QJ Strap kits	na	na	See MBKQR1 and MBKQR3 Kit
	13-A-4511-01	13-A-4511	1	QR/QJ Main/Subfeed Strap kit barrier	na	na	See MBKQR1 and MBKQR3 Kit
	11-A-3535-01	11-A-3535	1	S1/S2/SE QJ Long Connector Strap - 0.25" CU, not Plated	na	na	See SMBKQJ3 Kit
	11-A-3534-01	11-A-3534	1	S1/S2/SE QJ Center Connector Strap - 0.25" CU, not Plated	na	na	See SMBKQJ3 Kit
	11-A-3533-01	11-A-3533	1	S1/S2/SE QJ Short Connector Strap - 0.25" CU, not Plated	na	na	See SMBKQJ1 and SMBKQJ3 Kit
	11-1852-01	11-1852	1	Lug, 350 kcmil Max. Connector Assembly, Aluminum or Copper cable, 0.406" dia. mounting hole in flange. Reference CMC AB-350-S	na	na	Used in many applications, P2/P3/P4/ P5 also older S1/S2/SE panels.
	12-A-1804-01	12-A-1804	1	QJ Main Filler Plate for 3-Phase (3-pole) P1 Panels (use for Original or Revised P1 and other applications)	DFFPQJ01	1 kit	QJ Main Filler Plate for 3-Phase (3-pole) P1 Panels (use for Original or Revised P1 and other applications)
	11-A-3145-02	11-A-3145	1	S1/S2/SE MB filler Plate, 10.5"x10.5" 16 GA Steel, two cutouts, Painted ANSI 61 light Grey	na	na	See SMBKQJ1 and SMBKQJ3 Kit
	11-A-1508-08	11-A-1508	1	Screw: 1/4-20 x0.875" Slotted Hex Washer Head SIMS	na	na	Hardware item: check with customer support
	11-1553-07	11-1553	1	Screw: 1/4-20 X 0.75" ISHWSHW Indented Slotted Hex Washer Head Screw	na	na	Hardware item: check with customer support
	11-1542-20	11-1542	1	Screw: 1/4-20x2.38" SRHMS, Slotted Round Head Machine Screw	na	na	Hardware item: check with customer support
	11-A-1506-02	11-A-1506	1	Screw: 10-32 x0.25" Slotted Hex Washer Head	na	na	Hardware item: check with customer support
	11-1580-02	11-1580	3	Screw: Carriage Bolt, 3/8-16 x 1.00" RHSNB, Grade 5, Full thread	na	na	Hardware item: check with customer support
	11-1622-01	11-1622	3	Nut: Belleville Washer Nut, 3/8-16	na	na	Hardware item: check with customer support
	11-A-3540-01	11-A-3540	2	S1/S2/SE QJ Bus Extension Strap - 0.25" CU, not Plated, 0.50" offset (used when main bus has two .25" thick laminations)	na	na	See SMBKQJ1 and SMBKQJ3 Kit
	11-A-3540-02	11-A-3540	2	S1/S2/SE QJ Bus Extension Strap - 0.25" CU, not Plated, 0.75" offset (used when main bus has one .25" thick bar)	na	na	See SMBKQJ1 and SMBKQJ3 Kit

Addendum C

P2/P3 Strap kits and related parts

Distributor Kit # ref.	Base Part/ Assembly Reference #	Drawing # Ref	Kit Qty.	Kit or Part Description with additional info	Distributor Kit #	Dist Pack Qty.	Distributor Pack Description or additional info
	11-1553-13	11-1553	1	Screw: 1/4-20 X 1.437" ISHWHSW Indented Slotted Hex Washer Head Screw	na	na	Hardware item: check with customer support
	11-1625-01	11-1625	1	Nut: Belleville Washer Nut, 1/4-20	na	na	Hardware item: check with customer support
	11-1512-02	11-1512	1	Screw: 8-32 X 9/32" IHWHSW, Indented Hex Washer-Head Screw	na	na	Hardware item: check with customer support
	12-A-1027-01	12-A-1027-01	1	SMBKQJ3 Instructions, 3-Phase QJ Twin Mount Sub-feed only Strap Kit for S1/S2 (400-600A) and all SE panels only.	See online Kit instruction sheets when needed		
SMLKA1	12-A-2143-03	12-A-2143-03	1 kit	S1/S2/SE Main Lug Kit, 1-Phase, 400A and 600A	SMLKA1	1 kit	S1/S2/SE Main Lug Kit, 1-Phase, 400A and 600A
	11-1886-02	11-1886	2	500 kcmil max., 2 hole Connector/Lug, Narrow 1.5"W x4.906"L x 3.00"H, AL body, AL/CU cable. Ref. CMC # 2ABV-500 (range #4-500kcmil) or ILSCO # D1459-23 (range #2-500kcmil)	na	na	See S1/S2/SE SMLKA1 and SMLKA3 lug kits and others. Typically used in many 400-600A main connections.
	11-A-1805-01	11-A-1805	1	500 kcmil max., 2 hole Connector/Lug, side-by-side. Each hole can also accept up to two 400kcmil AL cables as well) 2.562"W x3.812"L x 2.0"H, AL body, AL/CU cable. Ref. CMC # 2AB-500-1 (1-conductor range #4-500kcmil)	na	na	See S1/S2/SE SMxxxx lug kits and others. Typically used in many 400-600A neutral connections and other general use locations.
	11-1622-01	11-1622	6	Nut: Belleville Washer Nut, 3/8-16	na	na	Hardware item: check with customer support
	11-1580-03	11-1580	2	Screw: Carriage Bolt, 3/8-16 x 1.25" RHSNB, Grade 5, Min. 0.75" thread	na	na	Hardware item: check with customer support
	11-1512-02	11-1512	4	Screw: 8-32 X 9/32" IHWHSW, Indented Hex Washer-Head Screw	na	na	Hardware item: check with customer support
	11-1586-11	11-1586	4	Screw: 3/8-16x1.75" HHMS, Hex Head Machine Screw	na	na	Hardware item: check with customer support
	11-1624-05	11-1624	4	Washer: Internal Tooth Lock Washer, Type A, 3/8" screw size, zinc plated steel.	na	na	Hardware item: check with customer support
	11-A-3145-03	11-A-3145	1	SE and 400/600A S1/S2 Main Lug "Blank" Filler Plate, used with MLO applications typically.	na	na	See S1/S2/SE SMLKA1 and SMLKA3 main lug kits.
	11-A-1054-01	11-A-1054	1	Label: "Main Lug 400 Amps", 1.0" x 2.0"	na	na	General use label used for most applications that need 400A Main Lug label.
	11-A-1055-01	11-A-1055	1	Label: "Main Lug 600 Amps", 1.0" x 2.0"	na	na	General use label used for most applications that need 600A Main Lug label.
	12-A-1019-01	12-A-1019	1	Instruction Sheet for installing SMLKA1 and SMLKA3 kits for S1/S2/SE panels, 400A and 600A.	See online Kit instruction sheets when needed		
SMLKA3	12-A-2143-04	12-A-2143-04	1 kit	S1/S2/SE Main Lug Kit, 3-Phase, 400A and 600A	SMLKA3	1 kit	S1/S2/SE Main Lug Kit, 3-Phase, 400A and 600A
	11-1886-02	11-1886	3	500 kcmil max., 2 hole Connector/Lug, Narrow 1.5"W x4.906"L x 3.00"H, AL body, AL/CU cable. Ref. CMC # 2ABV-500 (range #4-500kcmil) or ILSCO # D1459-23 (range #2-500kcmil)	na	na	See S1/S2/SE SMLKA1 and SMLKA3 lug kits and others. Typically used in many 400-600A main connections.
	11-A-1805-01	11-A-1805	1	500 kcmil max., 2 hole Connector/Lug, side-by-side. Each hole can also accept up to two 400kcmil AL cables as well) 2.562"W x3.812"L x 2.0"H, AL body, AL/CU cable. Ref. CMC # 2AB-500-1 (1-conductor range #4-500kcmil)	na	na	See S1/S2/SE SMxxxx lug kits and others. Typically used in many 400-600A neutral connections and other general use locations.
	11-1622-01	11-1622	8	Nut: Belleville Washer Nut, 3/8-16	na	na	Hardware item: check with customer support
	11-1580-03	11-1580	2	Screw: Carriage Bolt, 3/8-16 x 1.25" RHSNB, Grade 5, Min. 0.75" thread	na	na	Hardware item: check with customer support

Addendum C

P2/P3 Strap kits and related parts

Distributor Kit # ref.	Base Part/ Assembly Reference #	Drawing # Ref	Kit Qty.	Kit or Part Description with additional info	Distributor Kit #	Dist Pack Qty.	Distributor Pack Description or additional info
	11-1512-02	11-1512	4	Screw: 8-32 X 9/32" IHWHSW, Indented Hex Washer-Head Screw	na	na	Hardware item: check with customer support
	11-1586-11	11-1586	6	Screw: 3/8-16x1.75" HHMS, Hex Head Machine Screw	na	na	Hardware item: check with customer support
	11-1624-05	11-1624	6	Washer: Internal Tooth Lock Washer, Type A, 3/8" screw size, zinc plated steel.	na	na	Hardware item: check with customer support
	11-A-3145-03	11-A-3145	1	SE and 400/600A S1/S2 Main Lug "Blank" Filler Plate , used with MLO applications typically.	na	na	See S1/S2/SE SMLKA1 and SMLKA3 main lug kits.
	11-A-1054-01	11-A-1054	1	Label: "Main Lug 400 Amps", 1.0" x 2.0"	na	na	General use label used for most applications that need 400A Main Lug label.
	11-A-1055-01	11-A-1055	1	Label: "Main Lug 600 Amps", 1.0" x 2.0"	na	na	General use label used for most applications that need 600A Main Lug label.
	12-A-1019-01	12-A-1019	1	Instruction Sheet for installing SMLKA1 and SMLKA3 kits for S1/S2/SE panels, 400A and 600A.	See online Kit instruction sheets when needed		
2NLK2	11-A-2139-01	11-A-2139-01	1 kit	200% Neutral Lug Kit for 250A S1/S2/SE Panels	2NLK2	1 kit	200% Neutral Lug Kit for 250A S1/S2/SE Panels
	11-1852-01	11-1852	1	Lug, 350 kcmil Max. Connector Assembly, Aluminum or Copper cable, 0.406" dia. mounting hole in flange. Reference CMC AB-350-S	na	na	Used in many applications, P2/P3/P4/ P5 also older S1/S2/SE panels.
	11-1580-03	11-1580	1	Screw: Carriage Bolt, 3/8-16 x 1.25" RHSNB, Grade 5, Min. 0.75" thread	na	na	Hardware item: check with customer support
	11-1622-01	11-1622	1	Nut: Belleville Washer Nut, 3/8-16	na	na	Hardware item: check with customer support
	11-A-1011-01	11-A-1011	1	Label: 200% Neutral Label used in most Original P1 and RP1 200% neutral kits and others where appropriate.	na	na	See x2NLKxx Kits
	12-A-1016-01	12-A-1016	1	Instruction Sheet for installing 2NLK1 (600A max.) and 2NLK2 (250A max.) kits for S1/S2/SE panels	See online Kit instruction sheets when needed		
SEBKP2V1	11-D-2733-01	11-D-2733-01	1 kit	Service Entrance Barrier Kit, P2 BL/BQD	SEBKP2V1	1 kit	Service Entrance Barrier Kit, P2 BL/BQD
	11-D-3293-01	11-D-3293	1	P2 BL/BQD/NGB Service Entrance Barrier Support	na	na	See SEBKP2V1 and SEBKP2V2 Kits
	11-D-4568-01	11-D-4568	1	BL/BQD Service Entrance BARRIER RP1, P2	na	na	See SEBKP2V1 and SEBKRP1V3 Kits
	11-1648-01	11-1648	2	Rivet: PLASTIC TREE RIVET	Hardware item: - check with customer support		
	11-1648-02	11-1648	1	Rivet: PLASTIC TREE RIVET	Hardware item: - check with customer support		
	11-1512-03	11-1512	1	Screw: 8-32 X 3/8" IHWHSW, Indented Hex Washer-Head Screw	Hardware item: - check with customer support		
	15-A-1063-01	15-A-1063	1	Label: Service Entrance Barrier Kit Label	na	na	See most SEB... Kits
	11-A-1151-01	11-A-1151-01	1	Instruction sheet for P2, BL/BQD (V1) and xGB (V2) Service Entrance Barrier Kits	See online Kit instruction sheets when needed		
SEBKP2V2	11-D-2734-01	11-D-2734-01	1 kit	Service Entrance Barrier Kit, P2 xGB Main	SEBKP2V2	1 kit	Service Entrance Barrier Kit, P2 xGB Main
	11-D-3293-01	11-D-3293	1	P2 BL/BQD/NGB Service Entrance Barrier Support	na	na	See SEBKP2V1 and SEBKP2V2 Kits
	11-D-4569-01	11-D-4569	1	xGB Service Entrance Barrier, RP1 and P2 Main	na	na	See SEBKP2V2 and SEBKRP1V4 Kits
	11-1648-01	11-1648	2	Rivet: PLASTIC TREE RIVET	na	na	Hardware item: check with customer support
	11-1648-02	11-1648	1	Rivet: PLASTIC TREE RIVET	na	na	Hardware item: check with customer support

Addendum C

P2/P3 Strap kits and related parts

Distributor Kit # ref.	Base Part/ Assembly Reference #	Drawing # Ref	Kit Qty.	Kit or Part Description with additional info	Distributor Kit #	Dist Pack Qty.	Distributor Pack Description or additional info
	11-1512-03	11-1512	1	Screw: 8-32 X 3/8" IHWHWSW, Indented Hex Washer-Head Screw	na	na	Hardware item: check with customer support
	15-A-1063-01	15-A-1063	1	Label: Service Entrance Barrier Kit Label	na	na	See most SEB... Kits
	11-A-1151-01	11-A-1151-01	1	Instruction sheet for P2, BL/BQD (V1) and xGB (V2) Service Entrance Barrier Kits	See online Kit instruction sheets when needed		
SEBKP2V3	11-D-2735-01	11-D-2735-01	1 kit	Service Entrance Barrier Kit, (P2, P2 with SEM3, P3), FD/QJ/QR Horiz. Main	SEBKP2V3	1 kit	Service Entrance Barrier Kit, (P2, P2 with SEM3, P3), FD/QJ/QR Horiz. Main
	11-D-3296-01	11-D-3296	1	Service Entrance Barrier Support, P2/P3 FD/QJ/QR Horiz. Main	na	na	See SEBKP2V3 Kits
	11-D-4571-01	11-D-4571	1	Service Entrance Barrier used in various RP1/P2/P3 for FD/QJ/QR Mains	na	na	See SEBKP2V3, SEBKP2V4, SEBKP3V1 and SEBKRP1V1 Kits
	11-1512-03	11-1512	3	Screw: 8-32 X 3/8" IHWHWSW, Indented Hex Washer-Head Screw	na	na	Hardware item: check with customer support
	11-D-3298-01	11-D-3298	1	P2/P3 FD Main Depth Adapter for Service Entrance Barrier	na	na	See SEBKP2V3 and SEBKP3V1 Kits
	11-D-1500-01	11-D-1500	2	Snap Rivet (Male) - Plastic - FASTEX #236-220603-00 Use with 11-D-1501-01.	na	na	Hardware item: check with customer support
	11-D-1501-01	11-D-1501	2	Snap Rivet (Female) - Plastic - FASTEX #236-220604-00 Use with 11-D-1500-01.	na	na	Hardware item: check with customer support
	15-A-1063-01	15-A-1063	1	Label: Service Entrance Barrier Kit Label	na	na	See most SEB... Kits
	11-A-1153-01	11-A-1153-01	1	Instruction sheet for P2/P3, Horiz. FD/QJ/QR and P2 w/SEM3 Service Entrance Barrier Kit	See online Kit instruction sheets when needed		
SEBKP2V4	11-D-2736-01	11-D-2736-01	1 kit	Service Entrance Barrier Kit, (P2, P2 w/SEM3, P3) FD/QJ/QR Vert Main	SEBKP2V4	1 kit	SERV ENTR BAR KIT P2 VERT FDQJQR SEM3
	11-D-3297-01	11-D-3297	1	P2 FD/QJ/QR (and P3 FD) Vertical Main Service Entrance Barrier Support	na	na	See SEBKP2V4 and SEBKP3V1 Kits
	11-D-4571-01	11-D-4571	1	Service Entrance Barrier used in various RP1/P2/P3 for FD/QJ/QR Mains	na	na	See SEBKP2V3, SEBKP2V4, SEBKP3V1 and SEBKRP1V1 Kits
	11-1512-03	11-1512	2	Screw: 8-32 X 3/8" IHWHWSW, Indented Hex Washer-Head Screw	na	na	Hardware item: check with customer support
	11-D-1500-01	11-D-1500	2	Snap Rivet (Female) - Plastic - FASTEX #236-220604-00 Use with 11-D-1500-01.	na	na	Hardware item: check with customer support
	11-D-1501-01	11-D-1501	2	Snap Rivet (Male) - Plastic - FASTEX #236-220603-00 Use with 11-D-1501-01.	na	na	Hardware item: check with customer support
	15-A-1063-01	15-A-1063	1	Label: Service Entrance Barrier Kit Label	na	na	See most SEB... Kits
	11-A-1154-01	11-A-1154-01	1	Instruction sheet for (P2, P2 w/SEM3) Vert FD/QJ/QR and P3 Vert FD/CFD Service Entrance Barrier Kit	See online Kit instruction sheets when needed		
SEBKP2V5	11-D-2738-01	11-D-2738-01	1 kit	Service Entrance Barrier Kit, (P2, P2 w/SEM3) ED Horiz. Main	SEBKP2V5	1 kit	Service Entrance Barrier Kit, (P2, P2 w/SEM3) ED Horiz. Main
	11-D-3294-01	11-D-3294	1	P2 ED Horiz. Main Service Entrance Barrier Support	na	na	See SEBKP2V5 Kit
	11-D-4570-01	11-D-4570	1	ED Main (RP1, P2 Horiz./Vert) Service Entrance Barrier	na	na	See SEBKP2V5, SEBKP2V6 and SEBKRP1V2 Kit
	11-1512-03	11-1512	1	Screw: 8-32 X 3/8" IHWHWSW, Indented Hex Washer-Head Screw	na	na	Hardware item: check with customer support
	11-D-1500-01	11-D-1500	2	Snap Rivet (Male) - Plastic - FASTEX #236-220603-00 Use with 11-D-1501-01.	na	na	Hardware item: check with customer support
	11-D-1501-01	11-D-1501	2	Snap Rivet (Female) - Plastic - FASTEX #236-220604-00 Use with 11-D-1500-01.	na	na	Hardware item: check with customer support
	15-A-1063-01	15-A-1063	1	Label: Service Entrance Barrier Kit Label	na	na	See most SEB... Kits
	11-A-1155-01	11-A-1155-01	1	Instruction sheet for (P2, P2 w/SEM3) Horiz. ED Main, Service Entrance Barrier Kit	See online Kit instruction sheets when needed		

Addendum C

P2/P3 Strap kits and related parts

Distributor Kit # ref.	Base Part/ Assembly Reference #	Drawing # Ref	Kit Qty.	Kit or Part Description with additional info	Distributor Kit #	Dist Pack Qty.	Distributor Pack Description or additional info
SEBKP2V6	11-D-2739-01	11-D-2739-01	1 kit	Service Entrance Barrier Kit, (P2, P2 w/SEM3) ED Vert Main	SEBKP2V6	1 kit	Service Entrance Barrier Kit, (P2, P2 w/SEM3) ED Vert Main
	11-D-3295-01	11-D-3295	1	P2 ED Vert Main Service Entrance Barrier Support	na	na	See SEBKP2V6 Kit
	11-D-4570-01	11-D-4570	1	ED Main (RP1, P2 Horiz./Vert) Service Entrance Barrier	na	na	See SEBKP2V5, SEBKP2V6 and SEBKRP1V2 Kit
	11-1512-03	11-1512	2	Screw: 8-32 X 3/8" IHWHWSW, Indented Hex Washer-Head Screw	na	na	Hardware item: check with customer support
	11-D-1500-01	11-D-1500	2	Snap Rivet (Male) - Plastic - FASTEX #236-220603-00 Use with 11-D-1501-01.	na	na	Hardware item: check with customer support
	11-D-1501-01	11-D-1501	2	Snap Rivet (Female) - Plastic - FASTEX #236-220604-00 Use with 11-D-1500-01.	na	na	Hardware item: check with customer support
	15-A-1063-01	15-A-1063	1	Label: Service Entrance Barrier Kit Label	na	na	See most SEB... Kits
	11-A-1156-01	11-A-1156-01	1	Instruction sheet for (P2, P2 w/SEM3), Vert ED Service Entrance Barrier Kit	See online Kit instruction sheets when needed		
SEBKP1P2P3V1	11-D-2740-01	11-D-2740-01	1 kit	Service Entrance Barrier Kit, (RP1, P1, P2, P3), JD/LD Vert Main	SEBKP1P2P3V1	1 kit	Service Entrance Barrier Kit, (RP1, P1, P2, P3), JD/LD Vert Main
	11-D-4572-01	11-D-4572	1	JD/LD Service Entrance Barrier for RP1/P2/P3 Vert Main	na	na	See SEBKP1P2P3V1 kit
	11-1648-01	11-1648	2	Rivet: PLASTIC TREE RIVET	na	na	Hardware item: check with customer support
	11-D-3299-01	11-D-3299	2	P3 JD Service Entrance Barrier support adapter	na	na	See SEBKP1P2P3V1 kit
	11-1512-03	11-1512	6	Screw: 8-32 X 3/8" IHWHWSW, Indented Hex Washer-Head Screw	na	na	Hardware item: check with customer support
	11-1576-04	11-1576	4	Screw: 10-24 X 0.437" ISHWHWSW Indented Slotted Hex Washer Head Screw	na	na	Hardware item: check with customer support
	15-A-1063-01	15-A-1063	1	Label: Service Entrance Barrier Kit Label	na	na	See most SEB... Kits
	11-A-1157-01	11-A-1157-01	1	Instruction sheet for JD/LD Service Entrance Barrier Kit (RP1, P1, P2, P3)	See online Kit instruction sheets when needed		
SEBKP3V1	11-D-2737-01	11-D-2737-01	1 kit	Service Entrance Barrier Kit, P3 FD Vertical Main	SEBKP3V1	1 kit	Service Entrance Barrier Kit, P3 FD Vertical Main
	11-D-3297-01	11-D-3297	1	P2 FD/QJ/QR (and P3 FD) Vertical Main Service Entrance Barrier Support	na	na	See SEBKP2V4 and SEBKP3V1 Kits
	11-D-4571-01	11-D-4571	1	Service Entrance Barrier used in various RP1/P2/P3 for FD/QJ/QR Mains	na	na	See SEBKP2V3, SEBKP2V4, SEBKP3V1 and SEBKRP1V1 Kits
	11-1512-03	11-1512	4	Screw: 8-32 X 3/8" IHWHWSW, Indented Hex Washer-Head Screw	na	na	Hardware item: check with customer support
	11-D-3298-01	11-D-3298	2	P2/P3 FD Main Depth Adapter for Service Entrance Barrier	na	na	See SEBKP2V3 and SEBKP3V1 Kits
	11-D-1500-01	11-D-1500	2	Snap Rivet (Male) - Plastic - FASTEX #236-220603-00 Use with 11-D-1501-01.	na	na	Hardware item: check with customer support
	11-D-1501-01	11-D-1501	2	Snap Rivet (Female) - Plastic - FASTEX #236-220604-00 Use with 11-D-1500-01.	na	na	Hardware item: check with customer support
	15-A-1063-01	15-A-1063	1	Label: Service Entrance Barrier Kit Label	na	na	See most SEB... Kits
	11-A-1154-01	11-A-1154-01	1	Instruction sheet for (P2, P2 w/SEM3) Vert FD/QJ/QR and P3 Vert FD/CFD Service Entrance Barrier Kit	See online Kit instruction sheets when needed		

**Published by
Siemens Industry, Inc. 2019.**

Siemens Industry, Inc.
5400 Triangle Parkway
Norcross, GA 30092

For more information, please contact
our Customer Support Center.

Phone: 1-800-241-4453

E-mail: info.us@siemens.com

usa.siemens.com/panelboards

Order No.: PDBR-LPRPG-0319

Printed in U.S.A.

© 2019 Siemens Industry, Inc.

The technical data presented in this document is based on an actual case or on as-designed parameters, and therefore should not be relied upon for any specific application and does not constitute a performance guarantee for any projects. Actual results are dependent on variable conditions. Accordingly, Siemens does not make representations, warranties, or assurances as to the accuracy, currency or completeness of the content contained herein. If requested, we will provide specific technical data or specifications with respect to any customer's particular applications. Our company is constantly involved in engineering and development. For that reason, we reserve the right to modify, at any time, the technology and product specifications contained herein.