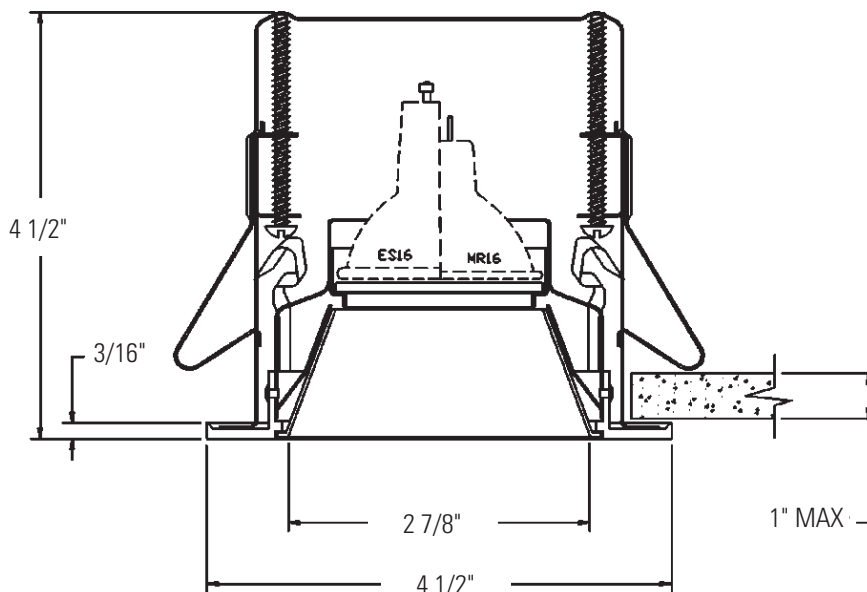


Lytecaster Recessed Downlighting **374X**



Complete fixture consists of Reflector Trim & Frame-In Kit. Select each separately

Reflector Trim		Frame-In Kit	Lamp
374CHX	Chrome and White Flange	Remodeler 300MRSPX	50W MR16
		Remodeler 3401MREX	50W MR16
		Remodeler 300ESX	50W ES/ESD16 (GZ10)
		Non-IC 302MRSPX	50W MR16
		Non-IC 302MREX	50W MR16
		Non-IC 302ESX	50W ES/ESD16 (GZ10)
		IC 302MRAICSPX	50W MR16
		IC 302ESICX	50W ES/ESD16 (GZ10)
		Air Seal / IC 302MRAICSPX	50W MR16
		Air Seal / IC 302MRAICEX	50W MR16
		Air Seal / IC 302ESAICX	50W ES/ESD16 (GZ10)

Features

- Housing:** 25ga galvanized steel.
- Residence Mounting Clip:** Factory-installed; zinc plated spring steel; free-hand installation.
- Flange:** Die-cast aluminum .060" (1.5mm) thick; white finish.
- Aperture Cone:** 18ga. aluminum.
- Adjustable Lampholder Support:** 27ga. steel; Rotates 358° horizontally and 0° to 25° vertically.
- Mounting Clips (3):** 24ga. spring steel, zinc plated. Provide easy snap-in /snap-out action.
- Lamp Guard:** 1 3/4" (45mm) dia. borosilicate glass.

Frame-In Kit

Note: For complete Frame-In Kit specifications, see 300 frame specification sheets.

Labels

CSA, UL Suitable for damp locations.

Job Information

Type:

Job Name:

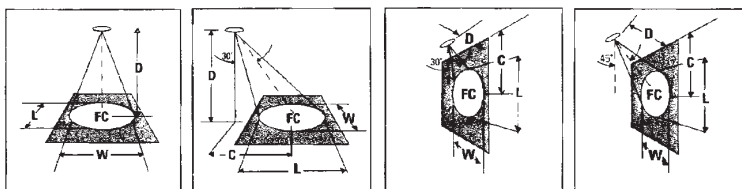
Cat. No.:

Lamp(s):

Notes:

(FC) is initial footcandles at center of beam.
 Beam length (L) and beam width (W) are to
 where the candlepower is reduced to 50% of
 center beam candlepower.
 CBCP is center beam candlepower.
 (C) is distance to the center of the beam.

Lamp data shown is typical, and is based on bare
 lamp photometrics. Contact lamp manufacturers for
 availability and performance.



Lamps	Beam Spread (to 50% CBCP)	CBCP	Rated Life (Hrs.)	0° AIMING ANGLE				30° AIMING ANGLE				30° AIMING ANGLE				45° AIMING ANGLE					
				D	FC	L	W	D	C	FC	L	W	D	C	FC	L	W	D	C	FC	L
MR-16 LOW VOLTAGE HALOGEN BI-PIN LAMPS																					
20W MR-16 VNSP (EZK)	7°	6200	3000	10' 167	0.9'	0.9'	0.9'	6' 3.5'	148	1.0'	0.8'	2' 3.5'	256	1.0'	0.5'	4' 4.0'	161	1.0'	0.7'	1.0'	0.7'
20W MR-16 NSP (ESX)	13°	3600	3000	8' 56	1.8'	1.8'	1.8'	7' 4.0'	48	2.1'	1.6'	3' 5.2'	50	1.4'	0.7'	6' 6.0'	81	1.5'	1.0'	1.5'	1.0'
20W MR-16 FL (BAB)	40°	525	4000	3' 58	2.2'	2.2'	2.2'	4' 3.3'	2.9'	2.9'	2.9'	2' 3.5'	113	1.3'	0.9'	3' 3.0'	141	1.4'	1.0'	1.4'	1.0'
35W MR-16 NSP (FRB)	12°	8700	4000	12' 131	1.5'	1.5'	1.5'	6' 3.5'	157	1.7'	1.5'	2' 3.5'	272	1.7'	0.8'	4' 4.0'	192	1.7'	1.2'	1.7'	1.2'
35W MR-16 SP (FRA)	20°	3900	4000	8' 61	2.8'	2.8'	2.8'	7' 4.0'	82	3.3'	2.9'	3' 5.2'	54	4.7'	2.1'	5' 5.0'	55	3.6'	2.5'	3.6'	2.5'
35W MR-16 FL (FMW)	40°	1600	4000	8' 25	5.8'	5.8'	5.8'	7' 4.0'	21	7.1'	5.6'	2' 3.5'	121	2.6'	1.3'	4' 4.0'	63	5.0'	3.1'	5.7'	4.1'
37W MR-16 IR (NSP)	10°	11500	4000	6' 180	1.4'	1.4'	1.4'	7' 4.0'	152	1.6'	1.4'	1' 1.7'	200	4.8'	1.5'	3' 3.0'	137	2.8'	1.9'	2.8'	1.9'
37W MR-16 IR (NFL)	25°	3500	4000	8' 55	3.5'	3.5'	3.5'	7' 4.0'	46	4.2'	3.6'	3' 5.2'	49	6.2'	2.7'	5' 5.0'	49	4.7'	3.1'	4.7'	3.1'
37W MR-16 IR (FL)	40°	2050	4000	6' 57	4.4'	4.4'	4.4'	7' 4.0'	27	7.1'	5.9'	3' 5.2'	28	14.5'	4.4'	5' 5.0'	25	8.4'	5.1'	8.4'	5.1'
42W MR-16 VNSP (EZV)	9°	13,100	3500	8' 205	1.3'	1.3'	1.3'	7' 4.0'	174	1.5'	1.3'	3' 5.2'	182	1.9'	0.9'	6' 5.0'	185	1.6'	1.1'	1.6'	1.1'
42W MR-16 NFL (EYS)	27°	2400	4000	4' 150	1.9'	1.9'	1.9'	3' 1.7'	173	2.0'	1.7'	1' 1.7'	300	2.7'	1.0'	3' 3.0'	54	3.1'	2.0'	3.1'	2.0'
50W MR-16 NSP (EXT)	14°	10,700	4000	6' 67	2.9'	2.9'	2.9'	5' 2.9'	53	5.1'	4.2'	2' 3.5'	94	9.7'	2.9'	5' 5.0'	48	5.1'	3.4'	5.1'	3.4'
50W MR-16 NFL (EKZ)	27°	3400	4000	8' 32	3.8'	3.8'	3.8'	7' 4.0'	32	4.6'	3.9'	3' 5.2'	33	7.0'	2.9'	6' 6.0'	24	6.1'	4.1'	6.1'	4.1'
50W MR-16 FL (EXN)	40°	1850	4000	4' 116	2.8'	2.8'	2.8'	3' 1.7'	134	3.0'	2.6'	1' 1.7'	231	4.8'	1.5'	3' 3.0'	73	5.0'	3.1'	5.0'	3.1'
50W MR-16 VFL (FMV)	55°	1150	4000	5' 46	5.2'	5.2'	5.2'	5' 2.9'	30	7.6'	6.0'	2' 3.5'	38	44.5'	4.2'	3' 3.0'	45	8.6'	4.4'	8.6'	4.4'
73W MR-16 SP	10°	14000	4000	12' 97	2.1'	2.1'	2.1'	10' 5.8'	91	2.3'	2.0'	3' 5.2'	142	3.1'	1.5'	6' 5.0'	144	2.5'	1.7'	2.5'	1.7'
73W MR-16 FL	36°	2500	4000	6' 59	3.8'	3.8'	3.8'	5' 2.9'	65	4.5'	3.8'	2' 3.5'	78	7.5'	2.6'	4' 4.0'	55	5.8'	3.7'	5.8'	3.7'
75W MR-16 NSP (EVE)	14°	12,000	4000	8' 188	2.0'	2.0'	2.0'	7' 4.0'	159	2.3'	2.0'	3' 5.2'	194	2.1'	1.0'	5' 5.0'	158	1.8'	1.2'	1.8'	1.2'
75W MR-16 NFL (EVJ)	25°	4900	4000	12' 83	2.5'	2.5'	2.5'	10' 5.8'	28	3.5'	2.8'	4' 8.5'	108	2.1'	1.0'	7' 7.0'	101	2.5'	1.7'	2.5'	1.7'
75W MR-16 FL (EVC)	42°	2100	4000	8' 33	6.1'	6.1'	6.1'	7' 4.0'	28	7.5'	6.2'	3' 5.2'	29	15.5'	4.6'	5' 5.0'	30	9.0'	5.4'	9.0'	5.4'
MR-16 HALOGEN LOW VOLTAGE BI-PIN LAMPS WITH ALUMINIZED (NON-DICHRIC) REFLECTORS																					
50W MR-16 NSP	11°	10,500	3500	8' 164	1.5'	1.5'	1.5'	7' 4.0'	159	1.8'	1.6'	3' 5.2'	146	2.4'	1.2'	5' 5.0'	148	1.9'	1.4'	1.9'	1.4'
50W MR-16 NFL	25°	3000	3500	15' 41	3.1'	3.1'	3.1'	13' 7.5'	40	3.3'	2.9'	4' 8.5'	82	2.2'	1.5'	7' 7.0'	76	2.7'	1.9'	7.6'	2.7'
50W MR-16 FL	40°	1900	3500	20' 26	3.9'	3.9'	3.9'	16' 9.2'	27	4.1'	3.6'	6' 10.4'	36	4.8'	2.3'	11' 11.0'	31	4.3'	3.0'	11.0'	4.3'

Job Information **Type:**