



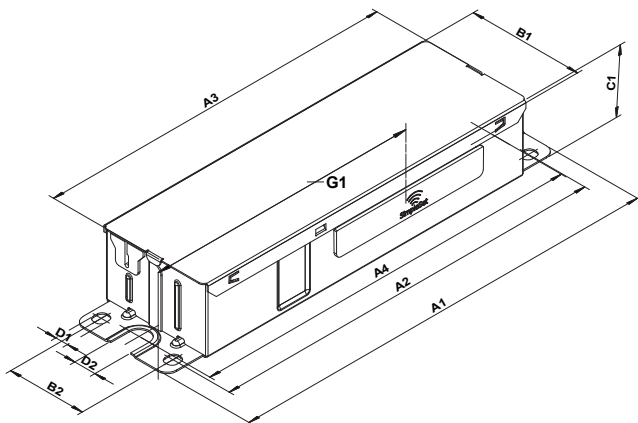
Advance Xitanium outdoor LED drivers with SimpleSet technology are designed to give OEMs ultimate flexibility. With wide operating windows and simple programming, the drivers make it easy for luminaire manufacturers to design luminaires of different sizes and lumen levels for outdoor applications.

### Specifications

Input Voltage (Vac)	Output Power (W)	Output Voltage (V)	Output Current (A)	Efficiency @ Max Load and 75°C Case	Max Case Temp. (°C)	Input Current (A)	Max. Input Power (W)	THD @ Max Load (%)	Power Factor @ Max Load	Surge Protection (Combi-Wave, KV)	Envir. Protection Rating	Dim	Dimming Range (with specified dimmers)	Min. Output Current (A)
120	55	18-54	0.1 - 1.8	87.3	90°C	0.55	66	<10%	>0.95	6	UL damp & dry and Type HL	0-10V Analog Class 1 and 2 Wiring	10% ~ 100%	0.07
277				89.4		0.24								

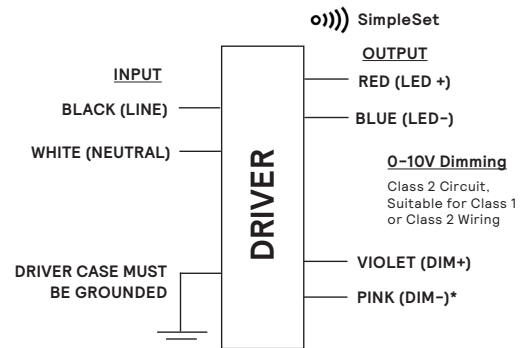
### Enclosure

	In. (mm)	Tolerance (mm)
Overall Length (A1)	6.61 (168.0)	± 0.5mm
Mounting Length (A2)	6.06 (153.8)	± 0.5mm
Case Length (A3)	5.50 (139.8)	± 0.5mm
Case Width (B1)	1.78 (45.1)	± 0.5mm
Mounting Length2 (A4)	5.98 (152)	± 0.5mm
Mounting Width (B2)	1.22 (31)	± 0.5mm
Case Height (C1)	1.11 (28.2)	± 1.0mm
Mounting Hole Diameter (D1)	0.20 (5.0)	± 0.3mm
Mounting Hole Diameter (D2)	0.35 (8.8)	± 0.3mm
Center of SimpleSet Antenna (G1)	3.99 (101.5)	± 3.0mm



### Wiring Diagram

	Wire Length (mm)
Black (Line)	270 (± 30)
White (Neutral)	270 (± 30)
Red (Positive, LED output)	270 (± 30)
Blue (Negative, LED output)	270 (± 30)
Violet (Positive, 0-10V)	270 (± 30)
Pink* (Negative, 0-10V)	270 (± 30)



\*DIM- will change from GREY to PINK from 2021 onwards.

### Warning

- Install in accordance with national and local electrical codes.



# Xitanium XI055C180V054BSJ1

## 55W 0.1–1.8A 0–10V Dimming with SimpleSet

### Features

- 50,000+ hour lifetime<sup>1</sup>
- Programmable output current through SimpleSet
- Class 2 voltage-current window coverage
- 6kV combi-wave surge rating to comply with ANSI C82.77-5 CAT C low

### Benefits

- Enables long life luminaire designs
- Fast and simple way of programming
- Enables fixture designs with a wide variety of loads and adjustable current options
- No external surge protection required to pass C82.77-5 CAT C low

### Application

- Area
- Roadway
- Parking garages (interior and exterior)
- Floodlights
- Low-bay and mid-bay

### Electrical Specifications

All the specifications are typical and at 25°C Tcase unless specified otherwise.

### Product Data

Order Information	
Full Product Code	XI055C180V054BSJ1M (Mid-Pack, 12pcs/box)
Line Frequency	50/60Hz
Min. Mains Voltage Operational	108 Vac
Max. Mains Voltage Operational	305 Vac
DC Input Voltage	125/250Vdc An additional EMC filter may be necessary for the product to comply with FCC Part 15 class A limit at DC Mains operation.
Output Information	
Maximum Open Circuit Voltage	<60Vdc (UL Class 2 Output)
Output Current Ripple (ripple = peak to average / average)	15% max. @ max. Iout (Low frequency ripple ( ≤120Hz) content <5%)
Output Current Tolerance (in performance window)	<5%
Protections	Short Circuit, Open Circuit Protection for LED + and LED - and Temperature Foldback
Features	
0–10V Dimming	150µA (±3%) source current from driver. See dim curve for detail.
AOC (Adjustable Output Current)	0.1A–1.8A via SimpleSet (Factory Default at 1.05A)
Additional SimpleSet Configurable Features	Adjustable Min Dim level, Adjustable Lumen Output, Adjustable Lumen Output Min, OEM Write Protection
Environment & Approbation	
Operating Ambient Temp. Range	–40°C to +55°C
Max. Case Temperature (Tcase)	85°C for Life & 90°C for UL
Agency Approbations	UL 8750, CSA-C22.2 No. 250.13, UL Listed, ETL, NOM, cUL, Class P
Electromagnetic Compliance	FCC Title 47 Part 15 Class A for 120–277 AC Mains input.
Audible Noise	<24dB Class A
Weight	0.795 Lbs / 0.361 Kgs

1. Advance Xitanium LED drivers are manufactured to engineering standards correlating to a designed and average life expectancy of 50,000 hours of operation at maximum rated case temperature. Minimum 90% survivals based on MTTF modeling.

# Xitanium XI055C180V054BSJ1

55W 0.1-1.8A 0-10V Dimming with SimpleSet

## Electrical Specifications

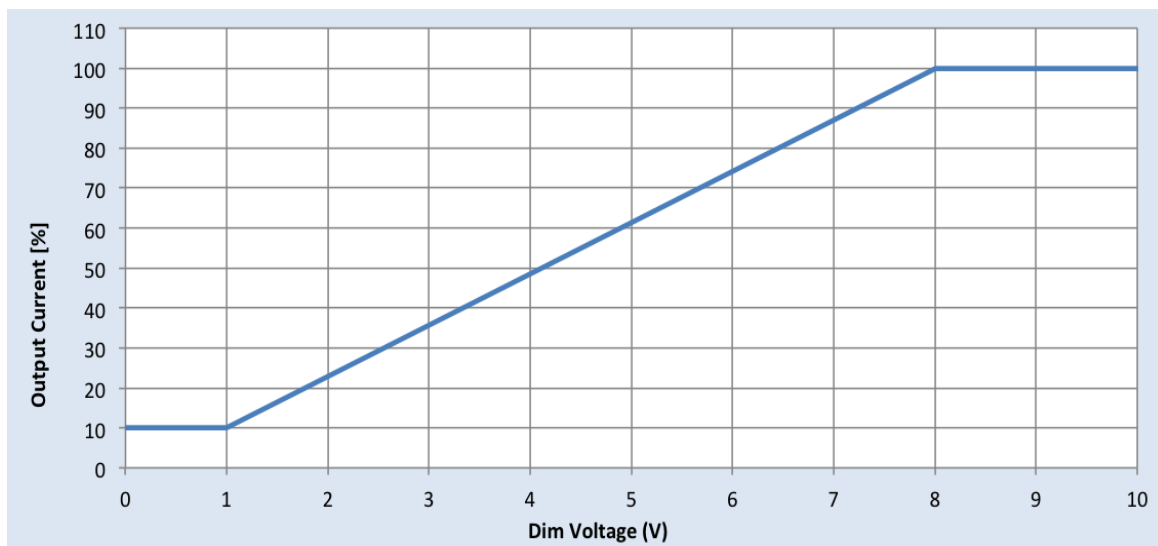
All the specifications are typical and at 25°C Tcase unless specified otherwise.

## 0-10V Dimming Curve

- Dimming source current from the driver: 150µA (@ 0<Vdim<8V)
- Minimum dim level: 10% of lout setting as default
- Maximum output voltage on the dimming wires: 12V
- Leakage current of dimming leads: 0.010mA, recommended max number of control circuits in parallel refer to Design-in Guide

## Approved Dimmer List

Manufacturer	Manufacturer Part Number
Lutron	Visit <a href="http://www.lutron.com/advance">www.lutron.com/advance</a> for a list of dimmers (Mark VII) that will work with this driver
Leviton	IllumaTech IP7 series
Advance	Sunrise - SR1200ZTUNV



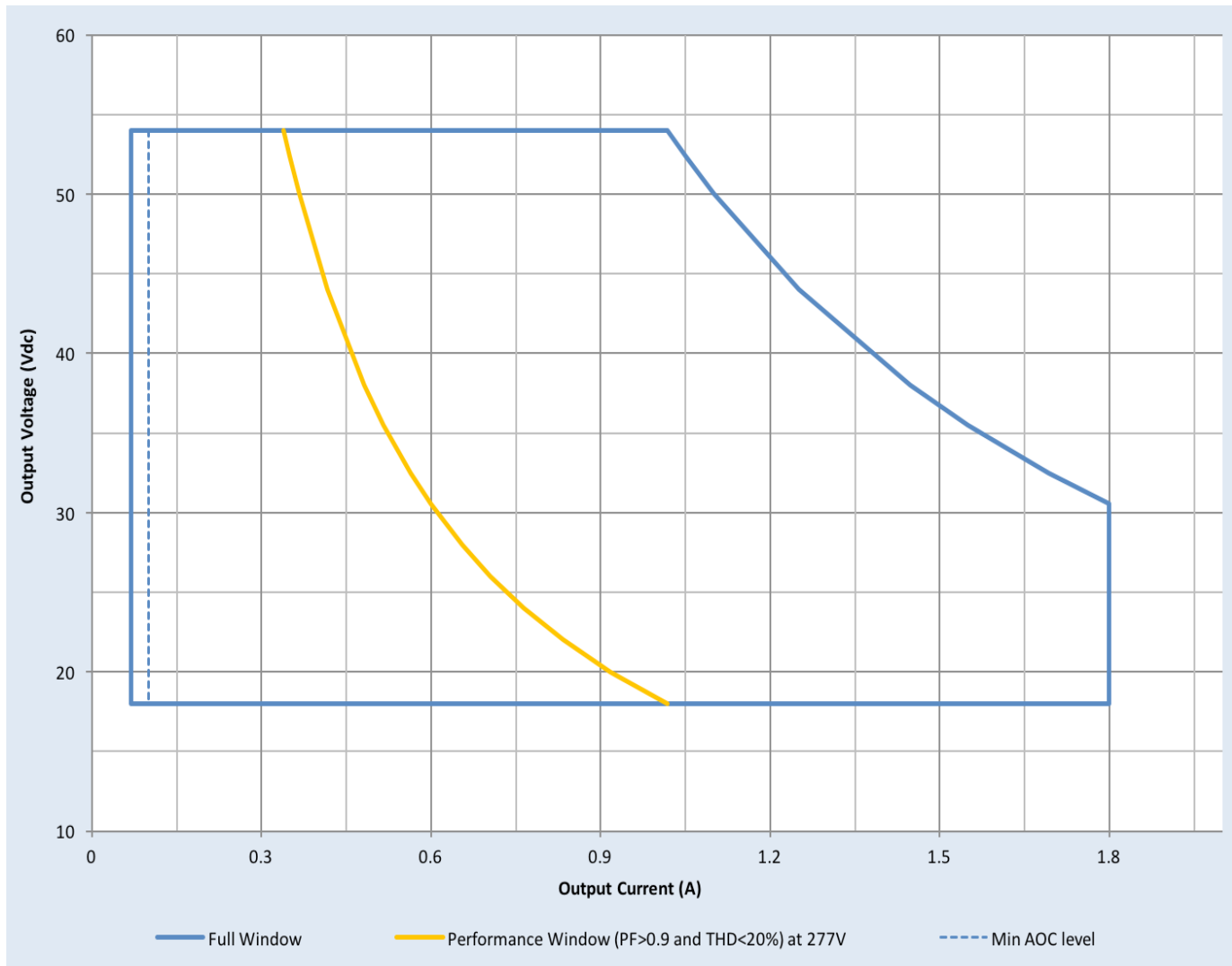
# Xitanium XI055C180V054BSJ1

55W 0.1-1.8A 0-10V Dimming with SimpleSet

## Electrical Specifications

All the specifications are typical and at 25°C Tcase unless specified otherwise.

## Driver Output Window



## Notes

1. Factory default output current is 1.05A.
2. To get a 100% to 10% dimming range, the output current setting through AOC should be  $\geq 0.7A$ .

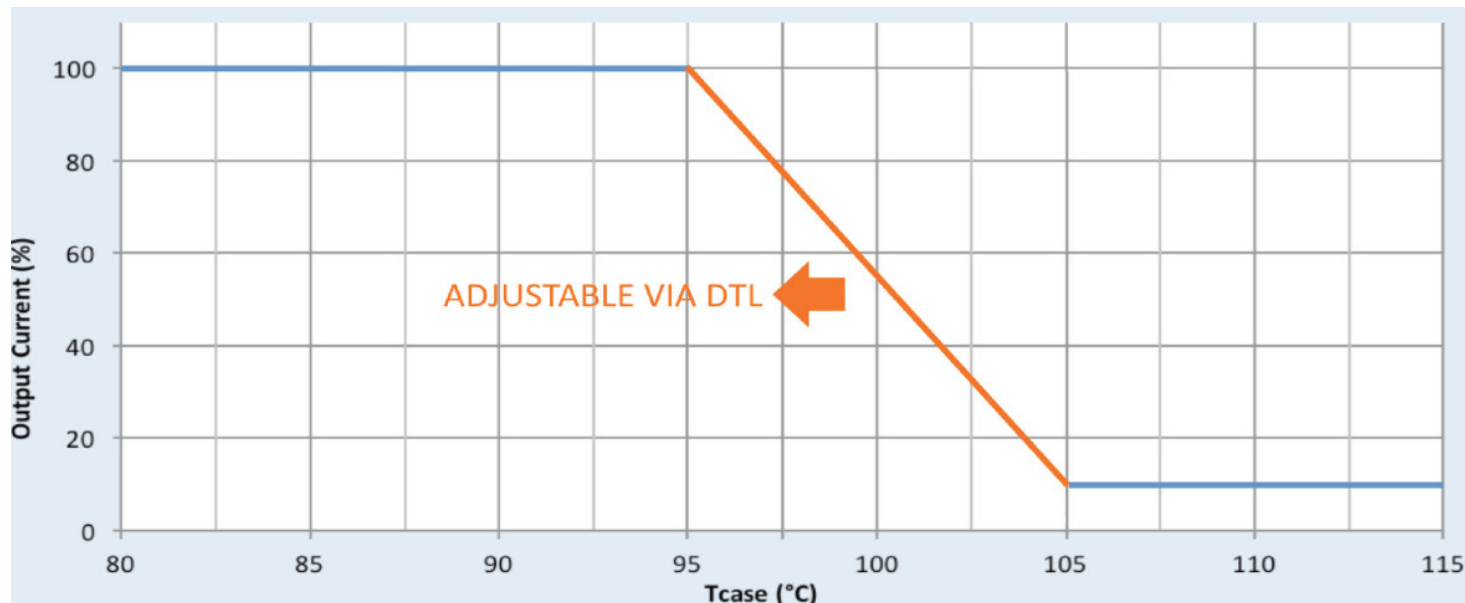
# Xitanium XI055C180V054BSJ1

55W 0.1-1.8A 0-10V Dimming with SimpleSet

## Electrical Specifications

All the specifications are typical and at 25°C Tcase unless specified otherwise.

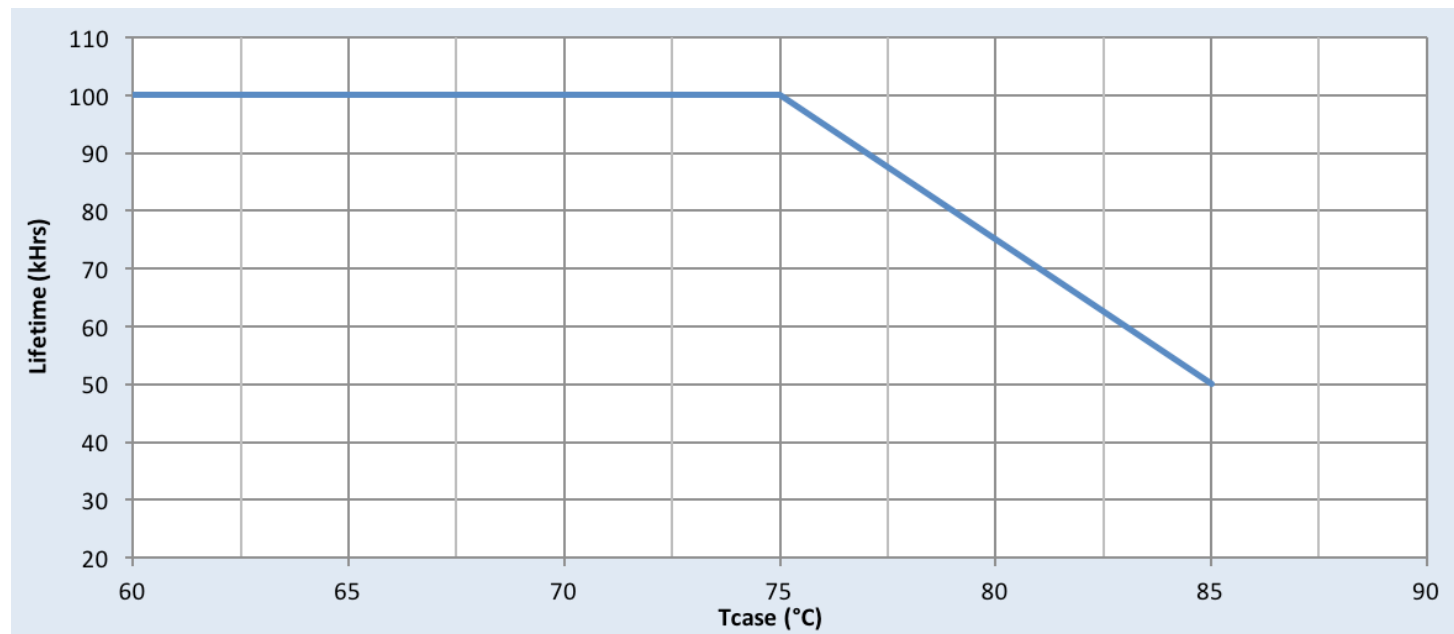
### Output Current Vs. Driver Case Temperature



## Note

There is  $\pm 5^\circ\text{C}$  tolerance on the driver case temperature.

### Driver Lifetime vs. Driver Case Temperature



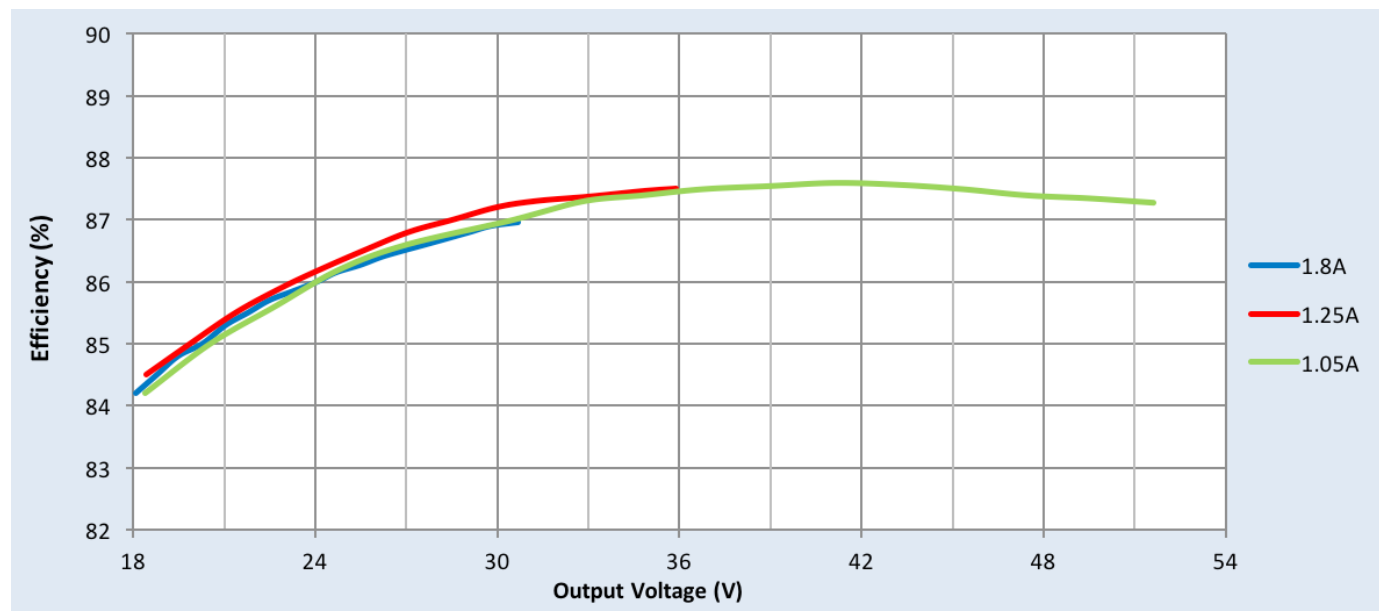
# Xitanium XI055C180V054BSJ1

55W 0.1-1.8A 0-10V Dimming with SimpleSet

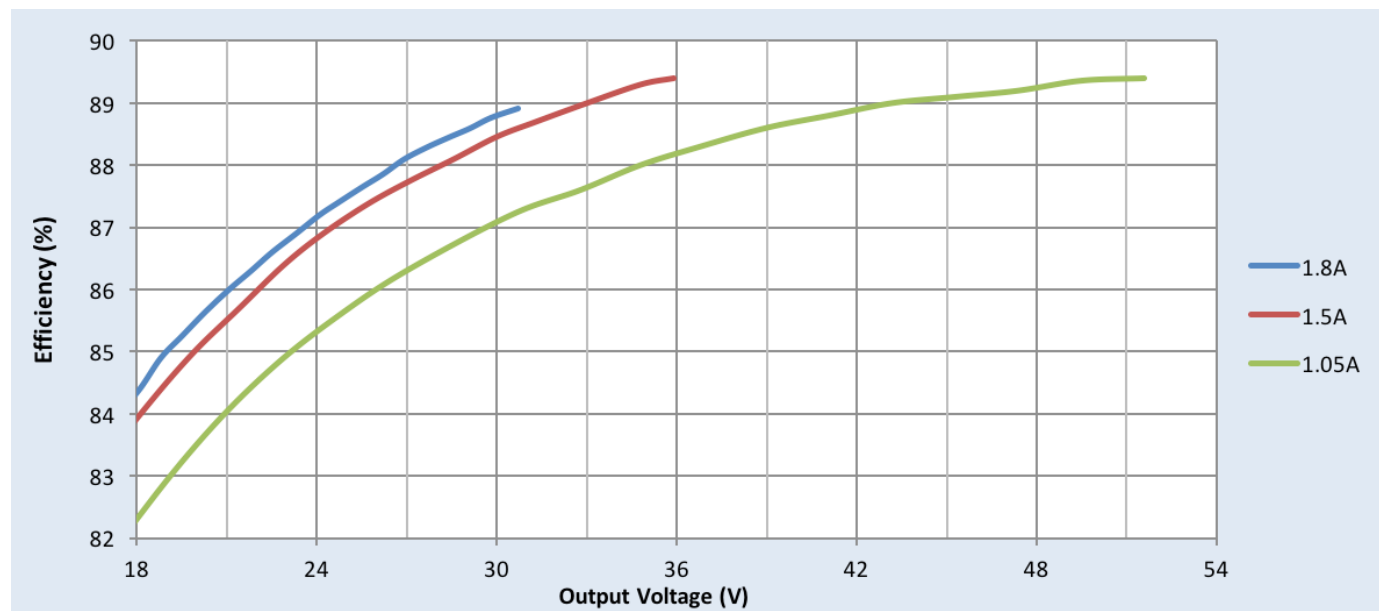
## Performance Characteristics

Based on measurements on a typical sample at 75°C case. The accuracy of the measurements is within the tolerance of the measurement instruments.

### Efficiency Vs. Output Voltage at 120Vac



### Efficiency Vs. Output Voltage at 277Vac



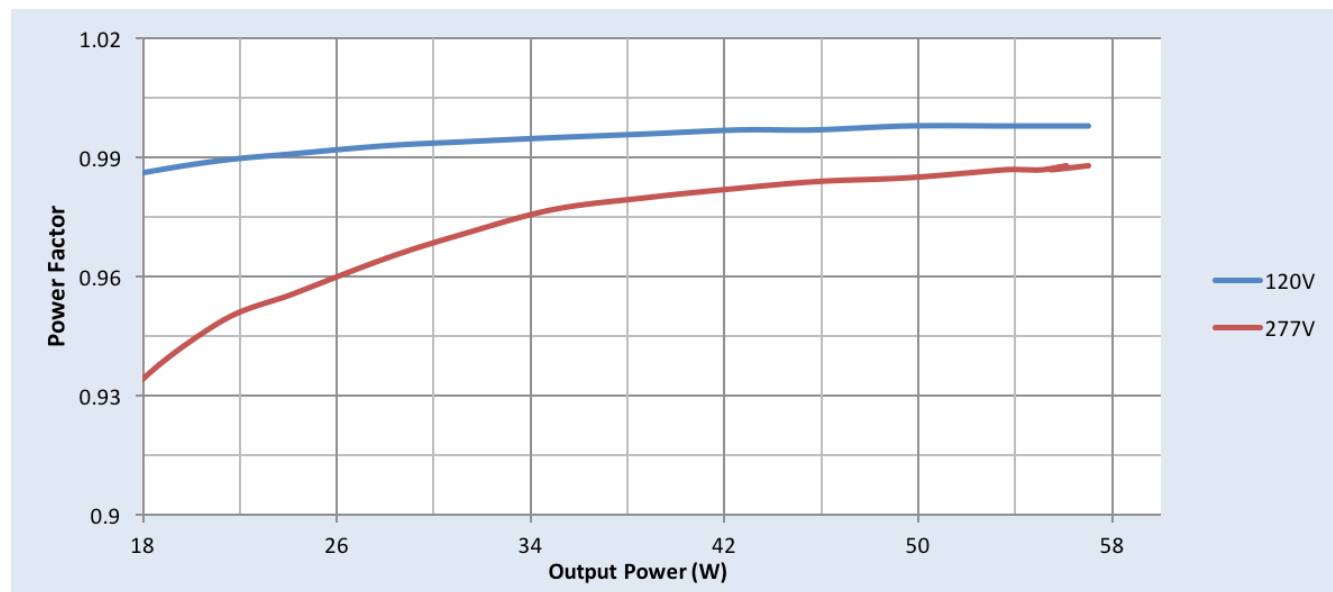
# Xitanium XI055C180V054BSJ1

55W 0.1-1.8A 0-10V Dimming with SimpleSet

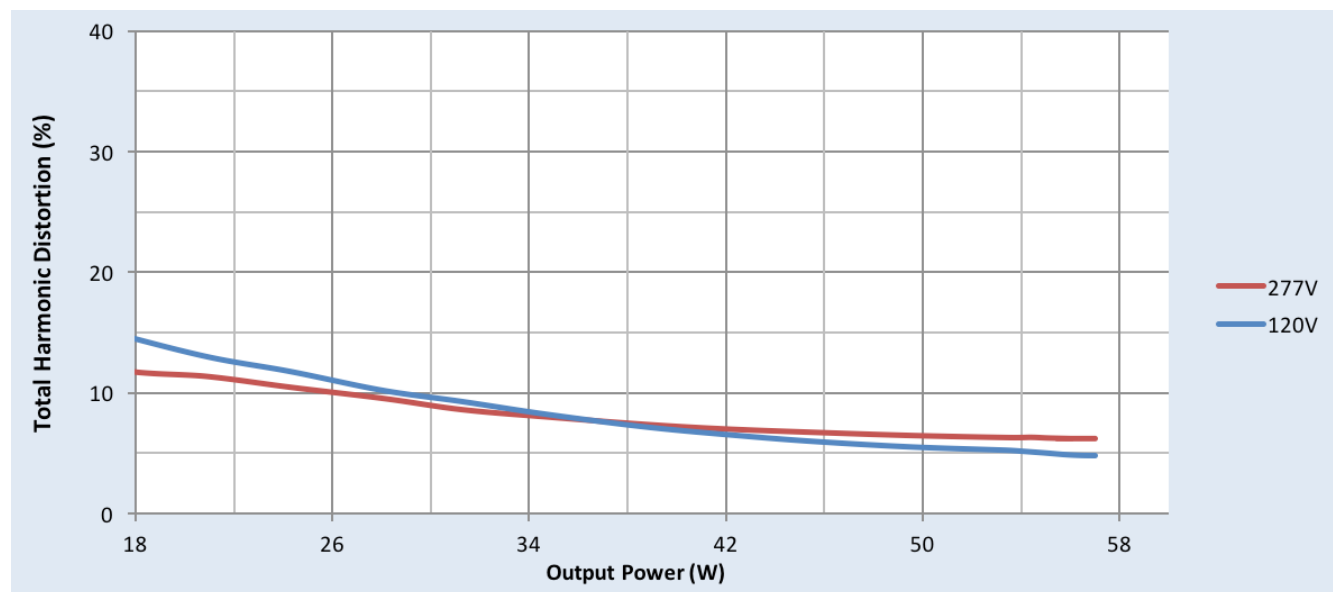
## Performance Characteristics

Based on measurements on a typical sample at 75°C case. The accuracy of the measurements is within the tolerance of the measurement instruments.

## Power Factor Vs. Output Power



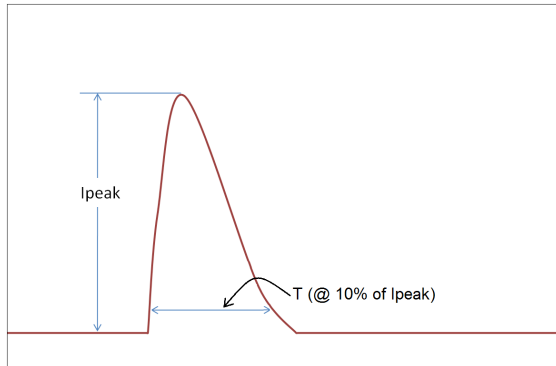
## Total Harmonic Distortion (THD) Vs. Output Power



# Xitanium XI055C180V054BSJ1

55W 0.1-1.8A 0-10V Dimming with SimpleSet

## Inrush Current Info



$V_{in}$	$I_{peak}$	$T$ (@ 10% of $I_{peak}$ )
120 Vrms	23 A	166.5 $\mu$ s
277 Vrms	51.5 A	158 $\mu$ s

Inrush current is measured at peak of the corresponding line voltage. Source impedance per NEMA 410.

## Lightning Surge Info

ANSI Surge Type	Differential Mode (L-N)	Common Mode (L-G, N-G, L&N-G)
1.2/50 $\mu$ s Combination Wave (w/t 2 $\Omega$ )	6kV	6kV

## Isolation

Isolation	Input	Output	0-10V	Enclosure
Input	NA	2xU+1kV	2.5kV	2xU+1kV
Output	2xU+1kV	NA	2.5kV	500
0-10V	2.5kV	2.5kV	NA	2.5kV
Enclosure	2xU+1kV	500	2.5kV	NA

U = Max. input voltage



© 2021 Signify Holding. All rights reserved. The information provided herein is subject to change, without notice. Signify does not give any representation or warranty as to the accuracy or completeness of the information included herein and shall not be liable for any action in reliance thereon. The information presented in this document is not intended as any commercial offer and does not form part of any quotation or contract, unless otherwise agreed by Signify.

Signify North America Corporation  
200 Franklin Square Drive,  
Somerset, NJ 08873  
Telephone 855-486-2216

Signify Canada Ltd.  
281 Hillmount Road,  
Markham, ON, Canada L6C 2S3  
Telephone 800-668-9008

All trademarks are owned by Signify Holding or their respective owners.