



## BOLT CLOSE CONDUIT/PIPE CLAMP, STEEL, 1" EMT, 1" RIGID/PIPE, 3/8" HOLE

### CATALOG NUMBER

---

**CD2B37**



### FEATURES

---

Retained bolt and built-in nut means there are less parts to handle or drop

Combo head bolt works with slotted, hex, #3 phillips or #2 robertson drivers

### PRODUCT ATTRIBUTES

---

Material: Steel

Finish: Electrogalvanized

Nut Type: Built-In Nut

Outer Diameter: 1.000" – 1.315"

EMT Conduit Size: 1"

Rigid Conduit/Pipe Size: 1"

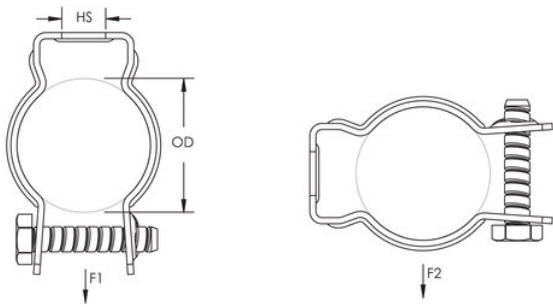
Hole Size: 3/8"

Static Load 1: 200 lb

Static Load 2: 50 lb

### DIAGRAMS

---



**WARNING**

nVent products shall be installed and used only as indicated in nVent's product instruction sheets and training materials. Instruction sheets are available at [www.nvent.com](http://www.nvent.com) and from your nVent customer service representative. Improper installation, misuse, misapplication or other failure to completely follow nVent's instructions and warnings may cause product malfunction, property damage, serious bodily injury and death and/or void your warranty.

**North America**

+1.800.753.9221  
 Option 1 – Customer Care  
 Option 2 – Technical Support

**Europe**

Netherlands:  
 +31 800-0200135  
 France:  
 +33 800 901 793

**Europe**

Germany:  
 800 1890272  
 Other Countries:  
 +31 13 5835404

**APAC**

Shanghai:  
 + 86 21 2412 1618/19  
 Sydney:  
 +61 2 9751 8500



Our powerful portfolio of brands:  
**nVent.com CADDY ERICO HOFFMAN RAYCHEM SCHROFF TRACER**

© 2022 nVent. All nVent marks and logos are owned or licensed by nVent Services GmbH or its affiliates. All other trademarks are the property of their respective owners.

nVent reserves the right to change specifications without notice.