

FUSION[®] WALL MOUNT SOLUTIONS

MICRO-ADJUSTABLE FIXED AND TILT MOUNTS

An industry favorite, Fusion[®] Fixed and Tilt Mounts were designed with installer feedback for superior speed and usability. Stability, less hardware, fast installation, improved cable management and more great features add up to benefits installers appreciate in our best wall mount yet. Accessories are available to customize any configuration.*

FEATURES

- ControlZone™ Height & Roll Adjustment is an industry-first feature for post-installation fine-tuning of height and leveling of the entire configuration, not just the display.
- Centerless™ Lateral Shift allows for up to 16" (406 mm) of post-installation lateral shift - 8" (203 mm) left/right of uprights. Enhancements include up to 3" (76 mm) of lateral shift in the wall plates. Dual-stud versions only.
- Centris[®] Low-Profile Tilt provides effortless, tool-free tilting by using the center of gravity to balance the screen.
- ClickConnect[®] Tool-Free Latching creates an audible click when the screen safely engages with the mount. A built-in cable stand allows easy access under the screen. Tuck Quick Store cords out of sight with the magnetized end.



ControlZone Height & Roll Adjustment



Centerless Lateral Shift



Centris Low-Profile Tilt

*See our Fusion™ Wall Mounts Brochure for more information on mounts and accessories.

LEGRAND | AV COMMERCIAL BRANDS

C2G | Chief | Da-Lite | Luxul | Middle Atlantic | Vaddio | Wiremold

FUSION[®] WALL MOUNT SOLUTIONS

SPECIFICATIONS



STMS1U
Small Tilt Mount,
Portrait/ Landscape



MSM1U
Medium Fixed Mount,
Landscape



LTM1U
Large Tilt Mount,
Landscape



XSM1U
Extra-Large Fixed Mount,
Landscape

MODEL	TYPICAL SCREEN SIZE	DEPTH FROM WALL	CENTERLESS LATERAL SHIFT	CENTRIS LOW-PROFILE TILT	MOUNTING PATTERN RANGE (W X H)	WEIGHT CAPACITY (DUAL STUD)	ORIENTATION
MSM1U*	26 - 47"	2" (51 mm)	12.9" (327 mm)	-	100 x 100 - 642 x 400 mm	125 lbs (56.7 kg)	Landscape
LSM1U	37 - 63"	2" (51 mm)	17.4" (441 mm)	-	100 x 100 - 871 x 500 mm	200 lbs (90.7 kg)	Landscape
XSM1U	55 - 82"	2.25" (57 mm)	21.4" (542 mm)	+2°	100 x 100 - 1070 x 600 mm	250 lbs (113.4 kg)	Landscape
STMS1U	24 - 32"	2" (51 mm)	-	+2° / -12°	75 x 75 - 300 x 300 mm	75 lbs (34 kg)	Landscape/ Portrait
MTMS1U	32 - 65"	2.1" (53 mm)	-	+2° / -12°	200 x 200 - 455 x 400 mm	75 lbs (34 kg)	Landscape/ Portrait
MTM1U*	32 - 65"	2" (51 mm)	12.9" (327 mm)	+2° / -12°	100 x 100 - 650 x 400 mm	125 lbs (56.7 kg)	Landscape
MTMP1U**	32 - 47"	3.23" (82 mm)	10.4" (265 mm)	+5° / -12°	100 x 100 - 570 x 600 mm	125 lbs (56.7 kg)*** 200 lbs (90.7 kg)	Portrait
LTM1U	42 - 86"	2" (51 mm)	17.4" (441 mm)	+2° / -12°	100 x 100 - 878 x 500 mm	200 lbs (90.7 kg)	Landscape
XTM1U	55 - 100"	2.5" (64 mm)	21.4" (542 mm)	+5° / -12°	100 x 100 - 1070 x 600 mm	250 lbs (113.4 kg)	Landscape

*Compatible with dual stud mounting only. **FCA1S** to accommodate single stud mounting.

Order **FHB5038 VESA[®] Adapter for compatibility with 800-1000 mm vertical patterns.

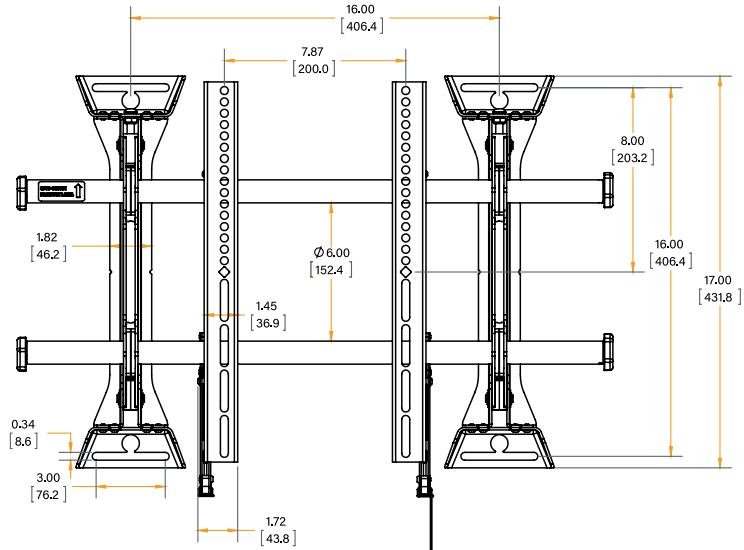
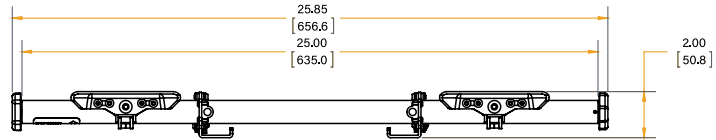
*** Single Stud Weight Capacity.

LEGRAND | AV COMMERCIAL BRANDS

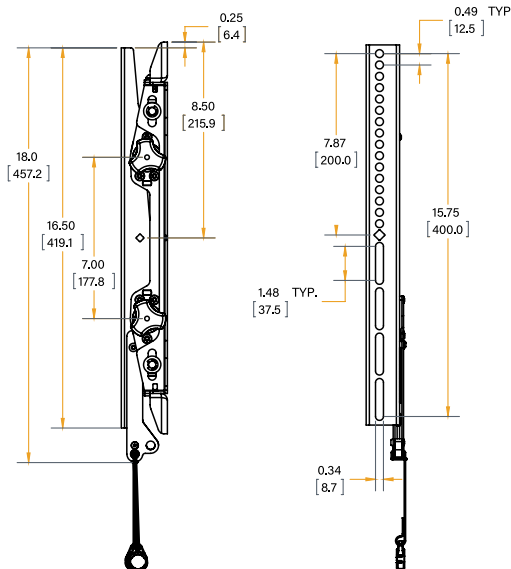
C2G | Chief | Da-Lite | Luxul | Middle Atlantic | Vaddio | Wiremold

FUSION® WALL MOUNT SOLUTIONS

MSM1U SPECIFICATIONS



RAILS CAN BE SLID LEFT OR RIGHT FOR OFFSET



Complete technical drawings and details can be downloaded on legrandav.com.

LEGRAND | AV COMMERCIAL BRANDS

C2G | Chief | Da-Lite | Luxul | Middle Atlantic | Vaddio | Wiremold