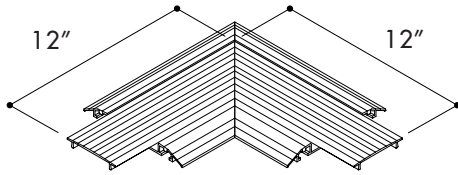


OPTIONAL ACCESSORIES



90° CORNER KIT *(Available May 2021)*

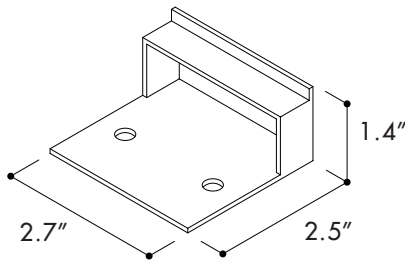
Allows Wireway to make a 90° turn.

Part Number:

CT.XPO.1-AC-C90-SV

Description:

EXPRESS on floor CORNER. 90 degree complete kit.



ROUGH-IN FRAME

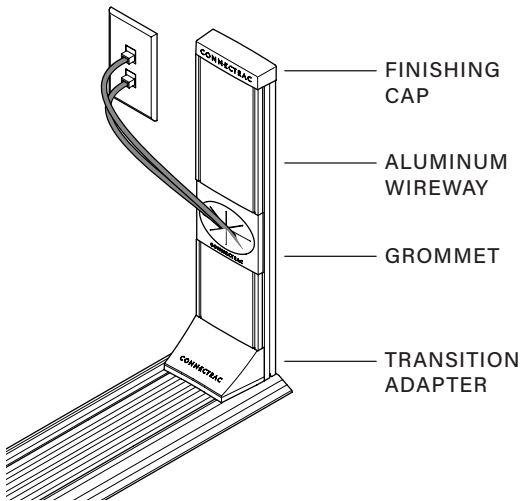
Installed before drywall to provide a rough opening for cabling.

Part Number:

CT.XPO.1-AC-RIF

Description:

Rough-In Frame



WALL CHANNEL KIT *(Available May 2021)*

The Wall Channel Kit comes in two sizes (2', 12') and is used when power/data cabling is running outside the wall. The 2' Wall Channel Kit is designed to connect to an existing wall outlet box, while the 12' Wall Channel Kit is designed for running conduit up the wall to connect to a junction box. Both sizes can be cut to size in the field.

Part Number:

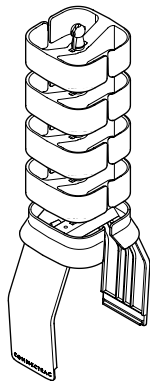
CT.XPO.1-AC-WT-02-SV

CT.XPO.1-AC-WT-12-SV

Description:

2' Wall Channel Kit

12' Wall Channel Kit



VERTICAL WIRE MANAGER

Attaches to any power or data device to manage cabling.

Part Number:

CT.AC-WMV.1-DG

Description:

Vertical Wire Manager