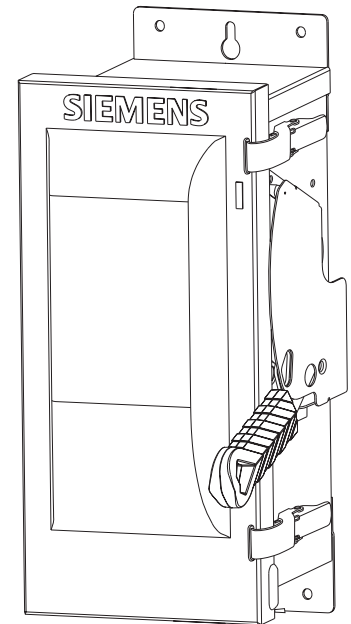


Heavy Duty Safety Switch Type VBII

60 Amp, Type 12 (Industrial)¹



General information

Catalog #	Volts	Description	Shipping weight (lbs)
HFC322J	240	3 Pole, 3 Wire, Fusible	20
HFC262J	600	2 Pole, 2 Wire, Fusible	20
HFC362J	600	3 Pole, 3 Wire, Fusible	20
HNFC262J	600	2 Pole, 2 Wire, Non-Fusible	20
HNFC362J	600	3 Pole, 3 Wire, Non-Fusible	19

Horsepower ratings^{1,2} – 240 Volts

Catalog #	1 Phase, 240V AC Std	Max	3 Phase, 240V AC Std	Max	250V DC
HFC322J	3	10	7½	15	—

Horsepower ratings^{2,3,4} – 600 Volts

Catalog #	1 Phase, 480V AC Std	Max	3 Phase, 600V AC Std	Max	600V DC
HFC262J	—	— ⁵	—	— ⁵	30
HFC362J	15	30	15	50	25
HNFC262J	—	— ⁵	—	— ⁵	30
HNFC362J ⁶	—	50	—	60	25

Accessories

Catalog #	Description
HA161234	One Normally Open and Closed Auxiliary Switches
HA261234	Two Normally Open and Closed Auxiliary Switches
HA361234	Low Voltage Auxiliary Switch
HG61234	Equipment Ground Lug Kit
HG261234	Isolated Equipment Ground Lug Kit
HP62	Fuse Puller (3 per kit) (HFC322J, HFC262J, HFC362J)
HNC623	Neutral Kit
HR612	240 Volt Class R Fuse Clip Kit (3 fuse clips per kit) (HFC322J)
HR62	600 Volt Class R Fuse Clip Kit (3 fuse clips per kit) (HFC262J, HFC362J)
HLC612	Copper Lug Kit (9 lugs per kit)
HCL623	Compression Lug Neutral Barrier Kit
SSH100	1.00" Type 12 Hub
SSH150	1.50" Type 12 Hub

Replacement parts

Catalog #	Description
HFB22	Fusible 240 Volt Line Side Replacement Base (HFC322J)
HBB22	Fusible 240 Volt Load Side Replacement Base (HFC322J)
HFB62	Fusible 600 Volt Line Side Replacement Base (HFC262J, HFC362J)
HBB62	Fusible 600 Volt Load Side Replacement Base (HFC262J, HFC362J)
HNB623	Non-Fusible 600 Replacement Base (HNFC262J, HNFC362J)
HH6123	Replacement Handle/Handle Guard
HL612	Replacement Lugs (3 lugs per kit)
HM6123	Replacement Mechanism
⁷	Replacement Door

Standards and ratings

- CSA#1079316
- Meets CSA C22.2 No.4-04 for switches
- Meets NEMA Standard KS-1 for enclosed switches
- Meets NEC wire bending space requirements
- Rated 10,000 AIC with Class H fuses or 200,000 AIC with Class R and J fuses
- Rated 100,000 AIC at 600Vdc with Class R or J fuses
- I²t rated (Amps² × seconds = 200,000)
- 12× overload current rating exceeds standard 10× industry standard
- Suitable for use as service entrance equipment, fusible only

Features

- Quick-make and break switching action
- Double break visible blade design
- Highly visible ON/OFF indication
- Rugged installer friendly enclosure design
- Modular design allows quick and easy replacement of parts
- Front removable lugs which can easily be converted to copper body or compression type lugs
- Defeatable dual cover interlock

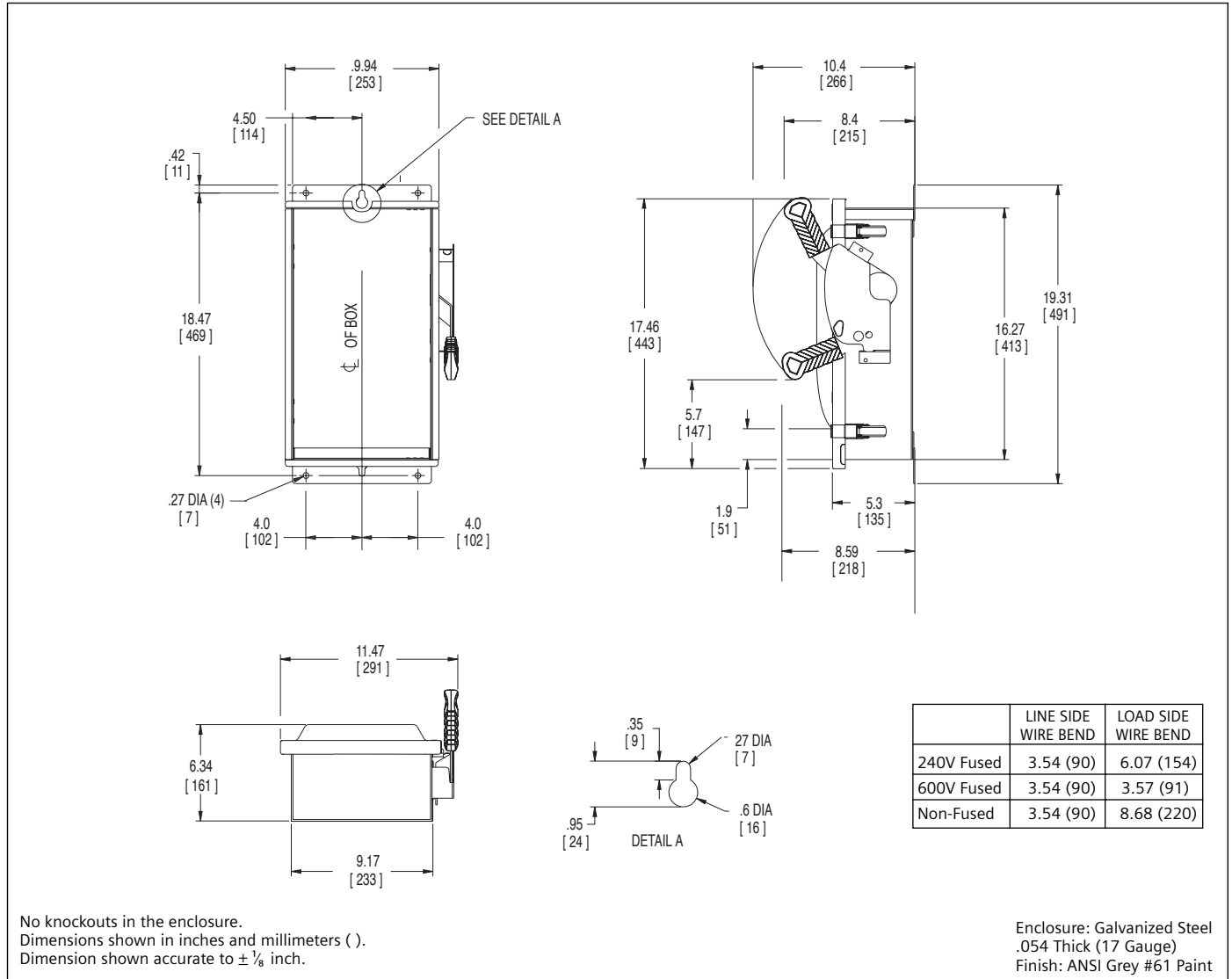
Mechanical Lug Wire Ranges (60/75°C, Cu/Al)

Description	Wire Range
Line, Load	#12-2 AWG (Al) or
Neutral	#14-2 AWG (Cu)
Ground	#14-4 AWG

Compression lugs⁸

Wire size	Burdny		Thomas-Betts		Ilsco	
	Cu only	Cu/Al	Cu only	Cu/Al	Cu only	Cu/Al
#14-10			256-30695-1352	60097		
#8	YA8C-L1 BOX YA8C-TC14	YA8CA3	54130 54930BE	60102 61102		ACL-8
#6	YA6C-L BOX YA6C	YA6CA1	54105 54905BE	60107 61107	CRB-6 CRB-6L	ACL-6
#4			54106	61112	CRB-4	

Dimension drawing



Published by
Siemens Canada Limited 2021

Siemens Canada Limited
1577 North Service Road East
Oakville, ON L6H0H6

Customer Interaction Centre
Tel: 1 (888) 303-3353
cic.ca@siemens.com

Order No. SI-EP-1756
Printed in Canada | All Rights Reserved
© 2021, Siemens Canada Limited

Specifications are subject to change
without notice.

¹ Also rated 3R/3S for outdoor use.

² Horsepower ratings listed also apply to Design E motors with no derating.

³ Dual horsepower ratings:
Std - applies when non-time delay fuses are installed.
Max - applies when time-delay fuses are installed.

⁴ Also rated 10HP at 250V DC.

⁵ Also rated 20HP at 480V and 25HP at 600V, 1 phase.

⁶ Also rated 20HP on 3Ø, 240V AC systems.

⁷ Place "DOOR" at the end of the switch catalog number.

⁸ If compression lugs are used for the neutral, order compression lug neutral barrier kit HCL623.