

# CF

## CEILING FAN HEATER



### THE SPACE-SAVER

Stelpro has the perfect space-saving solution for heating small entryways, hallways and lobbies: the sturdy, reliable CF ceiling fan heater. Built to last, the CF pushes heat downward so that it mixes with the cold air below. It can be surface mounted or recessed into conventional ceilings or recessed in suspended ceilings. Whether installed in an entryway or hallway, the CF provides all the heat you need in an enclosed space.

**GRILLE WITH ROUNDED SIDES**  
DURABLE AND STYLISH

**THE PERFECT SOLUTION FOR ENTRYWAYS AND HALLWAYS**

**CEILING MOUNTED**  
PREVENTS VANDALISM

**MULTIPLE INSTALLATION OPTIONS**  
CAN BE SURFACE MOUNTED OR RECESSED – OR RECESSED IN A SUSPENDED CEILING

**OPTIONAL DISCONNECT SWITCH AVAILABLE**



ROUNDED SIDES

**IDEAL FOR:**

entryway, hallway, corridor, office building

**COLOURS**

- **standard:** white, soft white
- **luxury finish:** stainless steel

**FINISH**

- epoxy-polyester powdercoat or stainless steel

**MANUFACTURING**

- 20-gauge steel cabinet and 18-gauge steel grille
- fan: 1 x 160 CFM (single unit) – 2 x 160 CFM (double unit)
- thermal protection with automatic reset

**ELEMENT**

- nichrome element producing instant heat

**CONTROL**

- connection of multiple units to the same thermostat is possible with a relay kit without transformer (optional) and an external transformer (not provided)

**INSTALLATION**

- ceiling
- recessed or surface mounted with surface adapter (optional)
- T-Bar adapter (optional)

**WARRANTY**

- three years

# TECHNICAL SPECIFICATIONS

WITHOUT CONTROL	BUILT-IN THERMOSTAT	240 V CONTROL	24 V CONTROL		POWER	VOLTAGE	WEIGHT	MODEL
CODE	CODE	CODE	CODE		WATTS	VOLTS	KG LB	UNIT
CF1508	CF1508T	CF1508C	CF1508C24		1500	208	9 20	SINGLE
CF1502	CF1502T	CF1502C	CF1502C24		1500/1125	240/208	9 20	SINGLE
CF1503	CF1503T	CF1503C	CF1503C24		1500	347	9 20	SINGLE
---	CF1506T	CF1506C	CF1506C24		1500	600	10 22	SINGLE
CF2008	CF2008T	CF2008C	CF2008C24		2000	208	9 20	SINGLE
CF2002	CF2002T	CF2002C	CF2002C24		2000/1500	240/208	9 20	SINGLE
CF2003	CF2003T	CF2003C	CF2003C24		2000	347	9 20	SINGLE
---	CF2006T	CF2006C	CF2006C24		2000	600	10 22	SINGLE
CF3008	CF3008T	CF3008C	CF3008C24		3000	208	9 20	SINGLE
CF3002	CF3002T	CF3002C	CF3002C24		3000/2250	240/208	9 20	SINGLE
CF3003	CF3003T	CF3003C	CF3003C24		3000	347	9 20	SINGLE
---	CF3006T	CF3006C	CF3006C24		3000	600	10 22	SINGLE
CF4008	CF4008T	CF4008C	CF4008C24		4000	208	9 20	SINGLE
CF4002	CF4002T	CF4002C	CF4002C24		4000/3000	240/208	9 20	SINGLE
CF4003	CF4003T	CF4003C	CF4003C24		4000	347	9 20	SINGLE
---	CF4006T	CF4006C	CF4006C24		4000	600	10 22	SINGLE
---	CF6008CT	CF6008C	CF6008C24		6000	208	18 40	DOUBLE
---	CF6002T	CF6002C	CF6002C24		6000/4500	240/208	18 40	DOUBLE
---	CF6003T	CF6003C	CF6003C24		6000	347	18 40	DOUBLE
---	CF6006T	CF6006C	CF6006C24		6000	600	20 44	DOUBLE
---	CF8008CT	CF8008C	CF8008C24		8000	208	18 40	DOUBLE
---	CF8002CT	CF8002C	CF8002C24		8000/6000	240/208	18 40	DOUBLE
---	CF8003CT	CF8003C	CF8003C24		8000	347	18 40	DOUBLE
---	CF8006CT	CF8006C	CF8006C24		8000	600	20 44	DOUBLE

Add W for white, SW for soft white or SS for stainless steel Models also available in 277 V and 480 V.  
 --- not available

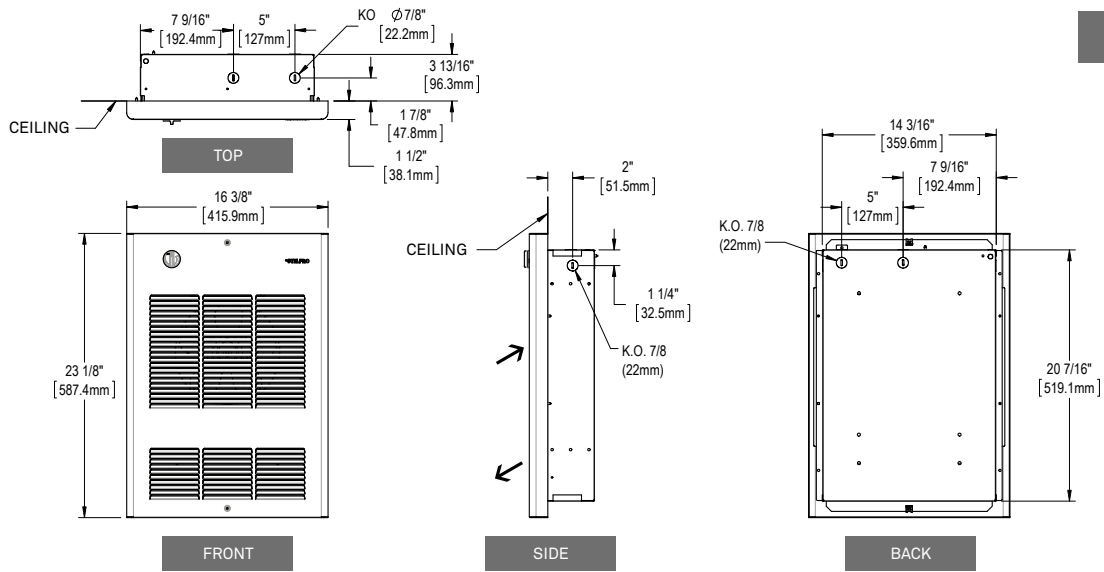
# ACCESSORIES

PRODUCT	DESCRIPTION
WFT1	built-in single pole thermostat [120 V-600 V]
WFT2	built-in double pole thermostat [120 V-600 V]
WFSA1*	surface adapter (single unit)
WFSA2*	surface adapter (double unit)
WFSA1SS	stainless steel surface adapter (single unit)
WFSA2SS	stainless steel surface adapter (double unit)
WFDIS-30*	disconnect switch kit 600 V/30 A, 2 poles
WFDIS-40*	disconnect switch kit 600 V/40 A, 2 poles/3 poles
WFDIS-60*	disconnect switch kit 600 V/60 A, 2 poles/3 poles
CFTBA1*	T-Bar adapter (single unit)
CFTBA2*	T-Bar adapter (double unit)
CFTBA1SS	stainless steel T-Bar adapter (single unit)
CFTBA2SS	stainless steel T-Bar adapter (double unit)
WFC24RX*	relay kit without transformer 24 V

\* Add W for white or SW for soft white.  
 \* Factory installation

# TECHNICAL DRAWINGS

## SINGLE UNIT



## DOUBLE UNIT

