

SHC

CONVECTOR



EFFICIENT HEATING

Our SHC convector has pleasing rounded sides and beautiful modern lines. It is available with or without an ultra-accurate built-in electronic thermostat, so you can choose the level of control you want. This attractive unit is available in two colours and many voltages making it suitable for both commercial and residential applications. A real gem!

EXCELLENT VALUE

TOTALLY QUIET

BUILT-IN ELECTRONIC THERMOSTAT (OPTIONAL) WITH A BACKLIT SCREEN

ADAPTS TO MULTIPLE MARKETS AVAILABLE IN: 120 V, 208 V, 240 V, 347 V AND 600 V

COLOURS

- **standard:** white, soft white
- **luxury finish:** stainless steel

FINISH

- epoxy-polyester powdercoat or stainless steel

MANUFACTURING

- 22-gauge steel cabinet and 20-gauge steel front
- the cabinet height improves the chimney effect
- bottom air intake and front air discharge
- 6 ft (2 m) 16 gage molded cable with 3-prong grounded, 120 V plug (SHC1501P model)

ELEMENTS

- two stainless steel tubular sheathed elements insulated with nylon sleeves to reduce expansion and contraction noises

CONTROL

- electronic thermostat required: built-in electronic thermostat with LCD screen (optional) or electronic wall thermostat (not included)

INSTALLATION

- surface mounted only
- wall mounted at least 4 in. from the floor
- concealed mounting bracket (included)
- back entry plate with cable clamps (included)

WARRANTY

- five years, *three years on electronic components



ALSO AVAILABLE
QUICK PLUG-IN INTO RESIDENTIAL
120 V OUTLET

IDEAL FOR:

kitchen, living room, bedroom, office, basement,
commercial space

TECHNICAL SPECIFICATIONS

BUILT-IN THERMOSTAT	WITHOUT THERMOSTAT	POWER	VOLTAGE	HEIGHT	LENGTH	WEIGHT				
CODE	CODE	WATTS	VOLTS	MM	IN.	KG	LB			
SHC0501	SHC0501WC	500	120	446	17 9/16	440	17 5/16	5.1	11.2	
SHC0508	SHC0508WC	500	208	446	17 9/16	440	17 5/16	5.1	11.2	
SHC0502	SHC0502WC	500/375	240/208	446	17 9/16	440	17 5/16	5.1	11.2	
---	SHC0503WC	500	347	446	17 9/16	440	17 5/16	5.1	11.2	
SHC1001	SHC1001WC	1000	120	446	17 9/16	581	22 7/8	6.0	13.3	
SHC1008	SHC1008WC	1000	208	446	17 9/16	581	22 7/8	6.0	13.3	
SHC1002	SHC1002WC	1000/750	240/208	446	17 9/16	581	22 7/8	6.0	13.3	
---	SHC1003WC	1000	347	446	17 9/16	581	22 7/8	6.0	13.3	
---	SHC1006WC	1000	600	446	17 9/16	581	22 7/8	6.0	13.3	
SHC1501	SHC1501WC	1500	120	446	17 9/16	727	28 5/8	7.1	15.7	
SHC1508	SHC1508WC	1500	208	446	17 9/16	727	28 5/8	7.1	15.7	
SHC1502	SHC1502WC	1500/1125	240/208	446	17 9/16	727	28 5/8	7.1	15.7	
---	SHC1503WC	1500	347	446	17 9/16	727	28 5/8	7.1	15.7	
---	SHC1506WC	1500	600	446	17 9/16	727	28 5/8	7.1	15.7	
SHC2008	SHC2008WC	2000	208	446	17 9/16	889	35	8.6	18.9	
SHC2002	SHC2002WC	2000/1500	240/208	446	17 9/16	889	35	8.6	18.9	
---	SHC2003WC	2000	347	446	17 9/16	889	35	8.6	18.9	
---	SHC2006WC	2000	600	446	17 9/16	889	35	8.6	18.9	
MODEL WITH 120 V PLUG (RESIDENTIAL OUTLET)										
SHC1501P*	---	1500	120	446	17 9/16	727	28 5/8	7.1	15.7	

Add W for white, SW for soft white or SS for stainless steel
Mechanical wall thermostats are not compatible with the without thermostat model (WC). An electronic thermostat is required.

ACCESSORIES

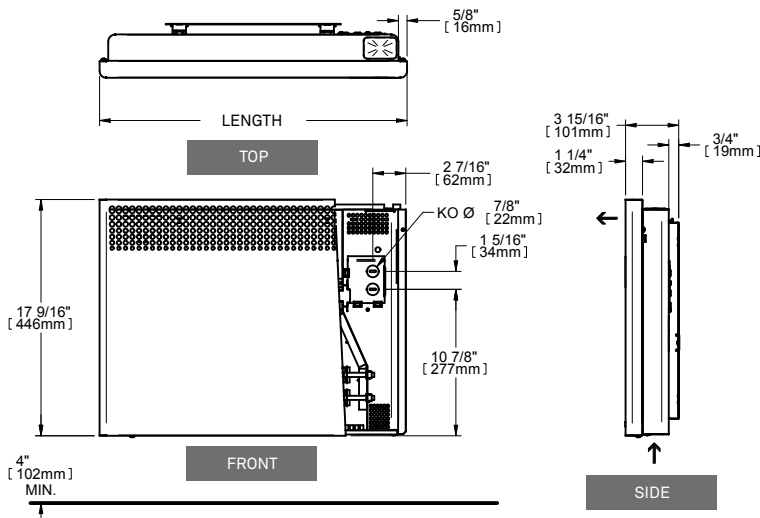
PRODUCT	DESCRIPTION	PRICE
SHCRE153*	built-in electronic low voltage relay [15 A @ 120 V-347 V]	
SHCRE156*	built-in electronic low voltage relay [6 A @ 600 V]	
SHCRE153T*	built-in electronic low voltage relay c/w transformer 24 V [15 A @ 208 V-347 V]	

Electronic relays can receive a PWM (pulsed width modulation) or digital (on/off) signal.
* Factory installed



BUILT-IN ELECTRONIC THERMOSTAT AVAILABLE FOR THE 120 V TO 240 V MODELS

TECHNICAL DRAWINGS



INNOVATIVE LOOK
ROUNDED EDGES AND MODERN LINES



STAINLESS STEEL MODEL (SS) WITH BLACK CABINET