

MIR | MIRAGE™

CONVECTOR



MIRAGE™

THE MOST DISCREET ON THE MARKET!

The Mirage convector has a unique, modern and discreet look and offers unquestionable efficiency. Available with or without an ultra-precise integrated electronic thermostat and in several voltages, the Mirage is suitable for rooms in homes or businesses. With its simple facade and elegant design, the Mirage blends in with any decor.

BLENDS IN WITH ANY DECOR

STURDY ONE-PIECE FRONT PANEL

TOTALLY QUIET

BUILT-IN ELECTRONIC THERMOSTAT (OPTIONAL) WITH BACKLIT SCREEN

ADAPTS TO MULTIPLE MARKETS AVAILABLE IN 120 V, 208 V, 240 V, 347 V AND 600 V



ALSO AVAILABLE
QUICK PLUG-IN INTO
RESIDENTIAL 120 V OUTLET

IDEAL FOR:

kitchen, living room, bedroom, basement,
commercial space, office

COLOURS

- **standard:** white, soft white
- **luxury finish:** stainless steel

FINISH

- epoxy-polyester powdercoat
or stainless steel

MANUFACTURING

- 20-gauge steel cabinet and front
- the cabinet height improves the chimney effect
- bottom air intake and top air discharge
- 6 ft (2 m) 16 gage molded cable with 3-prong grounded, 120 V plug (MIR1501P model)

ELEMENTS

- two stainless steel tubular sheathed elements insulated with nylon sleeves reducing expansion and contraction noises

CONTROL

- electronic thermostat required: built-in electronic thermostat with LCD screen (optional) or electronic wall thermostat (not included)
- automatic temperature lowering at night (Automatic mode)
- maximum temperature setpoint lock option (Security mode)

INSTALLATION

- surface mounted only
- wall mounted at least 4 in. from the floor
- concealed mounting bracket (included)
- back entry plate with cable clamps (included)

WARRANTY

- five years, *three years on electronic components

TECHNICAL SPECIFICATIONS

BUILT-IN THERMOSTAT		WITHOUT THERMOSTAT		POWER	VOLTAGE	HEIGHT		LENGTH		WEIGHT	
CODE		CODE		WATTS	VOLTS	MM	IN.	MM	IN.	KG	LB
MIR0501		MIR0501WC		500	120	457	18	444	17 1/2	5.3	11.75
MIR0508		MIR0508WC		500	208	457	18	444	17 1/2	5.3	11.75
MIR0502		MIR0502WC		500/375	240/208	457	18	444	17 1/2	5.3	11.75
---		MIR0503WC		500	347	457	18	444	17 1/2	5.3	11.75
MIR1001		MIR1001WC		1000	120	457	18	597	23 1/2	6.7	14.75
MIR1008		MIR1008WC		1000	208	457	18	597	23 1/2	6.7	14.75
MIR1002		MIR1002WC		1000/750	240/208	457	18	597	23 1/2	6.7	14.75
---		MIR1003WC		1000	347	457	18	597	23 1/2	6.7	14.75
---		MIR1006WC		1000	600	457	18	597	23 1/2	6.7	14.75
MIR1501		MIR1501WC		1500	120	457	18	749	29 1/2	8	17.75
MIR1508		MIR1508WC		1500	208	457	18	749	29 1/2	8	17.75
MIR1502		MIR1502WC		1500/1125	240/208	457	18	749	29 1/2	8	17.75
---		MIR1503WC		1500	347	457	18	749	29 1/2	8	17.75
---		MIR1506WC		1500	600	457	18	749	29 1/2	8	17.75
MIR2008		MIR2008WC		2000	208	457	18	902	35 1/2	9.4	20.75
MIR2002		MIR2002WC		2000/1500	240/208	457	18	902	35 1/2	9.4	20.75
---		MIR2003WC		2000	347	457	18	902	35 1/2	9.4	20.75
---		MIR2006WC		2000	600	457	18	902	35 1/2	9.4	20.75
MODEL WITH 120 V PLUG (RESIDENTIAL OUTLET)											
MIR1501P*	---	---	---	1500	120	457	18	749	29 1/2	8	17.75

Add W for white, SW for soft white or SS for stainless steel

Mechanical wall thermostats are not compatible with the without thermostat model (WC). An electronic thermostat is required. Models also available in 277 V and 480 V. * Available in white only

--- not available

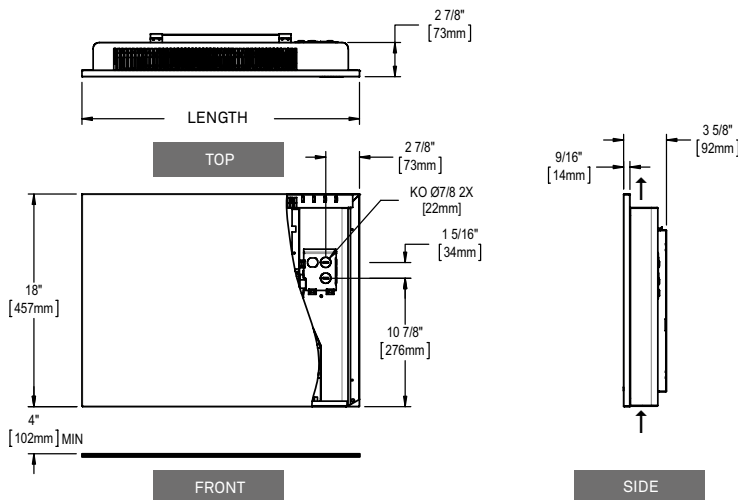
ACCESSORIES

PRODUCT	DESCRIPTION
MIRRE153*	built-in electronic low voltage relay [15 A @ 120 V-347 V]
MIRRE156*	built-in electronic low voltage relay [6 A @ 600 V]
MIRRE153T*	built-in electronic low voltage relay c/w transformer 24 V [15 A @ 208 V-347 V]

Electronic relays can receive a PWM (pulsed width modulation) or digital (on/off) signal.

* Factory installed

TECHNICAL DRAWINGS



BUILT-IN ELECTRONIC THERMOSTAT AVAILABLE FOR THE 120 V TO 240 V MODELS