

# ALUX1 | ALUX™

## MINI ARCHITECTURAL ALUMINUM BASEBOARD



### THE SMALLEST IN ITS CLASS

A mini baseboard that lives up to the great expectations of designers, architects and engineers alike. Only 4 1/2 in. high and 2 in. deep, the ALUX1 can be installed in locations previously thought impossible. Discreetly blending into the decor, the ALUX1 mini architectural baseboard heater is solid, powerful and elegant all at once. Even though it is compact in size, the ALUX1 conforms to the strictest standards.

#### EXTRUDED ALUMINUM FRONT AND TOP COVER

WITH A UNIQUE, LUXURY DESIGN

#### EXTREMELY SOLID, IMPACT AND RUST RESISTANT

#### VERSATILE

ADAPTS TO ANY BUILDING'S  
ARCHITECTURE

#### PERSONALIZED INSTALLATION

BLANK SECTIONS, PEDESTALS AND  
CLEAN BACKS AVAILABLE

#### COLOURS

- **standard:** white, soft white
- **luxury finish:** anodized aluminum

#### FINISH

- epoxy-polyester powdercoat or anodized aluminum finish

#### MANUFACTURING

- 2 in. x 4 1/2 in. compact profile
- solid 20-gauge steel cabinet
- extremely resistant extruded aluminum front cover with a thickness equivalent to 10 gauge
- bottom air intake and top air discharge
- thermal protection with automatic reset
- full-length wireway

#### ELEMENT

- single tubular, stainless steel sheathed element with boxed aluminum fins for improved heat dissipation; the element is securely fastened at its centre, floating in nylon sleeves at each end, eliminating expansion and contraction noises

#### CONTROL

- wall thermostat (not included) – the use of an electronic thermostat is strongly recommended
- built-in tamper-proof thermostat accessible without removing front grille, installed in the left junction box only (optional)
- low voltage relay kit installed in the left junction box only (optional)

#### INSTALLATION

- surface mounted
- wall or floor mounted with or without pedestal kit (optional)
- at least 2 in. from the floor
- wiring compartment at both ends of unit
- for a continuous look, custom blank sections with a simple attachment system are available (optional)

#### WARRANTY

- three years

#### IDEAL FOR:

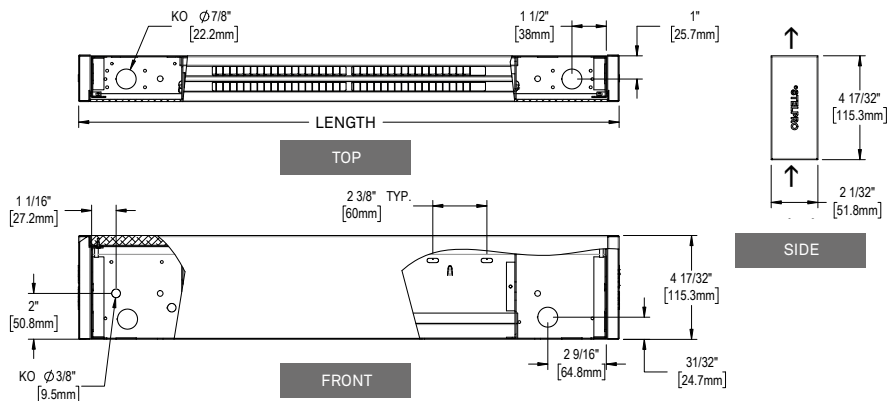
commercial building or shopping mall, hospital, office, private residence, hotel

# TECHNICAL SPECIFICATIONS

DENSITY OF 150 W PER LINEAR FOOT		DENSITY OF 100 W PER LINEAR FOOT		VOLTAGE	LENGTH		WEIGHT	
CODE	WATTS	CODE	WATTS	VOLTS	MM	IN.	KG	LB
ALUX106031	300	---	---	120	600	23 5/8	2.9	6.4
ALUX106038	300	---	---	208	600	23 5/8	2.9	6.4
ALUX106032	300	---	---	240	600	23 5/8	2.9	6.4
---	300	---	---	347	600	23 5/8	2.9	6.4
---	300	---	---	600	600	23 5/8	2.9	6.4
ALUX109041	450	ALUX109031	300	120	900	35 7/16	4.2	9.1
ALUX109048	450	ALUX109038	300	208	900	35 7/16	4.2	9.1
ALUX109042	450	ALUX109032	300	240	900	35 7/16	4.2	9.1
ALUX109043	450	---	300	347	900	35 7/16	4.2	9.1
---	450	---	---	600	900	35 7/16	4.2	9.1
ALUX112061	600	ALUX112041	400	120	1200	47 1/4	6.2	13.6
ALUX112068	600	ALUX112048	400	208	1200	47 1/4	6.2	13.6
ALUX112062	600	ALUX112042	400	240	1200	47 1/4	6.2	13.6
ALUX112063	600	ALUX112043	400	347	1200	47 1/4	6.2	13.6
---	600	---	---	600	1200	47 1/4	6.2	13.6
ALUX115071	750	ALUX115051	500	120	1500	59 1/16	7.7	16.8
ALUX115078	750	ALUX115058	500	208	1500	59 1/16	7.7	16.8
ALUX115072	750	ALUX115052	500	240	1500	59 1/16	7.7	16.8
ALUX115073	750	ALUX115053	500	347	1500	59 1/16	7.7	16.8
ALUX115076	750	---	---	600	1500	59 1/16	7.7	16.8
ALUX118091	900	ALUX118061	600	120	1800	70 7/8	9.1	20.0
ALUX118098	900	ALUX118068	600	208	1800	70 7/8	9.1	20.0
ALUX118092	900	ALUX118062	600	240	1800	70 7/8	9.1	20.0
ALUX118093	900	ALUX118063	600	347	1800	70 7/8	9.1	20.0
ALUX118096	900	ALUX118066	600	600	1800	70 7/8	9.1	20.0
ALUX121101	1050	ALUX121071	700	120	2100	82 11/16	10.5	23.1
ALUX121108	1050	ALUX121078	700	208	2100	82 11/16	10.5	23.1
ALUX121102	1050	ALUX121072	700	240	2100	82 11/16	10.5	23.1
ALUX121103	1050	ALUX121073	700	347	2100	82 11/16	10.5	23.1
ALUX121106	1050	ALUX121076	700	600	2100	82 11/16	10.5	23.1
ALUX124121	1200	ALUX124081	800	120	2400	94 1/2	12.2	26.7
ALUX124128	1200	ALUX124088	800	208	2400	94 1/2	12.2	26.7
ALUX124122	1200	ALUX124082	800	240	2400	94 1/2	12.2	26.7
ALUX124123	1200	ALUX124083	800	347	2400	94 1/2	12.2	26.7
ALUX124126	1200	ALUX124086	800	600	2400	94 1/2	12.2	26.7
ALUX127138	1350	ALUX127098	900	208	2700	106 5/16	12.2	26.7
ALUX127132	1350	ALUX127092	900	240	2700	106 5/16	12.2	26.7
ALUX127133	1350	ALUX127093	900	347	2700	106 5/16	12.2	26.7
ALUX127136	1350	ALUX127096	900	600	2700	106 5/16	12.2	26.7

Add W for white, SW for soft white or CA for clear anodized (finish)

## TECHNICAL DRAWINGS





## ACCESSORIES

PRODUCT	DESCRIPTION
<b>ALUX1T12*</b>	built-in tamper-proof single pole thermostat
<b>ALUX1RE153*</b>	built-in electronic low voltage relay [15 A @ 120 V-347 V]
<b>ALUX1RE156*</b>	built-in electronic low voltage relay [6 A @ 600 V]
<b>ALUX1RE153T*</b>	built-in electronic low voltage relay c/w transformer 24 V [15 A @ 208 V-347 V]
<b>PK4*</b>	pedestal kit – single (kit of two)
<b>PK4CAP</b>	anodized aluminum (paint) pedestal kit – single (kit of two)
<b>PK4D*</b>	pedestal kit – double (kit of two)
<b>PK4DCAP</b>	anodized aluminum (paint) pedestal kit – double (kit of two)
<b>ALUX1JS*</b>	joiner strip (2 in. – 51 mm)
<b>ALUX1JSCAP</b>	anodized aluminum (paint) joiner strip (2 in. – 51 mm)
<b>ALUX1IC90*</b>	inside corner (back measures 5 11/16 in. – 145 mm long on each side)
<b>ALUX1IC90CA</b>	anodized aluminum (finish) inside corner (back measures 5 11/16 in. – 145 mm long on each side)
<b>ALUX1OC90*</b>	outside corner (back measures 5 11/16 in. – 145 mm long on each side)
<b>ALUX1OC90CA</b>	anodized aluminum (finish) outside corner (back measures 5 11/16 in. – 145 mm long on each side)
<b>ALUX1CB**</b>	clean back (fully finished, no mounting holes or knockouts)

Electronic relays can receive a PWM (pulsed width modulation) or digital (on/off) signal.

\* Add W for white or SW for soft white.

\*\* Factory installed

