

# ALUX4 | ALUX™

## ARCHITECTURAL ALUMINUM BASEBOARD



### A HEATER WITH A LOT TO OFFER

The ALUX4 is an impressive blend of contemporary design and superior performance. Its durable steel cabinet is decorated with an elegant aluminum grille and offers a remarkable heat density of 500 W per linear foot. Its unique airflow configuration complements its appearance making it the leader in its class and a popular choice for professionals in the industry.

#### EXTRUDED ALUMINUM FRONT AND TOP COVER

WITH A UNIQUE, LUXURY DESIGN

#### EXTREMELY SOLID, IMPACT AND RUST RESISTANT

#### OFFERED IN THREE WATT DENSITIES

#### PERSONALIZED INSTALLATION BLANK SECTIONS, PEDESTALS AND CLEAN BACKS AVAILABLE

#### IDEAL FOR:

shopping mall, hospital, office, hotel, lobby, hallway

#### COLOURS

- **standard:** white, soft white
- **luxury finish:** anodized aluminum

#### FINISH

- epoxy-polyester powdercoat or anodized aluminum finish

#### MANUFACTURING

- dimensions: 4 3/8 in. x 6 3/4 in.
- solid 20-gauge steel cabinet and extremely resistant extruded aluminum front cover with a thickness equivalent to 10 gauge
- front air intake and top air discharge (bottom air intake available on demand [BT])
- thermal protection with automatic reset
- full-length wireway
- pencil-proof openings of less than 1/4 in. (6.4 mm) prevent foreign objects from entering the unit

#### ELEMENTS

- double tubular elements, stainless steel sheathed with boxed aluminum fins for improved heat dissipation; the elements are securely fastened at their centres, floating in nylon sleeves at each end, eliminating expansion and contraction noises

#### CONTROL

- wall thermostat (not included) – the use of an electronic thermostat is strongly recommended
- built-in tamper-proof thermostat accessible without removing front grille, installed in the left or right junction box (optional)
- low voltage relay kit installed in the left or right junction box (optional)

#### INSTALLATION

- surface mounted
- wall or floor mounted with or without pedestal kit (optional)
- at least 3 in. from the floor (models with BT option only)
- wiring compartments at both ends of unit
- for a continuous look, custom blank sections with a simple attachment system are available (optional)

#### WARRANTY

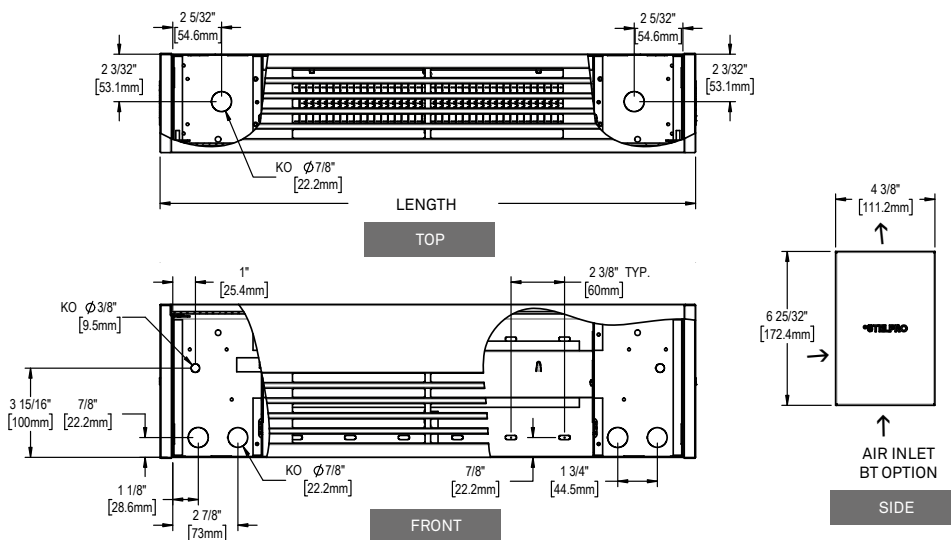
- three years

# TECHNICAL SPECIFICATIONS

| DENSITY OF 500 W PER LINEAR FOOT |       | DENSITY OF 400 W PER LINEAR FOOT |       | DENSITY OF 300 W PER LINEAR FOOT |       | VOLTAGE | LENGTH |          | WEIGHT |    |
|----------------------------------|-------|----------------------------------|-------|----------------------------------|-------|---------|--------|----------|--------|----|
| CODE                             | WATTS | CODE                             | WATTS | CODE                             | WATTS | VOLTS   | MM     | IN.      | KG     | LB |
| ALUX406108                       | 1000  | ALUX406088                       | 800   | ALUX406068                       | 600   | 208     | 600    | 23 5/8   | 4.1    | 9  |
| ALUX406102                       | 1000  | ALUX406082                       | 800   | ALUX406062                       | 600   | 240     | 600    | 23 5/8   | 4.1    | 9  |
| ALUX406103                       | 1000  | ---                              | 800   | ---                              | 600   | 347     | 600    | 23 5/8   | 4.1    | 9  |
| ---                              | 1000  | ---                              | 800   | ---                              | 600   | 600     | 600    | 23 5/8   | 4.1    | 9  |
| ALUX409158                       | 1500  | ALUX409128                       | 1200  | ALUX409098                       | 900   | 208     | 900    | 35 7/16  | 5.9    | 13 |
| ALUX409152                       | 1500  | ALUX409122                       | 1200  | ALUX409092                       | 900   | 240     | 900    | 35 7/16  | 5.9    | 13 |
| ALUX409153                       | 1500  | ALUX409123                       | 1200  | ALUX409093                       | 900   | 347     | 900    | 35 7/16  | 5.9    | 13 |
| ALUX409156                       | 1500  | ---                              | 1200  | ---                              | 900   | 600     | 900    | 35 7/16  | 5.9    | 13 |
| ALUX412208                       | 2000  | ALUX412168                       | 1600  | ALUX412128                       | 1200  | 208     | 1200   | 47 1/4   | 7.7    | 17 |
| ALUX412202                       | 2000  | ALUX412162                       | 1600  | ALUX412122                       | 1200  | 240     | 1200   | 47 1/4   | 7.7    | 17 |
| ALUX412203                       | 2000  | ALUX412163                       | 1600  | ALUX412123                       | 1200  | 347     | 1200   | 47 1/4   | 7.7    | 17 |
| ALUX412206                       | 2000  | ALUX412166                       | 1600  | ---                              | 1200  | 600     | 1200   | 47 1/4   | 7.7    | 17 |
| ALUX415258                       | 2500  | ALUX415208                       | 2000  | ALUX415158                       | 1500  | 208     | 1500   | 59 1/16  | 9.1    | 20 |
| ALUX415252                       | 2500  | ALUX415202                       | 2000  | ALUX415152                       | 1500  | 240     | 1500   | 59 1/16  | 9.1    | 20 |
| ALUX415253                       | 2500  | ALUX415203                       | 2000  | ALUX415153                       | 1500  | 347     | 1500   | 59 1/16  | 9.1    | 20 |
| ALUX415256                       | 2500  | ALUX415206                       | 2000  | ALUX415156                       | 1500  | 600     | 1500   | 59 1/16  | 9.1    | 20 |
| ALUX418308                       | 3000  | ALUX418248                       | 2400  | ALUX418188                       | 1800  | 208     | 1800   | 70 7/8   | 11.3   | 25 |
| ALUX418302                       | 3000  | ALUX418242                       | 2400  | ALUX418182                       | 1800  | 240     | 1800   | 70 7/8   | 11.3   | 25 |
| ALUX418303                       | 3000  | ALUX418243                       | 2400  | ALUX418183                       | 1800  | 347     | 1800   | 70 7/8   | 11.3   | 25 |
| ALUX418306                       | 3000  | ALUX418246                       | 2400  | ALUX418186                       | 1800  | 600     | 1800   | 70 7/8   | 11.3   | 25 |
| ALUX421358                       | 3500  | ALUX421288                       | 2800  | ALUX421218                       | 2100  | 208     | 2100   | 82 11/16 | 13.2   | 29 |
| ALUX421352                       | 3500  | ALUX421282                       | 2800  | ALUX421212                       | 2100  | 240     | 2100   | 82 11/16 | 13.2   | 29 |
| ALUX421353                       | 3500  | ALUX421283                       | 2800  | ALUX421213                       | 2100  | 347     | 2100   | 82 11/16 | 13.2   | 29 |
| ALUX421356                       | 3500  | ALUX421286                       | 2800  | ALUX421216                       | 2100  | 600     | 2100   | 82 11/16 | 13.2   | 29 |
| ALUX424408                       | 4000  | ALUX424328                       | 3200  | ALUX424248                       | 2400  | 208     | 2400   | 94 1/2   | 15.4   | 34 |
| ALUX424402                       | 4000  | ALUX424322                       | 3200  | ALUX424242                       | 2400  | 240     | 2400   | 94 1/2   | 15.4   | 34 |
| ALUX424403                       | 4000  | ALUX424323                       | 3200  | ALUX424243                       | 2400  | 347     | 2400   | 94 1/2   | 15.4   | 34 |
| ALUX424406                       | 4000  | ALUX424326                       | 3200  | ALUX424246                       | 2400  | 600     | 2400   | 94 1/2   | 15.4   | 34 |

Add W for white, SW for soft white or CA for clear anodized (finish)

## TECHNICAL DRAWINGS





## ACCESSORIES

| PRODUCT          | DESCRIPTION   |
|------------------|---|
| ALUX4T12*        | built-in tamper-proof single pole thermostat  |
| ALUX4T22*        | built-in tamper-proof double pole thermostat  |
| ALUX4RE153*      | built-in electronic low voltage relay [15 A @ 120 V-347 V]                                      |
| ALUX4RE156*      | built-in electronic low voltage relay [6 A @ 600 V]   |
| ALUX4RE153T*     | built-in electronic low voltage relay c/w transformer 24 V [15 A @ 208 V-347 V]                 |
| ALUX4RM240T*     | built-in electromechanical relay c/w transformer 24 V [5000 W @ 208 V/6000 W @ 240 V]           |
| ALUX4RM347T*     | built-in electromechanical relay c/w transformer 24 V [6000 W @ 347 V]                          |
| ALUX4RM347C*     | built-in electromechanical relay w/o transformer 24 V [6000 W @ 120 V-347 V]                    |
| ALUX4R841C11151* | built-in electromechanical low voltage relay c/w transformer 24 V [6000 W @ 600 V]              |
| ALUX4R841D1036*  | built-in electromechanical low voltage relay w/o transformer 24 V [6000 W @ 600 V]              |
| PK6*             | pedestal kit – single (kit of two)  |
| PK6CAP           | anodized aluminum (paint) pedestal kit – single (kit of two)                                    |
| PK6D*            | pedestal kit – double (kit of two)  |
| PK6DCAP          | anodized aluminum (paint) pedestal kit – double (kit of two)                                    |
| ALUX4JS*         | joiner strip (2 in. – 51 mm)  |
| ALUX4JSCAP       | anodized aluminum (paint) joiner strip (2 in. – 51 mm)  |
| ALUX4IC90*       | inside corner (back measures 7 9/16 in. – 192 mm long on each side)                             |
| ALUX4IC90CA      | anodized aluminum (finish) inside corner (back measures 7 9/16 in. – 192 mm long on each side)  |
| ALUX4OC90*       | outside corner (back measures 7 9/16 in. – 192 mm long on each side)                            |
| ALUX4OC90CA      | anodized aluminum (finish) outside corner (back measures 7 9/16 in. – 192 mm long on each side) |
| ALUX4CB**        | clean back (fully finished, no mounting holes or knockouts)                                     |
| ALUX4BT*         | air inlet from below/output from top  |
| ALUX4SA*         | full-width flush-fit stand – height of 2 to 12 in. – 51 to 305 mm                               |
| ALUX4SR*         | full-width recessed stand (19/32 in. – 15 mm) – height of 2 to 12 in. – 51 to 305 mm            |

Electronic relays can receive a PWM (pulsed width modulation) or digital (on/off) signal.

\* Add W for white or SW for soft white.

\* Factory installed

