

# SOR | ORLÉANS™

HIGH-END CONVECTOR



ORLÉANS™



## INNOVATION THAT MAXIMIZES YOUR COMFORT

With its unique design, the Orléans convector offers a faster temperature rise than any other convector on the market, ensuring optimal comfort in no time at all. The optional built-in thermostat is equipped with the Zigbee protocol and is smart home ready. In addition, the convector is available in optional colours exclusive to Stelpro, colours that will enhance even the simplest decor. Offering energy efficiency, connectivity, an adapted profile and a wide variety of models, the Orléans is now the benchmark for high-end convectors.

### STYLISH AND COMPACT DESIGN

30% SLIMMER CONVECTOR†

### OPTIMUM EFFICIENCY

25% FASTER TEMPERATURE RISE†

### BUILT-IN THERMOSTAT AVAILABLE (OPTIONAL)

COMPATIBLE WITH THE MAESTRO ECOSYSTEM

### QUICK AND EASY INSTALLATION

EXCLUSIVE BRACKET SYSTEM

### TOTALLY QUIET

### COLOURS

- **standard:** white, soft white

### FINISH

- epoxy-polyester powdercoat

### MANUFACTURING

- 20-gauge steel cabinet and front
- aluminum grille and sides
- bottom air intake and top air discharge
- the cabinet height improves the chimney effect
- safe, rounded corners
- easy access to controls
- thermal protection with automatic reset

### ELEMENTS

- aluminum extrusion
- two X-shaped elements to generate maximum heat

### CONTROL

- built-in Maestro smart thermostat equipped with the Zigbee protocol
- colour-coded feedback for responsible energy consumption
- drastic temperature drop detection (open window function)

### INSTALLATION

- surface
- wall mounted at least 4 in. from the floor
- innovative mounting bracket for easy height adjustment
- back entry plate with cable clamps (included)

### WARRANTY

- five years, \*three years on electronic components

† Compared to similar convectors. Temperature rise is laboratory tested.

PATENTS PENDING

#### IDEAL FOR:

living room, kitchen, bedroom, office, hallway, basement, commercial space, waiting room, conference room

PART OF THE ORLÉANS FAMILY OF PRODUCTS

NEED A FAN HEATER FOR YOUR BATHROOM?

SORB






°STELPRO



FC\_SOR\_EN\_270420

# TECHNICAL SPECIFICATIONS

BUILT-IN THERMOSTAT		WITHOUT THERMOSTAT		POWER	VOLTAGE	LENGTH		WEIGHT	
CODE		CODE		WATTS	VOLTS	MM	IN.	KG	LB
<b>STANDARD MODEL – HEIGHT OF 17 7/8 IN. (455 MM)</b> 									
SOR0502		SOR0502WC		500/375	240/208	457	18	4.8	10.7
SOR1002		SOR1002WC		1000/750	240/208	597	23 1/2	6	13.2
SOR1502		SOR1502WC		1500/1125	240/208	743	29 1/4	7.2	15.9
SOR2002		SOR2002WC		2000/1500	240/208	895	35 1/4	9.7	21.4
<b>HIGH MODEL – HEIGHT OF 27 7/8 IN. (708 MM)</b> 									
SORH1002		SORH1002WC		1000/750	240/208	457	18	6.8	15
SORH1502		SORH1502WC		1500/1125	240/208	623	24 1/2	8.8	19.4
SORH2002		SORH2002WC		2000/1500	240/208	768	30 1/4	10.5	23.2
<b>LOW MODEL – HEIGHT OF 13 IN. (330 MM)</b> 									
SORL1002		SORL1002WC		1000/750	240/208	750	29 1/2	5.2	11.5
SORL1502		SORL1502WC		1500/1125	240/208	1113	38 7/8	6.9	15.2
SORL2002		SORL2002WC		2000/1500	240/208	1276	50 1/4	8.3	18.3

Add W for white or SW for soft white. Mechanical wall thermostats are not compatible with the without thermostat model (WC). An electronic thermostat is required.

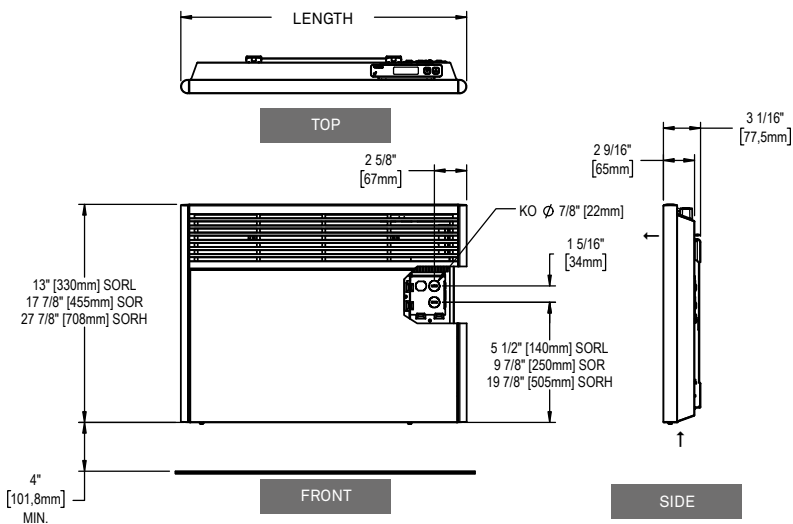
# ACCESSORIES

PRODUCT	DESCRIPTION
<b>SORRE153*</b>	built-in electronic low voltage relay [15 A @ 120 V-347 V]
<b>SORRE153T*</b>	built-in electronic low voltage relay c/w transformer 24 V [15 A @ 208 V-347 V]

Electronic relays can receive a PWM (pulsed width modulation) or digital (on/off) signal.

\* Factory installed

# TECHNICAL DRAWINGS



## BUILT-IN THERMOSTAT

CONTROL THE TEMPERATURE OF YOUR HOME FROM YOUR SMARTPHONE, TABLET OR COMPUTER



**zigbee** COMPATIBLE CONTROLLER REQUIRED

HARMONIZES WITH **MAESTRO** WORKS WITH **SmartThings**

