

ALUX2 | ALUX™

MINI ARCHITECTURAL ALUMINUM BASEBOARD



STYLE AND DURABILITY AT YOUR FEET

Here is a mini architectural baseboard you won't soon forget. The ALUX2 from the ALUX series, designed to be installed below large windows, patio doors or bay windows. In addition to not cluttering a room, it controls cold air infiltration and condensation since it acts as a hot air curtain. Its unique style and aluminum extrusion not only make it durable but also ensure it complements any room.

EXTRUDED ALUMINUM FRONT AND TOP COVER

WITH A UNIQUE, LUXURY DESIGN

EXTREMELY SOLID, IMPACT AND RUST RESISTANT

NO CONDENSATION BUILD-UP

BLANK SECTIONS AVAILABLE FOR A CONTINUOUS LOOK

COLOURS

- **standard:** white, soft white
- **luxury finish:** anodized aluminum

FINISH

- epoxy-polyester powdercoat or anodized aluminum finish

MANUFACTURING

- 3 in. x 3 in. compact profile
- solid 20-gauge steel cabinet
- extremely resistant extruded aluminum front cover with a thickness equivalent to 10 gauge
- thermal protection with automatic reset
- full-length wireway
- pencil-proof openings of less than 1/4 in. (6.7 mm) prevent foreign objects from entering the unit

ELEMENT

- single tubular, stainless steel sheathed element with boxed aluminum fins for improved heat dissipation; the element is securely fastened at its centre, floating in nylon sleeves at each end, eliminating expansion and contraction noises

CONTROL

- wall thermostat (not included) – the use of an electronic thermostat is strongly recommended
- built-in thermostat accessible without removing front grille, installed in the left junction box only (optional)
- low voltage relay kit installed in the left junction box only (optional)

INSTALLATION

- surface mounted
- wall or floor mounted with or without pedestal kit (optional)
- wiring compartment at both ends of unit
- for a continuous look, custom blank sections with a simple attachment system are available (optional)

WARRANTY

- three years

IDEAL FOR:

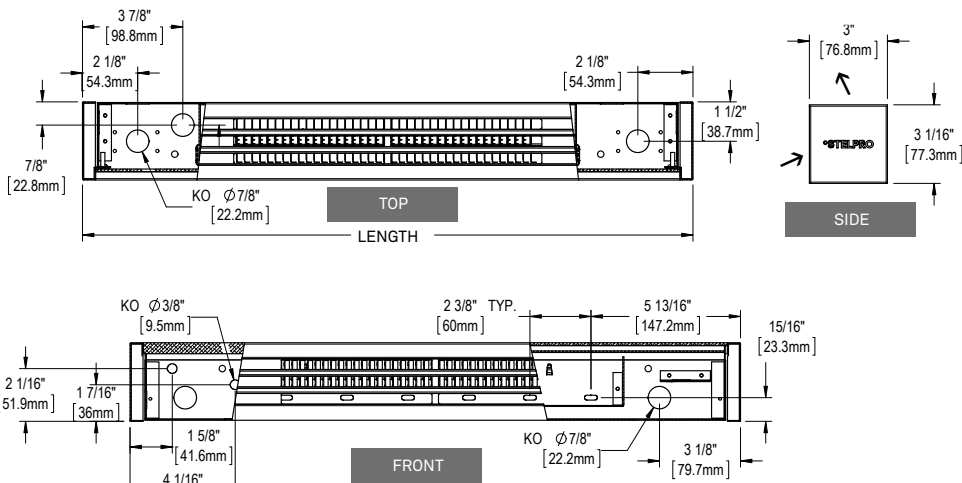
below large window, patio door or bay window, solarium

TECHNICAL SPECIFICATIONS

DENSITY OF 150 W PER LINEAR FOOT		DENSITY OF 100 W PER LINEAR FOOT		VOLTAGE	LENGTH		WEIGHT	
CODE	WATTS	CODE	WATTS	VOLTS	MM	IN.	KG	LB
ALUX206031	300	---	---	120	600	23 5/8	2.4	5.2
ALUX206038	300	---	---	208	600	23 5/8	2.4	5.2
ALUX206032	300/225	---	---	240/208	600	23 5/8	2.4	5.2
---	300	---	---	347	600	23 5/8	2.4	5.2
---	300	---	---	600	600	23 5/8	2.4	5.2
ALUX209041	450	ALUX209031	300	120	900	35 7/16	3.5	7.8
ALUX209048	450	ALUX209038	300	208	900	35 7/16	3.5	7.8
ALUX209042	450/340	ALUX209032	300/225	240/208	900	35 7/16	3.5	7.8
ALUX209043	450	---	300	347	900	35 7/16	3.5	7.8
---	450	---	300	600	900	35 7/16	3.5	7.8
ALUX212061	600	ALUX212041	400	120	1200	47 1/4	4.7	10.4
ALUX212068	600	ALUX212048	400	208	1200	47 1/4	4.7	10.4
ALUX212062	600/450	ALUX212042	400/300	240/208	1200	47 1/4	4.7	10.4
ALUX212063	600	ALUX212043	400	347	1200	47 1/4	4.7	10.4
---	600	---	400	600	1200	47 1/4	4.7	10.4
ALUX215071	750	ALUX215051	500	120	1500	59 1/16	5.9	13
ALUX215078	750	ALUX215058	500	208	1500	59 1/16	5.9	13
ALUX215072	750/560	ALUX215052	500/375	240/208	1500	59 1/16	5.9	13
ALUX215073	750	ALUX215053	500	347	1500	59 1/16	5.9	13
ALUX215076	750	ALUX215056	500	600	1500	59 1/16	5.9	13
ALUX218091	900	ALUX218061	600	120	1800	70 7/8	7.1	15.5
ALUX218098	900	ALUX218068	600	208	1800	70 7/8	7.1	15.5
ALUX218092	900/675	ALUX218062	600/450	240/208	1800	70 7/8	7.1	15.5
ALUX218093	900	ALUX218063	600	347	1800	70 7/8	7.1	15.5
ALUX218096	900	ALUX218066	600	600	1800	70 7/8	7.1	15.5
ALUX221101	1050	ALUX221071	700	120	2100	82 11/16	8.2	18.1
ALUX221108	1050	ALUX221078	700	208	2100	82 11/16	8.2	18.1
ALUX221102	1050/790	ALUX221072	700/525	240/208	2100	82 11/16	8.2	18.1
ALUX221103	1050	ALUX221073	700	347	2100	82 11/16	8.2	18.1
ALUX221106	1050	ALUX221076	700	600	2100	82 11/16	8.2	18.1
ALUX224121	1200	ALUX224081	800	120	2400	94 1/2	9.4	20.7
ALUX224128	1200	ALUX224088	800	208	2400	94 1/2	9.4	20.7
ALUX224122	1200/900	ALUX224082	800/600	240/208	2400	94 1/2	9.4	20.7
ALUX224123	1200	ALUX224083	800	347	2400	94 1/2	9.4	20.7
ALUX224126	1200	ALUX224086	800	600	2400	94 1/2	9.4	20.7
ALUX227138	1350	ALUX227098	900	208	2700	106 5/16	10.6	23.3
ALUX227132	1350/1010	ALUX227092	900/675	240/208	2700	106 5/16	10.6	23.3
ALUX227133	1350	ALUX227093	900	347	2700	106 5/16	10.6	23.3
ALUX227136	1350	ALUX227096	900	600	2700	106 5/16	10.6	23.3

W for white, SW for soft white or CA for clear anodized (finish)
Models also available in 277 V and 480 V.

TECHNICAL DRAWINGS





ACCESSORIES

PRODUCT	DESCRIPTION	
ALUX2T12*	built-in tamper-proof single pole thermostat	
ALUX2RE153*	built-in electronic low voltage relay [15 A @ 120 V-347 V]	
ALUX2RE156*	built-in electronic low voltage relay [6 A @ 600 V]	
ALUX2RE153T*	built-in electronic low voltage relay c/w transformer 24 V [15 A @ 208 V-347 V]	
PK5*	pedestal kit – single (kit of two)	
PK5CAP	anodized aluminum (paint) pedestal kit – single (kit of two)	
PK5D*	pedestal kit – double (kit of two)	
PK5DCAP	anodized aluminum (paint) pedestal kit – double (kit of two)	
ALUX2JS*	joiner strip (2 in. – 51 mm)	
ALUX2JSCAP	anodized aluminum (paint) joiner strip (2 in. – 51 mm)	
ALUX2IC90*	inside corner (back measures 6 7/16 in. – 164 mm long on each side)	
ALUX2IC90CA	anodized aluminum (finish) inside corner (back measures 6 7/16 in. – 164 mm long on each side)	
ALUX2OC90*	outside corner (back measures 6 7/16 in. – 164 mm long on each side)	
ALUX2OC90CA	anodized aluminum (finish) outside corner (back measures 6 7/16 in. – 164 mm long on each side)	
ALUX2CB**	clean back (fully finished, no mounting holes or knockouts)	
ALUX2SA*	full-width flush-fit stand – height of 2 to 12 in. (51 to 305 mm)	
ALUX2SR*	full-width recessed stand (39/64 in. – 16 mm) – height of 2 to 12 in. (51 to 305 mm)	---

Electronic relays can receive a PWM (pulsed width modulation) or digital (on/off) signal.

* Add W for white or SW for soft white.

* Factory installed

