

SHDL

HAND DRYER



ONE MODEL, TWO VERSIONS

The SHDL series hand dryer is constructed with a one-piece, ultra-resistant Lexan cover and is surface mounted. It is available either fully automatic or with a push button.

STARTS AND STOPS AUTOMATICALLY (SHDLAS MODEL)

PUSH BUTTON STARTS AND STOPS MANUALLY (SHDLPB MODEL)

COLOUR

- white

MANUFACTURING

- shell is a one-piece mold of Lexan 940
- secured to a zinc alloy wall bracket with two chrome-plated, tamper-proof bolts
- chrome-plated, die-cast zinc turbine forces air
- tamper-proof vent, preventing the insertion of foreign objects

SOUND LEVEL

- 72 dBA

ELEMENT

- nichrome

CONTROL

- SHDLAS model - an infrared optical sensor located next to the air outlet activates the hand dryer
- a 90-second lockout feature is activated if hands are not removed before this time
- SHDLPB model - push button start
- built-in 30-second sealed electronic timer

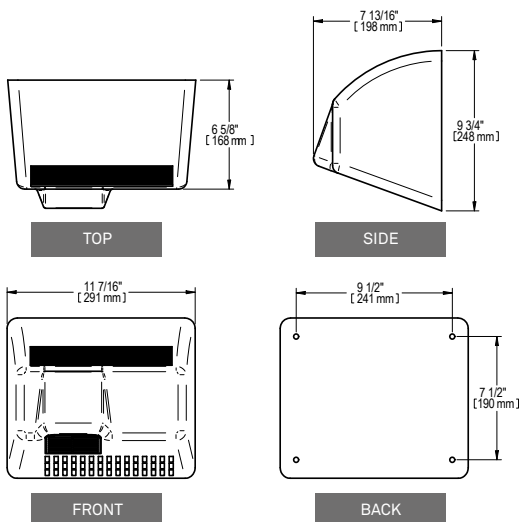
INSTALLATION

- wall mounted

WARRANTY

- five years, *three years on electronic components

TECHNICAL DRAWINGS



IDEAL FOR	ENERGY SAVINGS	AIR SPEED OR AIR FLOW	HEATING POWER	NOISE LEVEL	DRYING TIME
libraries, restaurants and cafés	---				

TECHNICAL SPECIFICATIONS					
PRODUCT	POWER	VOLTAGE	AMPERAGE	WEIGHT	
CODE*	WATTS	VOLTS	AMPERES	KG	LB
SHDLAS1W	2000	120	20	9.0	20
SHDLAS8W	2000	208	11	9.0	20
SHDLAS2W	2000	240	11	9.0	20
SHDLPB1W	2000	120	20	8.1	18
SHDLPB8W	2000	208	11	8.1	18
SHDLPB2W	2000	240	11	8.1	18

RECOMMENDED INSTALLATION HEIGHTS*				
MEN	WOMEN	TEENAGERS	CHILDREN	HANDICAPPED
43 in. (109 cm)	41 in. (104 cm)	39 in. (99 cm)	33 in. (84 cm)	35 in. (89 cm)

*Distance between floor and bottom of hand dryer

