

SOR | ORLÉANS™

HIGH-END CONVECTOR



ORLÉANS™



INNOVATION THAT MAXIMIZES YOUR COMFORT

With its unique design, the ORLÉANS convector offers a faster temperature rise than any other convector on the market, ensuring optimal comfort in no time at all. The optional built-in thermostat is equipped with the Zigbee protocol and is smart home ready. In addition, the convector is available in optional colours exclusive to °STELPRO, colours that will enhance even the simplest decor. Offering energy efficiency, connectivity, an adapted profile and a wide variety of models, the ORLÉANS is now the benchmark for high-end convectors.

STYLISH AND COMPACT DESIGN

30% SLIMMER CONVECTOR†

OPTIMUM EFFICIENCY

25% FASTER TEMPERATURE RISE†

BUILT-IN THERMOSTAT AVAILABLE (OPTIONAL)

COMPATIBLE WITH THE MAESTRO ECOSYSTEM

QUICK AND EASY INSTALLATION

EXCLUSIVE BRACKET SYSTEM

TOTALLY QUIET

COLOURS

- **standard:** white, soft white

FINISH

- epoxy-polyester powdercoat

MANUFACTURING

- 20-gauge steel cabinet and front
- aluminum grille and sides
- bottom air intake and top air discharge
- the cabinet height improves the chimney effect
- safe, rounded corners
- easy access to controls
- thermal protection with automatic reset

ELEMENTS

- aluminum extrusion
- two X-shaped elements to generate maximum heat

CONTROL

- built-in MAESTRO smart thermostat equipped with the Zigbee protocol
- colour-coded feedback for responsible energy consumption
- drastic temperature drop detection (open window function)

INSTALLATION

- surface
- wall mounted at least 4 in. from the floor
- innovative mounting bracket for easy height adjustment
- back entry plate with cable clamps (included)

WARRANTY

- five years, *three years on electronic components

† Compared to similar convectors. Temperature rise is laboratory tested.

PATENTS PENDING

IDEAL FOR:

living room, kitchen, bedroom, office, hallway, basement, commercial space, waiting room, conference room

PART OF THE ORLÉANS FAMILY OF PRODUCTS

NEED A FAN HEATER FOR YOUR BATHROOM?




SORB



°STELPRO



TECHNICAL SPECIFICATIONS

BUILT-IN THERMOSTAT		WITHOUT THERMOSTAT		POWER	VOLTAGE	LENGTH		WEIGHT	
CODE	CODE	WATTS	VOLTS	MM	IN.	KG	LB		
STANDARD MODEL – HEIGHT OF 17 7/8 IN. (455 MM) 									
SOR0502	SOR0502WC	500/375	240/208	457	18	4.8	10.7		
SOR1002	SOR1002WC	1000/750	240/208	597	23 1/2	6	13.2		
SOR1502	SOR1502WC	1500/1125	240/208	743	29 1/4	7.2	15.9		
SOR2002	SOR2002WC	2000/1500	240/208	895	35 1/4	9.7	21.4		
HIGH MODEL – HEIGHT OF 27 7/8 IN. (708 MM) 									
SORH1002	SORH1002WC	1000/750	240/208	457	18	6.8	15		
SORH1502	SORH1502WC	1500/1125	240/208	623	24 1/2	8.8	19.4		
SORH2002	SORH2002WC	2000/1500	240/208	768	30 1/4	10.5	23.2		
LOW MODEL – HEIGHT OF 13 IN. (330 MM) 									
SORL1002	SORL1002WC	1000/750	240/208	750	29 1/2	5.2	11.5		
SORL1502	SORL1502WC	1500/1125	240/208	1113	38 7/8	6.9	15.2		
SORL2002	SORL2002WC	2000/1500	240/208	1276	50 1/4	8.3	18.3		

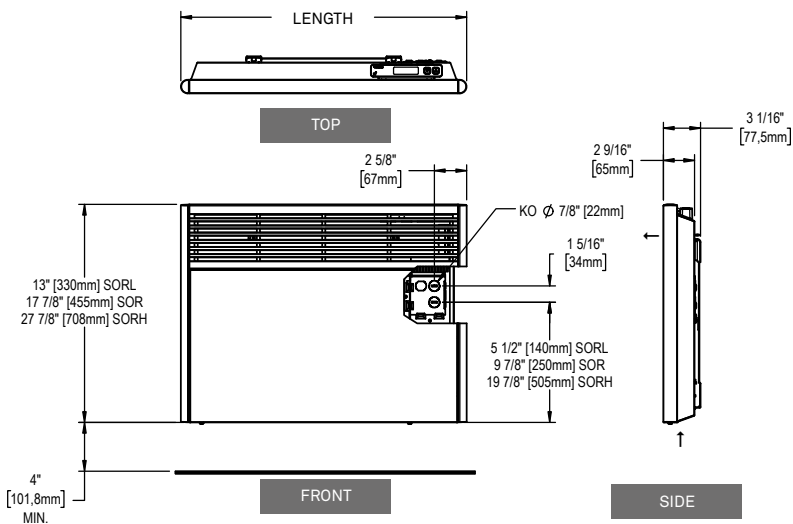
Add W for white or SW for soft white
 Mechanical wall thermostats are not compatible with the without thermostat model (WC). An electronic thermostat is required.

ACCESSORIES

PRODUCT	DESCRIPTION
SORRE153*	built-in electronic low voltage relay [15 A @ 120 V-347 V]
SORRE153T*	built-in electronic low voltage relay c/w transformer 24 V [15 A @ 208 V-347 V]

Electronic relays can receive a PWM (pulsed width modulation) or digital (on/off) signal.
 * Factory installed

TECHNICAL DRAWINGS



CONTROL THE TEMPERATURE OF YOUR HOME FROM YOUR SMARTPHONE, TABLET OR COMPUTER

HARMONIZES WITH MAESTRO

zigbee
 COMPATIBLE CONTROLLER REQUIRED

