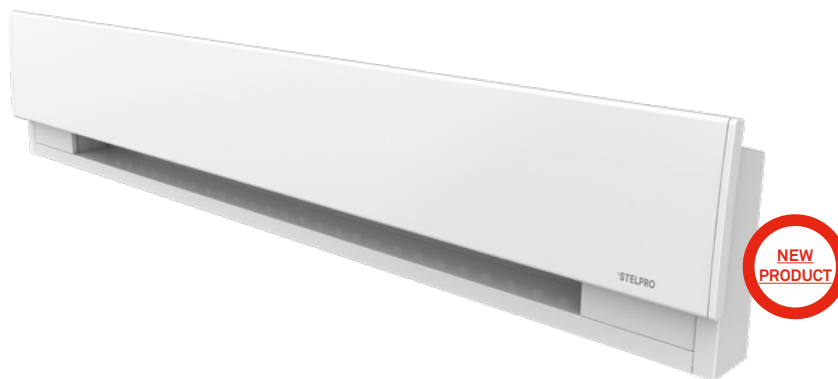


# SPR | PRIMA™

## HIGH-END COMPACT BASEBOARD



# PRIMA™

## ELEGANCE, DISCRETION AND EFFICIENCY

The PRIMA electric baseboard has a distinctive compact format that adapts to various applications without compromising on performance. Thanks to its safe and innovative housing design with concealed elements, it's easy to clean and maintain. Sleek and elegant, PRIMA adds a modern touch to any room.

### COMPACT AND EFFICIENT

UP TO 25% SHORTER THAN A TRADITIONAL BASEBOARD

### SAFER HOUSING

6 MM (1/4 IN.) OPENINGS BLOCK ACCESS TO ELEMENTS

### IMPACT RESISTANT

REINFORCED FRONT PANEL

### FAST AND EASY INSTALLATION

GUIDE MARKS TO FACILITATE MOUNTING TO WALL

### EASY TO CLEAN

TWO-CLICK REMOVABLE FRONT PANEL



ULTRA PRECISE ELECTRONIC THERMOSTAT (OPTIONAL)

### IDEAL FOR:

living room, dining room, kitchen, bedroom, office

### COLOURS

- **standard:** white

### FINISH

- epoxy-polyester powdercoat

### MANUFACTURING

- 22-gauge annealed galvanized steel housing and 20-gauge one-piece front panel that can support 99.8 kg (220 lbs) at the centre
- full-length thermal protection with automatic reset
- discreet air inlet; air exits from the top for maximum air circulation
- full-length wireway

### ELEMENT

- single tubular, stainless steel sheathed element with boxed aluminum fins for improved heat dissipation; the element is securely fastened at its centre, floating in nylon sleeves at each end, eliminating expansion and contraction noises during heat cycles

### CONTROL

- wall thermostat (not included)
  - use of a °STELPRO electronic thermostat is strongly recommended
- built-in single pole electronic thermostat that can be installed in the right or left junction box (optional)
- low voltage relay kit and disconnect switch (optional)

### INSTALLATION

- surface mounted
- connection compartment at each end
- BX and clamp knockouts for the NMD cables located at each end, at the back and under the unit
- oblong mounting holes at 1-inch intervals (top and bottom) and marks every 8 inches to locate studs

### WARRANTY

- five years, \*three years on electronic components and lifetime warranty on heating element (for original owner)

# °STELPRO



# TECHNICAL SPECIFICATIONS

| 325 W DENSITY PER LINEAR FOOT* |           | 275 W DENSITY PER LINEAR FOOT* |           | TENSION | TOTAL LENGTH |          | LENGTH ON WALL |          | WEIGHT |      |
|--------------------------------|-----------|--------------------------------|-----------|---------|--------------|----------|----------------|----------|--------|------|
| CODE                           | WATTS     | CODE                           | WATTS     | VOLTS   | MM           | IN.      | MM             | IN.      | KG     | LB   |
| SPR0501                        | 500       | SPRM0371                       | 375       | 120     | 566          | 22 1/4   | 556            | 21 7/8   | 2.6    | 5.7  |
| SPR0508                        | 500       | SPRM0378                       | 375       | 208     | 566          | 22 1/4   | 556            | 21 7/8   | 2.6    | 5.7  |
| SPR0502                        | 500/375   | SPRM0372                       | 375/280   | 240/208 | 566          | 22 1/4   | 556            | 21 7/8   | 2.6    | 5.7  |
| SPR0503                        | 500       | ---                            | ---       | 347     | 566          | 22 1/4   | 556            | 21 7/8   | 2.6    | 5.7  |
| SPR1001                        | 1000      | SPRM0751                       | 750       | 120     | 916          | 36 1/16  | 906            | 35 11/16 | 3.5    | 7.7  |
| SPR1008                        | 1000      | SPRM0758                       | 750       | 208     | 916          | 36 1/16  | 906            | 35 11/16 | 3.5    | 7.7  |
| SPR1002                        | 1000/750  | SPRM0752                       | 750/560   | 240/208 | 916          | 36 1/16  | 906            | 35 11/16 | 3.5    | 7.7  |
| SPR1003                        | 1000      | SPRM0753                       | 750       | 347     | 916          | 36 1/16  | 906            | 35 11/16 | 3.5    | 7.7  |
| SPR1501                        | 1500      | SPRM1251                       | 1250      | 120     | 1267         | 49 7/8   | 1257           | 49 1/2   | 4.4    | 9.7  |
| SPR1508                        | 1500      | SPRM1258                       | 1250      | 208     | 1267         | 49 7/8   | 1257           | 49 1/2   | 4.4    | 9.7  |
| SPR1502                        | 1500/1125 | SPRM1252                       | 1250/940  | 240/208 | 1267         | 49 7/8   | 1257           | 49 1/2   | 4.4    | 9.7  |
| SPR1503                        | 1500      | SPRM1253                       | 1250      | 347     | 1267         | 49 7/8   | 1257           | 49 1/2   | 4.4    | 9.7  |
| ---                            | ---       | ---                            | ---       | 120     | ---          | ---      | ---            | ---      | ---    | ---  |
| SPR2008                        | 2000      | SPRM1758                       | 1750      | 208     | 1618         | 63 11/16 | 1608           | 63 5/16  | 5.3    | 11.7 |
| SPR2002                        | 2000/1500 | SPRM1752                       | 1750/1315 | 240/208 | 1618         | 63 11/16 | 1608           | 63 5/16  | 5.3    | 11.7 |
| SPR2003                        | 2000      | SPRM1753                       | 1750      | 347     | 1618         | 63 11/16 | 1608           | 63 5/16  | 5.3    | 11.7 |

Add W for white. \*Densities are averages. --- not available

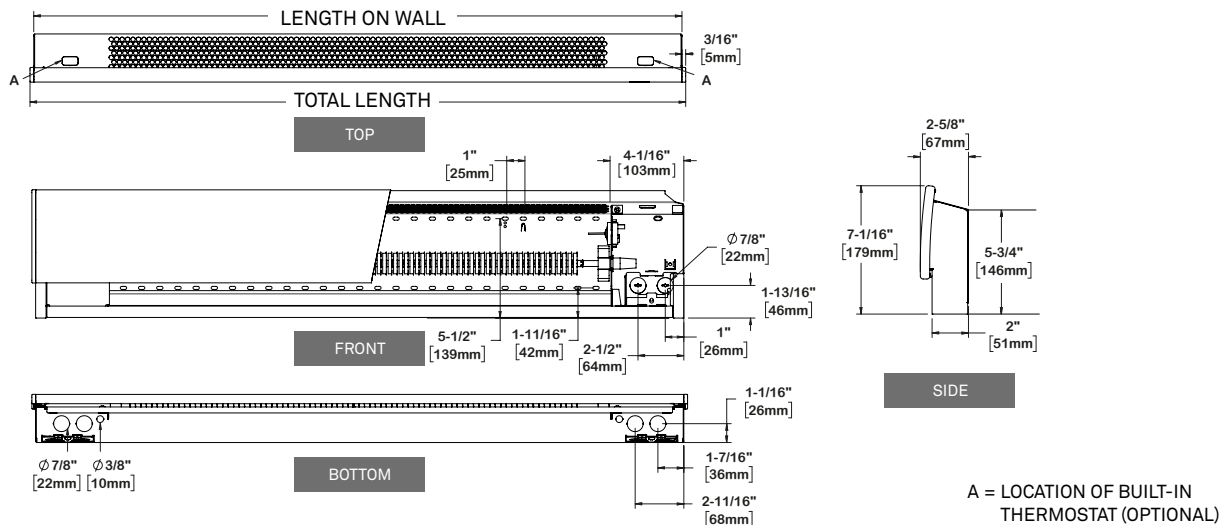
# ACCESSORIES

| PRODUCT    | DESCRIPTION  |
|------------|--|
| SIBTE12C   | built-in electronic thermostat – Celsius [120 V-240 V]                                     |
| SPRRE153*  | built-in electronic low voltage relay [15 A @ 120 V-347 V]                                 |
| SPRRE153T* | built-in electronic low voltage relay with 24 V transformer [15 A @ 208 V-347 V]           |
| SPRRM120T* | built-in electromechanical relay with 24 V transformer [6000 W @ 120 V]                    |
| SPRRM240T* | built-in electromechanical relay with 24 V transformer [6000 W @ 240 V and 5200 W @ 208 V] |
| SPRRM347T* | built-in electromechanical relay with 24 V transformer [6000 W @ 347 V]                    |
| SPRRM347C* | built-in electromechanical relay without 24 V transformer [6000 W @ 120 V-347 V]           |

Electronic relays can receive a PWM (pulsed width modulation) or all-or-nothing (on/off) signal.

\*Factory installation only

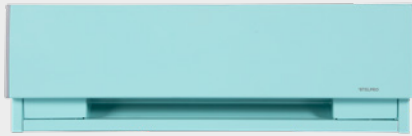
# TECHNICAL DRAWINGS





DISCOVER OUR RANGE OF COLOURS

**ORORA**



TURQUOISE



MOSS GREEN



RED



DENIM BLUE



CHARCOAL



ORANGE

