

°STELPRO

COMMERCIAL & INDUSTRIAL UNIT HEATER

SHU SERIES

OXFORD™
SERIES | SÉRIE

THE POWER OF DISPERSION

°STELPRO designs heaters for all circumstances. Take the SHU, the large volume heater that is distinguished by its appealing appearance, its manufacturing and its sturdy composition. It is usually installed in large garages, but it is not uncommon for it to be seen in warehouses or any other kind of commercial construction site requiring a generous volume of heat. The SHU works with great ease and has an incredible power scale from 2 kW to 60 kW. What could be better!



INSTANT HEAT

PERMANENTLY LUBRICATED MOTOR

WIDE RANGE OF POWER: 2 KW TO 60 KW

THERMALLY PROTECTED

WALL OR CEILING INSTALLATION

BRACKET INCLUDED

IDEAL FOR:

WAREHOUSE, FACTORY, INDOOR PARKING GARAGE, LARGE INDUSTRIAL AND COMMERCIAL AREAS

COLOUR

textured charcoal

FINISH

epoxy-polyester powdercoat

MANUFACTURING

- heavy-duty, 18-gauge steel cabinet
- adjustable louvers and protective screen
- thermal protection with automatic reset

MOTOR

permanently enclosed lubricated ball bearing motor for long-lasting operation

ELEMENT

nichrome element produces instant heat

CONTROL

connection of multiple units to the same thermostat is possible with a relay kit without transformer (optional) and an external transformer (not provided)

INSTALLATION

- wall or ceiling mounted with universal mounting bracket (included)
- minimum distance from adjacent walls: 6 in. (2 kW to 30 kW units), 12 in. (40 kW to 60 kW units)
- maximum mounting heights: 8 ft. (2 kW to 10 kW units), 10 ft. (15 kW to 30 kW units), 15 ft. (40 kW to 60 kW units)

ACCESSORIES

| PRODUCT | DESCRIPTION |
|-----------|---|
| SHUT1 | built-in single pole thermostat (capillary) |
| SHUT2 | built-in double pole thermostat (capillary) |
| SHUFS* | fan switch |
| SHUDIS* | disconnect switch [80 A] |
| SHUC24RX* | relay kit without transformer 24 V |
| SHUFS-RCV | remote control circuit for ventilation mode 240 V |

* Factory installed

TECHNICAL SPECIFICATIONS

| WITHOUT CONTROL | BUILT-IN THERMOSTAT | 240 V CONTROL | 24 V CONTROL |
|-----------------|---------------------|---------------|--------------|
|-----------------|---------------------|---------------|--------------|

| CODE | | CODE | | CODE | | CODE | | VOLTS | KW | CFM |
|-------------|--|----------------|--|---------------|--|-----------------|--|-------|-----|-----|
| SHU0281CHAR | | SHU0281TCHAR | | SHU0281CCHAR | | SHU0281C24CHAR | | 208 | 2 | 250 |
| --- | | SHU0283CTCHAR* | | SHU0283CCHAR* | | SHU0283C24CHAR* | | 208 | 2 | 250 |
| SHU0221CHAR | | SHU0221TCHAR | | SHU0221CCHAR | | SHU0221C24CHAR | | 240 | 2 | 250 |
| SHU0271CHAR | | SHU0271TCHAR | | SHU0271CCHAR | | SHU0271C24CHAR | | 277 | 2 | 250 |
| --- | | SHU0231CTCHAR | | SHU0231CCHAR | | SHU0231C24CHAR | | 347 | 2 | 250 |
| --- | | SHU0251CTCHAR | | SHU0251CCHAR | | SHU0251C24CHAR | | 480 | 2 | 250 |
| --- | | SHU0253CTCHAR* | | SHU0253CCHAR* | | SHU0253C24CHAR* | | 480 | 2 | 250 |
| --- | | SHU0261CTCHAR | | SHU0261CCHAR | | SHU0261C24CHAR | | 600 | 2 | 250 |
| --- | | SHU0263CTCHAR* | | SHU0263CCHAR* | | SHU0263C24CHAR* | | 600 | 2 | 250 |
| SHU0381CHAR | | SHU0381TCHAR | | SHU0381CCHAR | | SHU0381C24CHAR | | 208 | 3 | 250 |
| --- | | SHU0383CTCHAR* | | SHU0383CCHAR* | | SHU0383C24CHAR* | | 208 | 3 | 250 |
| SHU0321CHAR | | SHU0321TCHAR | | SHU0321CCHAR | | SHU0321C24CHAR | | 240 | 3 | 250 |
| SHU0371CHAR | | SHU0371TCHAR | | SHU0371CCHAR | | SHU0371C24CHAR | | 277 | 3 | 250 |
| --- | | SHU0331CTCHAR | | SHU0331CCHAR | | SHU0331C24CHAR | | 347 | 3 | 250 |
| --- | | SHU0351CTCHAR | | SHU0351CCHAR | | SHU0351C24CHAR | | 480 | 3 | 250 |
| --- | | SHU0353CTCHAR* | | SHU0353CCHAR* | | SHU0353C24CHAR* | | 480 | 3 | 250 |
| --- | | SHU0361CTCHAR | | SHU0361CCHAR | | SHU0361C24CHAR | | 600 | 3 | 250 |
| --- | | SHU0363CTCHAR* | | SHU0363CCHAR* | | SHU0363C24CHAR* | | 600 | 3 | 250 |
| SHU0481CHAR | | SHU0481TCHAR | | SHU0481CCHAR | | SHU0481C24CHAR | | 208 | 4 | 250 |
| --- | | SHU0483CTCHAR* | | SHU0483CCHAR* | | SHU0483C24CHAR* | | 208 | 4 | 250 |
| SHU0421CHAR | | SHU0421TCHAR | | SHU0421CCHAR | | SHU0421C24CHAR | | 240 | 4 | 250 |
| SHU0471CHAR | | SHU0471TCHAR | | SHU0471CCHAR | | SHU0471C24CHAR | | 277 | 4 | 250 |
| --- | | SHU0431CTCHAR | | SHU0431CCHAR | | SHU0431C24CHAR | | 347 | 4 | 250 |
| --- | | SHU0451CTCHAR | | SHU0451CCHAR | | SHU0451C24CHAR | | 480 | 4 | 250 |
| --- | | SHU0453CTCHAR* | | SHU0453CCHAR* | | SHU0453C24CHAR* | | 480 | 4 | 250 |
| --- | | SHU0461CTCHAR | | SHU0461CCHAR | | SHU0461C24CHAR | | 600 | 4 | 250 |
| --- | | SHU0463CTCHAR* | | SHU0463CCHAR* | | SHU0463C24CHAR* | | 600 | 4 | 250 |
| --- | | SHU0581CTCHAR | | SHU0581CCHAR | | SHU0581C24CHAR | | 208 | 5 | 450 |
| --- | | SHU0583CTCHAR* | | SHU0583CCHAR* | | SHU0583C24CHAR* | | 208 | 5 | 450 |
| SHU0521CHAR | | SHU0521TCHAR | | SHU0521CCHAR | | SHU0521C24CHAR | | 240 | 5 | 450 |
| SHU0571CHAR | | SHU0571TCHAR | | SHU0571CCHAR | | SHU0571C24CHAR | | 277 | 5 | 450 |
| --- | | SHU0531CTCHAR | | SHU0531CCHAR | | SHU0531C24CHAR | | 347 | 5 | 450 |
| --- | | SHU0551CTCHAR | | SHU0551CCHAR | | SHU0551C24CHAR | | 480 | 5 | 450 |
| --- | | SHU0553CTCHAR* | | SHU0553CCHAR* | | SHU0553C24CHAR* | | 480 | 5 | 450 |
| --- | | SHU0561CTCHAR | | SHU0561CCHAR | | SHU0561C24CHAR | | 600 | 5 | 450 |
| --- | | SHU0563CTCHAR* | | SHU0563CCHAR* | | SHU0563C24CHAR* | | 600 | 5 | 450 |
| --- | | SHU0781CTCHAR | | SHU0781CCHAR | | SHU0781C24CHAR | | 208 | 7.5 | 700 |
| --- | | SHU0783CTCHAR* | | SHU0783CCHAR* | | SHU0783C24CHAR* | | 208 | 7.5 | 700 |
| --- | | SHU0721CTCHAR | | SHU0721CCHAR | | SHU0721C24CHAR | | 240 | 7.5 | 700 |
| --- | | SHU0771CTCHAR | | SHU0771CCHAR | | SHU0771C24CHAR | | 277 | 7.5 | 700 |
| --- | | SHU0731CTCHAR | | SHU0731CCHAR | | SHU0731C24CHAR | | 347 | 7.5 | 700 |
| --- | | SHU0751CTCHAR | | SHU0751CCHAR | | SHU0751C24CHAR | | 480 | 7.5 | 700 |
| --- | | SHU0753CTCHAR* | | SHU0753CCHAR* | | SHU0753C24CHAR* | | 480 | 7.5 | 700 |
| --- | | SHU0761CTCHAR | | SHU0761CCHAR | | SHU0761C24CHAR | | 600 | 7.5 | 700 |
| --- | | SHU0763CTCHAR* | | SHU0763CCHAR* | | SHU0763C24CHAR* | | 600 | 7.5 | 700 |
| --- | | SHU1081CTCHAR | | SHU1081CCHAR | | SHU1081C24CHAR | | 208 | 10 | 700 |
| --- | | SHU1083CTCHAR* | | SHU1083CCHAR* | | SHU1083C24CHAR* | | 208 | 10 | 700 |
| --- | | SHU1021CTCHAR | | SHU1021CCHAR | | SHU1021C24CHAR | | 240 | 10 | 700 |
| --- | | SHU1071CTCHAR | | SHU1071CCHAR | | SHU1071C24CHAR | | 277 | 10 | 700 |
| --- | | SHU1031CTCHAR | | SHU1031CCHAR | | SHU1031C24CHAR | | 347 | 10 | 700 |
| --- | | SHU1051CTCHAR | | SHU1051CCHAR | | SHU1051C24CHAR | | 480 | 10 | 700 |
| --- | | SHU1053CTCHAR* | | SHU1053CCHAR* | | SHU1053C24CHAR* | | 480 | 10 | 700 |
| --- | | SHU1061CTCHAR | | SHU1061CCHAR | | SHU1061C24CHAR | | 600 | 10 | 700 |
| --- | | SHU1063CTCHAR* | | SHU1063CCHAR* | | SHU1063C24CHAR* | | 600 | 10 | 700 |

* Three-phase unit that can be field-converted to a single phase unit
 * Three-phase unit
 --- not available

TECHNICAL SPECIFICATIONS

BUILT-IN THERMOSTAT

240 V CONTROL

24 V CONTROL

| CODE | | CODE | | CODE | | VOLTS | KW | CFM |
|----------------|--|---------------|--|-----------------|--|-------|----|------|
| SHU1581CTCHAR | | SHU1581CCHAR | | SHU1581C24CHAR | | 208 | 15 | 1300 |
| SHU1583CTCHAR* | | SHU1583CCHAR* | | SHU1583C24CHAR* | | 208 | 15 | 1300 |
| SHU1521CTCHAR | | SHU1521CCHAR | | SHU1521C24CHAR | | 240 | 15 | 1300 |
| SHU1571CTCHAR | | SHU1571CCHAR | | SHU1571C24CHAR | | 277 | 15 | 1300 |
| SHU1531CTCHAR | | SHU1531CCHAR | | SHU1531C24CHAR | | 347 | 15 | 1300 |
| SHU1551CTCHAR | | SHU1551CCHAR | | SHU1551C24CHAR | | 480 | 15 | 1300 |
| SHU1553CTCHAR* | | SHU1553CCHAR* | | SHU1553C24CHAR* | | 480 | 15 | 1300 |
| SHU1561CTCHAR | | SHU1561CCHAR | | SHU1561C24CHAR | | 600 | 15 | 1300 |
| SHU1563CTCHAR* | | SHU1563CCHAR* | | SHU1563C24CHAR* | | 600 | 15 | 1300 |
| SHU2081CTCHAR | | SHU2081CCHAR | | SHU2081C24CHAR | | 208 | 20 | 1300 |
| SHU2083CTCHAR* | | SHU2083CCHAR* | | SHU2083C24CHAR* | | 208 | 20 | 1300 |
| SHU2021CTCHAR | | SHU2021CCHAR | | SHU2021C24CHAR | | 240 | 20 | 1300 |
| SHU2071CTCHAR | | SHU2071CCHAR | | SHU2071C24CHAR | | 277 | 20 | 1300 |
| SHU2031CTCHAR | | SHU2031CCHAR | | SHU2031C24CHAR | | 347 | 20 | 1300 |
| SHU2051CTCHAR | | SHU2051CCHAR | | SHU2051C24CHAR | | 480 | 20 | 1300 |
| SHU2053CTCHAR* | | SHU2053CCHAR* | | SHU2053C24CHAR* | | 480 | 20 | 1300 |
| SHU2063CTCHAR* | | SHU2063CCHAR* | | SHU2063C24CHAR* | | 600 | 20 | 1300 |
| SHU2583CTCHAR* | | SHU2583CCHAR* | | SHU2583C24CHAR* | | 208 | 25 | 1300 |
| SHU2553CTCHAR* | | SHU2553CCHAR* | | SHU2553C24CHAR* | | 480 | 25 | 1300 |
| SHU2563CTCHAR* | | SHU2563CCHAR* | | SHU2563C24CHAR* | | 600 | 25 | 1300 |
| SHU3083CTCHAR* | | SHU3083CCHAR* | | SHU3083C24CHAR* | | 208 | 30 | 1400 |
| SHU3053CTCHAR* | | SHU3053CCHAR* | | SHU3053C24CHAR* | | 480 | 30 | 1400 |
| SHU3063CTCHAR* | | SHU3063CCHAR* | | SHU3063C24CHAR* | | 600 | 30 | 1400 |
| SHU4053CTCHAR* | | SHU4053CCHAR* | | SHU4053C24CHAR* | | 480 | 40 | 2100 |
| SHU4063CTCHAR* | | SHU4063CCHAR* | | SHU4063C24CHAR* | | 600 | 40 | 2100 |
| SHU5053CTCHAR* | | SHU5053CCHAR* | | SHU5053C24CHAR* | | 480 | 50 | 2100 |
| SHU5063CTCHAR* | | SHU5063CCHAR* | | SHU5063C24CHAR* | | 600 | 50 | 2100 |
| SHU6053CTCHAR* | | SHU6053CCHAR* | | SHU6053C24CHAR* | | 480 | 60 | 2100 |
| SHU6063CTCHAR* | | SHU6063CCHAR* | | SHU6063C24CHAR* | | 600 | 60 | 2100 |

* Three-phase unit that can be field-converted to a single phase unit
 * Three-phase unit
 --- not available

THROW DISTANCE AND HEAT RISE

| UNITS | THROW DISTANCE | | HEAT RISE | | |
|-------|----------------|------|-----------|-----|-----|
| | KW | M | FT. | °C | °F |
| 2 | | 8.5 | 28 | 17 | 31 |
| 3 | | 8.5 | 28 | 35 | 62 |
| 4 | | 8.5 | 28 | 52 | 93 |
| 5 | | 9.4 | 31 | 55 | 99 |
| 7.5 | | 9.4 | 31 | 54 | 97 |
| 10 | | 9.4 | 31 | 85 | 153 |
| 15 | | 10.7 | 35 | 52 | 93 |
| 20 | | 11.3 | 37 | 89 | 160 |
| 25 | | 10.2 | 33'6" | 133 | 240 |
| 30 | | 10.7 | 35 | 135 | 243 |
| 40 | | 10.7 | 35 | 132 | 237 |
| 50 | | 10.7 | 35 | 141 | 254 |
| 60 | | 10.7 | 35 | 156 | 280 |

2 KW TO 10 KW UNITS

weight: approx. 40 lb (18 kg)



LEFT SIDE



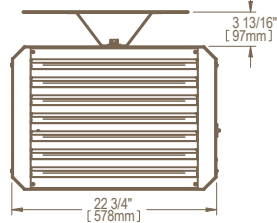
FRONT



RIGHT SIDE



LEFT SIDE



FRONT



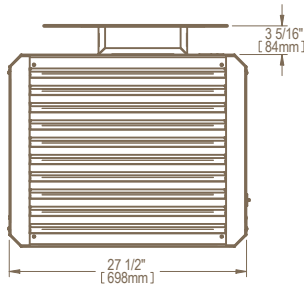
RIGHT SIDE

15 KW TO 30 KW UNITS

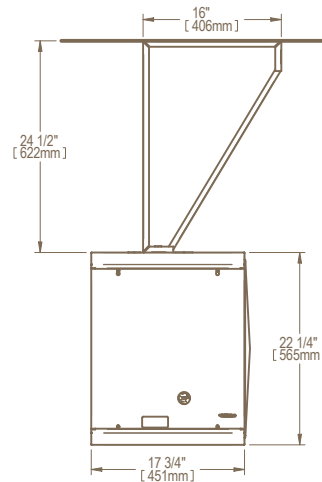
weight: approx. 67 lb (30 kg)



LEFT SIDE



FRONT



RIGHT SIDE

40 KW TO 60 KW UNITS

weight: approx. 100 lb (45 kg)