

VUH | OXFORD™

VERTICAL UNIT HEATER



OXFORD™
SERIES | SÉRIE

TRIPLE CONE UNIT
(OPTIONAL CONE)



A MAMMOTH TO HEAT LARGE AREAS

The VUH not only impresses with its good looks but also its great, powerful and uncompromising operation. The greatest strength of this unit is its mode of operation; it is designed to circulate air continuously. The unit is responsible for recirculating the warm air that is often trapped near the ceiling and masterfully redirects it down 360°. The VUH, available from 5 kW to 60 kW, is an excellent choice for heating large areas.

HEAT RECYCLING SYSTEM

DRAWS IN THE WARM AIR AT THE CEILING AND REDIRECTS IT WHERE IT IS NEEDED MOST

OPTIONAL CONE DIFFUSERS

THREE SIZES AVAILABLE FOR BETTER AIR DISTRIBUTION

FULLY ENCLOSED MOTOR

WITH BALL BEARINGS

PERFECT FOR LARGE SPACES WITH HIGH CEILINGS

COLOUR

- charcoal

FINISH

- epoxy-polyester powdercoat

MANUFACTURING

- heavy-duty, 16-gauge steel cabinet
- three sizes of cone diffusers available for better air distribution
- thermal protection with automatic reset

MOTOR

- totally enclosed with ball bearings

ELEMENT

- tubular element sheathed with spiral-wound fins for improved heat dissipation

CONTROL

- 24 V, 120 V or 240 V control circuit
- terminal block for remote fan control
- all units have factory installed contactors
- connection of multiple units to the same thermostat is possible with a relay kit without transformer (optional) and an external transformer (not provided)

INSTALLATION

- 4 1/2 in. (12.7 mm) mounting holes (5 kW to 10 kW units) for threaded rods (13-thread) (threaded rods not provided)
- four eyebolts for chain suspension (15 kW to 60 kW units)

WARRANTY

- three years

IDEAL FOR:

warehouse, factory, indoor parking garage, large industrial and commercial spaces

°STELPRO



TECHNICAL SPECIFICATIONS

240 V CONTROL		24 V CONTROL	120 V CONTROL	POWER		VOLTAGE	PHASE	FLOW	MOTOR	HEAT RISE		WEIGHT	
CODE	CODE	CODE		KILOWATTS	BTU/H	VOLTS	NB.	CFM	HP	°C	°F	KG	LB
VUH0581CCHAR	VUH0581C24CHAR	VUH0581C120CHAR		5	17060	208	1	450	1/25	27	49	34.0	75
VUH0583CCHAR	VUH0583C24CHAR	VUH0583C120CHAR		5	17060	208	3	450	1/25	27	49	34.0	75
VUH0521CCHAR	VUH0521C24CHAR	VUH0521C120CHAR		5/3.75	17060	240/208	1	450	1/25	27	49	34.0	75
VUH0531CCHAR	VUH0531C24CHAR	VUH0531C120CHAR		5	17060	347	1	450	1/25	27	49	34.0	75
VUH0563CCHAR	VUH0563C24CHAR	VUH0563C120CHAR		5	17060	600	3	450	1/25	27	49	34.0	75
VUH0783CCHAR	VUH0783C24CHAR	VUH0783C120CHAR		7.5	25590	208	3	600	1/25	20	36	34.0	75
VUH0721CCHAR	VUH0721C24CHAR	VUH0721C120CHAR		7.5/5.63	25590	240/208	1	600	1/25	20	36	34.0	75
VUH0731CCHAR	VUH0731C24CHAR	VUH0731C120CHAR		7.5	25590	347	1	600	1/25	20	36	34.0	75
VUH0763CCHAR	VUH0763C24CHAR	VUH0763C120CHAR		7.5	25590	600	3	600	1/25	20	36	34.0	75
VUH1083CCHAR	VUH1083C24CHAR	VUH1083C120CHAR		10	34120	208	3	750	1/25	28	50	34.0	75
VUH1021CCHAR	VUH1021C24CHAR	VUH1021C120CHAR		10/7.5	34120	240/208	1	750	1/25	28	50	34.0	75
VUH1031CCHAR	VUH1031C24CHAR	VUH1031C120CHAR		10	34120	347	1	750	1/25	28	50	34.0	75
VUH1063CCHAR	VUH1063C24CHAR	VUH1063C120CHAR		10	34120	600	3	750	1/25	28	50	34.0	75
VUH1583CCHAR	VUH1583C24CHAR	VUH1583C120CHAR		15	51180	208	3	1200	1/8	18	32	47.6	105
VUH1521CCHAR	VUH1521C24CHAR	VUH1521C120CHAR		15/11.25	51180	240/208	1	1200	1/8	18	32	47.6	105
VUH1563CCHAR	VUH1563C24CHAR	VUH1563C120CHAR		15	51180	600	3	1200	1/8	18	32	47.6	105
VUH2083CCHAR	VUH2083C24CHAR	VUH2083C120CHAR		20	68240	208	3	1600	1/8	21	38	47.6	105
VUH2021CCHAR	VUH2021C24CHAR	VUH2021C120CHAR		20/15	68240	240/208	1	1600	1/8	21	38	47.6	105
VUH2063CCHAR	VUH2063C24CHAR	VUH2063C120CHAR		20	68240	600	3	1600	1/3	21	38	47.6	105
VUH2583CCHAR	VUH2583C24CHAR	VUH2583C120CHAR		25	85300	208	3	2000	1/8	29	53	47.6	105
VUH2521CCHAR	VUH2521C24CHAR	VUH2521C120CHAR		25/18.75	85300	240/208	1	2000	1/8	29	53	47.6	105
VUH2563CCHAR	VUH2563C24CHAR	VUH2563C120CHAR		25	85300	600	3	2000	1/3	29	53	47.6	105
VUH3083CCHAR	VUH3083C24CHAR	VUH3083C120CHAR		30	102300	208	3	2300	1/8	36	65	47.6	105
VUH3021CCHAR	VUH3021C24CHAR	VUH3021C120CHAR		30/22.5	102300	240/208	1	2300	1/8	36	65	47.6	105
VUH3063CCHAR	VUH3063C24CHAR	VUH3063C120CHAR		30	102300	600	3	2300	1/8	36	65	47.6	105
VUH4063CCHAR	VUH4063C24CHAR	VUH4063C120CHAR		40	136500	600	3	4000	3/4	28	50	90.7	200
VUH5063CCHAR	VUH5063C24CHAR	VUH5063C120CHAR		50	176050	600	3	4000	3/4	32	58	90.7	200
VUH6063CCHAR	VUH6063C24CHAR	VUH6063C120CHAR		60	204720	600	3	4800	3/4	33	59	90.7	200

The C24 code applies only to the thermostat. The fan remains energized at 240 V.

ACCESSORIES

PRODUCT	DESCRIPTION
VUHFS*	fan switch
VUHC24RX*	relay kit without transformer 24 V
VUHDIS80CHAR*	disconnect switch [80 A]
VUHDIS100CHAR*	disconnect switch [100 A]
VUHDIS200CHAR*	disconnect switch [200 A]

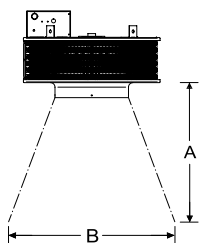
* Factory installed



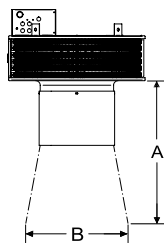
CONE DIFFUSERS AND THROW DISTANCES

PRODUCT	TYPE	UNIT	WEIGHT		SURFACE A		SURFACE B	
CODE	CONE	KILOWATTS	KG	LB	M	FT.	M	FT.
---	WITHOUT CONE	5-10	---	---	3.7	12	5.8	19
---	WITHOUT CONE	15-30	---	---	6.1	20	8.3	27
---	WITHOUT CONE	40-60	---	---	9.1	30	14.0	46
VUHJC1CHAR	JET	5-10	2.3	5	4.3	14	4.9	16
VUHJC2CHAR	JET	15-30	2.3	5	6.7	22	6.1	20
VUHJC3CHAR	JET	40-60	2.3	5	9.8	32	9.1	30
VUHSC1CHAR	SINGLE	5-10	5	11	3.1	10	6.9	22
VUHSC2CHAR	SINGLE	15-30	5	11	3.7	12	9.5	31
VUHSC3CHAR	SINGLE	40-60	5	11	4.9	16	10.0	33
VUH3C1CHAR	TRIPLE	5-10	10	22	3.1	10	9.5	31
VUH3C2CHAR	TRIPLE	15-30	10	22	4.2	15	14.0	46
VUH3C3CHAR	TRIPLE	40-60	10	22	6.1	20	15.0	49
VUH4C1CHAR	QUADRUPLE	5-10	15	33	3.1	10	10.4	34
VUH4C2CHAR	QUADRUPLE	15-30	15	33	4.2	15	15.3	50
VUH4C3CHAR	QUADRUPLE	40-60	15	33	6.1	20	17.1	56

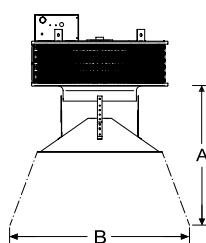
WITHOUT CONE



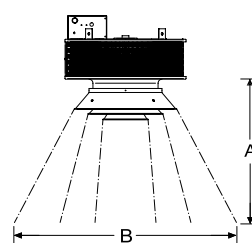
JET CONE



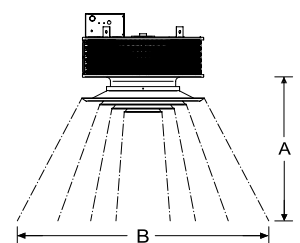
SINGLE CONE



TRIPLE CONE

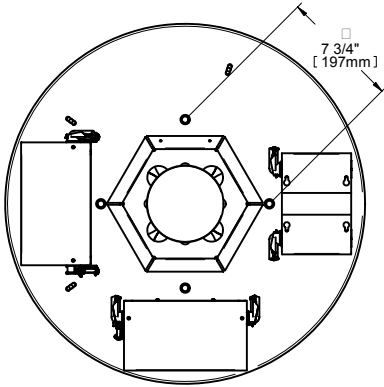


QUADRUPLE CONE

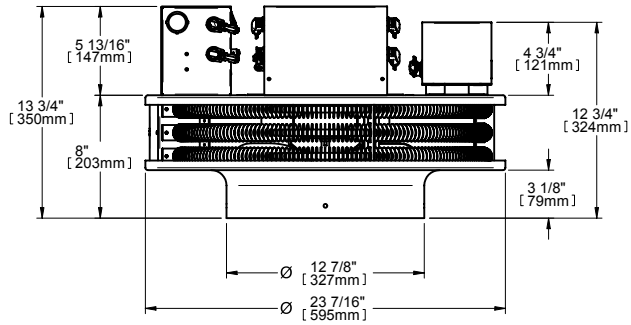


TECHNICAL DRAWINGS

5 KW TO 10 KW UNITS

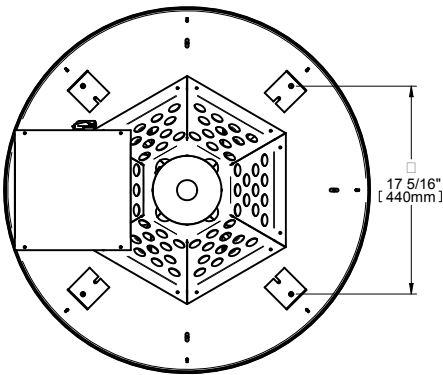


TOP

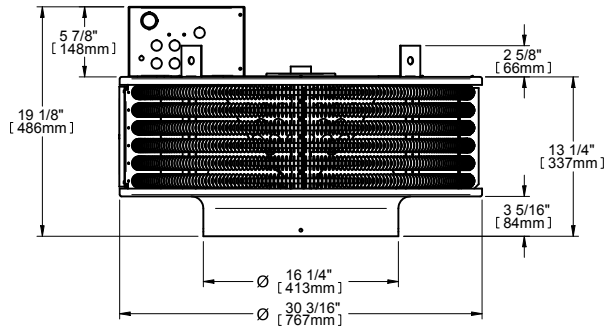


FRONT

15 KW TO 30 KW UNITS

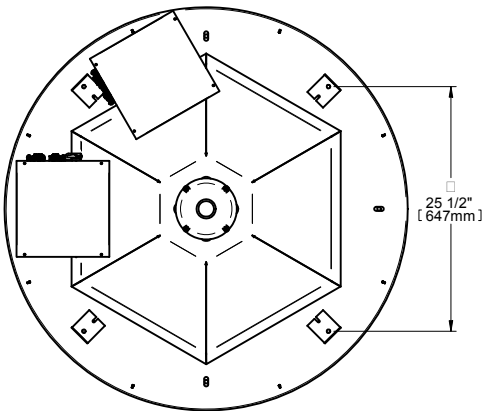


TOP

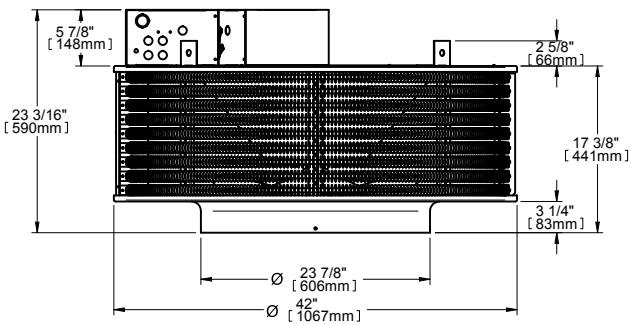


FRONT

40 KW TO 60 KW UNITS



TOP



FRONT