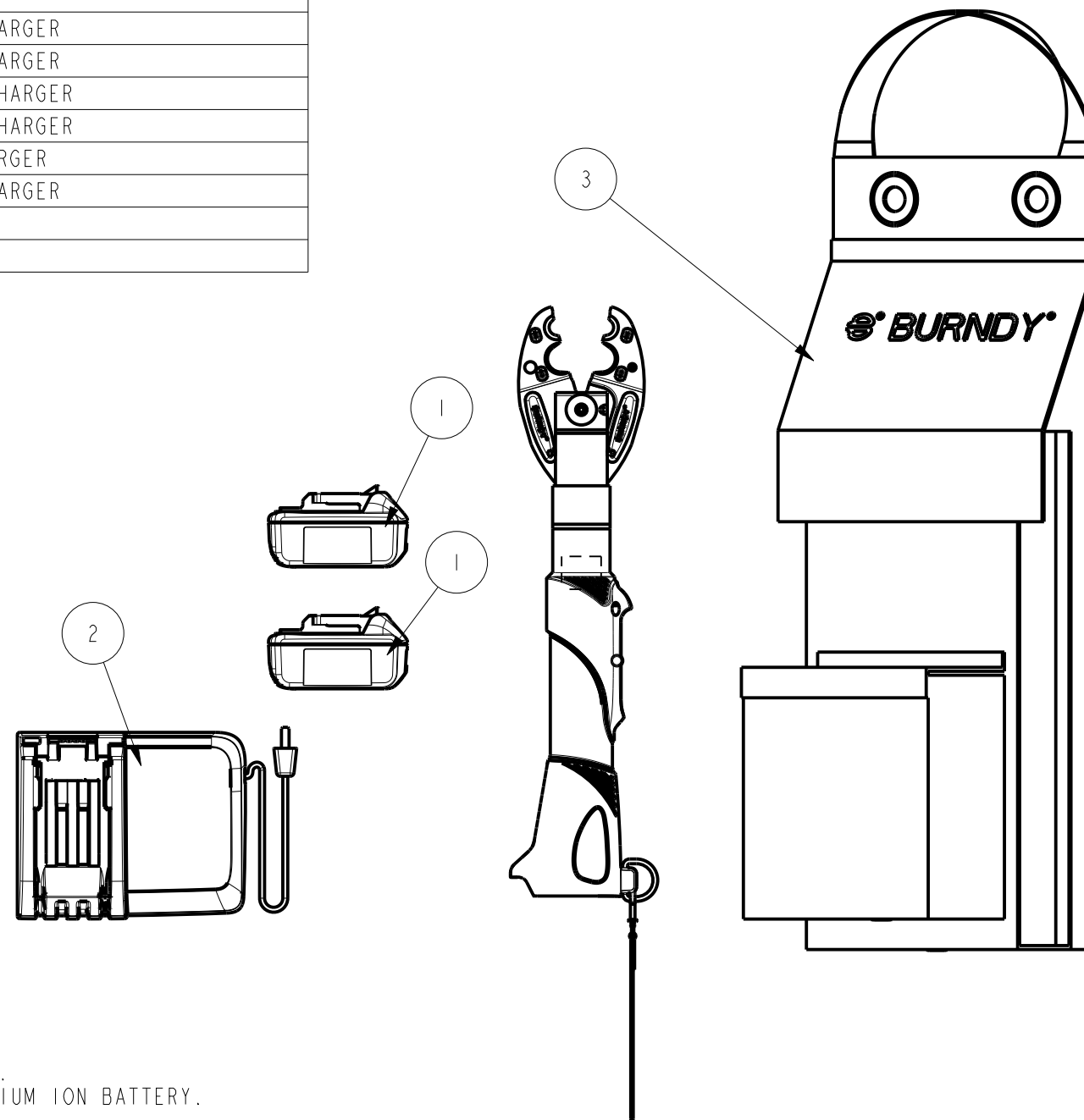


TABLE		
ITEM #	CATALOG #	DESCRIPTION
30007099	PATMD6LI	PATMD6 WITH "D3" & "BG" GROOVES 120V CHARGER
30007098	PATMD68LI	PATMD6 WITH "D3" & "O" GROOVES 120V CHARGER
50032354	PATMD68LIHC	PATMD6 WITH "D3" AND "O" GROOVES WITH HARD CASE
30007097	PATMD66LI	PATMD6 WITH "D3" GROOVE ONLY 120V CHARGER
30016281	PATMD6KLI	PATMD6 WITH KERNEY DIE GROOVES
30007096	PATMD6LIDC	PATMD6 WITH "D3" & "BG" GROOVES 12V CHARGER
30016282	PATMD6KLIDC	PATMD6 WITH KERNEY DIE GROOVES, 12V CHARGER
30007095	PATMD6LI250V	PATMD6 WITH "D3" & "BG" GROOVES 250V CHARGER
50026701	PATMD6KLI250V	PATMD6 WITH KERNEY DIE GROOVES, 250V CHARGER
30007094	PATMD68LIDC	PATMD6 WITH "D3" & "O" GROOVES 12V CHARGER
30007093	PATMD68LI250V	PATMD6 WITH "D3" & "O" GROOVES 250V CHARGER
30007092	PATMD66LIDC	PATMD6 WITH "D3" GROOVE 12V CHARGER
30007091	PATMD66LI250V	PATMD6 WITH "D3" GROOVE 250V CHARGER

REV.	DATE	DESCRIPTION	ECO	BY	C'H'K.
H	06/26/2014 00:00:00 AM	DRAWING RELEASED	36469	RK	MB

*** BILL OF MATERIAL ***

PT NO.	CATALOG NO.	QTY	DESCRIPTION
1	BAT18VLI	2	BATTERY, 18 VOLT LITHIUM ION
2	PATCHGRLI	1	120 V-AC CHARGER
2	PATCHGRLIDC	1	12V-DC CHARGER
2	PATCHGRLI250V	1	250V- CHARGER
3	TOOLBAGMDLI	1	TOOL BAG, PATMD-LI
3	PT50025151	1	CARRY CASE PATMD-LI
4	PT20443801	1	FIVE YEAR WARRANTY CARD
5	PATMD6LIOMI	1	SOMI, PATMD-LI
6	BATCHGRLISOMI	1	BATTERY CHARGER SAFETY OPERATING & MAINT. INST.



PATRIOT®

SPECIFICATIONS
 IN-LINE® BATTERY TOOL
 PATMD6-LI AND PATMD68-LI
 USES BURNDY "W" & "X" DIES
 CRIMP FORCE: 6 TONS (5.4 METRIC TONS)
 TOOL WEIGHT: 7.5 LBS (3.4 kg)
 LENGTH: 21.3 IN (541 mm)
 WIDTH: 2.8 IN (71.1 mm)
 HEIGHT: 4.25 IN (108 mm)
 OPERATING VOLTAGE: 18 V-DC
 RECHARGE TIME: < 30 MINUTES

SPECIFICATIONS
 IN-LINE® BATTERY TOOL
 PATMD66-LI
 USES BURNDY "W" & "X" DIES
 CRIMP FORCE: 6 TONS (5.4 METRIC TONS)
 TOOL WEIGHT: 7.3 LBS (3.3 kg)
 LENGTH: 20.4 IN (518 mm)
 WIDTH: 2.8 IN (71.1 mm)
 HEIGHT: 4.25 IN (108 mm)
 OPERATING VOLTAGE: 18 V-DC
 RECHARGE TIME: < 30 MINUTES

FEATURES

- TRUE ONE HANDED OPERATION FOR ADVANCE, RETRACT AND HOLD.
- 6 TON OUTPUT FORCE.
- STATE OF THE ART CRIMPING HEAD DESIGN, 350° ROTATION.
- AUDIBLE "POP OFF" INDICATES PROPERLY COMPLETED CRIMPS.
- ERGONOMICALLY BALANCED TOOL.
- DURABLE CARRY BAG.
- 5 YEAR LIMITED WARRANTY ON THE TOOL.
- 1 YEAR WARRANTY ON THE BATTERY.

BENEFITS

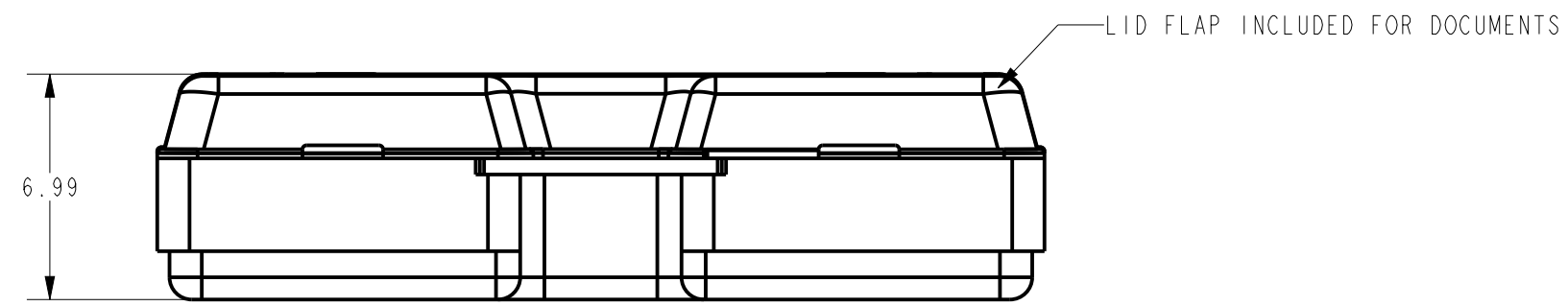
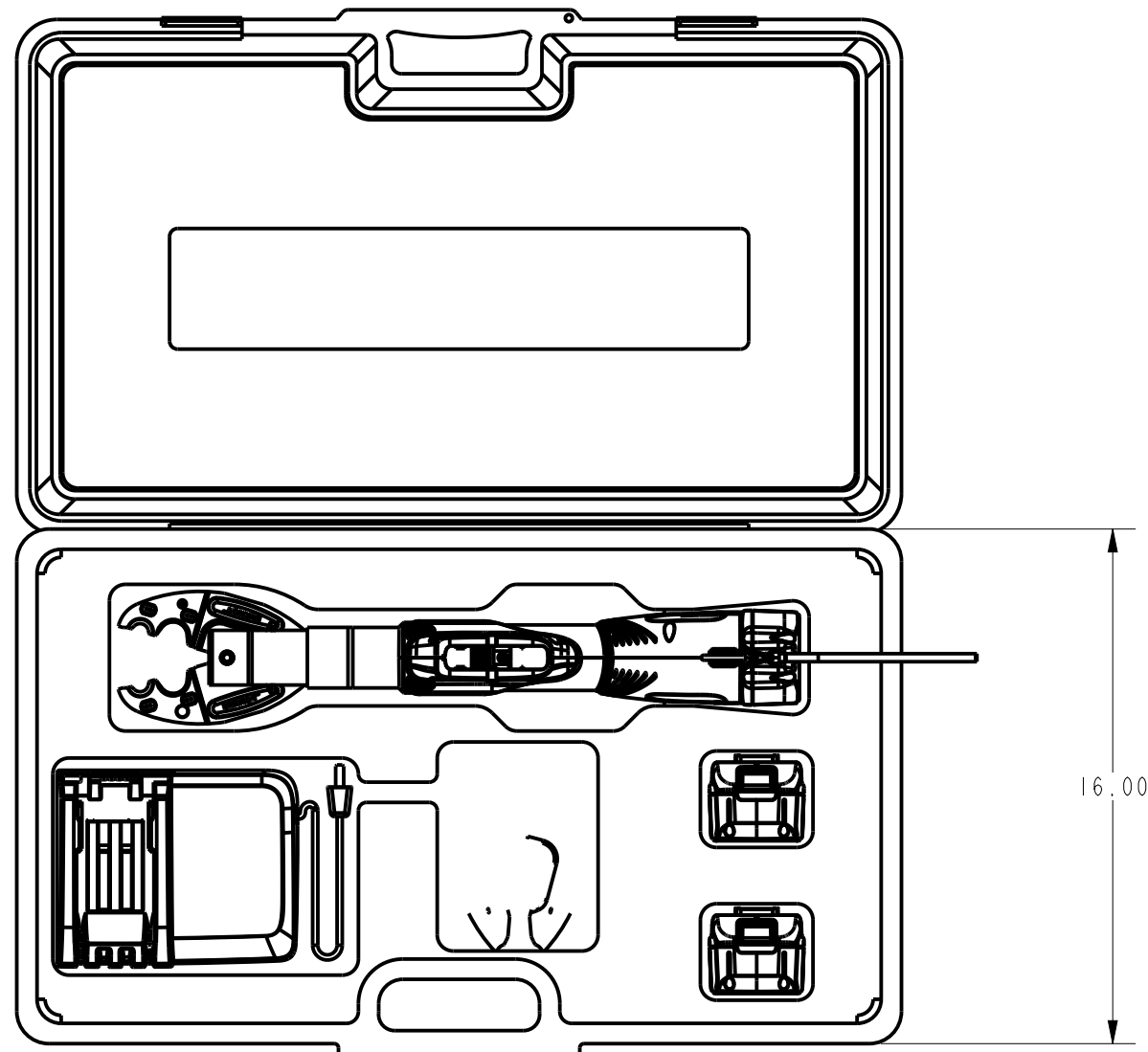
- VERSATILE TOOL HEAD POSITIONING LETS USER GET INTO TIGHT AREAS.
- LESS DOWN TIME DUE TO HIGH CAPACITY, HIGH VOLTAGE 18 VOLT LITHIUM ION BATTERY.
- ASSURES PROPER CRIMPS WITH AUDIBLE INDICATOR, LEAVING NO DOUBT FOR TOOL USER.
- ERGONOMICALLY BALANCED TOOL.
- SMOOTHER, QUIETER, MORE EFFICIENT TOOL OPERATION.

NOTES:

1. ALL PATRIOT® PRODUCTS ARE AVAILABLE WITH A DC CHARGER PERMITTING THE CHARGING OF 18V DC BATTERIES WITH A 12V SYSTEM.
2. TO ORDER 12 VOLT DC CHARGER SEPARATELY, ORDER CATALOG NUMBER PATCHGRLIDC.
3. EACH TOOL INCLUDES ONE CHARGER, WHICH IS DETERMINED BY THE TOOL CATALOG NUMBER.

TO ORDER BURNDY® PRODUCTS CALL		PATRIOT® MD6-LI IN-LINE® TOOL	
UNITED STATES: 1-800-346-4175 (LONDONDERRY, NH)		ITEM NO: 30007099	
CANADA: 1-800-361-6975 (QUEBEC) 1-800-387-6487 (ALL OTHER PROVINCES)		CAT. NO: DRAWASMS	
FOR PRODUCT INFO: http://www.burndy.com		DRAWN BY: T. FAUCHER 12/14/2010	
		CHECKER: M. CHIASSON 12/14/2010	
		DSN APPVL: P. WASON 06/12/2014	
		MFG APPVL: S. GONYAW 06/17/2014	
		QA APPVL: C. LINDQUIST 06/12/2014	
		MKT APPVL: M. RZASA 06/12/2014	
		SCALE: 3:16	
		PROD FAM: TOOLS, BATTERY	
		DRAWING NO	
		PROJECT #: 14075	
		SIZE	
		30007101	
		DOCUMENT TYPE: Sales	
		REL LEVEL: Released	
		SHEET 1 OF 2	
		H	

REV.	DATE	DESCRIPTION	ECO	BY	C'H'K.
H	06/26/2014 00:00:00 AM	DRAWING RELEASED	36469	RK	MB



HARD CASE SUPPLIED ON TOOLS WITH "-HC" SUFFIX ONLY

TO ORDER BURNDY® PRODUCTS CALL
 UNITED STATES:
 1-800-346-4175 (LONDONDERRY, NH)
 CANADA:
 1-800-361-6975 (QUEBEC)
 1-800-387-6487 (ALL OTHER PROVINCES)
 FOR PRODUCT INFO: <http://www.burndy.com>

PATMD6-LI, PATMD6-8-LI, PATMD6-6-LI		SCALE: 3:16	
ITEM NO: 30007099		DRAWING NO	
CAT. NO: DRAWASMS		REV	
DRAWN BY: T. FAUCHER	12/14/2010	BURNDY	
CHECKER: M. CHIASSON	12/14/2010		
DSN APPVL: P. WASON	06/12/2014		
MFG APPVL: S. GONYAW	06/17/2014		
QA APPVL: C. LINDQUIST	06/12/2014		
MKT APPVL: M. RZASA	06/12/2014		
PROD FAM: TOOLS, BATTERY	SIZE	30007101	H
PROJECT #: 14075	REL LEVEL: Released	SHEET 2 OF 2	

REV: PE0200