

2

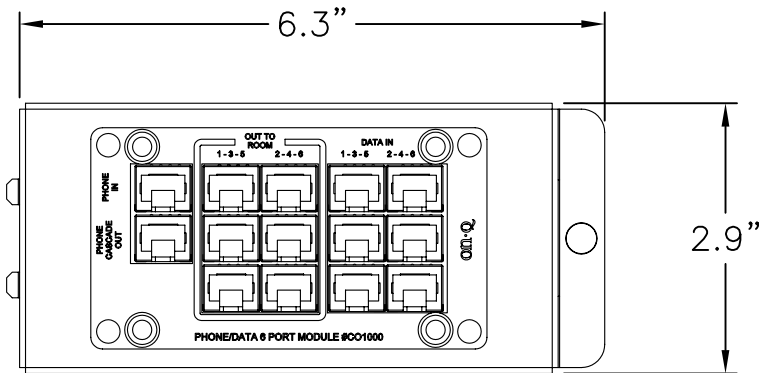
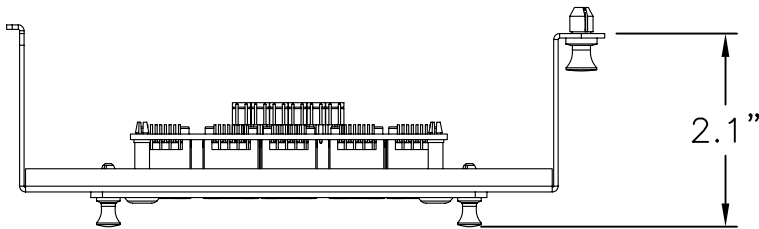
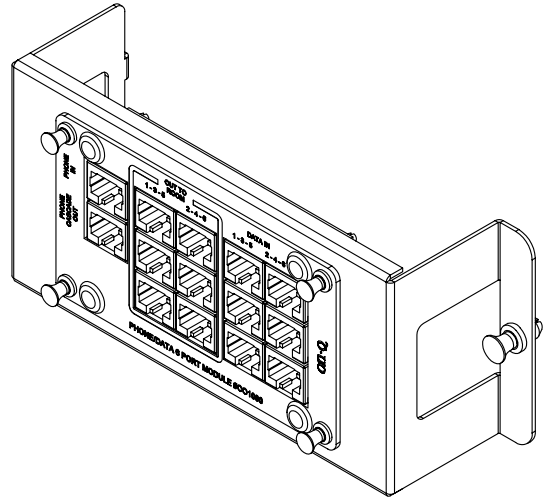
1

NOTES:

- 1. TERMINATION STANDARD: T568A
- 2. INPUT CONNECTIONS: RJ45
- 3. OUTPUT CONNECTIONS: RJ45

B

B



A

A

PROPRIETARY AND CONFIDENTIAL  
 THE INFORMATION CONTAINED  
 IN THIS DRAWING IS THE SOLE  
 PROPERTY OF On-Q/LEGRAND.  
 ANY REPRODUCTION IN PART OR  
 AS A WHOLE WITHOUT THE WRITTEN  
 PERMISSION OF On-Q/LEGRAND  
 IS PROHIBITED. DRAWING IS SUBJECT  
 TO CHANGE WITHOUT NOTICE.

**on·Q**

**legrand**

P.O. Box 60907  
 Middletown, PA 17106-0907  
 1-800-321-2343

TITLE:

**PHONE/DATA 6 PORT  
 DISTRIBUTION MODULE**

SIZE	DWG NO	FILE NAME	CUST REV
<b>A</b>	<b>CO1000</b>	<b>CD-CO1000</b>	<b>1</b>
REVISED DATE	SCALE	SHEET	
11/07/07	<b>NONE</b>	<b>1 OF 1</b>	

2

1