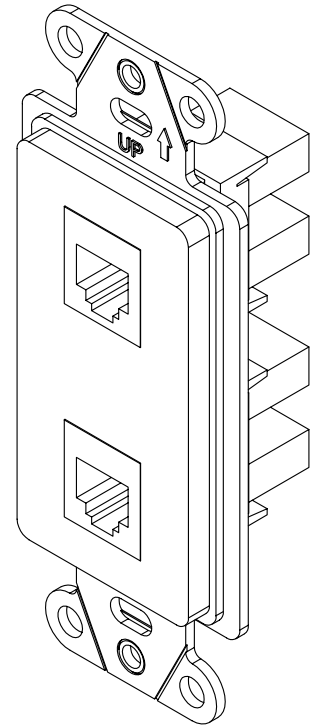


2

1

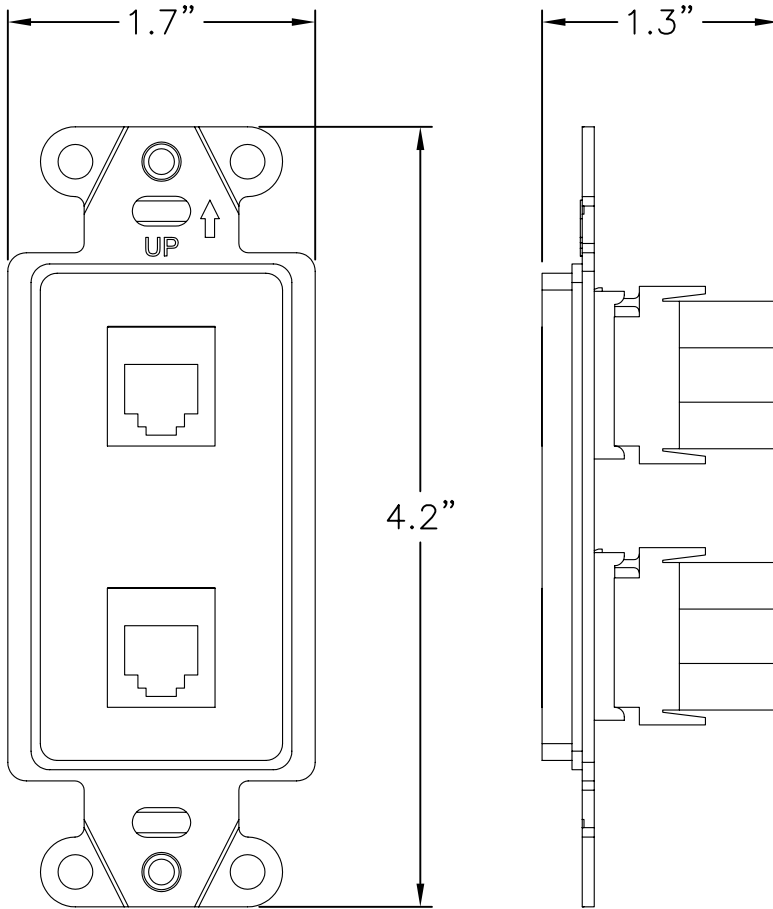
NOTES:

- 1. 2 CAT5E RJ45 PREASSEMBLED IN A 2 PORT DECORATOR STRAP
- 2. COLORS AVAILABLE:
 BLACK
 LIGHT ALMOND
 WHITE



B

B



A

A

PROPRIETARY AND CONFIDENTIAL
 THE INFORMATION CONTAINED
 IN THIS DRAWING IS THE SOLE
 PROPERTY OF On-Q/LEGRAND.
 ANY REPRODUCTION IN PART OR
 AS A WHOLE WITHOUT THE WRITTEN
 PERMISSION OF On-Q/LEGRAND
 IS PROHIBITED. DRAWING IS SUBJECT
 TO CHANGE WITHOUT NOTICE.

on·Q

legrand

P.O. Box 60907
 Middletown, PA 17106-0907
 1-800-321-2343

TITLE:

**PRECONFIGURED 2 PORT STRAP
 PHONE DATA, RJ45**

SIZE A	DWG NO WP3220	FILE NAME CD-3220	CUST REV 1
REVISED DATE 11/09/07	SCALE NONE	SHEET 1 OF 1	

2

1