

INSTRUCTION/INSTALLATION SHEET

GF TO ON-Q MODULE MOUNTING PLATE

1. Introduction

The GF to On-Q Module Mounting Plate (P/N 364819-01) is designed to easily mount two single-bay or one double-bay Greyfox module into an On-Q Home enclosure.

2. Description

The GF to On-Q Module Mounting Plate, (see *Figure 1*) is designed to be mounted in an On-Q Home enclosure, with two tabs on one end and two locking tabs (push-pins) on the other. Two single-bay Greyfox modules or one double bay Greyfox module is then attached to the plate with the module's four push-pins (one at each corner of the Greyfox module).

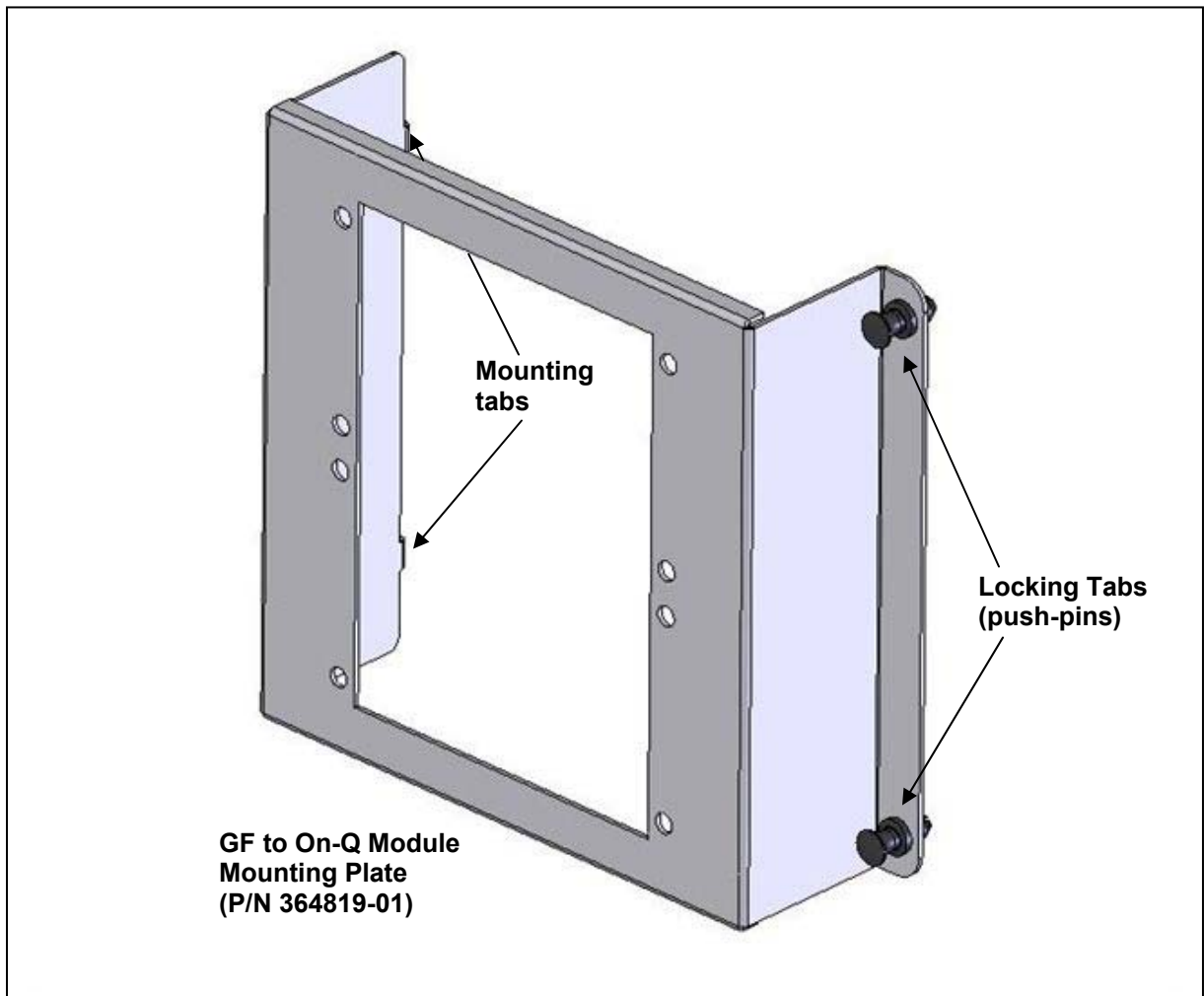


Figure 1

INSTRUCTION/INSTALLATION SHEET

GF TO ON-Q MODULE MOUNTING PLATE

IS-0310 REV. 0

3. Installation

The GF to On-Q Module Mounting Plate is typically installed during “trim-out” or as an upgrade for an existing installation.

- a. Place the Greyfox module/s on the mounting plate with the push-pins in each corner.
- b. Align two stationary tabs on the mounting plate with slots on the back of the enclosure (see *Figure 2*).
- c. Insert tabs by angling module away from the back of the enclosure and sliding forward (see *Figure 2*).
- d. Rotate the mounting plate and insert the built in locking tab (push-pins) on the mounting plate into the corresponding hole on the back of the enclosure, pushing in until it snaps into place (see *Figure 2*).
- e. Pull lightly on the mounting plate to assure it is properly locked in place.
- f. The CAT5e, coax, or power cables may be run behind the mounting plate if necessary for a cleaner installation.

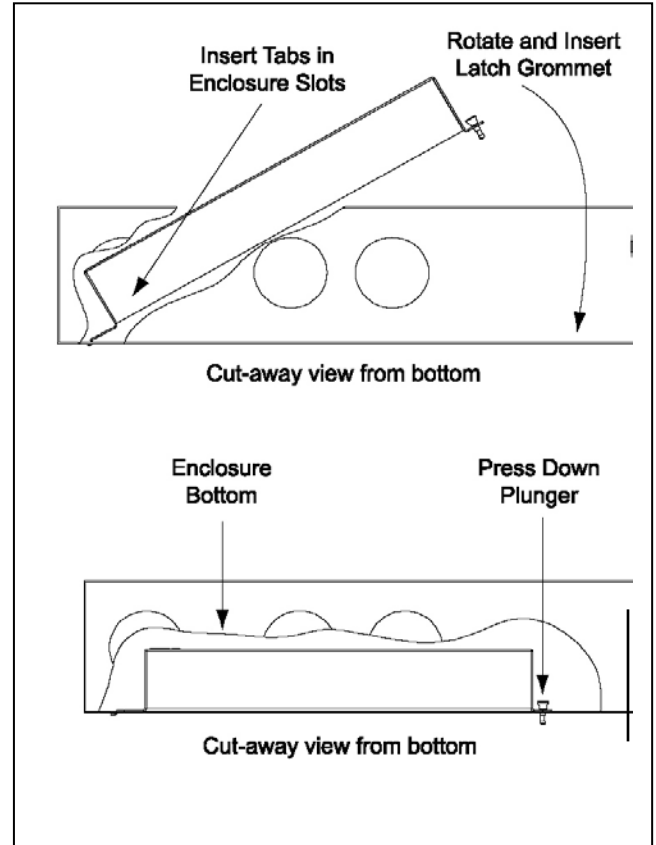


Figure 2