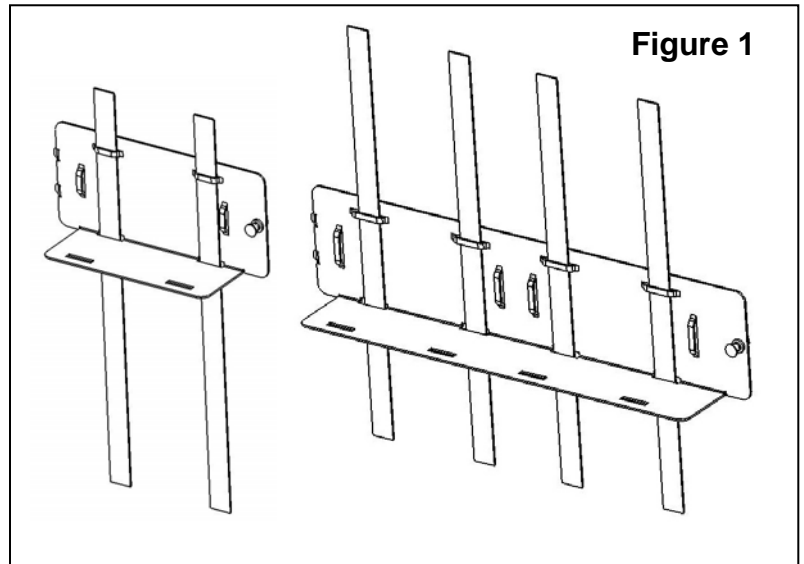


### 1. Introduction

The On-Q/Legrand Universal Mounting Plates (see **Figure 1**) are designed to easily mount a variety of products in an On-Q style enclosure.

### 2. Description

The On-Q Universal Mounting Plates are available in half-width (P/N **364896-01**) or full-width (P/N **364904-01**) versions. The half-width version comes with two Velcro® hook and loop style straps used to secure products, while the full-width version comes with four straps. Each plate has multiple slots for attaching products of varying thickness and in either vertical or horizontal orientation.

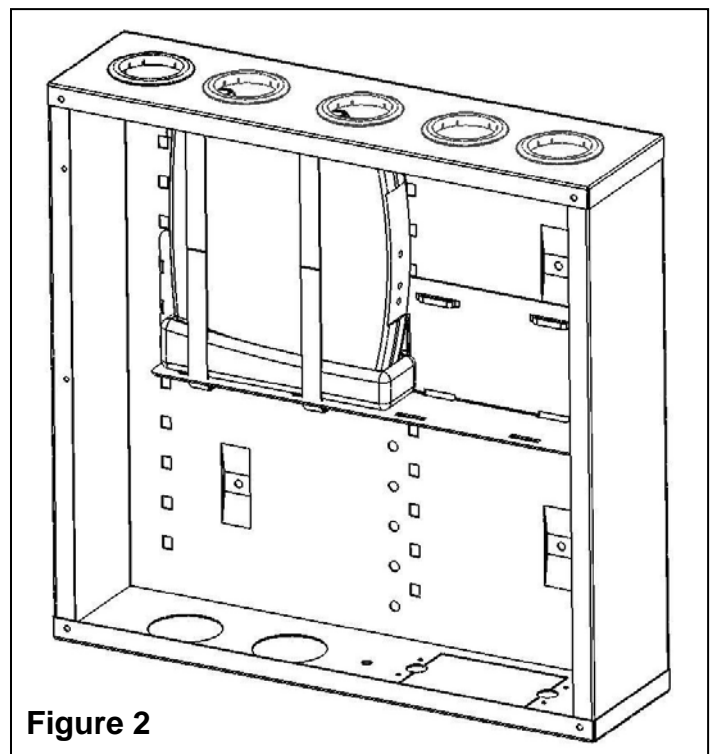


**Figure 1**

### 3. Installation

The On-Q Universal Mounting Plates are typically installed during the “trim-out” phase of a new installation or associated with an upgrade for an existing installation.

- a. Align and insert the stationary tabs on the left hand side of the plate into the square slots in the enclosure and use the push-pin on the right side of the plate to secure the plate to the enclosure.
- b. Use the hook and loop straps provided to firmly mount the product to the plate (see **Figure 2**).



**Figure 2**