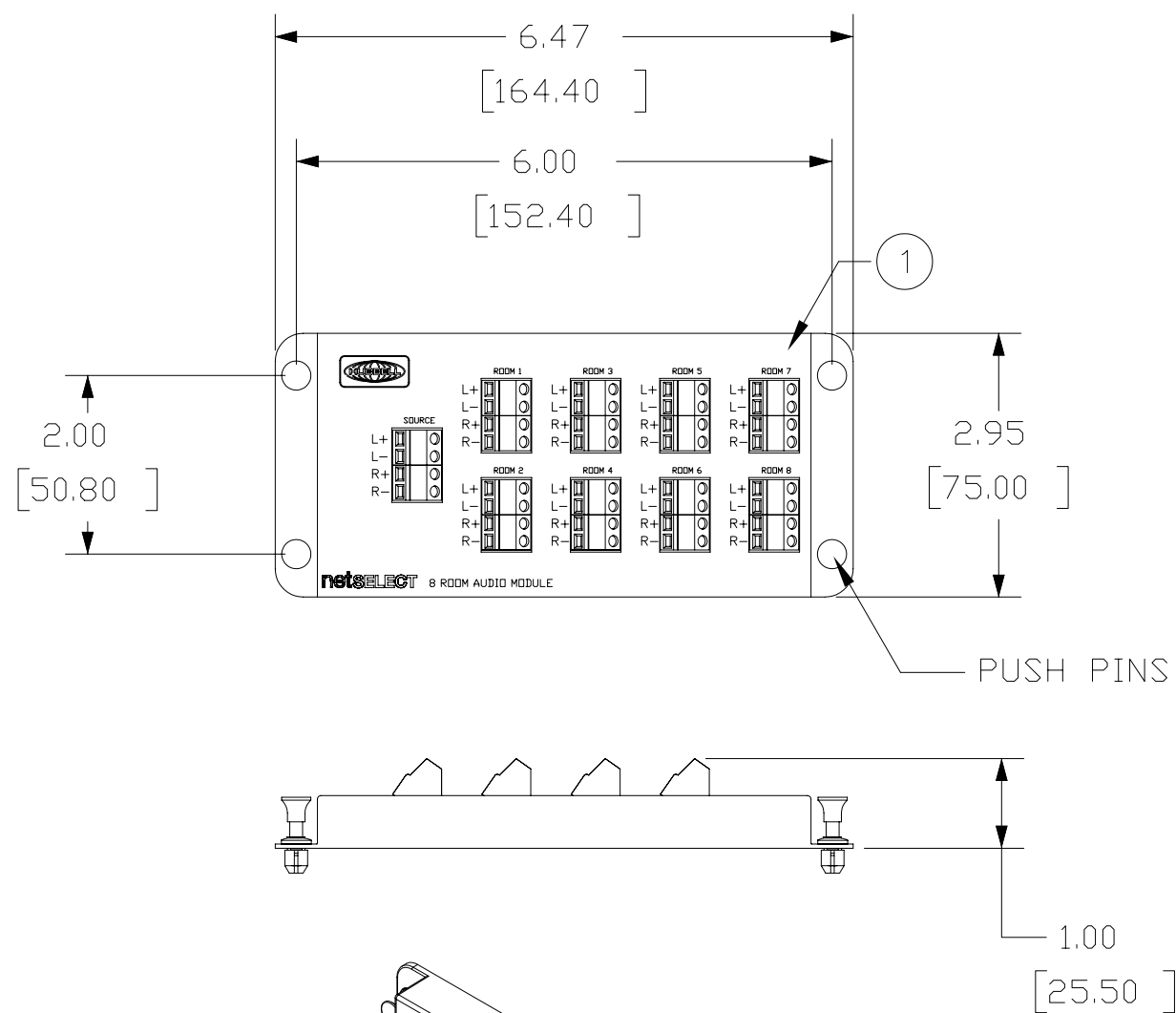


ITEM NO.	DESCRIPTION	QTY.	CATALOG NUMBER	DESCRIPTION
1	8 PORT AUDIO MODULE	1	NSOAM8	8 PORT AUDIO MODULE
2	INSTRUCTION SHEET (NOT SHOWN)	1		



NOTES:

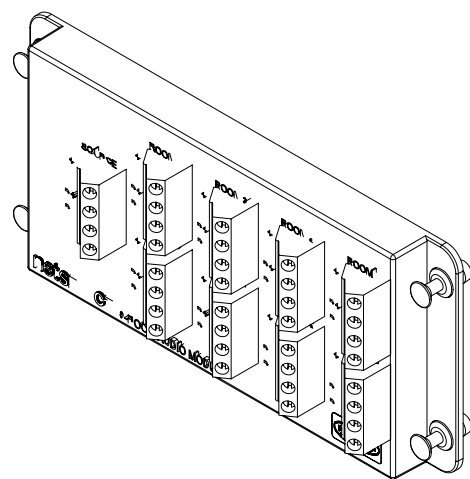
1. SPECIFICATIONS:


POWER RATING: 200W RMS AT 20°C
 TERMINAL WIRE SIZE: 12 TO 24 AWG
 TERMINAL SCREW TORQUE: 4Kgf-cM
 OPERATING TEMPERATURE: -40° TO 105°C

2. COLOR: BODY: BLACK WITH WHITE SILK-SCREEN
 TERMINALS: GREEN

3. SPECIFICATIONS SUBJECT TO CHANGE WITHOUT NOTICE.

4. MUST BE USED WITH INPEDANCE MATCHING VOLUME CONTROLS.
 (NSOSAVC OR NSORAVC)



Created on AUTOCAD	DIMENSIONING AND TOLERANCE PER ANSI Y14.5M-1982 UNLESS OTHERWISE SPECIFIED, DIMENSIONS ARE IN INCHES (MM). TOLERANCES .XX = ±.01 (.25) .XXX = ±.005 (.127) .XXXX = ±.0025 (.0635) ANGLE TOL ±1°		PROJECT REFERENCE: 2008-009		 Hubbell Premise Wiring HUBBELL INCORPORATED (Delaware) 14 Lord's Hill Road, Stonington, Connecticut 06378		
	IN ACCEPTING OUR DRAWINGS, BLUEPRINTS, OR SUPPORTING DOCUMENTATION FOR QUOTATION OR OTHER PURPOSES, YOU AGREE NOT TO DISCLOSE TO OTHERS THE IDEAS, INFORMATION, OR DESIGNS SHOWN HEREIN, AND THAT YOU WILL MAKE NO USE OF SAME WITHOUT PERMISSION		MATERIAL: BRACKET: ABS PLASTIC UL 94-V0			TITLE: SOHO 8 PORT AUDIO MODULE	
			DRAWN BY: B MARTINO 01/24/08		SIZE: B	DRAWING NO. HWS12637C	REV. A
			CHECKED BY:		SCALE: N/A		SHEET 1 OF 1
		APPROVED BY:					

REV.	ECN	DATE	DESCRIPTION	CHG BY	APPD BY
A	6270	01/24/08	INITIAL RELEASE	BTM	