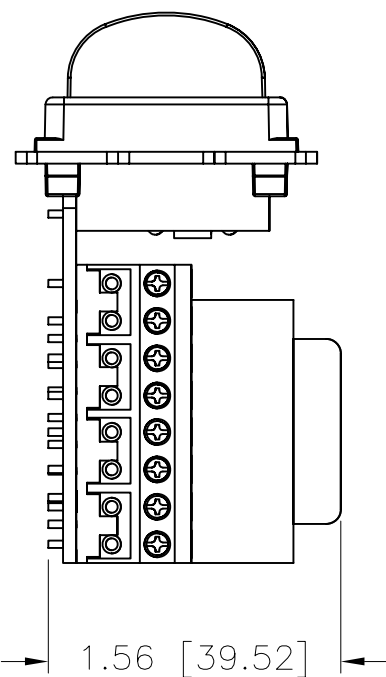
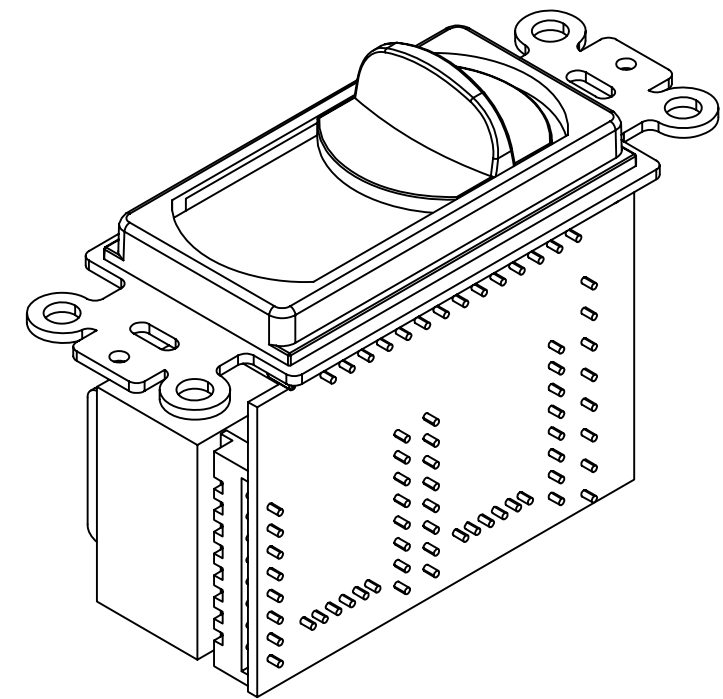
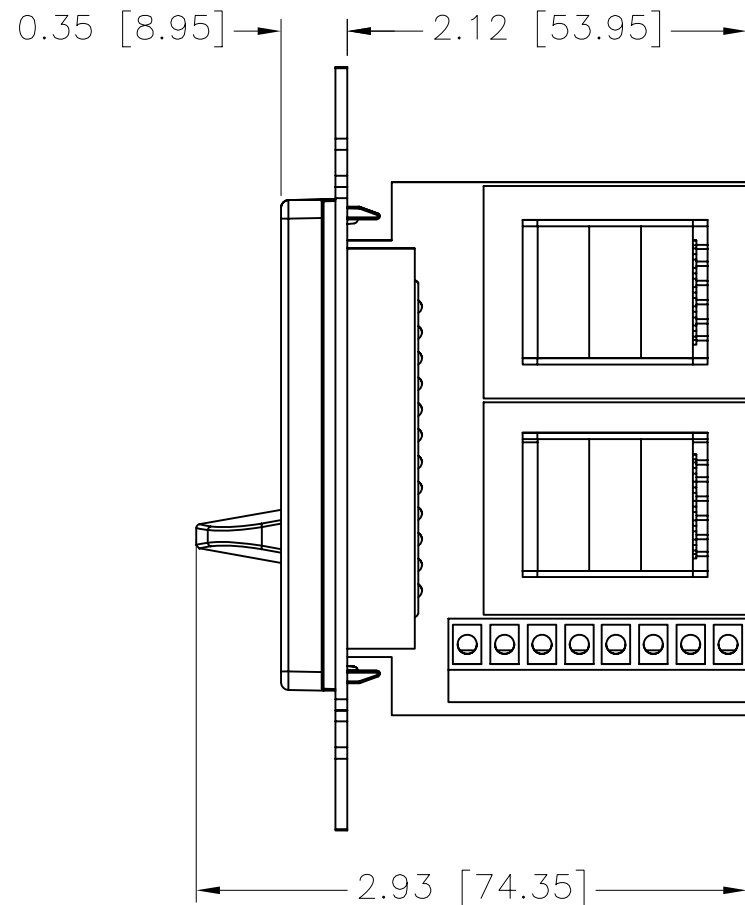
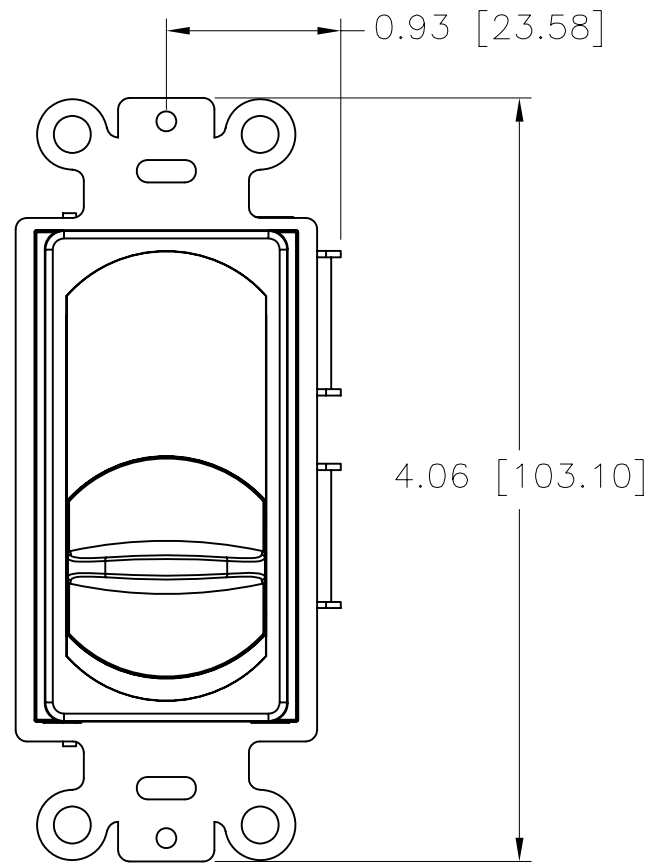


ITEM NO.	DESCRIPTION	QTY.
NSOSAVC	SLIDE VOLUME CONTROL	1



NOTES:

1. POWER RATING: 50W(RMS); 150W(MUSIC POWER).
2. FREQUENCY RESPONSE: 30Hz-20KHz -2dB.
3. ATTENUATION STEPS = 12.
4. MAX ATTENUATION = -42dB.
5. ACCEPTS WIRE SIZES 22-14 AWG.
6. SYSTEM: STEREO
7. IMPEDENCE COMPENSATION FOR 2, 4, AND 8 PAIRS OF SPEAKERS.
8. PRODUCT IS cULus LISTED.
9. PRODUCT CONTAINS MOUNTING SCREWS, WHITE AND IVORY COMPONENTS, AND INSTRUCTION SHEET.

REV.	ECN	DATE	DESCRIPTION	CHG BY	APPD BY
A	5888	7/21/06	INITIAL RELEASE	NLH	

Created on AUTOCAD

DIMENSIONING AND TOLERANCE PER ANSI Y14.5M-1982
UNLESS OTHERWISE SPECIFIED, DIMENSIONS ARE IN INCHES (MM).
TOLERANCES
.XX = ±.01 (.25)
.XXX = ±.005 (.127)
.XXXX = ±.0025 (.0635)
ANGLE TOL ±1°

IN ACCEPTING OUR DRAWINGS, BLUEPRINTS, OR SUPPORTING DOCUMENTATION FOR QUOTATION OR OTHER PURPOSES, YOU AGREE NOT TO DISCLOSE TO OTHERS THE IDEAS, INFORMATION, OR DESIGNS SHOWN HEREIN, AND THAT YOU WILL MAKE NO USE OF SAME WITHOUT PERMISSION

PROJECT REFERENCE:

2004-181

MATERIAL:

N/A

DRAWN BY:

NATE HERRING 7/21/06

CHECKED BY:

APPROVED BY:



Hubbell Premise Wiring
HUBBELL INCORPORATED (Delaware)
14 Lord's Hill Road, Stonington, Connecticut 06378

TITLE:

netSELECT SLIDE VOLUME CONTROL

SIZE

B

DRAWING NO.

HWS12443C

REV.

A

SCALE:

1:1

SHEET

1 OF 1