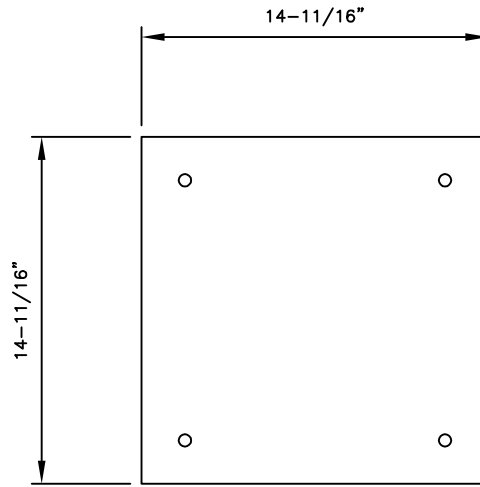
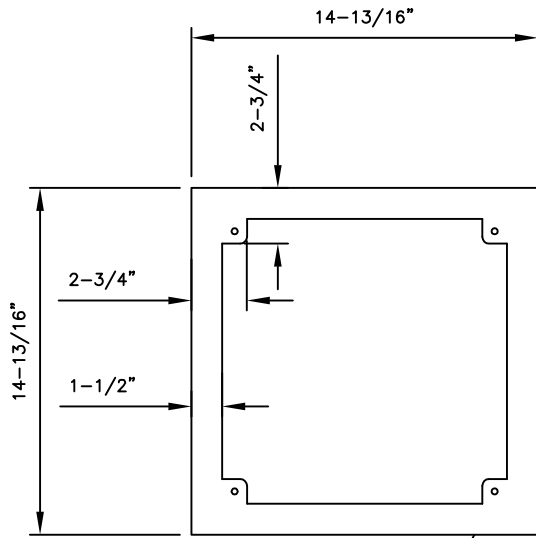


RIGID PVC CONDUIT
CONDUIT RIGIDE EN PVC

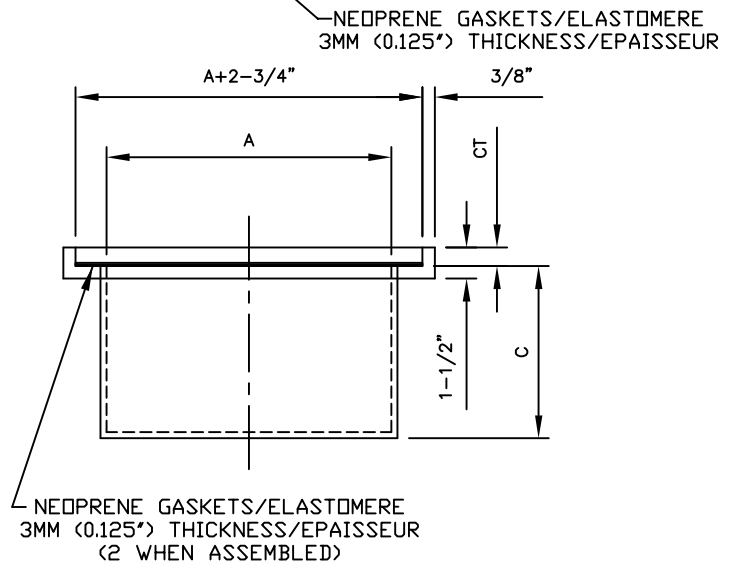
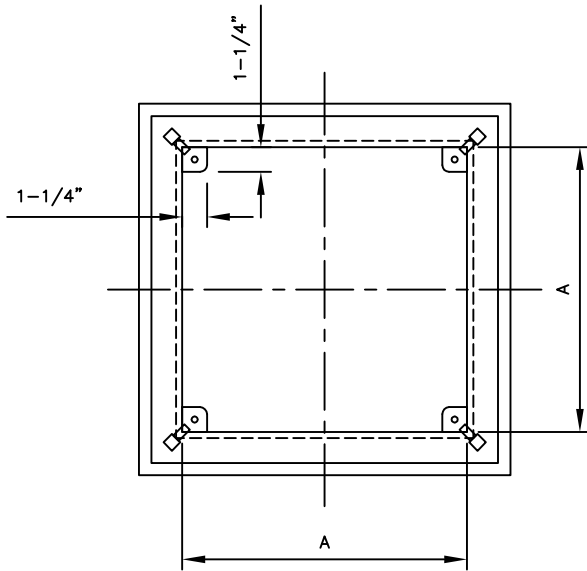
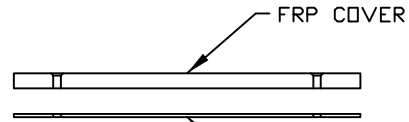
HWY BOX FLG W/C / BTE JCT RENFORCEE

ISSUE DATE: 2007 04 20
DATE D'EMISSION:

SUPERSEDES: 2006 09 20
REPLACE:



NEOPRENE GASKETS/ELASTOMERE
3MM (0.125") THICKNESS/EPAISSEUR
PROFILE



CODE	Size Grosueur	A Ref.	C Ref.	CT Ref.
077219	300mmx300mmx150mm (12"x12"x6")	305mm (12.0")	159mm (6.25")	29mm (1.125")
077220	300mmx300mmx200mm (12"x12"x8")	305mm (12.0")	210mm (8.25")	29mm (1.125")