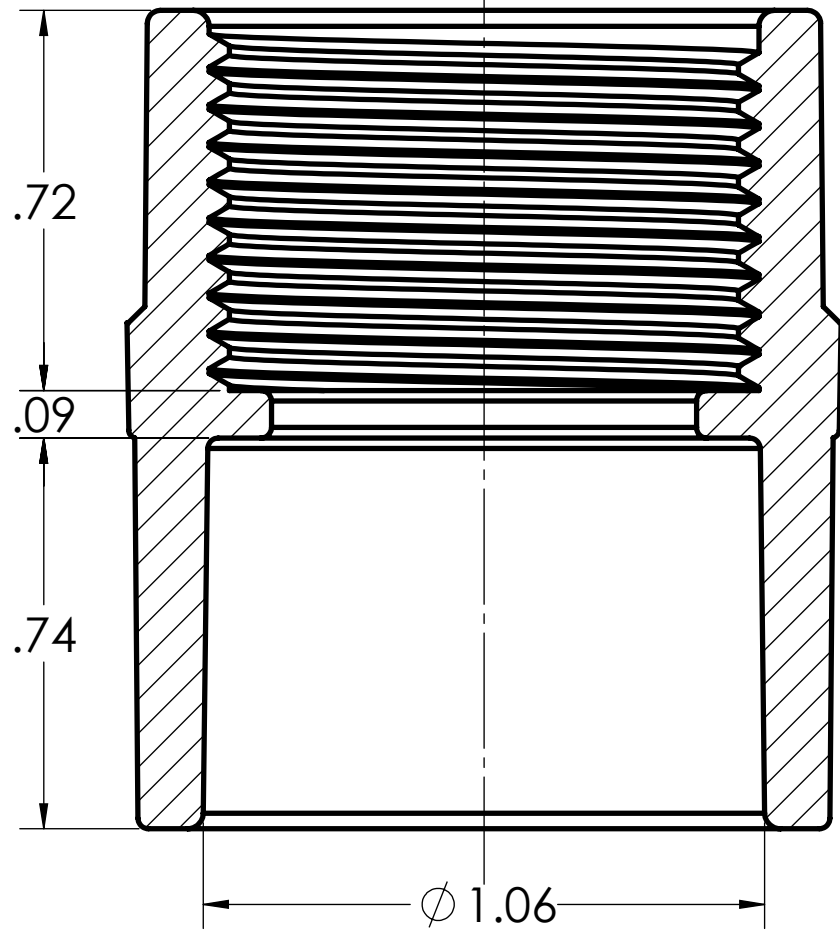


1.35

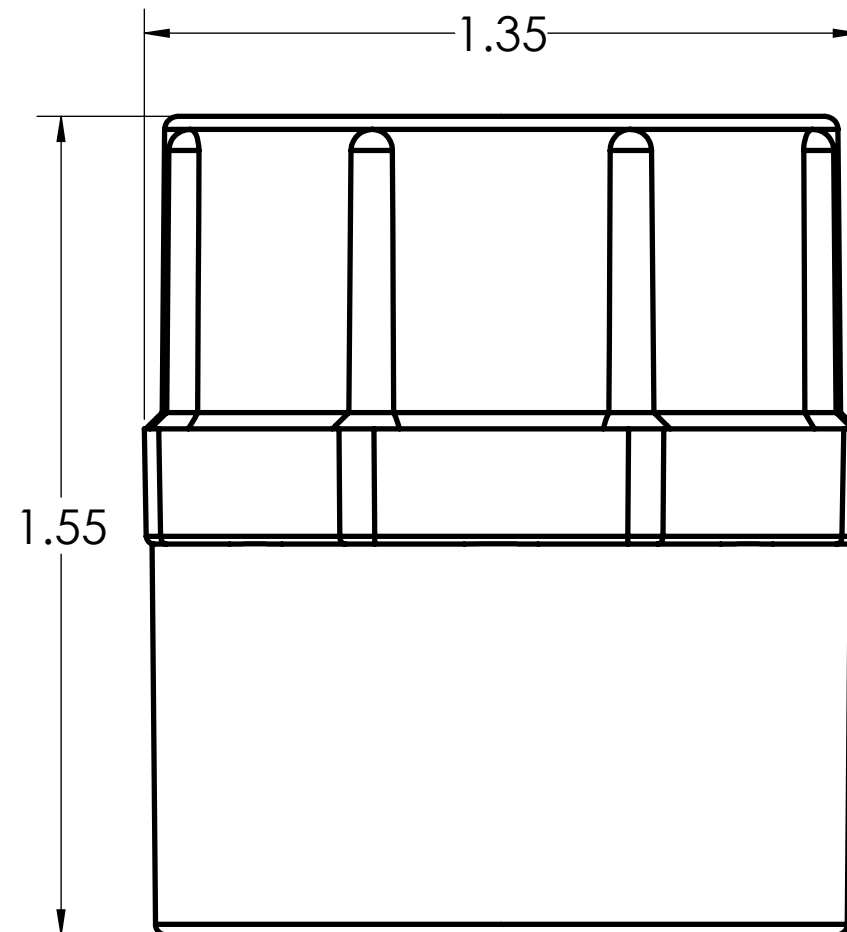


.72

.09

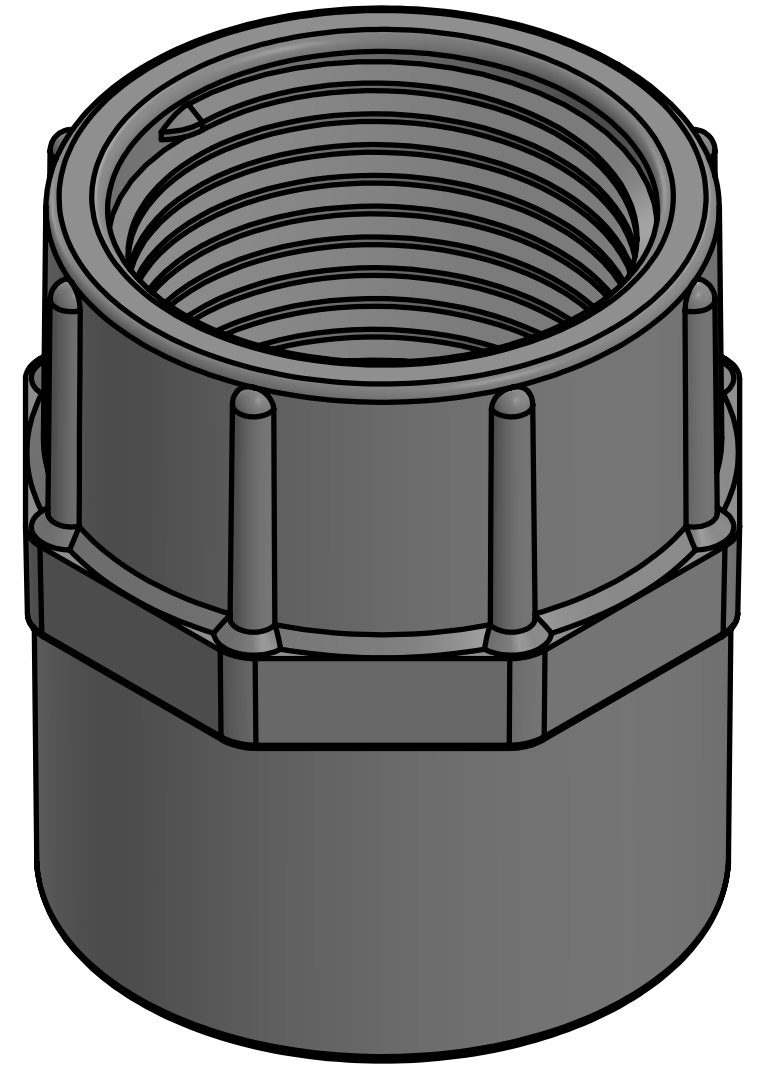
.74

ϕ 1.06



1.35

1.55



DIMENSIONS SHOWN ARE FOR REFERENCE AND ARE SUBJECT TO CHANGE WITHOUT NOTICE

IPEX Technologies Inc.

PART DESCRIPTION

FA15 3/4" PVC FEMALE ADPT SCEPTER

PRODUCT CODE:
077042

UNIT: INCHES UNLESS
DUAL DIMENSION: INCH [METRIC]

SCALE:
NTS

DRAWN: T.Q.