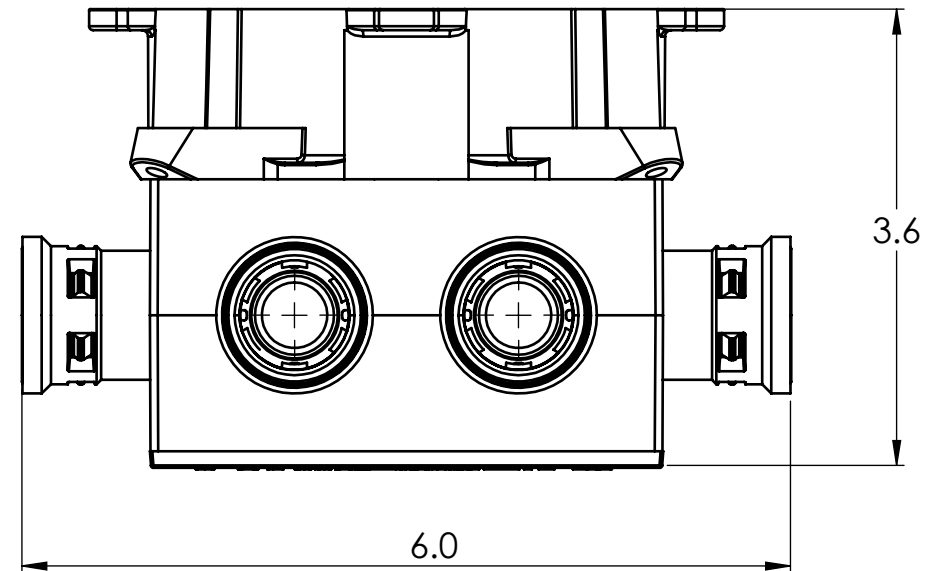
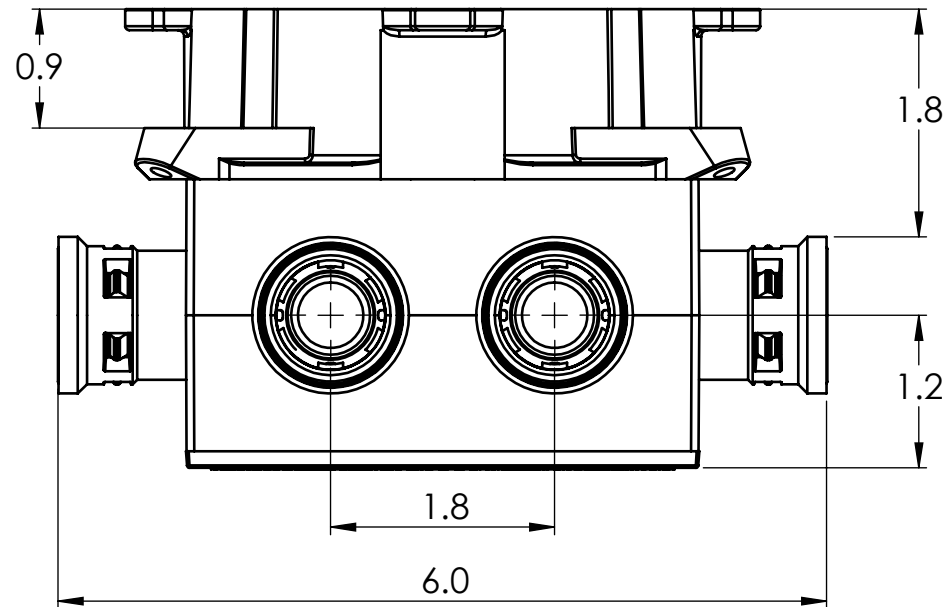
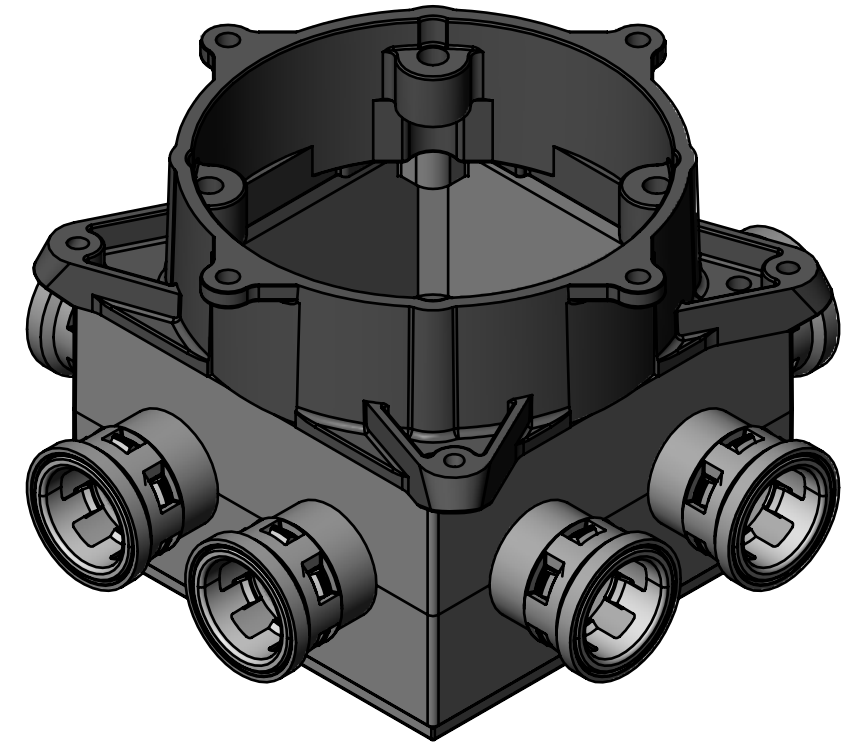


8 x 1/2" Retainer Hub



PLASTIC/RUBBER SIZES

SIZES SHOWN ARE FOR REFERENCE 3D MODEL IS TO BE USED FOR MANUFACTURING / VERIFICATION				ALL CHANGES MUST BE APPROVED AND RECORDED BY ENGINEERING			
UNIT: INCHES UNLESS DUAL DIMENSION: INCH [METRIC]		PROJECTION 		<b>IPEX Technologies Inc.</b>			
THIS DRAWING AND ALL TECHNICAL INFORMATION APPEARING HEREON ARE PROPERTY OF IPEX TECHNOLOGIES INC. AND MUST BE KEPT IN CONFIDENCE BY THE RECIPIENT. THE SAME MAY NOT BE USED OR REPRODUCED EITHER IN WHOLE OR IN PART WITHOUT THE EXPRESS CONSENT OF IPEX TECHNOLOGIES INC.				TITLE SMBH10 PVC SLAB BOX CDN KWIKON			
PART APPEARANCE:		COLOR:		DRAWN		DATE: 28/08/2020	
SURFACE FINISHES: (UNLESS OTHERWISE NOTED)				APP'D		SCALE: NA	
INSIDE:		OUTSIDE:		OTHER:		PRODUCT CODE: 089455	
DIMENSIONS ARE IN INCHES TOLERANCES (UNLESS OTHERWISE SPECIFIED) FRACTIONAL ± 1/32 X.X ± 0.015 X.XX ± 0.010 X.XXX ± 0.005 ANGULAR ± 1.0				REFERENCE DIMENSIONS ARE SHOWN WITH REF. NOTE		PROJECT No.	
FILENAME:				FOLDER:			