

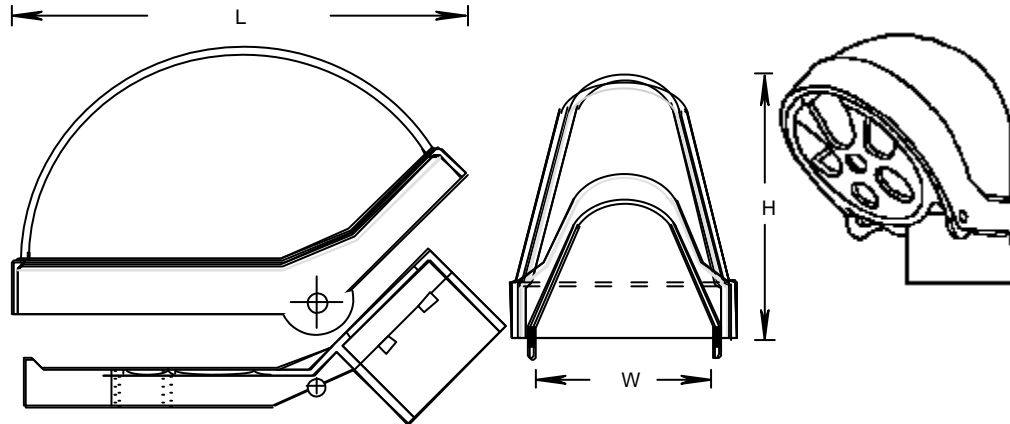
RIGID PVC CONDUIT FITTINGS

ISSUE DATE:
DATE D'EMISSION: 2003 07 15

ENTRANCE FITTING

SUPERCEDES:
REPLACE: 2003 05 15

4



PRODUCT CODE	PART NUMBER	NOMINAL SIZE		L		W		H	
		(in)	(mm)	(in)	(mm)	(in)	(mm)	(in)	(mm)
076484*	EF25	1 1/4	35	5.100	129.5	3.000	76.2	2.500	63.5
077281	EF10	1/2	16	3.000	76.2	2.000	50.8	1.750	44.5
077282	EF15	3/4	21	3.000	76.2	2.000	50.8	1.750	44.5
077283 **	EF20	1	27	3.700	94.0	3.000	76.2	2.500	63.5
077284	EF25	1 1/4	35	5.100	129.5	3.000	76.2	2.500	63.5
077285	EF30	1 1/2	41	6.700	170.2	4.000	101.6	3.440	87.4
077286	EF35	2	53	6.700	170.2	4.000	101.6	3.440	87.4
077287	EF40	2 1/2	63	12.400	315.0	7.500	190.5	6.060	153.9
077288	EF45	3	78	12.400	315.0	7.500	190.5	6.060	153.9
077289 **	EF50	3 1/2	91	12.400	315.0	7.500	190.5	6.060	153.9
077290	EF55	4	103	15.200	386.1	11.250	285.8	10.380	263.7
077279	EF45A	2 1/2	63	6.700	170.2	4.000	101.6	3.440	87.4

PRODUCT CODE	PART NUMBER	NOMINAL SIZE		FORK CODE	SOLVENT WELDED BUSHING/ COUPLING	
		(in)	(mm)		CODE	SIZE
076484*	EF25	1 1/4	35			
077281	EF10	1/2	16		097554	3/4X1/2"
077282	EF15	3/4	21			
077283 **	EF20	1	27			
077284	EF25	1 1/4	35			
077285	EF30	1 1/2	41		097557	2X 1 1/2"
077286	EF35	2	53			
077287	EF40	2 1/2	63	097973	097558	3X 1 1/2"
077288	EF45	3	78	097973		
077289 **	EF50	3 1/2	91	097973	097976	3 1/2X3"
077290	EF55	4	103	097975		
077279	EF45A	2 1/2	63		077002	

* For RACO, labeled marked with new PO number for each run
** CODES 077283 AND 077289 ARE NOT UL LISTED

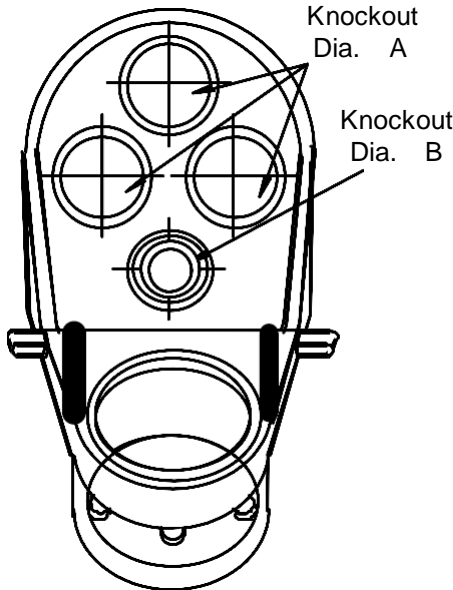
RIGID PVC CONDUIT FITTINGS

ISSUE DATE:
DATE D'EMISSION: 2003 07 15

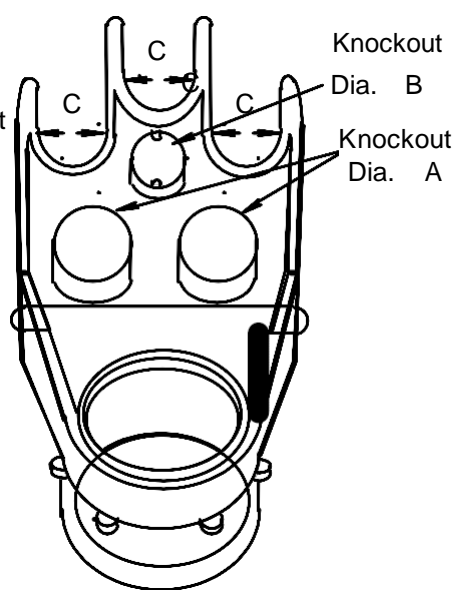
ENTRANCE FITTING

SUPERCEDES:
REPLACE: 2003 05 15

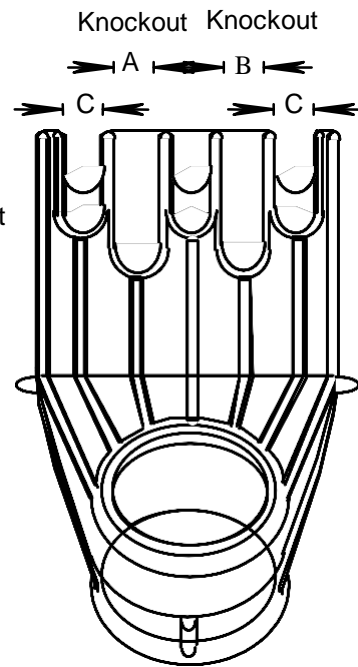
4



FORK FOR EF10 TO EF20



FORK FOR EF25 TO EF50



FORK FOR EF55

PRODUCT CODE	PART NUMBER	NOMINAL SIZE		KNOCKOUTS				C	
		(in)	(mm)	A		B		(in)	(mm)
				(in)	(mm)	(in)	(mm)	(in)	(mm)
076484	EF25	1 1/4	35	0.750	19.1	0.500	12.7	0.750	19.1
077281	EF10	1/2	16	0.435	11.1	0.330	10.3	-	-
077282	EF15	3/4	21	0.430	11.1	0.330	10.3	-	-
077283	EF20	1	27	0.560	14.2	1.000	25.4	-	-
077284	EF25	1 1/4	35	0.750	19.1	0.500	12.7	0.750	19.1
077285	EF30	1 1/2	41	0.810	20.6	0.500	12.7	0.875	22.2
077286	EF35	2	53	0.810	20.6	0.500	12.7	0.875	22.2
077287	EF40	2 1/2	63	1.250	31.8	1.250	31.8	1.750	44.5
077288	EF45	3	78	1.250	31.8	1.250	31.8	1.750	44.5
077289	EF50	3 1/2	91	1.250	31.8	1.250	31.8	1.750	44.5
077290	EF55	4	103	1.530	28.9	1.530	28.9	1.530	28.9
077279	EF45A	2 1/2	63	0.810	20.6	0.500	12.7	0.875	22.2

