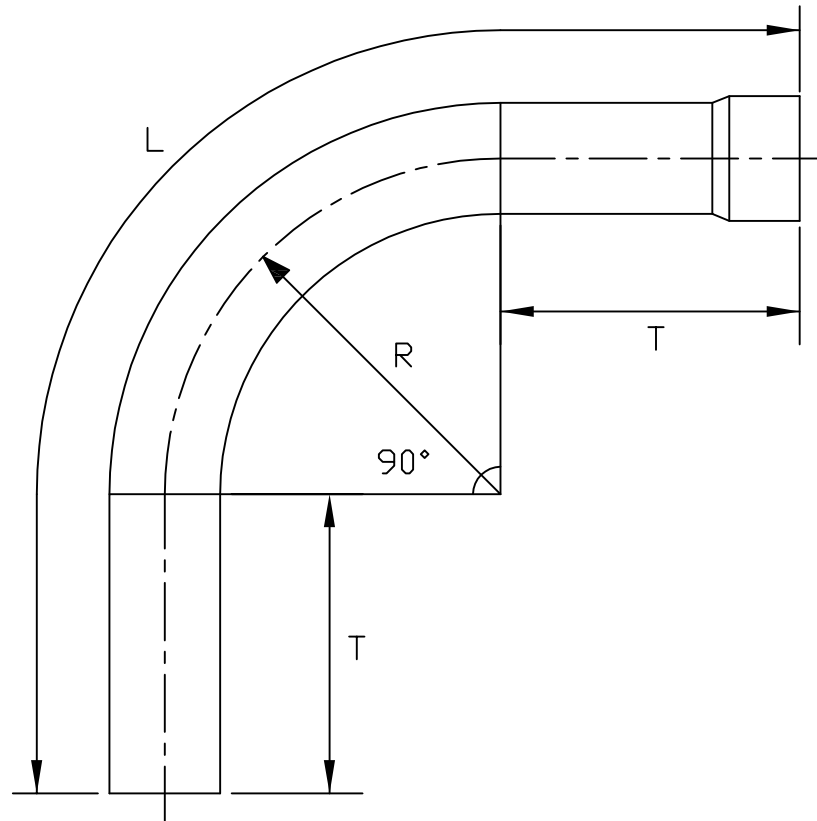


RIGID PVC CONDUIT
CONDUIT RIGIDE EN PVC

90° UTILITY BEND / 90° COUDE UTILITE

ISSUE DATE: 2003 07 31
DATE D'EMISSION:

SUPERSEDES: 2000 12 28
REPLACE:



CODE	Size Grosueur	L Ref.	R Ref.	T Ref.
* 069257	53mm (2")	3048mm (120.0")	610mm (24.0")	1041mm (41.0")
* 069260	53mm (2")	3048mm (120.0")	914mm (36.0")	813mm (32.0")
* 069261	78mm (3")	3048mm (120.0")	914mm (36.0")	813mm (32.0")
* 069263	129mm (5")	3048mm (120.0")	914mm (36.0")	813mm (32.0")
* 069264	155mm (6")	3048mm (120.0")	914mm (36.0")	813mm (32.0")
* 069265	78mm (3")	3048mm (120.0")	610mm (24.0")	1041mm (41.0")
* 069266	103mm (4")	3048mm (120.0")	1219mm (48.0")	559mm (22.0")
* 069267	103mm (4")	3048mm (120.0")	914mm (36.0")	813mm (32.0")

*- CSA CERTIFIED / CERTIFIE

L-LENGTH OF PIPE BEFORE BENDING / LONGUEUR DU TUYAU AVANT D'ETRE COURBE