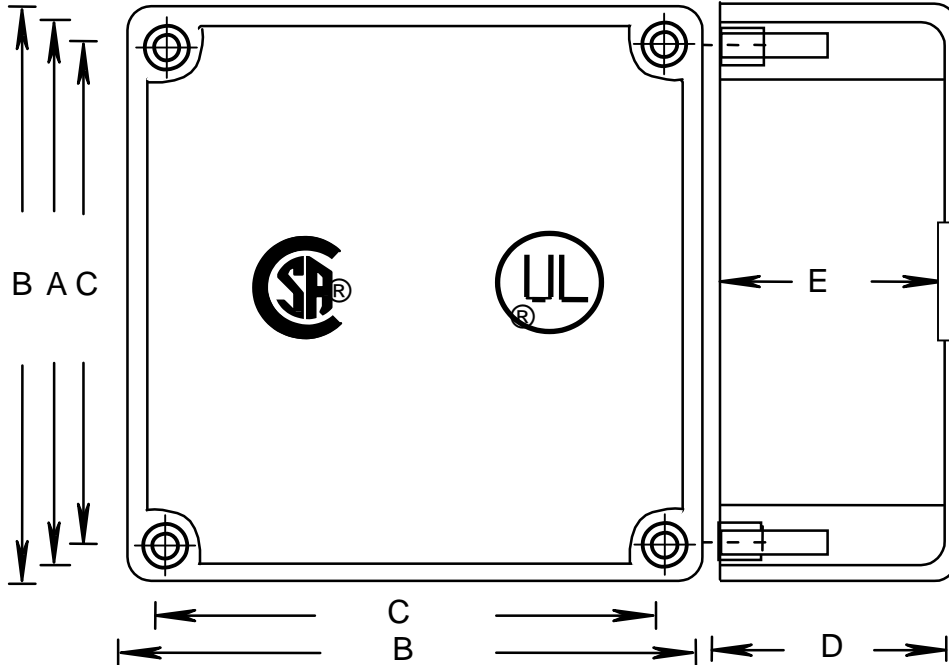


RIGID PVC CONDUIT FITTINGS

ISSUE DATE:
DATE D'EMISSION: 2004 07 15

JB552 JUNCTION BOXES

SUPERCEDES:
REPLACE: 2002 01 15



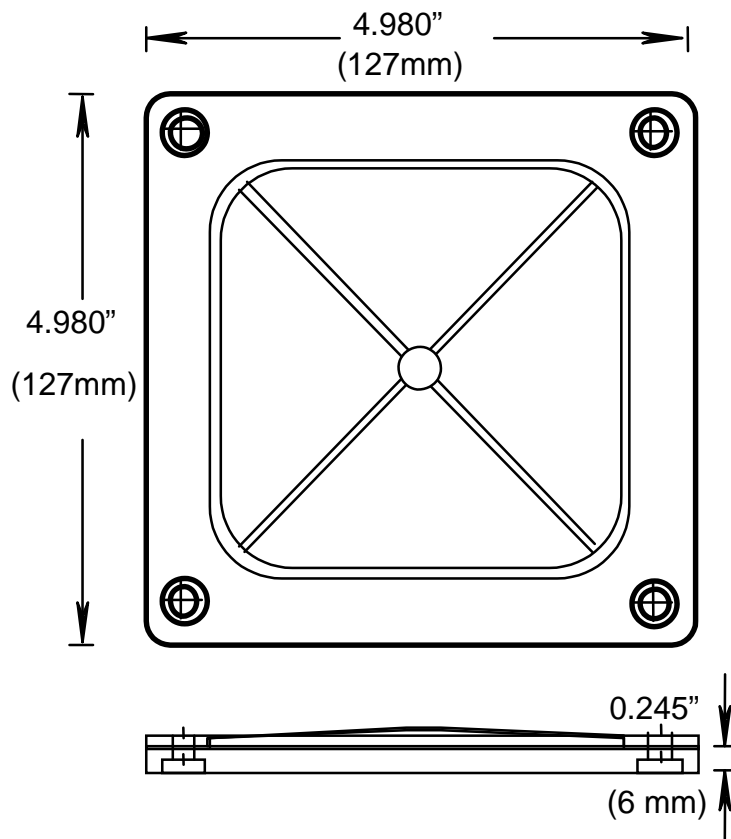
PRODUCT CODE	PART NUMBER	NOMINAL SIZE		A		B		C	
		(in)	(mm)	(in)	(mm)	(in)	(mm)	(in)	(mm)
076500	J552 STAHLIN	5	129	4.680	119	5.000	127	4.485	114
076261	AMJB 552 ALLIED	5	129	4.680	119	5.000	127	4.485	114
077670	JB 552	5	129	4.680	119	5.000	127	4.485	114
077695	JB 552 W/O SCREW	5	129	4.680	119	5.000	127	4.485	114

PRODUCT CODE	PART NUMBER	NOMINAL SIZE		D		E	
		(in)	(mm)	(in)	(mm)	(in)	(mm)
076500	J552 STAHLIN	5	129	2.160	55	2.000	51
076261	AMJB 552 ALLIED	5	129	2.160	55	2.000	51
077670	JB 552	5	129	2.160	55	2.000	51
077695	JB 552 W/O SCREW	5	129	2.160	55	2.000	51

PRODUCT CODE	PART NUMBER	NOMINAL SIZE		GASKET CODE	INSERT CODE	SCREW CODE	VOLUME	
		(in)	(mm)				(cu. in)	(cu. cm)
076500	J552 STAHLIN	5	129	097733	072538	072522	40.0	656.0
076261	AMJB 552 ALLIED	5	129	097733	072538	072522	40.0	656.0
077670	JB 552	5	129	097733	072538	072522	40.0	656.0
077670	JB 552	5	129	097733	072538	072522	40.0	656.0
077695	JB 552 W/O SCREW	5	129	097733	072538		40.0	656.0

Molded with Mounting Feet

COVER DIMENSIONS



MOLD-IN MOUNTING FEET

