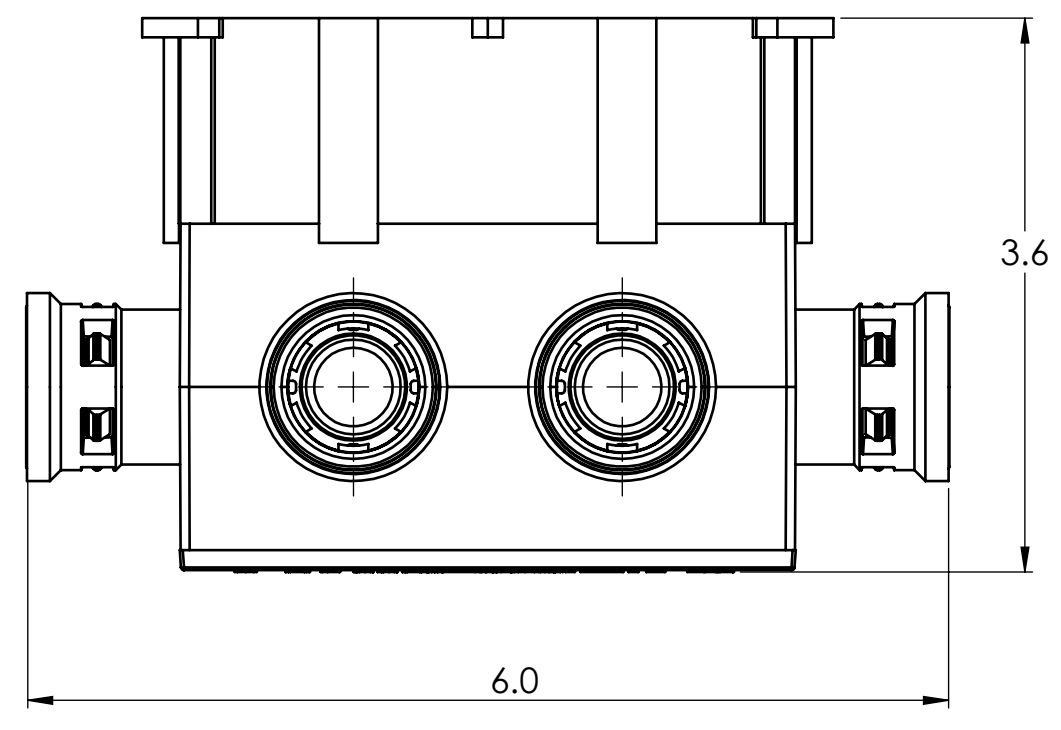
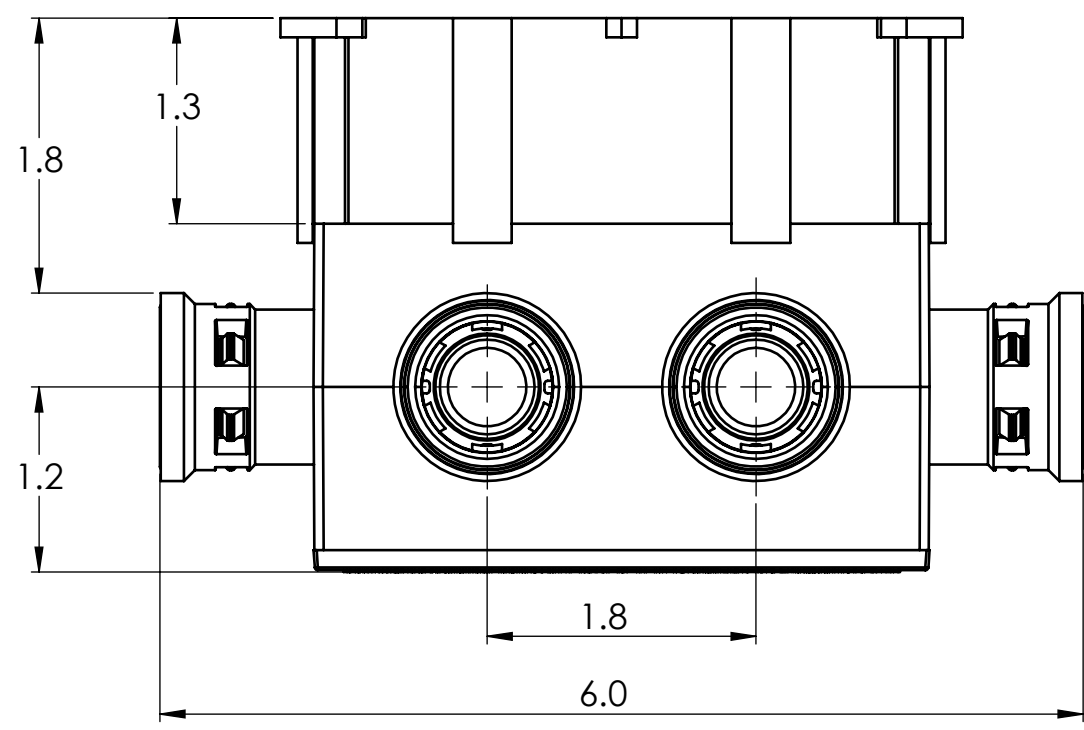
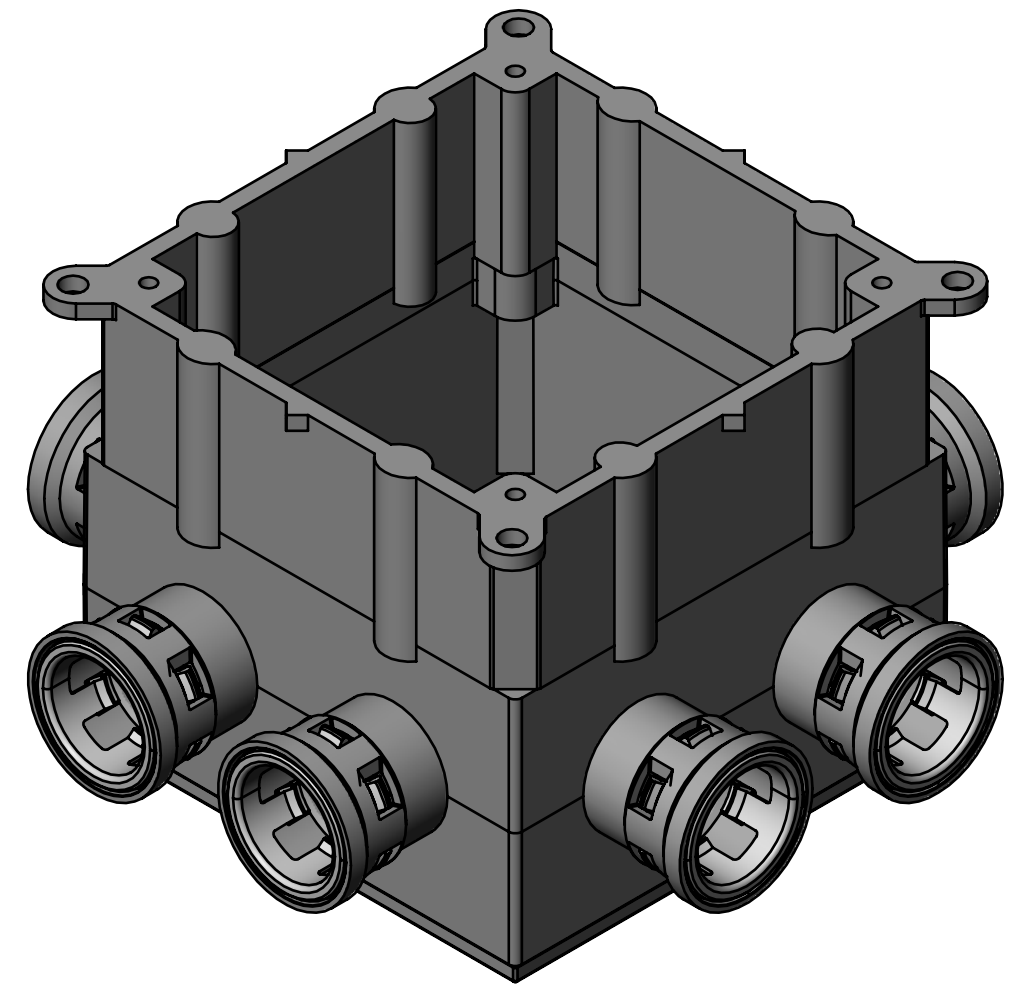


8 x 1/2" Retainer Hub



PLASTIC/RUBBER SIZES

SIZES SHOWN ARE FOR REFERENCE 3D MODEL IS TO BE USED FOR MANUFACTURING / VERIFICATION		ALL CHANGES MUST BE APPROVED AND RECORDED BY ENGINEERING	
UNIT: INCHES UNLESS DUAL DIMENSION: INCH [METRIC]	PROJECTION 	IPEX Technologies Inc.	
THIS DRAWING AND ALL TECHNICAL INFORMATION APPEARING HEREON ARE PROPERTY OF IPEX TECHNOLOGIES INC. AND MUST BE KEPT IN CONFIDENCE BY THE RECIPIENT. THE SAME MAY NOT BE USED OR REPRODUCED EITHER IN WHOLE OR IN PART WITHOUT THE EXPRESS CONSENT OF IPEX TECHNOLOGIES INC.		TITLE SSBH10 PVC SQUARE SLAB BOX CDN KWIKON	
PAPER SIZE ANSI B	NAME	DATE	SCALE: NA
PART APPEARANCE:	COLOR:	DRAWN	02/09/2020
SURFACE FINISHES: (UNLESS OTHERWISE NOTED)		APP'D	MAT'L:
INSIDE:	DIMENSIONS ARE IN INCHES TOLERANCES (UNLESS OTHERWISE SPECIFIED) FRACTIONAL ± 1/32 X.X ± 0.015 X.XX ± 0.010 X.XXX ± 0.005 ANGULAR ± 1.0	CRTICAL DIMENSIONS ARE SHOWN AS **DIM**	PRODUCT CODE: 089452
OUTSIDE:	REFERENCE DIMENSIONS ARE SHOWN WITH REF. NOTE	PROJECT No.	
OTHER:	FILENAME:	FOLDER:	