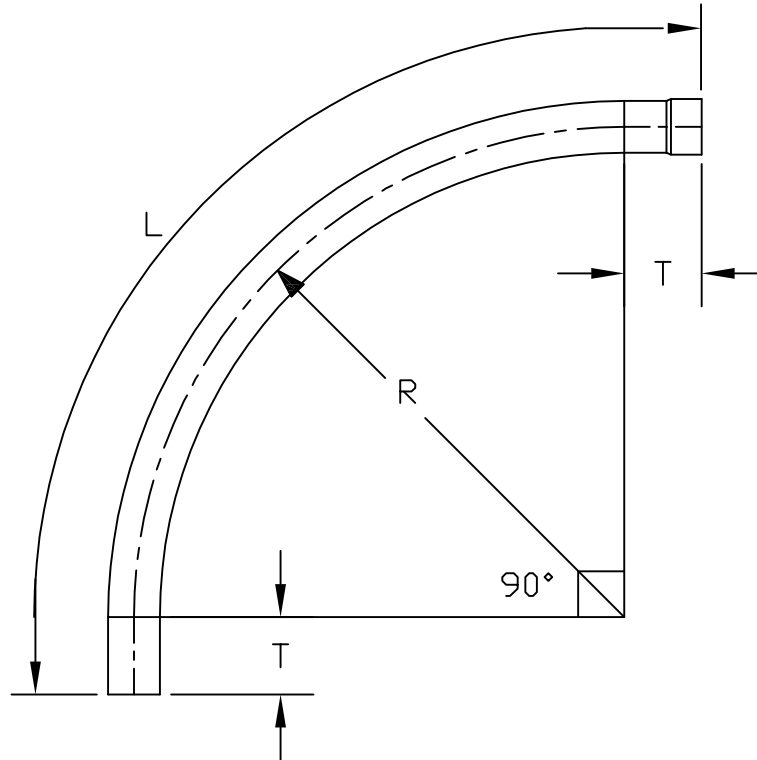


RIGID PVC CONDUIT  
 CONDUIT RIGIDE EN PVC

90° SCH40 BEND BE / COUDE 90° MXH

ISSUE DATE: 2009 03 24  
 DATE D'EMISSION:

SUPERSEDES: 2002 12 06  
 REMPLACE:



| CODE   | Size<br>Grosueur | L<br>Ref.          | R<br>Ref.        | T<br>Ref.       |
|--------|------------------|--------------------|------------------|-----------------|
| 069091 | 129mm<br>(5.0")  | 1149mm<br>(45.25") | 610mm<br>(24.0") | 152mm<br>(6.0") |
| 069092 | 155mm<br>(6.0")  | 1524mm<br>(60.0")  | 762mm<br>(30.0") | 152mm<br>(6.0") |

L-LENGTH OF PIPE BEFORE BENDING / LONGUEUR DU TUYAU AVANT D'ETRE COURBE