

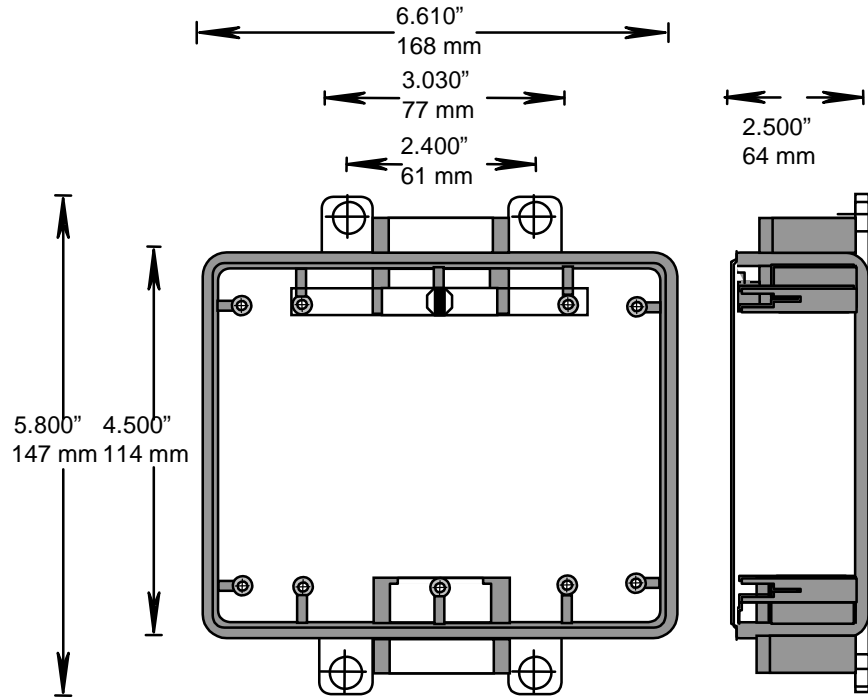
RIGID PVC CONDUIT FITTINGS

ISSUE DATE:
DATE D'EMISSION: 2004 10 30

FSC3-101520 TRIPLE GANG BOXES, 077438

SUPERCEDES:
REPLACE: 2003 01 15

3



Wall thickness for all boxes=0.188 in. (or 4.8mm)

INSERTS AND GROUND CLIP



DESCRIPTION	PART NUMBER	SIZE	QUANTITY
REGULAR INSERT	072537	6-32	7
COLLAR INSERT	072536	6-32	3
SCREW, HEXHEAD COMB	072511	10-32 X 5/16	1
REDUCER BUSHINGS	097554	3/4 X 1/2	2
REDUCER BUSHINGS	097979	1X 3/4	2
TRIPLE GANG GROUND CLIP	172258	3	1

