

TYPES K-AG1

ALUMINUM NEUTRAL BARS

These aluminum neutral bars are dual rated for copper and aluminum conductors. Manufactured from high strength 6061-T6 aluminum alloy, they are electro tin plated to provide low contact resistance and protection against corrosion.

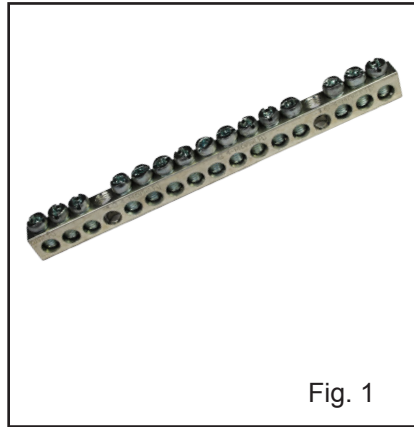


Fig. 1

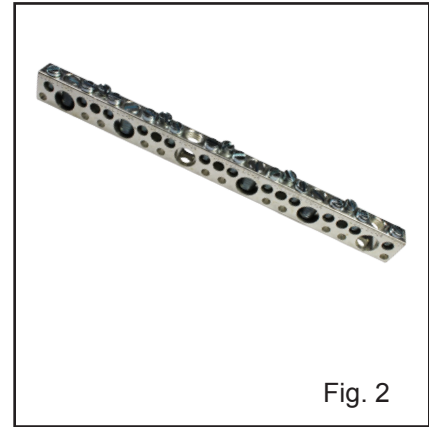


Fig. 2

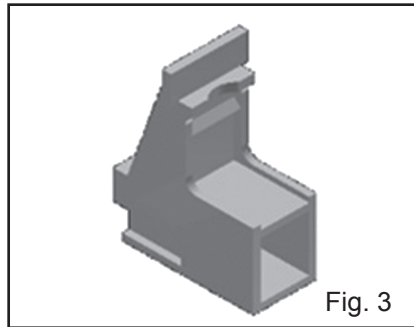
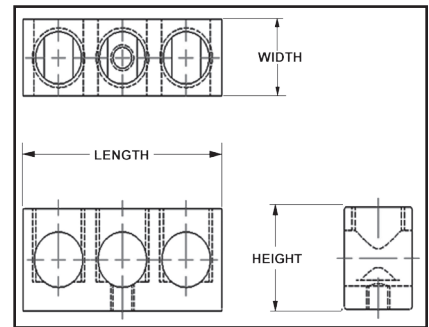


Fig. 3



Catalog Number	Fig.	Wire Range Aluminum or Copper	Total Number of Holes	Total Number of Circuits	Mount Hole Locations	Height	Width	Length
K2P4CAG1	1	14 - 4	3	2	2	0.44	0.31	1.09
K3P4CAG1	1	14 - 4	5	3	1, 5	0.44	0.31	1.67
K9P4CAG1	1	14 - 4	11	9	4, 8	0.44	0.31	3.53
K13P4CAG1	1	14 - 4	15	13	6, 12	0.44	0.31	4.77
K15P4CAG1	1	14 - 4	17	15	6, 14	0.44	0.31	6.01
K5P6C2P1/0CAG1 ♦	2	14 - 1/0 14 - 6	7	(5) 14 - 6 (2) 14 - 1/0	-	0.62	0.38	2.26
K12P6C3P1/0CAG1 ♦	2	14 - 1/0 14 - 6	15	(12) 14 - 6 (3) 14 - 1/0	-	0.62	0.38	4.34
K14P6C5P1/0CAG1 ♦	2	14 - 1/0 14 - 6	19	(14) 14 - 6 (5) 14 - 1/0	-	0.62	0.38	5.77
K16P6C5P1/0CAG1 ♦	2	14 - 1/0 14 - 6	23	(17) 14 - 6 (4) 14 - 1/0	-	0.62	0.38	6.97
KAG1MTGBRKT ♦	3	-	-	-	-	-	-	-

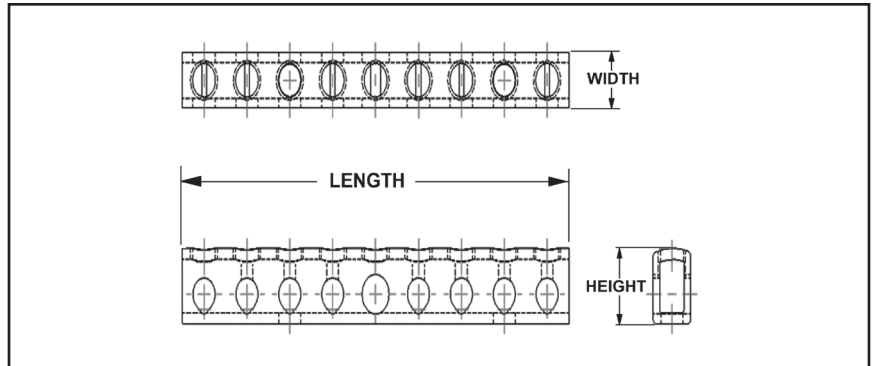
♦ (2) KAG1MTGBRKT are necessary to mount these items

Blue highlighted items are industry standard and most frequently ordered.

TYPES K-G1

COPPER NEUTRAL BARS

These copper neutral bars are manufactured from high strength pure electrolytic copper to insure maximum strength and conductivity. Suitable for Copper Conductor only. UL Recognized for 600 Volts.



Catalog Number	Number of Outlets	Conductor Range		Mounting Holes	Dimensions	Width	Length
		Line	Circuit				
K6P4CG1	6	14 - 4	6 - 14	0.20	0.23	0.34	3.56
K8P4CG1	8	14 - 4	6 - 14	0.20	0.47	0.34	4.37
K10P4CG1	10	14 - 4	6 - 14	0.20	0.75	0.34	5.15
K12P4CG1	12	14 - 4	6 - 14	0.20	0.75	0.34	5.94
K14P4CG1	14	14 - 4	6 - 14	0.20	0.75	0.34	6.75
K174P4CG1	174	14 - 4	6 - 14	none	0.47	0.34	69.00

Blue highlighted items are industry standard and most frequently ordered.