

LTR-S Specification Series

1.5W / 3W COB (Chip On Board) Wet Location LED Tape Specification Sheet

GM Lighting®

Project Name	Type
--------------	------

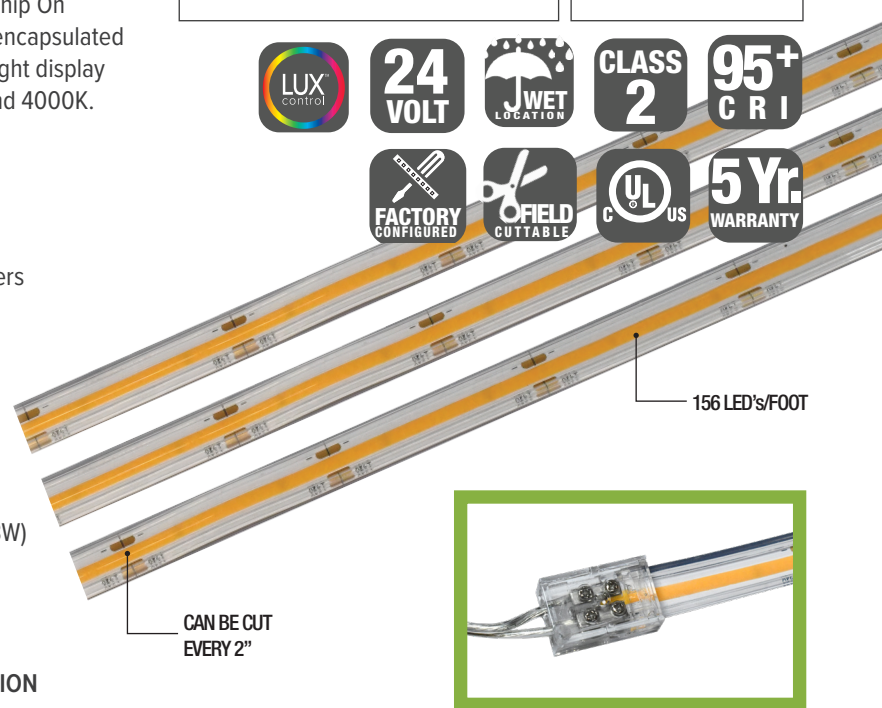
Catalog #	Date
-----------	------

PRODUCT OVERVIEW

The newest addition in the flexible LED tape is the COBWP (Chip On Board - Wet location) technology. Tightly spaced diodes are encapsulated into a single phosphor strip that provides a seamless linear light display with no LED pixelation. Available in 2700K, 3000K, 3500K and 4000K.

FEATURES

- 24VDC
- 2700K, 3000K, 3500K and 4000K color temps
- Remote control with GM's LUXcontrol™ App and controllers (Requires NEMA box)
- Suitable for wet locations, IP65
- 156 LEDs per foot
- Cuttable every 2"
- 180° viewing angle
- Dimmable (ELV or MLV or LUXcontrol)
- 3M adhesive back
- Maximum run on a given lead 32'-8" (1.5W) and 16'-4" (3W)



SPECIFICATIONS

ELECTRICAL

- 24V
- 1.5 / 3 watts per foot

OPTICS

- 95+ CRI

OPERATING TEMP

- -4°F to 122°F

CERTIFICATION

- UL
- IP65
- Title 24 compliant when used with specific drivers. Consult factory.

WARRANTY

- 5-year warranty when paired with GM power supply.

ORDERING INFORMATION

Example: LTR-S-COBWP-24V-3.0W-27K-XX-XX

Model	Series	Type	Location	Voltage	Wattage/ft	Color Temp	Length
LTR	S	COB	WP	24V	1.5W	27K	XX
					3.0W	30K	32
						35K	
						40K	

NOTE: Compatible with LED-CHL-XD series channels.
Reel Length: 32 = 32'-8"; Custom cuts available, consult factory

ACCESSORIES

Model	Description
LTR-P-WP-TTC-3	3" Tape to tape connector, UV sealed
LTR-P-WP-TTC-6	6" Tape to tape connector, UV sealed
LTR-P-WP-TTC-12	12" Tape to tape connector, UV sealed
LTR-P-WP-TTC-24	24" Tape to tape connector, UV sealed
LTR-P-WP-TPC-12	12 ft. power lead

CONTROLLERS

Model	Description
SHWC	LUXcontrol Smart 2.4 GHz WiFi Controller, Standard 12V/24V Low Voltage, 1-Channel / 2-Wire
SHWC-RGBW-RPT	LUXcontrol Universal Smart Power Repeater

NOTE: When using SHWC Smart Controller, use LineDrive Non-Dimmable Electronic power supply only. Max 96W.

LTR-S Specification Series

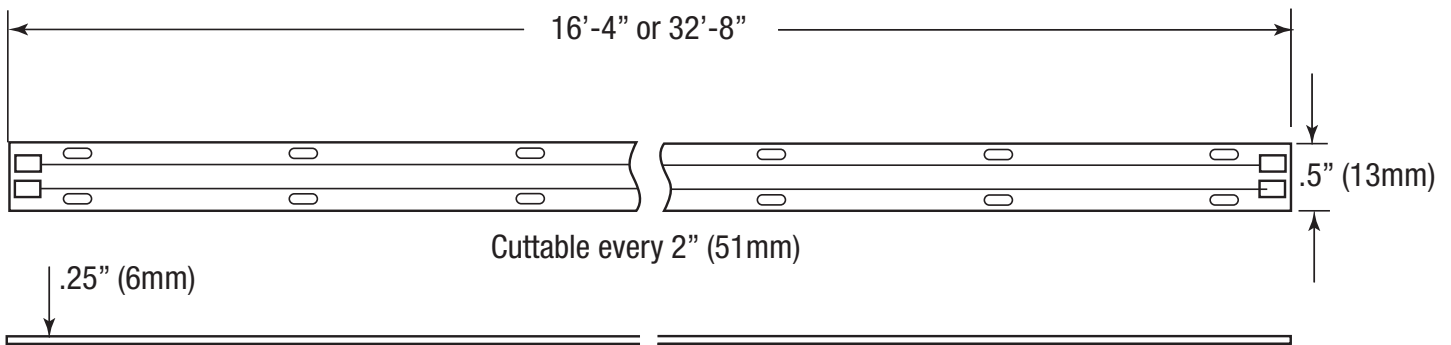
1.5W / 3W COB (Chip On Board) Wet Location LED Tape Specification Sheet



Catalog No.	Length	Lumens	CRI	Color Temp.	Max. Run
LTR-S-COBWP-24V-1.5W-27K-XX-XX/-32	32'-8" or, CUSTOM CUT FEET-INCHES (CUTS MADE IN 2" INCREMENTS)	127	95+	2700K	32'-8"
LTR-S-COBWP-24V-1.5W-30K-XX-XX/-32		127	95+	3000K	32'-8"
LTR-S-COBWP-24V-1.5W-35K-XX-XX/-32		127	95+	3500K	32'-8"
LTR-S-COBWP-24V-1.5W-40K-XX-XX/-32		142	95+	4000K	32'-8"
LTR-S-COBWP-24V-3.0W-27K-XX-XX/-32		255	95+	2700K	16'-4"
LTR-S-COBWP-24V-3.0W-30K-XX-XX/-32		265	95+	3000K	16'-4"
LTR-S-COBWP-24V-3.0W-35K-XX-XX/-32		275	95+	3500K	16'-4"
LTR-S-COBWP-24V-3.0W-40K-XX-XX/-32		285	95+	4000K	16'-4"

Includes 48" lead. Custom leads available - consult factory.
Kelvin temperature (color) ±100K.

DIMENSIONS

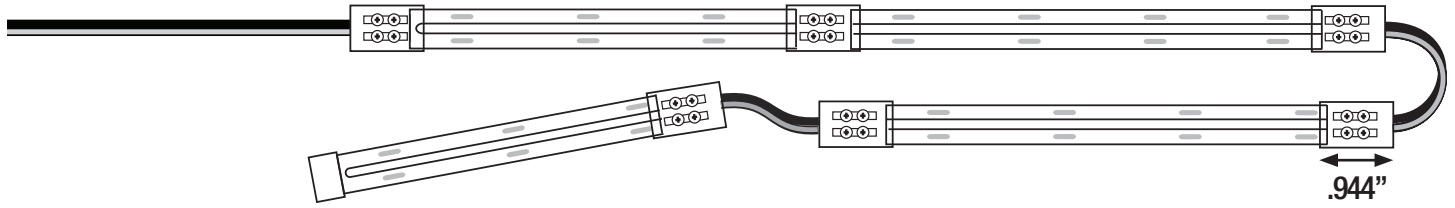


LTR-S Specification Series

1.5W / 3W COB (Chip On Board) Wet Location LED Tape Specification Sheet



DIMENSIONS



Connectors

