

12/24VDC ELECTRONIC DIMMABLE CONSTANT VOLTAGE POWER SUPPLY Specification Sheet



Project Name	Type
Catalog #	Date

PRODUCT OVERVIEW

A 12VDC or 24VDC constant voltage, Phase / Triac dimmable 15W, 24W, 60W or 90W power supply that is especially suitable for GM Lighting LED Slim Pucks, LED Slim Puck Mini, along with tape and lightbars.



FEATURES

- 12VDC or 24VDC (PSD90-24) constant voltage output
- 120V input
- High efficiency: up to 80%
- Phase/Triac dimmable
- Protection: short circuit / over voltage
- Integrated junction box for hard wire installation
- Cooling by air convection
- Flicker-free 20% - 100% dimming
- Damp location - IP20



SPECIFICATIONS

ELECTRICAL

- 12V/24VDC
- 120V input only
- Load: min. 20% to max. 85% for optimal performance

OPERATING TEMP

- -4 to 104°F (-20 to +40°C)

CERTIFICATION

- ETL compliant
- IP20
- Class 2

WARRANTY

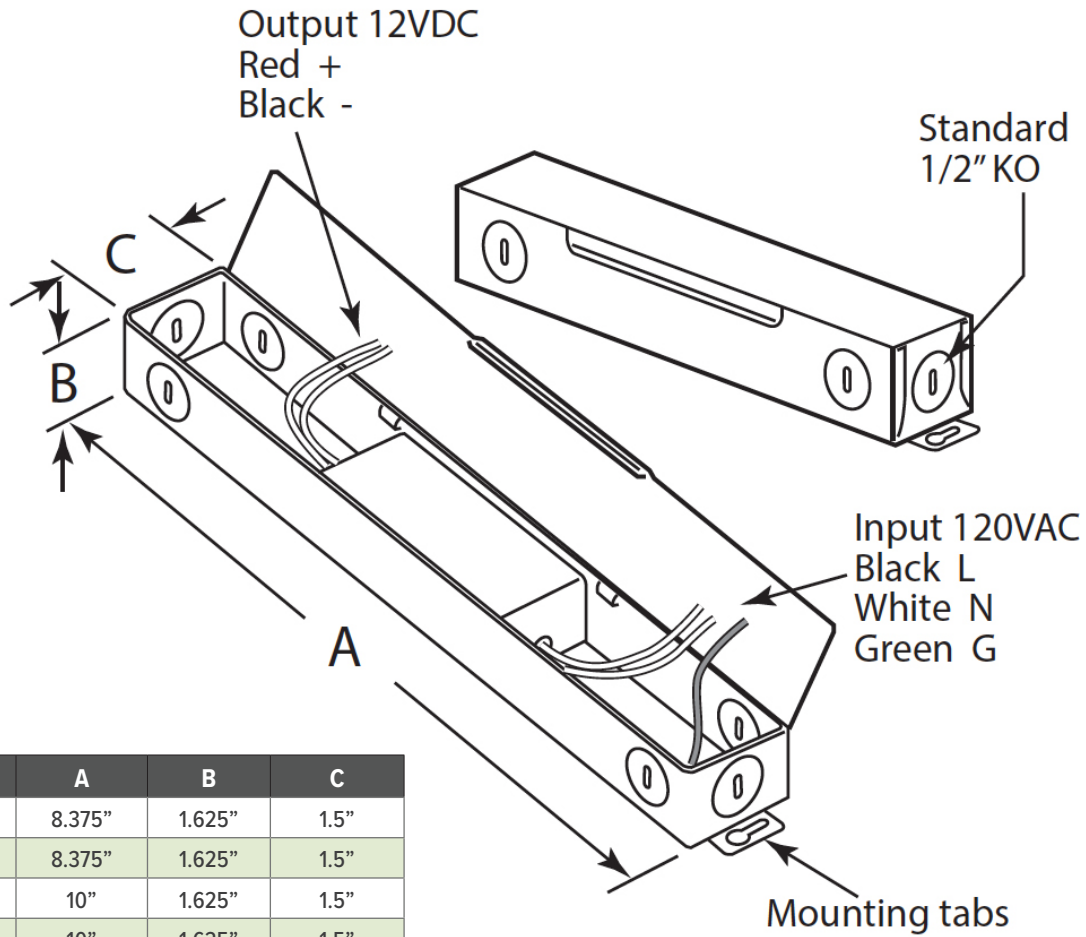
- 5-year warranty

ORDERING INFORMATION

Catalog No.	Wattage	Input	Output	Weight
PSD15-12	15W	120VAC	12V	11.1 oz
PSD15-24	15W	120VAC	24V	11.1 oz
PSD24-12	24W	120VAC	12V	13.8 oz
PSD24-24	24W	120VAC	24V	13.8 oz
PSD60-12	60W	120VAC	12V	16.4 oz
PSD60-24	60W	120VAC	24V	16.4 oz
PSD90-24	90W	120VAC	24V	16.25 oz

12/24VDC ELECTRONIC DIMMABLE CONSTANT VOLTAGE POWER SUPPLY Specification Sheet

DIMENSIONS



Catalog No.	A	B	C
PSD15-12	8.375"	1.625"	1.5"
PSD15-24	8.375"	1.625"	1.5"
PSD24-12	10"	1.625"	1.5"
PSD24-24	10"	1.625"	1.5"
PSD60-12	7.125"	3.375"	1.375"
PSD60-24	7.125"	3.375"	1.375"
PSD90-24	7.125"	3.375"	1.375"

COMPATIBLE DIMMERS

Models
DIVA-CL
LUTRON-MAESTRO-MCL-153
LUTRON DIVA 303P
LUTRON CASETA-PD
LEVITON DECORA
LUTRON SKYLARK-CONTOUR-CL
LUTRON MAESTRO MA-PRO