



INSTALLATION INSTRUCTIONS

Model IG1300

Type 2 Surge Protection Device (SPD)

IMPORTANT SAFETY INSTRUCTIONS • SAVE THESE INSTRUCTIONS

⚠ WARNING *Risk of Fire or Electric Shock*

- For Indoor /Outdoor use.
- Disconnect power at the circuit breaker(s) or disconnect switch(es) before installing or servicing.
- Installation and/or wiring must be in accordance with national and local electrical code requirements.
- Installation and service to be performed by a qualified licensed technician or electrician.
- Suitable for use on a circuit capable of delivering not more than 50,000 rms symmetrical amperes.
- For outdoor locations or wet locations (rain-tight), conduit hubs that comply with requirements of the UL514B (standard for fitting conduit and outlet boxes) are to be used.
- KEEP DOOR CLOSED AT ALL TIMES when not servicing.

NOTICE

- This unit contains no serviceable parts.
- This product does not protect against direct lightning strikes.

AC voltage surge protection wiring:

1. Determining location of the IG1300:
 - Wires for SPD are located under wire channel cover. All AC power wiring must be routed through a knockout located behind the wire channel cover.
 - For convenience of wiring the telephone and coax modules may be reversed. See Figures 2 and 3 for configurations.
 - Ensure conductor lengths are as short and straight as possible for best performance. Do not coil excess wire. The SPD functions best if all bends in wires are rounded, ideally to a 4" radius. Hard 90 degree bend will reduce efficiency. Cut all leads to the correct length. Do not coil excess leads.
 - Install appropriate weatherproof fittings if the unit is to be mounted outside.
2. Connect the green wire from the SPD to the ground bus bar within the panel as shown in figure 1.
3. Connect the white wire from the SPD to the Neutral bus bar within the panel as shown in figure 1.
4. Connect the two black wires to a circuit breaker as shown in figure 1. For best performance from SPD the maximum recommended circuit breaker size of 240V 20A 1 or 2 pole should be used.
5. Ensure all mounting and electrical connections are correct and securely fastened.
6. Once energized the green indicator LED will be ON and visible through the cover of the SPD. Do not energize until entire unit is properly installed.

Telephone surge protection wiring:

1. Select the appropriate knockout to route and connect the telephone wires.
 - DO NOT route the telephone or coax cables through the same knockout or conduit as the AC power lines.
2. Route and connect the telephone LINE connections to the "IN" terminal block of the telephone surge protector. (LINE connections are the wires coming from the phone company).
3. Route and connect the home telephone lines to the OUT terminal block of the telephone surge protector. It is very important to ensure that the wire pairs are in line with the IN terminal connections. See Figures 2 or 3.
4. Once all wiring is complete make sure all outgoing and incoming calls are working properly. If not, follow all steps above to ensure all wiring is correct.

Coaxial cable surge protection wiring:

1. Select the appropriate knockout to route and connect the coax cables.
 - DO NOT route the telephone or coax cables through the same knockout or conduit as the AC power lines.
2. Route the incoming coaxial cable line(s) through a knockout of the IG1300 unit. See figure 2 or 3.
3. Securely fasten the end of the coaxial cable to the coaxial cable protection module. (Polarity is not needed for the coax protection).
4. Repeat these steps for the outgoing coaxial cable(s) to the television.

Maintenance:

- AC Voltage SPD:
 - Periodically check SPD to ensure green indicator LED is ON. If green LED is OFF protection has diminished and the SPD should be replaced.
- Telephone surge protector:
 - If the protected telephones are working then the surge protection device is in tact and functioning properly.
 - If the protected telephone lines are not working replace the telephone protection module immediately.
 - Replacement telephone module: IG2T.
- Coaxial cable protector:
 - If the protected cable line is working then the surge protection device is in tact and functioning properly.
 - If the protected cable line is not working replace the coaxial protection module immediately.
 - Replacement coax module part number: IG1C.

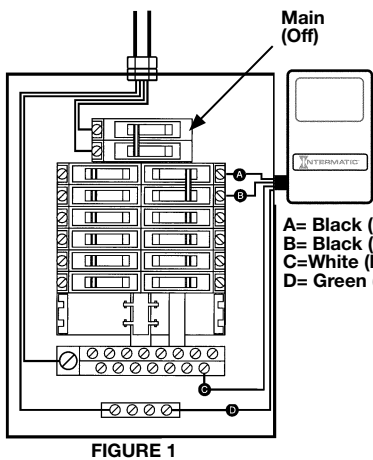


FIGURE 1

A= Black (Line, right half)
 B= Black (Line, left half)
 C= White (Neutral)
 D= Green (Ground)



FIGURE 2

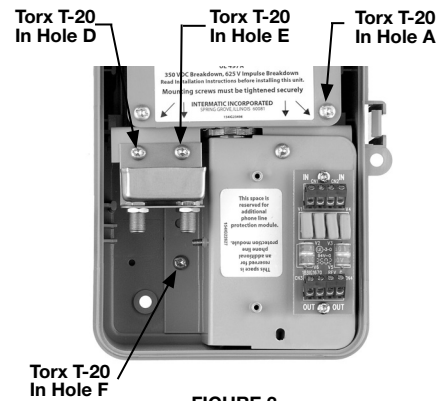


FIGURE 3

FIVE YEAR LIMITED PRODUCT and CONNECTED EQUIPMENT WARRANTY for INTERMATIC SURGE PROTECTIVE DEVICES

KEEP THIS PAGE FOR YOUR OWN RECORDS.

(1) What is Covered By This Limited Warranty

(A) Replacement of Product

Intermatic Incorporated ("Intermatic") warrants to the original purchaser only, InterMatic IG1300 Surge Protective Devices (each a "Product") shall be free from defects in material or workmanship for a period of five years (60 months) from date of purchase or 66 months from date of manufacture. If the purchaser discovers a defect in material or workmanship, the purchaser must promptly submit a warranty claim. Upon a determination by Intermatic that the Product is defective, Intermatic, shall correct any defect in material or workmanship by replacing the Defective Product. Any repair, including both parts and labor, shall be at Intermatic's expense. The foregoing remedy is the purchaser's exclusive remedy for a breach of warranty.

The product must be installed in the appropriate application in complete accordance with the installation instructions. All building wiring and other connections to the Product must conform to all applicable national, state, and local electrical codes; the Product must not be opened, modified, exposed to extreme heat or cold, submerged or subjected to abnormal use or service. All products must be used in accordance with the instructions provided with the Product and the purchaser shall be solely responsible for selecting a Product model with specifications appropriate for the equipment to be protected. Intermatic shall determine, in its sole discretion, whether any Product returned by a purchaser has been used in accordance with its instructions, is an appropriate model for the purchaser's use thereof, and whether the Product is defective.

(B) Repair or Reimbursement for Damage to Properly Connected Equipment

In addition to the above described Product warranty, Intermatic warrants to the original purchaser of the Product for a period of five years from the date of purchase, the following: In the event that any major household connected electrical equipment (as defined below) is damaged (the "Damaged Equipment") as a direct result of the failure of a Product to protect the Damaged Equipment from Power Transients (as hereinafter defined) and all other conditions are satisfied, Intermatic's option, either repair the Damaged Equipment or reimburse the purchaser of the defective product. The limit of Intermatic's liability under this warranty shall be the Fair Market Value (as hereinafter defined) of the Damaged Equipment or the deductible amount of the original purchaser's homeowners insurance policy, whichever is less. In no event shall Intermatic incur repair costs or reimburse the purchaser for an amount in excess of Ten Thousand Dollars (\$10,000.00).

As used herein, "major household connected electrical equipment" shall mean major household appliances and electronic devices, including refrigerators, freezers, air conditioners, stoves and ovens, microwave ovens, clothes washers and/or dryers, dishwashers, audio and stereo equipment or components, video equipment, televisions and computers. Major household connected electrical equipment that normally requires an additional connection such as phone/modem connection, antenna or cable connection or other temporary or permanent connection must be properly connected to an Intermatic listed Surge Protection Device that incorporated surge protection for both AC (power) and all other input connections. The Fair Market Value of the Damaged Equipment shall be the current value of the equipment specified in the most recent version of the Orion Blue Book (printed or on-line edition) by Orion Research Corporation, or a comparable publication.

Promptly upon discovering any Damaged Equipment, the purchaser must submit a claim pursuant to the claim procedure provided below. In no event may a purchaser initiate a claim later than (30) days after the Protected Equipment is damaged. In order to receive the Connected Equipment protection provided in this Section, all of the following conditions must be satisfied with respect to the use of the Product: (a) the Product must be properly installed; (b) all building wiring and other connections to the Product and the Damaged Equipment must conform to all applicable federal, state and local electrical codes; (c) no ground wires or ground connections in addition to the AC power source can be used in connection with the Product or the Damaged Equipment; (d) Equipment with additional wiring or data/cable connections (as defined above) must be properly connected to a Listed Surge Protection Device (as noted above); and (e) the Product(s) and Protected Equipment must not be opened, modified, exposed to extreme heat or cold, submerged or subjected to abnormal use or service.

For purposes of this Limited Warranty, a Power Transient shall mean over-voltage resulting from momentary voltage spikes or surges on an AC power line of magnitude that the Product, according to its specifications, is designed to stop before such spikes or surges affect downstream equipment.

(2) What is Not Covered By This Warranty

Intermatic does not warrant (a) defects in the Product or damage to any equipment caused by the failure to properly install the Product, (b) damage caused by use of the Product for purposes other than those for which it was designed, (c) damage caused by disaster such as fire, flood and wind, (d) damage caused by unauthorized attachments or modification of the Product, (e) damage to the Product occurring during the shipment, or (f) electrical disturbances exceeding published product specifications, (g) damage to the Product caused by any other abuse or misuse by the purchaser, (h) damage due to direct or vicinity lightning strikes, this warranty applies to residential and commercial applications. This device is not intended to provide protection during Utility voltage swells or loss of neutral conditions which are by definition not transient events and are not covered by this warranty.

(3) Disclaimer of Warranty

THE FOREGOING WARRANTIES ARE IN LIEU OF ALL OTHER EXPRESSED WARRANTIES. TO THE EXTENT ALLOWED BY LAW, ANY IMPLIED WARRANTIES OF MERCHANTABILITY OR FITNESS FOR A PARTICULAR PURPOSE ARE LIMITED IN DURATION OF THIS LIMITED WARRANTY.

(4) Limitation of Remedies

IN NO CASE SHALL INTERMATIC BE LIABLE FOR ANY SPECIAL, INCIDENTAL, OR CONSEQUENTIAL DAMAGES BASED UPON BREACH OF WARRANTY, BREACH OF CONTRACT, NEGLIGENCE, STRICT TORT, OR ANY OTHER LEGAL THEORY. SUCH EXCLUDED DAMAGES INCLUDE, BUT ARE NOT LIMITED TO, DAMAGE TO SOFTWARE, LOSS OF DATA, LOSS OF PROFITS, LOSS OF SAVINGS OR REVENUE, LOSS OF USE OF THE PRODUCT OR ANY ASSOCIATED EQUIPMENT, COST OF CAPITAL, COST OF ANY SUBSTITUTE EQUIPMENT, FACILITIES OR SERVICES, DOWNTIME, THE CLAIMS OF THIRD PARTIES INCLUDING CUSTOMERS, DAMAGE TO PROPERTY AND PERSONAL INJURY. SOME STATES DO NOT ALLOW LIMITS ON WARRANTIES OR ON REMEDIES FOR BREACH IN CERTAIN TRANSACTIONS, IN SUCH STATES, THE LIMITS IN THIS PARAGRAPH AND IN PARAGRAPH (3) MAY NOT APPLY.

(5) Time Limit for Bringing Suit

No action arising out of any claimed breach of warranty may be brought more than one year after the cause of action has occurred.

(6) No Other Warranties

Unless modified in writing signed by both parties, this agreement is understood to be the complete and exclusive agreement between the parties, superseding all prior agreements, oral or written, and all other communications between the parties relating to the subject matter of this agreement. No employee of Intermatic or any other party is authorized to make any warranty in addition to those made in this agreement. This warranty is made by: Intermatic Incorporated/After Sales Service, 12429 Rojas Drive, EL Paso, TX 79928-5201/815-675-7000 <http://www.intermatic.com>

(7) Claim Procedure

In order to submit a claim for warranty service the original purchaser must:

- (A) Contact the Intermatic Insurance Claims Center at 1-800-270-7227 before having the damaged equipment repaired.
- (B) Request that an Incident Claim Report be written regarding the damage including descriptions and model identification (if available) of the equipment that was damaged. Record the Warranty Claim Number for future reference.
- (C) File a claim for the damaged equipment with your homeowners (or renter's) insurance company.
- (D) Send the INTERMATIC SURGE PROTECTIVE DEVICE to the Intermatic Warranty Coordinator at the address listed below. All returned devices must be plainly marked with the Intermatic Warranty Claim Number.
- (E) Send all of the following information in a single packet to the Intermatic Warranty Coordinator at the address listed below.
 - (1) Claimant's name, address and telephone number.
 - (2) Original dated sales receipt for the Intermatic Surge Protection Device.
 - (3) Original report for repair work.
 - (4) The damage report
 - (5) A copy of the claim report by the homeowners (renter's) insurance company or a copy of the policy showing the deductible amount exceeds the cost of the repair.
- (F) Address all communications and products returns to:

Intermatic Warranty Coordinator
 7777 Winn Road, Spring Grove, Illinois 60081-9698
 Attn: Surge Claim Processor

Product & Installation Information

Purchase date: _____ Installation date: _____ Installed by: _____
 Point of installation: _____ Breaker ratings if applicable: _____

⚠ AVERTISSEMENT *Risque d'incendie ou de choc électrique*

- Pour utilisation intérieure / extérieure.
- Débrancher l'alimentation au niveau des disjoncteurs ou des sectionneurs avant de procéder à l'installation ou à l'entretien.
- L'installation et/ou le câblage doivent être conformes aux exigences du code de l'électricité en vigueur.
- L'installation et l'entretien doivent être effectués par un technicien ou électricien qualifié.
- Convient à un circuit capable de fournir pas plus de 50 000 A efficaces symétriques.
- Pour les installations extérieures ou les endroits humides (à l'abri de la pluie), utiliser des embouts de raccordement de conduit conformes aux exigences d'UL514B (norme sur les raccords de conduits et boîtes à prises).
- GARDER LA PORTE FERMÉE EN PERMANENCE en-dehors des opérations d'entretien.

AVIS

- Cet appareil ne contient aucune pièce réparable.
- Ce produit ne protège pas contre les coups de foudre directs.

Installation de type 1 :

Le limiteur de surtension de type 1 s'installe généralement entre le secondaire du transformateur d'abonné et le côté secteur du tableau électrique. Cette installation n'est pas destinée à comporter une protection contre les surintensités vers le limiteur de surtension.

1. Choisir l'emplacement :

- Pour assurer un fonctionnement optimal, les conducteurs doivent être aussi courts et droits que possible. Ne pas enrouler l'excédent de fil. Le limiteur de surtension fonctionne mieux si tous les coudes des fils sont arrondis, de préférence d'un rayon de 10 cm (4 po). Les coudes à 90° serrés réduisent son efficacité. Couper tous les conducteurs à la bonne longueur. Ne pas enrouler les excédents de fil.
- Installer des raccords anti-intempéries adaptés si l'appareil doit être monté à l'extérieur.

2. Raccorder les fils comme indiqué à la Figure 1.

3. S'assurer que tous les raccordements et fixations sont correct et bien serrés. Lorsque l'appareil est sous tension, le voyant indicateur vert est ALLUMÉ et visible à travers le couvercle du limiteur de surtension.

Installation de type 2 :

Le limiteur de surtension de type 2 se raccorde généralement au côté demande du tableau électrique et doit normalement être installé avec une protection contre les surintensités en amont du limiteur de surtension.

1. Choisir l'emplacement :

- Pour assurer un fonctionnement optimal, les conducteurs doivent être aussi courts et droits que possible. Ne pas enrouler l'excédent de fil. Le limiteur de surtension fonctionne mieux si tous les coudes des fils sont arrondis, de préférence d'un rayon de 10 cm (4 po). Les coudes à 90° serrés réduisent son efficacité. Couper tous les conducteurs à la bonne longueur. Ne pas enrouler les excédents de fil.
- Installer des raccords anti-intempéries adaptés si l'appareil doit être monté à l'extérieur.
- IG1240FMP33 est également proposé pour des poses encastrées.

2. Raccorder le fil vert du limiteur de surtension à la barre de mise à la terre dans le tableau électrique.

- Il peut également être raccordé à la barre de neutre/terre si le tableau ne comporte pas de barre de mise à la terre séparée.

3. Raccorder le fil blanc du limiteur de surtension à la barre de neutre du tableau, comme sur la Figure 2.

4. Raccorder les deux fils noirs à un disjoncteur, comme sur la Figure 2. Pour assurer un fonctionnement optimal du limiteur de surtension, utiliser un disjoncteur bipolaire de 240 V et 20 A, le calibre maximal recommandé.

5. S'assurer que tous les raccordements de fixation et branchements électriques sont correct et bien serrés. Lorsque l'appareil est sous tension, le voyant indicateur vert est ALLUMÉ et visible à travers le couvercle du limiteur de surtension.

Entretien

• Limiteur de surtension c.a. :

- Contrôler régulièrement le limiteur de surtension pour vérifier que le voyant vert est ALLUMÉ. Si le voyant vert est ÉTEINT, la protection est réduite et le limiteur de surtension doit être changé immédiatement.

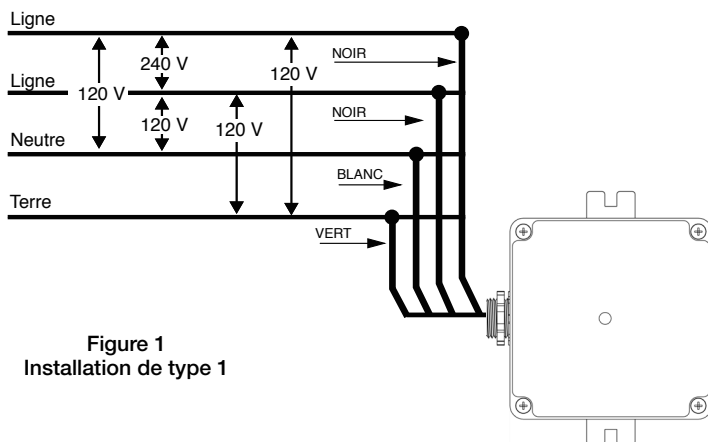


Figure 1
Installation de type 1

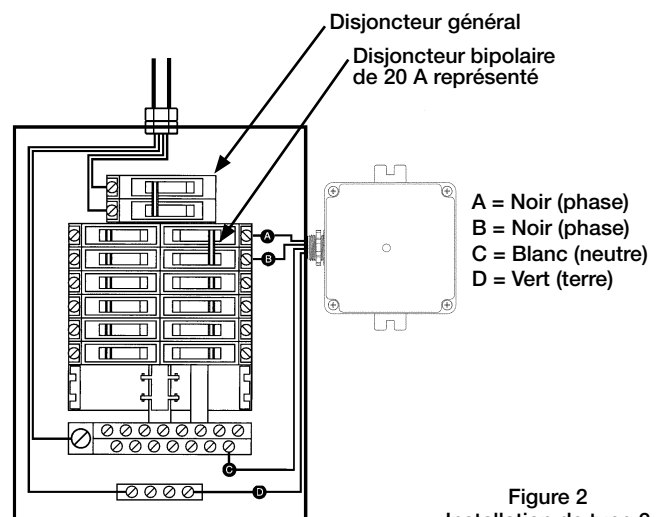


Figure 2
Installation de type 2

**GARANTIE LIMITÉE CINQ ANS SUR LE PRODUIT et
LE MATÉRIEL RACCORDÉ pour
LES LIMITEURS DE SURTENSION INTERMATIC**

CONSERVER CETTE PAGE.

(1) Ce qui est couvert par la présente garantie limitée

(A) Remplacement du produit

Intermatic Incorporated (« Intermatic ») garantit à l'acheteur initial seulement que le limiteur de surtension Intermatic IG1240RC3 (le « Produit ») est exempt de vices de matériau ou de fabrication pendant une durée de cinq ans (60 mois) à compter de la date d'achat ou de 66 mois à compter de la date de fabrication. S'il découvre un vice de matériau ou de fabrication, l'acheteur doit soumettre une réclamation en garantie dans les meilleurs délais. S'il est déterminé par Intermatic que le Produit est défectueux, Intermatic s'engage à corriger tout vice de matériau ou de fabrication en remplaçant le Produit défectueux. Toute réparation, notamment les pièces et la main d'œuvre, sera aux frais d'Intermatic. Le recours qui précède constitue le recours exclusif de l'acheteur en cas de rupture de garantie.

Le produit doit être installé aux fins prévues en totale conformité avec les instructions d'installation. Tout le câblage de l'immeuble et autres raccordements au Produit doivent être conformes à tous les codes de l'électricité en vigueur; le Produit ne devra pas être ouvert, modifié, exposé à une chaleur ou un froid extrême, immergé ni soumis à une utilisation ou un entretien hors de la normale. Tous les produits doivent être utilisés conformément aux instructions fournies avec le Produit et il incombe exclusivement à l'acheteur de sélectionner un modèle de Produit aux caractéristiques qui conviennent pour le matériel à protéger. Intermatic déterminera, à son entière discrétion, si un Produit renvoyé par un acheteur a été utilisé conformément à ses instructions, s'il s'agit d'un modèle adapté à son utilisation par l'acheteur et si le Produit est défectueux.

(B) Réparation ou remboursement pour les dommages au matériel correctement raccordé

En plus de la garantie décrite ci-dessus, Intermatic offre à l'acheteur initial du Produit, pendant une période de cinq ans à compter de la date d'achat, les garanties suivantes : Dans l'éventualité où tout gros matériel électroménager raccordé (tel que défini ci-dessous) est endommagé (le « Matériel endommagé ») sous l'effet direct du manquement d'un Produit à protéger le Matériel endommagé contre les Transitoires électriques (tels que définis ci-après) et où toutes les autres conditions sont satisfaites, au choix d'Intermatic, soit la réparation du Matériel endommagé, soit le remboursement à l'acheteur du produit défectueux. La responsabilité d'Intermatic aux termes de la garantie sera limitée à la Juste valeur marchande (telle que définie ci-après) du Matériel endommagé ou au montant de la franchise de la police d'assurance de propriétaire de l'acheteur initial, s'il est moins élevé. Intermatic ne saurait en aucun cas encourir des coûts de réparation ni rembourser l'acheteur d'un montant de plus de dix mille dollars (10 000 \$).

Dans les présentes, « gros matériel électroménager raccordé » fait référence aux importants appareils électroménagers et électroniques, notamment réfrigérateurs, congélateurs, climatiseurs, cuisinières et fours, fours à micro-onde, laveuses et/ou sècheuses, lave-vaisselles, équipements ou composants audio et stéréo, équipements vidéo, téléviseurs et ordinateurs. Le gros matériel électroménager raccordé qui nécessite normalement un raccordement supplémentaire tel qu'un branchement de téléphone/modem, un branchement d'antenne ou de câble ou autre raccordement provisoire ou permanent doit être raccordé comme il se doit à un limiteur de surtension homologué Intermatic qui comporte une protection à la fois pour l'alimentation électrique (secteur) et pour tous les autres raccordements d'entrée. La Juste valeur marchande du Matériel endommagé sera la valeur actuelle du matériel figurant dans la version la plus récente de l'Orion Blue Book (version imprimée ou en ligne) d'Orion Research Corporation ou d'une publication comparable.

Après la découverte d'un quelconque Matériel endommagé, l'acheteur doit soumettre dans les meilleurs délais une réclamation suivant la procédure de réclamation prévue ci-dessous. L'acheteur ne pourra en aucun cas entamer une réclamation plus de trente (30) jours après l'endommagement du Matériel protégé. Pour bénéficier de la protection du Matériel raccordé prévue dans la présente section, toutes les conditions suivantes devront être satisfaites concernant l'utilisation du Produit : (a) le Produit doit être correctement installé; (b) tout le câblage de l'immeuble et autres raccordements au Produit doivent être conformes à tous les codes de l'électricité en vigueur; (c) aucun fil de terre ni raccordement à la terre en plus de la source de courant secteur ne pourront être utilisés en rapport avec le Produit ou le Matériel endommagé; (d) tout matériel comportant des câblages ou raccordements de données/câble supplémentaires (tels que définis ci-dessus) devra être correctement raccordé à un limiteur de surtension homologué (tel qu'indiqué ci-dessus); et (e) le(s) Produit(s) et le Matériel protégé ne devront pas être ouverts, modifiés, exposés à la chaleur ou au froid intenses, immergés ni soumis à une utilisation ou un entretien hors de la normale.

Aux fins de la présente garantie limitée, un Transitoire électrique est une surtension résultant de pointes ou crêtes momentanées de tension sur la ligne d'alimentation secteur, d'une amplitude que le Produit, conformément à ses caractéristiques, est conçu pour arrêter avant que ces pointes ou crêtes aient un effet sur le matériel en aval.

(2) Ce qui n'est pas couvert par la présente garantie

Intermatic ne garantit pas (a) les défauts du Produit ou les dommages à tout matériel provoqués par une installation incorrecte du Produit, (b) les dommages provoqués par l'utilisation du Produit à des fins autres que celles auxquelles il a été conçu, (c) les dommages provoqués par une catastrophe telle qu'un incendie, une inondation et du vent, (d) les dommages provoqués par des accessoires ou modifications non autorisés sur le Produit, (e) les dommages au Produit occasionnés durant le transport, ou (f) par des perturbations électriques dépassant les caractéristiques publiées du produit, (g) les dommages au Produit provoqués par tout autre emploi abusif ou détourné par l'acheteur, (h) les dommages causés par un foudroiement direct ou proche. Cette garantie s'applique aux installations résidentielles et commerciales. Cet appareil n'est pas destiné à offrir une protection dans les situations de perte de neutre ou d'accroissement progressif de la tension du secteur, qui, par définition, ne sont pas des transitoires et ne sont pas couverts par la présente garantie.

(3) Avertissement concernant la garantie

LES GARANTIES PRÉCÉDENTES REMPLACENT TOUTE AUTRE GARANTIE EXPLICITE. DANS LA MESURE PERMISE PAR LA LOI, TOUTE GARANTIE IMPLICITE DE QUALITÉ MARCHANDE OU D'ADAPTATION À UN EMPLOI PARTICULIER SE LIMITE À LA DURÉE DE LA PRÉSENTE GARANTIE.

(4) Limite des recours

EN AUCUN CAS INTERMATIC NE SAURAIT ÊTRE RESPONSABLE DE QUELCONQUES DOMMAGES-INTÉRÊTS SPÉCIAUX, INDIRECTS OU CONSÉCUTIFS FONDÉS SUR UNE RUPTURE DE GARANTIE, UNE RUPTURE DE CONTRAT, UN DÉLIT AU SENS STRICT OU TOUTE AUTRE DOCTRINE. CES DOMMAGES-INTÉRÊTS EXCLUS COMPRENENT NOTAMMENT, MAIS SANS LIMITATION, LES DOMMAGES À DES LOGICIELS, PERTES DE DONNÉES, PERTE DE PROFITS, MANQUES À GAGNER OU À ÉCONOMISER, PERTE DE JOUISSANCE DU PRODUIT OU DE TOUT AUTRE MATÉRIEL ASSOCIÉ, COÛT DE CAPITAL, COÛT DE TOUT MATÉRIEL, INSTALLATIONS OU SERVICES DE SUBSTITUTION, TEMPS D'IMMOBILISATION, RÉCLAMATIONS PAR DES TIERS, Y COMPRIS PAR DES CLIENTS, DÉGÂTS MATÉRIELS ET BLESSURES CORPORELLES. CERTAINS ÉTATS OU PROVINCES N'AUTORISENT PAS LES LIMITES SUR LES GARANTIES OU SUR LES RECOURS EN CAS DE RUPTURE DANS CERTAINES TRANSACTIONS. DANS CES ÉTATS OU PROVINCES, LES LIMITES DU PRÉSENT PARAGRAPHE ET DU PARAGRAPHE (3) PEUVENT NE PAS S'APPLIQUER.

(5) Délai limite d'introduction d'une instance judiciaire

Aucune action en justice fondée sur une quelconque rupture de garantie alléguée ne pourra être intentée plus d'une année après que le motif d'action se soit produit.

(6) Aucune autre garantie

Sauf modification par écrit signée par les deux parties, cet accord est présumé être l'accord complet et exclusif entre les parties, remplaçant tous les accords antérieurs, oraux ou écrits, et toutes les autres communications entre les parties au sujet du présent accord. Aucun employé d'Intermatic ni aucune autre partie n'est autorisé à offrir une quelconque autre garantie en plus de celles établies dans le présent accord. La présente garantie est offerte par : Intermatic Incorporated/After Sales Service, 12429 Rojas Drive, El Paso, TX 79928-5201/815-675-7000 <http://www.intermatic.com>

(7) Procédure de réclamation

Pour soumettre une réclamation au titre de la garantie, l'acheteur initial doit :

- (A) Communiquer avec le centre de réclamation d'assurance Intermatic au 1-800-270-7227 avant de faire réparer le matériel endommagé.
- (B) Demander qu'un rapport de déclaration d'incident (Incident Claim Report) soit rédigé concernant les dommages, en incluant la description et l'identification du modèle (le cas échéant) du matériel qui a été endommagé. Consigner le numéro de réclamation de garantie (Warranty Claim Number) pour toute référence ultérieure.
- (C) Soumettre une déclaration de dommage matériel auprès de sa compagnie d'assurance de propriétaire (ou de locataire).
- (D) Renvoyer le LIMITEUR DE SURTENSION INTERMATIC au coordinateur de garantie Intermatic à l'adresse indiquée ci-dessous. Tous les appareils renvoyés doivent être clairement marqués du numéro de réclamation de garantie Intermatic.
- (E) Envoyer toutes les informations suivantes dans un même colis au coordinateur de garantie à l'adresse indiquée ci-dessous.
 - (1) Le nom, l'adresse et le numéro de téléphone du déclarant.
 - (2) L'original daté du reçu de la vente pour le limiteur de surtension Intermatic.
 - (3) L'original du rapport des travaux de réparation.
 - (4) Le rapport de dommages.
 - (5) Un exemplaire du compte rendu de déclaration de la compagnie d'assurance de propriétaire (ou locataire) ou une copie de la police d'assurance montrant que le montant de la franchise est supérieur au coût de la réparation.

(F) Adresser toutes les communications et renvois de produits à :

Intermatic Warranty Coordinator
7777 Winn Road
Spring Grove, Illinois 60081-9698
Attn: Surge Claim Processor

Informations sur le produit et l'installation

Date d'achat : _____
Date d'installation : _____
Installé par : _____
Point d'installation : _____
Valeur des disjoncteurs le cas échéant : _____

INTERMATIC INCORPORATED
SPRING GROVE, ILLINOIS 60081-9698
<http://www.intermatic.com>

⚠ ADVERTENCIA *Riesgo de incendio o descarga eléctrica*

- Para instalación en interiores y exteriores.
- Desconecte la energía desde los disyuntores o los interruptores de desconexión antes de realizar la instalación o el mantenimiento.
- La instalación y el cableado se deben realizar de acuerdo con los requisitos del Código Eléctrico Nacional y Local.
- Un técnico o electricista calificado y con certificación deben realizar la instalación y el mantenimiento.
- Adecuado para usarlo en un circuito con capacidad para entregar no más de 50.000 amperios eficaces de corriente simétrica.
- Para ubicaciones exteriores o húmedas (a prueba de lluvia) se deben usar bujes de conducto que cumplan con los requisitos de la norma UL514B (norma para conductos de conexión y cajas de tomacorriente).
- MANTENGA LA PUERTA CERRADA EN TODO MOMENTO cuando no realice mantenimiento.

AVISO

- Esta unidad no contiene piezas a las que le pueda realizar mantenimiento.
- Este producto no protege contra golpes de rayos directos.

Cableado del protector contra sobretensión del voltaje de CA:

1. Determine la ubicación del modelo IG1300:
 - Los cables para el SPD están ubicados debajo de la cubierta del canal para cables. Todo el cableado de la energía de CA debe pasar a través de un orificio ciego ubicado detrás del canal para cables.
 - Para que el cableado sea más cómodo, se pueden invertir los módulos de teléfono y de cable coaxial. Consulte las Figuras 2 y 3 para ver las configuraciones.
 - Asegúrese de que las longitudes del conductor sean lo más cortas y rectas como sea posible para obtener el mejor rendimiento. No enrolle el exceso de cable. El SPD funciona mejor si todas las curvas de los cables son redondeadas, idealmente, con un radio de 10 cm. Una curva pronunciada de 90 grados reducirá la eficiencia. Corte todos los conductores a la longitud correcta. No enrolle el exceso de conectores.
 - Instale accesorios impermeables adecuados si la unidad se va a montar en el exterior.
2. Conecte el cable verde del SPD a la barra colectora de conexión a tierra del panel como se muestra en la Figura 1.
3. Conecte el cable blanco del SPD a la barra colectora neutra en el panel como se muestra en la Figura 1.
4. Conecte los dos cables negros al disyuntor como se muestra en la Figura 1. Para un mejor rendimiento del SPD, se debería usar el tamaño de disyuntor máximo recomendado de 240 V, 20 A de 1 o 2 polos.
5. Asegúrese de que todo el montaje y las conexiones eléctricas sean correctas y estén conectadas firmemente.
6. Una vez que se energice, se ENCENDERÁ la luz indicadora LED verde la cual será visible a través de la cubierta del SPD. No energice hasta que la unidad completa esté adecuadamente instalada.

Cableado de la protección contra sobretensión del teléfono:

1. Seleccione el orificio ciego correspondiente para tender y conectar los cables de teléfono.
 - NO pase los cables coaxiales o de teléfono a través del mismo orificio ciego o conducto que las líneas de energía de CA.
2. Dirija y conecte las conexiones de LÍNEA del teléfono al bloque de terminales "IN" (ENTRADA) del protector contra sobretensión del teléfono. (Las conexiones de LÍNEA son los cables provenientes de la empresa de telefonía).
3. Dirija y conecte las líneas telefónicas del hogar al bloque de terminales OUT (SALIDA) del protector contra sobretensión del teléfono. Es muy importante asegurarse de que los pares de conductores estén alineados con las conexiones del terminal IN. Consulte las Figuras 2 o 3.
4. Una vez que todo el cableado esté completo, asegúrese de que todas las llamadas entrantes y salientes funcionen de manera adecuada. Si esto no es así, siga todos los pasos mencionados anteriormente para garantizar que todo el cableado esté correcto.

Cableado de la protección contra sobretensión del cable coaxial:

1. Seleccione el orificio ciego correspondiente para tender y conectar los cables coaxiales.
 - NO pase los cables coaxiales o de teléfono a través del mismo orificio ciego o conducto que las líneas de energía de CA.
2. Pase las líneas de entrada del cable coaxial a través de un orificio ciego de la unidad IG1300. Consulte las Figuras 2 o 3.
3. Fije firmemente el extremo del cable coaxial en el módulo de protección del mismo. (La polaridad no es necesaria para la protección coaxial).
4. Repita estos pasos para los cables coaxiales de salida hacia la televisión.

Mantenimiento:

- SPD de voltaje de CA:
 - Revise periódicamente el SPD para garantizar que la luz indicadora LED verde esté ENCENDIDA. Si la luz LED verde está APAGADA, la protección ha disminuido y se debería reemplazar el SPD.
- Protector contra sobretensión del teléfono:
 - Si los teléfonos protegidos están funcionando, entonces el dispositivo de protección contra sobretensión está intacto y funciona de manera adecuada.
 - Si las líneas telefónicas protegidas no funcionan, reemplace inmediatamente el módulo de protección del teléfono.
 - Módulo de teléfono de repuesto: IG2T.
- Protector del cable coaxial:
 - Si la línea de cable protegida está funcionando, entonces el dispositivo de protección contra sobretensión está intacto y funciona de manera adecuada.
 - Si la línea de cable protegida no funciona, reemplace inmediatamente el módulo de protección coaxial.
 - Número de pieza del módulo coaxial de repuesto: IG1C.

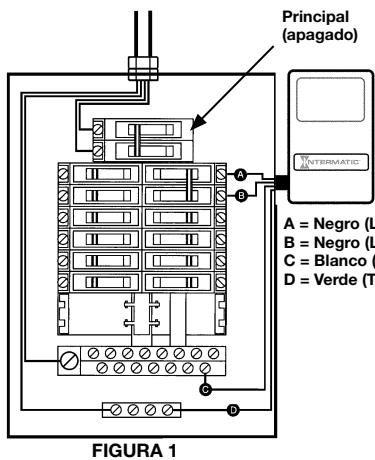


FIGURA 1

Principal (apagado)

A = Negro (Línea, mitad derecha)
 B = Negro (Línea, mitad izquierda)
 C = Blanco (Neutro)
 D = Verde (Tierra)



FIGURA 2

Lengüeta de montaje

Dispositivo de protección contra sobretensión de CA

Torx T-20

Coaxial

Orificio de montaje (2 ubicaciones)

Módulos de protección del teléfono

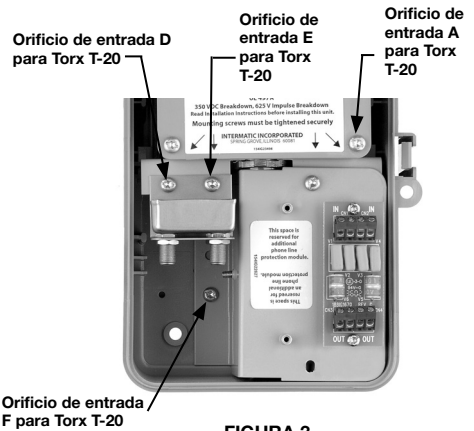


FIGURA 3

Orificio de entrada D para Torx T-20

Orificio de entrada E para Torx T-20

Orificio de entrada A para Torx T-20

Orificio de entrada F para Torx T-20

GARANTÍA LIMITADA DE CINCO AÑOS PARA PRODUCTOS y PARA EQUIPOS CONECTADOS para LOS DISPOSITIVOS DE PROTECCIÓN CONTRA SOBRETENSIÓN DE INTERMATIC

CONSERVE ESTA PÁGINA PARA SU PROPIO REGISTRO.

(1) Lo que cubre esta garantía limitada

(A) Reemplazo del producto

Intermatic Incorporated ("Intermatic") garantiza solo al comprador original que los dispositivos de protección contra sobretensión IG1300 de Intermatic (cada uno de ellos, un "Producto") estarán libres de defectos en materiales o mano de obra por un periodo de cinco años (60 meses) desde la fecha de compra, o bien, 66 meses desde la fecha de fabricación. Si el comprador descubre un defecto en los materiales o la mano de obra, el comprador debe enviar una reclamación de garantía oportunamente. Cuando Intermatic determine que el Producto está defectuoso, corregirá todo defecto en los materiales o la mano de obra mediante el reemplazo del Producto defectuoso. Toda reparación, lo que incluye piezas y mano de obra, será a cargo de Intermatic. La solución anterior es la solución exclusiva del comprador en caso de un incumplimiento de garantía.

El producto se debe instalar en la aplicación adecuada, completamente de acuerdo con las instrucciones de instalación. Todo el cableado del edificio y demás conexiones hacia el Producto deben cumplir todos los códigos eléctricos nacionales, estatales y locales pertinentes; el Producto no se debe abrir, modificar, exponer a frío o calor extremos, sumergir ni someter a uso o servicio anormales. Todos los productos deben usarse de acuerdo con las instrucciones que se proporcionan con el Producto y el comprador será el único responsable de seleccionar un modelo de Producto con las especificaciones adecuadas para el equipo que se protegerá. Intermatic determinará, a su propio criterio, si un Producto devuelto por un comprador se ha utilizado de acuerdo con las instrucciones, si es un modelo adecuado para el uso del comprador del mismo y si el Producto está defectuoso.

(B) Reparación o reembolso por daños a equipos conectados adecuadamente

Además de la garantía del Producto descrita anteriormente, Intermatic garantiza lo siguiente al comprador original del Producto por un periodo de cinco años a partir de la fecha de compra: En caso de que cualquier equipo eléctrico doméstico básico conectado (como se definen a continuación) presente daños (el "Equipo dañado") como resultado directo de que un Producto no haya protegido al Equipo dañado contra Sobretensión temporal (como se define a continuación) y todas las demás condiciones se cumplan, la opción de Intermatic es reparar el Equipo dañado o reembolsar al comprador del producto defectuoso. El límite de la responsabilidad de Intermatic conforme a esta garantía será el Valor justo de mercado (como se define a continuación) del Equipo dañado o la cantidad deducible de la póliza de seguro residencial del comprador original, lo que sea menor. En ningún caso Intermatic deberá incurrir en costos de reparación ni reembolsar al comprador una cantidad superior a diez mil dólares (USD 10,000,00).

Como se utiliza en este documento, "equipo eléctrico doméstico básico conectado" se referirá a artefactos domésticos y equipos electrónicos básicos, entre los que se encuentran refrigeradores, congeladores, unidades de aire acondicionado, cocinas y hornos, hornos microondas, lavadoras o secadoras, lavavajillas, equipos o componentes de audio y equipos estéreo, equipos de video, televisores y computadoras. Los equipos eléctricos domésticos básicos conectados que normalmente requieren una conexión adicional, como conexiones de teléfono y módem, conexión de antena o cable u otras conexiones temporales o permanentes, deben estar conectados adecuadamente a un dispositivo de protección contra sobretensión indicado por Intermatic que incorpore protección contra sobretensión tanto para conexiones con entrada de CA (energía) y las demás entradas. El Valor justo de mercado del Equipo dañado deberá ser el valor actual del equipo especificado en la versión más reciente de Orion Blue Book (impreso o edición en línea) de Orion Research Corporation, o una publicación comparable.

Inmediatamente después de descubrir un Equipo dañado, el comprador debe enviar una reclamación conforme al procedimiento de reclamación que se indica a continuación. En ningún caso, el comprador podrá iniciar una reclamación después de los (30) días posteriores a que el Equipo protegido se haya dañado. Con el fin de recibir la protección del Equipo conectado que se proporciona en esta Sección, se deben satisfacer todas las siguientes condiciones con respecto al uso del Producto: (a) el Producto se debe instalar adecuadamente; (b) todo el cableado del edificio y las conexiones hacia el Producto y el Equipo dañado deben cumplir todos los códigos eléctricos federales, estatales y locales pertinentes; (c) no se pueden usar cables o conexiones a tierra además de la fuente de energía de CA en conexión con el Producto o Equipo dañado; (d) los Equipos con cableado o conexiones de datos o cable adicionales (según lo definido anteriormente) deben estar debidamente conectados a un dispositivo de protección contra sobretensión (como se indicó anteriormente); (e) los Productos y Equipos protegidos no se deben abrir, modificar, exponer a calor o frío extremos, sumergir ni someter a uso o servicio anormales.

Para fines de esta garantía limitada, una Sobretensión temporal se referirá al sobrevoltaje que se produzca por aumentos repentinos de voltaje o sobretensiones en la línea de energía de CA de la magnitud que el Producto, de acuerdo con sus especificaciones, está diseñado para detener antes de que dichos aumentos repentinos o sobretensiones afecten a los equipos aguas abajo.

(2) Lo que no cubre esta garantía limitada

Intermatic no garantiza (a) defectos en el Producto o daños a cualquier equipo provocados por la instalación inadecuada del Producto, (b) daños provocados por el uso del Producto para otros fines que no sean para los que está diseñado, (c) daños provocados por desastres como incendio, inundación y viento, (d) daños provocados por accesorios o modificaciones no autorizadas del Producto, (e) daños al Producto que se produzcan durante el envío, o (f) alteraciones eléctricas que excedan las especificaciones del producto publicadas, (g) daños al Producto provocados por cualquier otro abuso o mal uso por parte del comprador, (h) daños debido a golpes de rayos directos o en las cercanías, esta garantía aplica para aplicaciones residenciales y comerciales. Este dispositivo no está diseñado para proporcionar protección durante los aumentos de voltaje de la red pública o la pérdida de condiciones neutras que no son, por definición, situaciones de sobretensión temporal y que no están cubiertos por esta garantía.

(3) Exención de responsabilidad de garantía

LAS SIGUIENTES GARANTÍAS REEMPLAZAN A TODAS LAS OTRAS GARANTÍAS EXPRESAS. EN LA MEDIDA QUE LA LEY LO PERMITA, TODAS LAS GARANTÍAS IMPLÍCITAS DE COMERCIABILIDAD O IDONEIDAD PARA UN PROPÓSITO EN PARTICULAR ESTÁN LIMITADAS A LA DURACIÓN DE ESTA GARANTÍA LIMITADA.

(4) Limitación de soluciones

EN NINGÚN CASO, INTERMATIC SERÁ RESPONSABLE POR DAÑOS ESPECIALES, INCIDENTALES O INDIRECTOS SOBRE LA BASE DE INCUMPLIMIENTO DE GARANTÍA, INCUMPLIMIENTO DE CONTRATO, NEGLIGENCIA, RESPONSABILIDADES EXTRACONTRACTUALES ESTRUCTURAS O CUALQUIER OTRA TEORÍA LEGAL. DICHA DAÑOS EXCLUIDOS COMPRENEN, ENTRE OTROS, DAÑOS AL SOFTWARE, PÉRDIDA DE DATOS, PÉRDIDA DE GANANCIAS, PÉRDIDAS DE AHORROS O INGRESOS, PÉRDIDA DE USO DEL PRODUCTO O DE CUALQUIER EQUIPO ASOCIADO, COSTO DE CAPITAL, COSTO DE CUALQUIER EQUIPO SUSTITUTO, INSTALACIONES O SERVICIOS, TIEMPO DE INACTIVIDAD, LAS RECLAMACIONES DE TERCEROS, ENTRE ELLOS, CLIENTES, DAÑOS A LA PROPIEDAD Y LESIONES CORPORALES. ALGUNOS ESTADOS NO PERMITEN LÍMITES DE GARANTÍAS O SOLUCIONES PARA INCUMPLIMIENTOS EN CIERTAS TRANSACCIONES; EN ESOS ESTADOS, ES POSIBLE QUE NO APLIQUEN LOS LÍMITES DE ESTE PÁRRAFO Y DEL PÁRRAFO (3).

(5) Límite de tiempo para iniciar acciones judiciales

No se puede presentar ninguna acción legal que surja de algún incumplimiento de garantía reclamado más de un año después de que haya ocurrido la causa de la acción.

(6) Ninguna otra garantía

A menos que ambas partes lo modifiquen por escrito y lo firmen, se entiende que este acuerdo es el acuerdo completo y exclusivo entre las partes, y reemplazará todos los acuerdos anteriores, orales o escritos, y todas las demás comunicaciones entre las partes relacionadas con la materia de este acuerdo. Ningún cableado de Intermatic o ninguna otra persona están autorizados para otorgar garantías además de las otorgadas en este acuerdo. Este producto tiene garantía de: Intermatic Incorporated/After Sales Service, 12429 Rojas Drive, El Paso, TX 79928-5201/815-675-7000 <http://www.intermatic.com>

(7) Procedimiento de reclamación

Con el fin de enviar una reclamación de servicio de garantía, el comprador original debe:

- (A) Comunicarse con el Centro de Reclamaciones de Seguros de Intermatic al 1-800-270-7227 antes de que se realicen reparaciones en el equipo dañado.
- (B) Solicitar que se escriba un Informe de reclamación de incidentes con respecto a los daños, el que debe incluir descripciones e identificación del modelo (si están disponibles) de los equipos que se dañaron. Registre el número de reclamación de garantía para consulta futura.
- (C) Presentar una reclamación por los equipos dañados a la compañía de seguros residenciales (o de arrendatario).
- (D) Enviar el **DISPOSITIVO DE PROTECCIÓN CONTRA SOBRETENSIÓN DE INTERMATIC** al coordinador de garantía de Intermatic a la dirección que se indica a continuación. Todos los dispositivos devueltos deben estar claramente marcados con el **número de reclamación de garantía de Intermatic.**
- (E) Enviar toda la siguiente información en un solo paquete al coordinador de garantía de Intermatic a la dirección que se indica a continuación.
 - (1) Nombre, dirección y número de teléfono del reclamante.
 - (2) Comprobante de venta original con fecha del Dispositivo de protección contra sobretensión de Intermatic.
 - (3) Informe original para el trabajo de reparación.
 - (4) El informe de daños.
 - (5) Una copia del informe de reclamación emitido por la compañía de seguros residenciales (o de arrendatario) o una copia de la póliza que muestre que la cantidad del deducible excede el costo de la reparación.

(F) Dirigir todas las comunicaciones y devoluciones de productos a:

Intermatic Warranty Coordinator
 7777 Winn Road, Spring Grove, Illinois 60081-9698
 Attn: Surge Claim Processor

Información del producto e instalación

Fecha de compra: _____ Fecha de instalación: _____ Instalado por: _____
 Punto de instalación: _____ Clasificaciones del disyuntor, si corresponde: _____