

SIEMENS



Selection and Application Guide

SEM3™ - Embedded Micro Metering Module™

Scan QR Code
for more
information



Answers for infrastructure and cities.



SEM3™ - Embedded Micro Metering Module™

The new Siemens Embedded Micro Metering Module (SEM3) is a modular metering solution for energy monitoring, data analysis, and sub billing applications. The flexible design allows for low, medium, and high density metering requirements to be met efficiently and economically using only a few standardized components integrated into Siemens Panelboard and Switchboard products. SEM3 is pre-engineered to integrate into new Siemens Panelboards and Switchboards but has also been designed to be implemented in OEM and retrofit applications as well.

The SEM3 provides an innovative and cost effective metering solution that can be incorporated into existing applications such as power monitoring, building automation, and sub-billing systems. SEM3 also has the flexibility to be installed as a standalone solution with real time data available from the controller's standard built-in web pages. This metering product has two levels of accuracy to meet the market's differing requirements and price points. This versatile system allows you to meter just the loads you need without the excess hardware and space requirements of traditional or competing solutions.

Table of Contents

Applications	4
User Advantages	5
Embedded Metering Module Overview	6
Controller	7
Rack to Controller Cable	7
Meter Module	8
Meter Rack	8
Current Transformers	9
Functional Features	10
Web Pages	11 - 12
Dimensions	13 - 15
SEM3 System configured in Panelboards	16
SEM3 System configured in Switchboards	17
P2 Devices Enclosure Sizes	18
P4 and P5 Devices Enclosure Sizes	19
Ordering information	20

Embedded Micro Metering Module™

SEM3 Applications



Multi Family

The SEM3 was designed with residential sub-billing applications in mind. The SEM3 can precisely measure the energy consumption of up to 45 poles per controller® in a space-savings Siemens panelboard solution. The SEM3 can also process metering data from two utility [water/gas] meters and transmit all of this critical billing information to third-party billing software as well as provide remote access via onboard webpage's for quick system diagnostics and management.

The SEM3's unique design allows you to expand by adding additional metered circuits in the future without expensive system modifications or retrofits. Its compact, integrated and cost effective design eliminates unsightly meter socket centers making your property more attractive to tenants and customers alike.

① With two controllers, a single Panelboard can be configured with more than 45 poles monitored in one enclosure. Two controllers can monitor up to 90 poles.



Commercial

The SEM3 is a full featured solution for commercial metering applications. The SEM3 can collect and aggregate your electrical data placing your metering information from multiple businesses, shops, offices, or other commercial units in one secure location right at your finger tips. Because SEM3 is much smaller than traditional metering solutions and is integrated into the electrical equipment, there is no need to waste space on large meter socket centers or electric meter rooms. This allows more square footage to be allocated to more profitable and rentable tenant space.

The standard built-in web pages, on-board data logging for kWh, and web-based configuration will be features you will utilize often in the management of your facility. Whether to perform a quick check of a particular load, gather your energy readings, or make a change of a circuit for a tenant move, SEM3 is the metering solution for your commercial sites. The impressive accuracy of the system assures that costs are allocated properly, ultimately saving you money.



Industrial

The SEM3 opens the door to conveniently and accurately measure your energy usage on all your facility loads. With its economical and efficiently designed package, SEM3 will be your sub-metering standard to gather that next level of energy data within your facility. Whether you are interested in precisely monitoring energy consumption in data center server racks, allocating the energy costs of a factory by department or understanding which equipment in your facility is impacting your peak demand, SEM3 offers a solution that is ideal for your facility, large or small.

No matter what your load size, large distribution loads in a service switchboard or individual receptacle circuits in a panelboard, the SEM3 can be easily applied and monitor your power consumption with ease. And, don't worry about your equipment, whether you're utilizing a multiple section switchboard, a large P4/P5 panelboard, a simple P2 panelboard or even retrofitting to an existing piece of electrical equipment, the SEM3 metering system will seamlessly integrate into Siemens products or retrofit next to your existing gear to best suit your individual needs.

Embedded Micro Metering Module™

User Advantages



For Contractors:

The SEM3 metering system provides an ideal sub-metering package for electrical contractors and installers. The installation of the SEM3 product is no different than installing any other Siemens panelboard or switchboard. With the integrated design of the SEM3, the Siemens electrical equipment will come pre-installed and internally wired with all the metering components required for field installation, saving days and weeks onsite. There are no separate enclosures to mount, no components to wire, no CTs to install, and no control power to run.

The installation of Siemens SEM3 Metered panelboards and switchboards has reduced installation time and risk for the installer. There are no components to keep track of or install in the field, so losing parts or mis-wiring them is eliminated. With the SEM3 already installed in the Siemens equipment, you simply pull and terminate the power cabling as you would a non-metered panel or switchboard. Then run your communications cabling to the panel and you're complete. The mounting of bulky metering cabinets and installing additional wiring for traditional sub-meter panels can be removed from your estimations. Once you install Siemens SEM3 integrated meter equipment on a project, you won't return to the traditional metering systems of years past.



For Property Owners:

The SEM3 metering system offers several benefits to property owners who are looking to better manage their electrical costs. For those who are interested in sub-metering for billing tenants in an apartment complex or data center or for equipment load analysis in an industrial setting, the SEM3 can provide the visibility and data to achieve these goals.

The simple integration within Siemens panels and switchboards of the SEM3 metering system allows end users to maximize usable and billable square footage while minimizing total cost of ownership. Installation costs are less and time to occupancy is quicker when implementing SEM3 over traditional separate metering enclosures. The standard built-in web based tools within SEM3 allow you to easily and quickly see energy usage data, check loading on a particular circuit, or make changes to your metering as your facility grows. Adding meters later is easy with the modular design and rack system of SEM3. The SEM3 metering system puts the energy information at your finger tips to easily manage your loads, accurately distribute energy costs, plan for future expansions, and save money.



For Engineers and Consultants:

Engineers and consultants will marvel at the size and capabilities of the SEM3 metering system. SEM3 is a full featured metering package that fits into Siemens panelboards and switchboards allowing for the elimination of separate metering systems in your design. With the SEM3 specified in your equipment, you receive a completely pre-engineered and tested metering system installed by the factory with components designed and manufactured to work together seamlessly. Installation in the field is reduced to simply installing a panelboard or switchboard, connecting the load cables and running your communications.

Implementing the SEM3 into your design, won't take hours to figure out. The SEM3's simple and reliable design takes care many design aspects. Siemens quotation and order systems fully support the integration of SEM3 allowing for quick design feedback, budgeting, ordering, and manufacture. No more selecting part numbers for meters, enclosures and CTs. Implementing SEM3 into your sub-metering applications will provide your customers with valuable information in a clean, pre-engineered solution that will meet your design expectations of space, cost and features.

Embedded Micro Metering Module™

Solution Overview

Up to 42 Branch Circuits + 3 for the main
 Meter Racks available for 3, 9, 15, and 21 branches per side

Communications

- Modbus RTU
- Modbus TCP
- 2 Pulse Inputs
- One Total Energy Pulse Output
- Optional BacNet protocol support^②



Meter Module

- Up to ANSI C12.20/0.2
- (C12.20 Class 0.2)
- Standalone Design, Single Phase Meter
- Modbus RTU communication to the Controller



- Scalable, customizable, and configurable
- 2 levels of metering accuracy (0.2% and 1%)
- Modular design simplifies installation and use
- Over, under, and delay alarms
- Low cost and low Maintenance
- Ethernet communications
- Digital I/O
- Readily ties into existing lighting panels, distribution panels, and switchboards

SEM3 Series is a family of devices designed to measure the current, voltage, energy usage, and many additional parameters for anywhere from 1 to 45 branch circuits in an integrated panelboard or switchboard. (More than 45 branch circuits with two controllers in one enclosure.)

The SEM3 series delivers accurate power information within a power distribution system with minimal space requirements. The fully programmable system also contains configurable alarms allowing you to better monitor loads and energy usage. This revolutionary design results in:

- Reduced total cost of ownership
- Reduced footprint
- Real-time metering data



Controller

- Converts single meter modules into 1, 2 and 3 phase meters
- Provides a single Modbus slave address for entire panel
- Supplies Class 2 signals to Meter Modules representing A, B, C and N voltage levels^③

Independent placement of CTs on mounting adapter



The modular design of the SEM3 Series allows for customization to suit large or small metering needs. The simple, snap in standard or high accuracy meter modules facilitate easy maintenance and are adaptable to Siemens panelboards and all front connected switchboards, eliminating the need for large metering stations. The SEM3 system has a wide range of applications and is commonly used in:

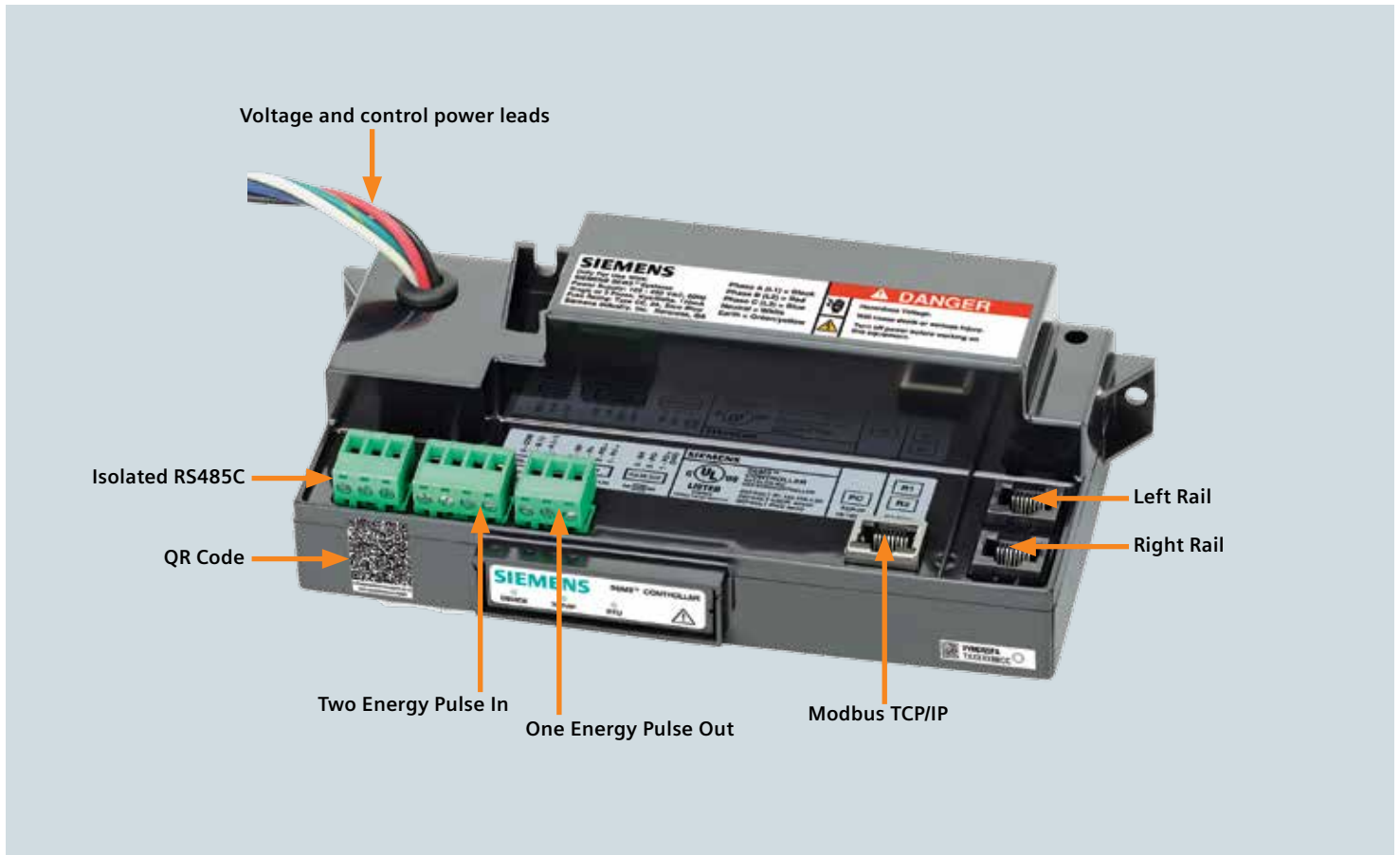
- Sub Billing and Cost Allocation
- System Diagnostics and Trending
- LEED Certification
- Load Management
- Commercial, Residential, and Industrial Metering
- Meter System Retrofits

^② Refer to Ordering Information Section for part number

^③ Field-installed Class 2, Class 3, and other low voltage conductors shall be separated by a minimum 1/4 inch (6.4mm) from factory- or field-installed electric light, power, Class 1, non-power-limited fire alarm circuit conductors, and medium power network-powered broadband communications cables. Separation of conductors may be obtained by clamping, routing, or an equivalent means.

Embedded Micro Metering Module™

Controller and Rack-to-Controller Cables



Controller

- One controller is required per system. A system can have up to 45 metered points. The controller can be configured to combine single points^④ into 1, 2, and 3 phase meters. This information either viewed in real-time or communicated to other systems through its communication interfaces. The single Modbus slave address for the entire panel up to 45 points are provided to the controller.
- Supplies Class 2 signals to Meter Modules representing A, B, C & N voltage levels for metering calculations.
- Provide (2) pulse inputs to act as an entry point for other pulse output meters to be brought into a supervisory system or real time viewing. Provides (1) pulse output that can be configured as a KY or KYZ pulse for the systems total KW output. Converts single branches into 1, 2 and 3 phase meters.
- Provides a single Modbus slave address for entire panel
- Accepts two digital inputs so that two other utilities such as gas and water can be monitored as well
- Uses Modbus TCP and RTU protocols as well as Pulse I/O to communicate
- Collects and processes the data from the meter racks and modules
- Performs the necessary calculations to produce the desired metering data



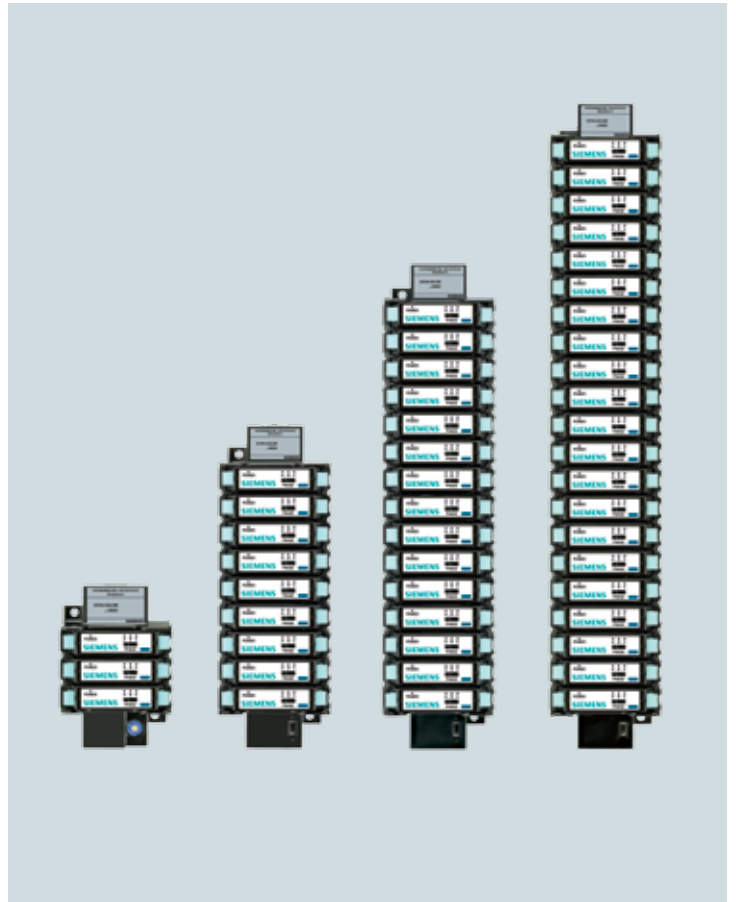
Rack-to-Controller Cables

The communications cables connect the meter racks to the controller and connect meter racks together in series (for 3 meter module racks only). Multiple lengths are available to suit a wide variety of panelboard and switchboard configurations. The data cables are insulated for 600V applications and are not standard Ethernet cables.

^④ Some applications will allow for more than 45 poles in one enclosure by adding a second controller. Two controllers can monitor up to 90 poles.

Embedded Micro Metering Module™

Meter Module and Meter Racks



Meter Module

The metering module (MM) reads the address from the racks designated by its location, current signals from its perspective CT, and voltage, and, power from the controller. Each MM is an independent meter that samples I & V available signals, processes these signals using the embedded power system algorithms and communicates these parameters to the controller. Phasing is set with the dip switch on the meter module Phase A, B, and C—standard electrical equipment is left to right, top to bottom, front to back. A green, orange, or yellow LED indicates the selected phase for the meter once the dip switch has been moved to the desired position. When the meter module has power and is communicating properly with the controller, the power light will blink green.

Meter Racks

The meter racks are holders for the meter modules. Embedded within a rack are the internal addressing for the communication of metering information from the meter modules to the controller via Ethernet cables. A two way dip switch is available on the 9, 15, and 21 position meter racks for meter addressing, whereas a rotary switch is available to set the addressing on 3 position racks.

Embedded Micro Metering Module™

Solid Core Current Transformers



Solid Core

Current Transformers (CT) are components used in AC current measurement. It is a passive component. The current measured flows in a power system conductor. The output of the CT is a scaled down current that is converted to voltage through a burden resistor within the Micro Metering module. Solid core CTs are typically factory installed for your convenience.®

- CTs are designed to work specifically with the SEM3 product and provide 100mA output
- Lead wires are 18AWG, Stranded 16/30
- Primary Rating: 600VAC
- Overvoltage Category: CATIV

NOTE: For Solid Core CTs, Wire conductors RHH, RHW, and RHW-2 will not be used (Conductor outer diameter larger than CT inner diameter). Reference NEC 2014 Edition, Table 5, Page 70-761. 250 KCMIL Max Conductor for 250A CT

⑤ Field-installed Class 2, Class 3, and other low voltage conductors shall be separated by a minimum 1/4 inch (6.4mm) from factory- or field-installed electric light, power, Class 1, non-power-limited fire alarm circuit conductors, and medium power net work-powered broadband communications cables. Separation of conductors may be obtained by clamping, routing, or an equivalent means.

Embedded Micro Metering Module™

Functional Features

Instantaneous values		
Voltage	Phase-Phase (2,3 Phase) Phase-Neutral (1 phase)	✓
Currents	Per Phase	✓
Active, Reactive, and Apparent power (kW, kVAR, kVA)	Per Phase and Total	✓
Power Factor	Per Phase and Total	✓
Frequency	45...64 Hz	✓
Phase Angle		✓
Current Demand - kW demand	Per Phase and Total	✓
Max Values	Current Demand	✓
	Current	✓
	kW Demand	✓
	kW	✓
Average Values	Voltage	✓
	Current	✓
Energy Measurement		
Active Energy (kWh)		✓
Reactive Energy (kVARh)		✓
Apparent Energy (kVAh)		✓
Alarming / Monitoring Functions		
Phase Loss		✓
Over Current Warning		✓
Over Current Alarm		✓
Over kW Demand Alarm		✓
Under/Over Voltage Alarm		✓
Communications		
Ethernet/Modbus TCP	Integrated RJ45 port as standard (can support two masters simultaneously)	10/100 base-T (100 Mbit/sec)
Modbus RTU	Integrated RS485 port	Support of baud rates of 9600, 19.2K and 38.4K
kWhr Pulse Input1/2	Monitors Meters (Water, Gas, etc.)	Form A / C 28 VDC (± 4)
kWhr Pulse Output1		Form A / C max 30 VDC
General		
Password Protection		✓
Technical Data		
Measurement Types		1, 2, or 3 phase
Measurement Accuracy - Standard		ANSI C12.16/1
Measurement Accuracy - High		ANSI C12.20/0.2
Measured Voltage without Transformer	Delta/Wye	480V max
Current Inputs	100 mA output CTs	50-1200A CTs
Power Supply	AC	120-480 VAC (±10%)
Degree of Protection	Front / Rear	IP52 - NEMA 12 IP20 - NEMA 1A
Operating Temperature	°C / °F	-10°C to 65°C 14°F to 149°F
Safety Standards and Compliance		
CSA C22.2 No. 1010-1 Safety Requirements for Electrical Equipment for Measurement		
UL916 Energy Management Equipment		
UL61010-1 (IEC 61010-1) Test and Measurement Equipment		

Embedded Micro Metering Module™

SEM3 Web Pages

Cutting Edge Web Enabled Configuration and Real-Time Data Display

View your system voltage, current, power and energy readings from anywhere using standard web browsers like Internet Explorer and Chrome.

Everyday functionality, including system status, alarm status, total kWh, etc.

Web enabled configuration provides authenticated access to common functions:

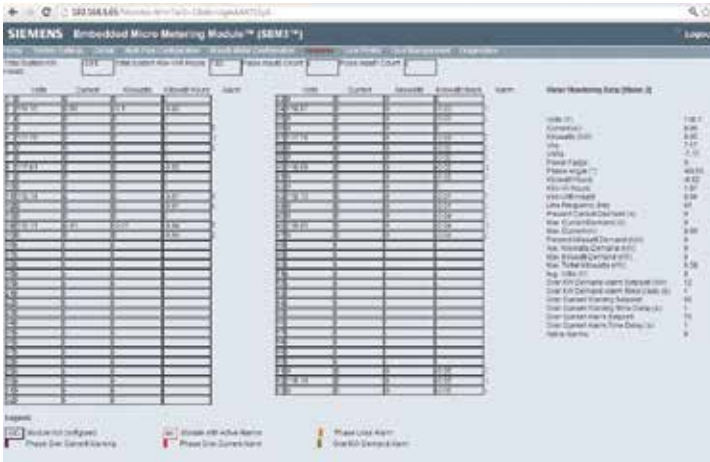
- **System Settings** – System Settings will allow you to Configure IP, Modbus RTU Slave, CT/PT ratios, system mode 4Wye/Delta, and Web Settings.
- **Global Settings** – Global Settings will allow you to set alarm thresholds and set-points for different alarm conditions. Setting saved on here will override all other settings. These settings need to be completed before branch meter configuration.
- **Multi-Pole Configuration** – Multi-Pole Configuration will allow you to configure an un-configured meter module & reconfigure a configured module to define whether the meter is monitoring one pole, two pole, or three pole system.
- **Branch Meter Configuration** – Branch Meter configuration will allow you to change basic attributes of a branch, set specific individual meter warnings, CT ratings, labels, and alarm thresholds.
- **Real-time Data** – Constantly updates information for all configured and responding metering modules. The real-time data allows you to view real-time data along with any alarms that are active for a particular metering module.
- **Diagnostics** – Diagnostics will allow you to see the Modbus register address information for individual meter modules for integrating with Electrical Power Monitoring systems, Building Management systems, SCADA and third party outside systems.

User Management – Supervisors can manage all accounts currently registered on the system. There are three user Access levels: Supervisor, Controller and Observer.

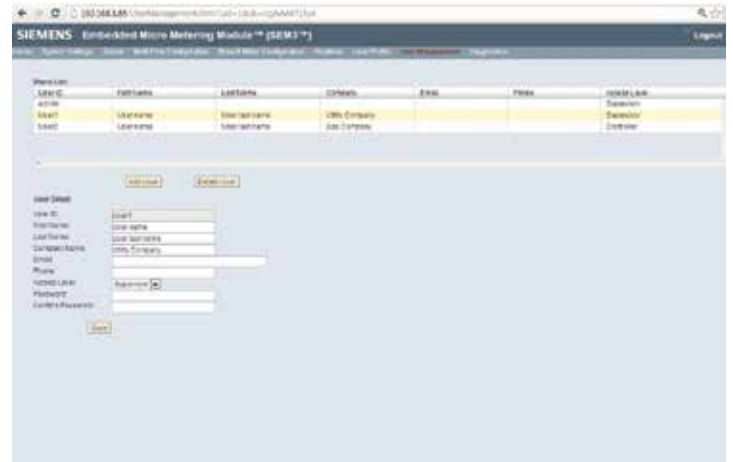
Supervisor	Access to all pages with administrator rights
Controller	Access to "Home," "Realtime," and "User Profile" pages with alarm acknowledgement
Observer	Access to "Home," "Realtime," and "User Profile" pages (viewing access only)

Embedded Micro Metering Module™

SEM3 Web Pages



Realtime: User can view and acknowledge the alarms and can monitor the usage



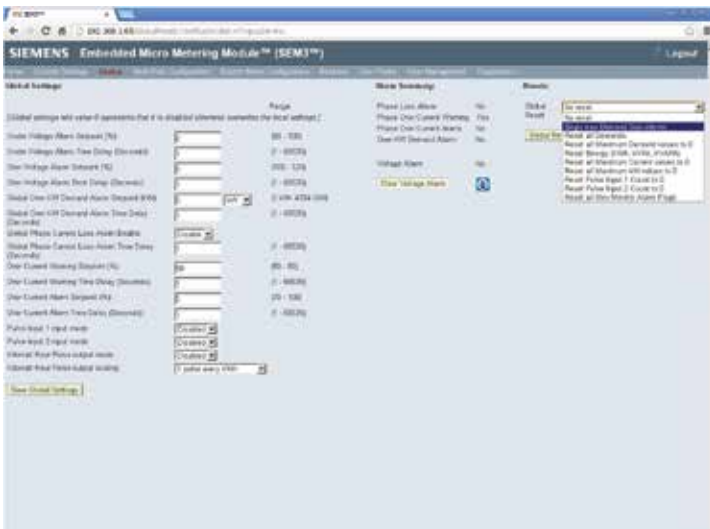
User Management: Manage user accounts by adding, removing and modifying



Multi-Pole Configuration: retrieves information about the metering modules from the controller



Branch Meter Configuration: Individually configure each meter



Global: Allows User to configure alarm setpoint thresholds

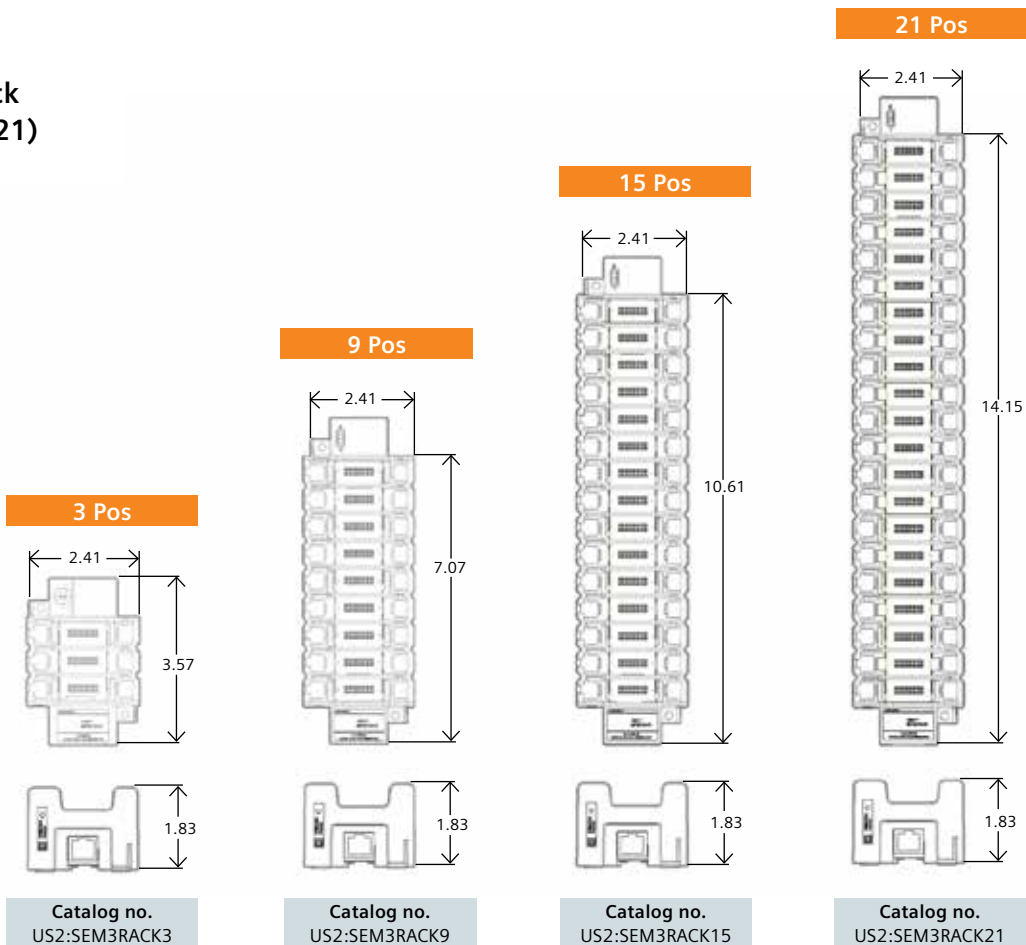


Diagnostics: Displays all active metering and can provide metering Modbus Register information

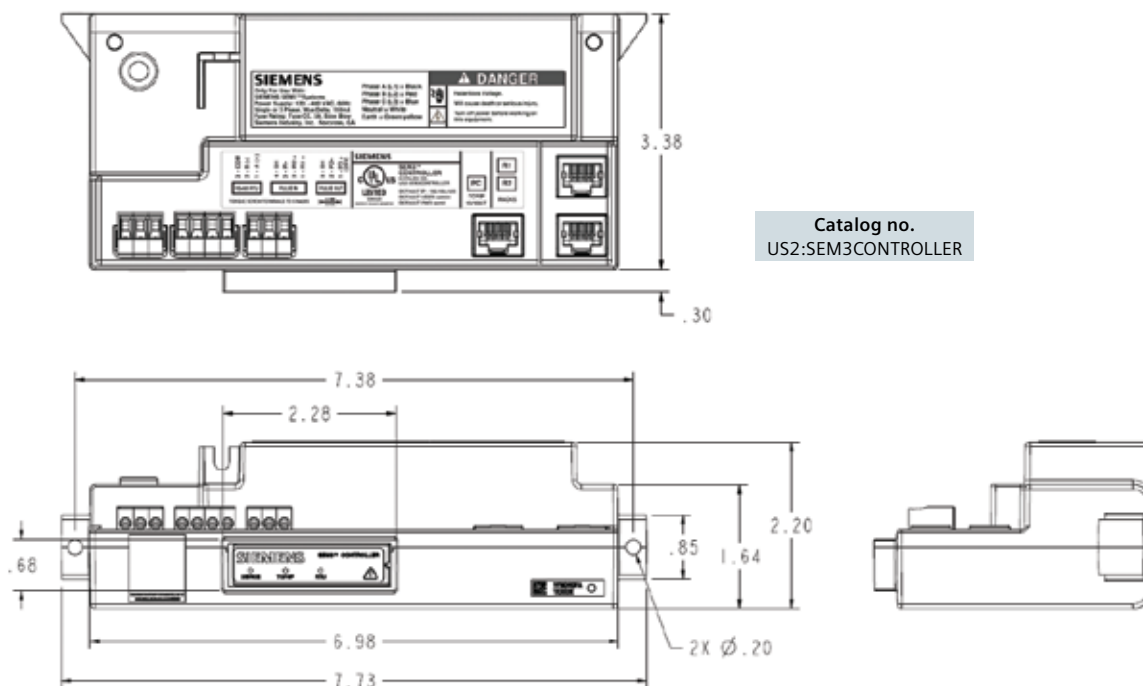
Embedded Micro Metering Module™

Dimensions

Meter Rack
(3, 9, 15, 21)



Controller Dimensions

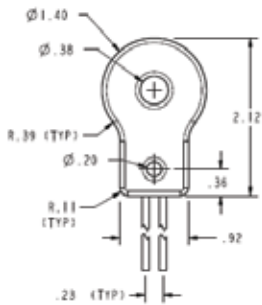


Embedded Micro Metering Module™

Dimensions

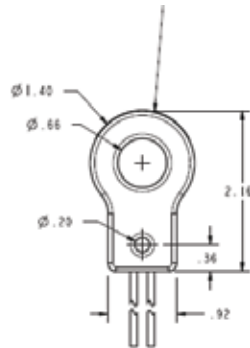
Current Transformer – Solid Core ④

50A



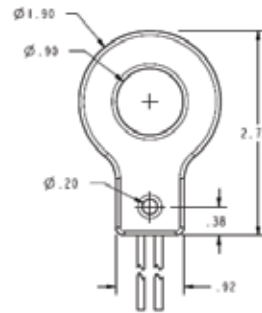
Catalog no.
US2:SEM3SCCT50

125A



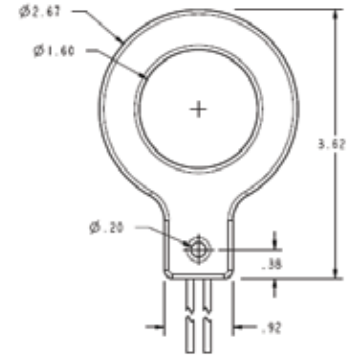
Catalog no.
US2:SEM3SCCT125

250A



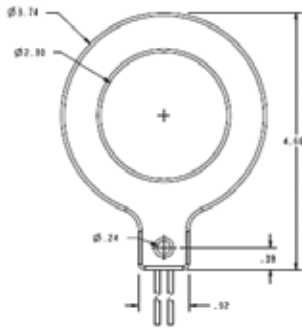
Catalog no.
US2:SEM3SCCT250

400A



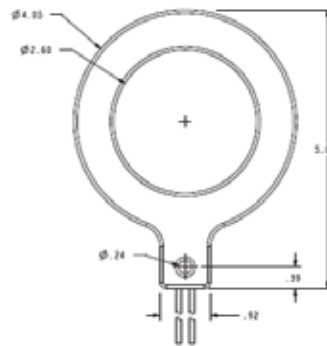
Catalog no.
US2:SEM3SCCT400

600A



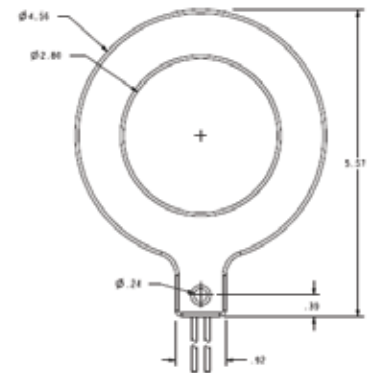
Catalog no.
US2:SEM3SCCT600

800A



Catalog no.
US2:SEM3SCCT800

1200A



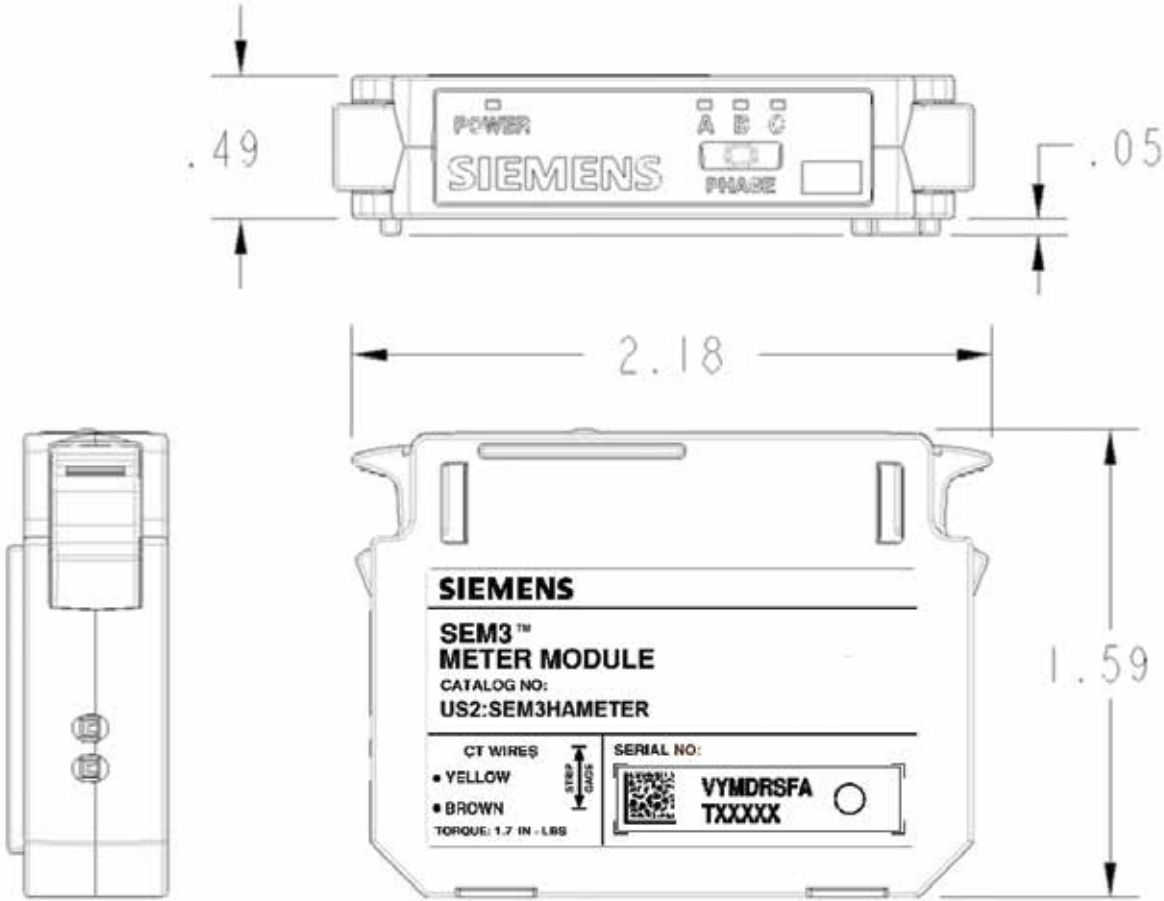
Catalog no.
US2:SEM3SCCT1200

④ Please refer to NOTE section detailed on page 9.

Embedded Micro Metering Module™

Dimensions

Meter Module



Description	Catalog no.
Standard Accuracy 1%	US2:SEM3LAMETER
High Accuracy 0.2%	US2:SEM3HAMETER

Embedded Micro Metering Module™

SEM3 System configured in Panelboards

The Siemens SEM3 system can be configured for factory installation in branch circuit monitoring applications using the Siemens COMPAS configuration tool. This option can lower the installation time of the system for the installer while providing a factory warranted solution.

The SEM3 system can be factory installed in unit space in type P2, P4, & P5 Siemens panel boards and SB1, SB2, & SB3 type Siemens switchboards. Please note P1 and P3 configurations are not available at this time and the amount of unit space needed varies depending upon the application. Please note that lead time adders will apply and may vary depending upon the configuration of the system.

SEM3 for use in Siemens Panelboards



Type P2: Enclosure

- Available in a NEMA 1, 3R, or 12 rated enclosure.
- Minimum width & depth: 24" width x 5.75" depth
- Height: Up to 74" depending on branch breaker selection
 - Addition of monitoring on some mains (primary and subfeed) may require additional box length. In these cases the box will be increased to the next size available as a standard design.
 - In cases where enclosure size is increased all multi-section panels will be increased to match the largest section.



Controller

SEM3 controller is mounted in unit space opposite of the feed location specified in COMPAS (i.e., bottom mount for top feed) and will require 3" of unit space. Each controller will be powered by direct tap connection to the panel section bus. Each controller can monitor up to 45 circuits. Applications that require monitoring more than 45 circuits will require additional controllers.



Current Transformers (CTs)

Five sizes of CTs are available for use in the P2 panel: 50, 125, 250, 400 & 600 amp. All CTs are pre-mounted to a support bracket that attaches to the base rail of the interior of the panel board. Each bracket supports a maximum of 3 CTs and is designed for the breaker selected (brackets are not interchangeable between breaker frames). Each CT will be attached to a data module that is placed in the meter racks.



Meter Racks

Each meter rack requires 3" of unit space. All meter racks will be installed next to the SEM3 controller in unit space. The COMPAS configuration tool will select the appropriate meter rack configuration according to the user's application and will use the 21 space meter rack as a default option where possible. Only one meter rack (regardless of number of positions) can be installed in 3" of unit space.

NOTE: Monitoring of 45 circuits will require 9" of unit space: two 21 position racks and one 3 position rack

Embedded Micro Metering Module™

SEM3 System configured in Distribution Panels and Switchboards

The information below pertains to panelboard types P4, P5 and switchboard types SB2, and SB3. Please note SEM3 is not available for P3 panelboards or SB1 switchboards. SEM3 is available in NEMA type 1, 3R, and 12 enclosures. SEM3 specifics to P4, P4, SB2, and SB3 are:

SEM3 for use in Siemens Switchboards



Controller

SEM3 controller is mounted in unit space. For P4 and P5 panels it will be mounted opposite of the feed location specified in COMPAS (i.e., bottom mount for top feed). The controller will require 3.75" of unit space in P4/5 and SB2/3. Each controller will be powered by direct tap connection to the section bus and can monitor up to 45 circuits. Applications that require monitoring more than 45 circuits will require additional controllers. For multi-section applications each controller will only be connected to meter racks in the same section as the controller.



Current Transformers (CTs)

Six sizes of CTs are available for use in P4/5 & SB2/3 applications: 50, 125, 250, 400, 600, and 1200 amp. All CTs are pre-mounted to a support bracket that attaches to the interior. Each bracket supports a maximum of 3 CTs and is designed for the breaker selected (brackets are not interchangeable between breaker frames). Each CT will be attached to a data module that is placed in the meter racks.



Meter Racks

Each meter rack requires 3.75" of unit space. All meter racks will be installed next to the SEM3 controller in unit space. The COMPAS configuration tool will select the appropriate meter rack configuration according to the user's application and will use the 21 space meter rack as a default option where possible. Only one meter rack (regardless of number of positions) can be installed in 3.75" of unit space. For multi-section applications each rack will only be connected to data modules from CTs in that section. Racks will not be setup to monitor CTs from adjacent sections.

NOTE: Monitoring of 45 circuits will require 9" of unit space: two 21 position racks and one 3 position rack

Other Considerations

Configuration: Data modules from CTs monitoring a circuit breaker must be mounted adjacent to one another in the meter rack. Any field changes to the factory configuration must take this into account.

Start-up & Commissioning: Siemens can provide these services. Contact your local SIEMENS PDS Power Solutions Business Developer for more details.

Billing Services for sub billing applications: Billing services are available. Contact your local SIEMENS PDS Power Solutions Business Developer for more details.

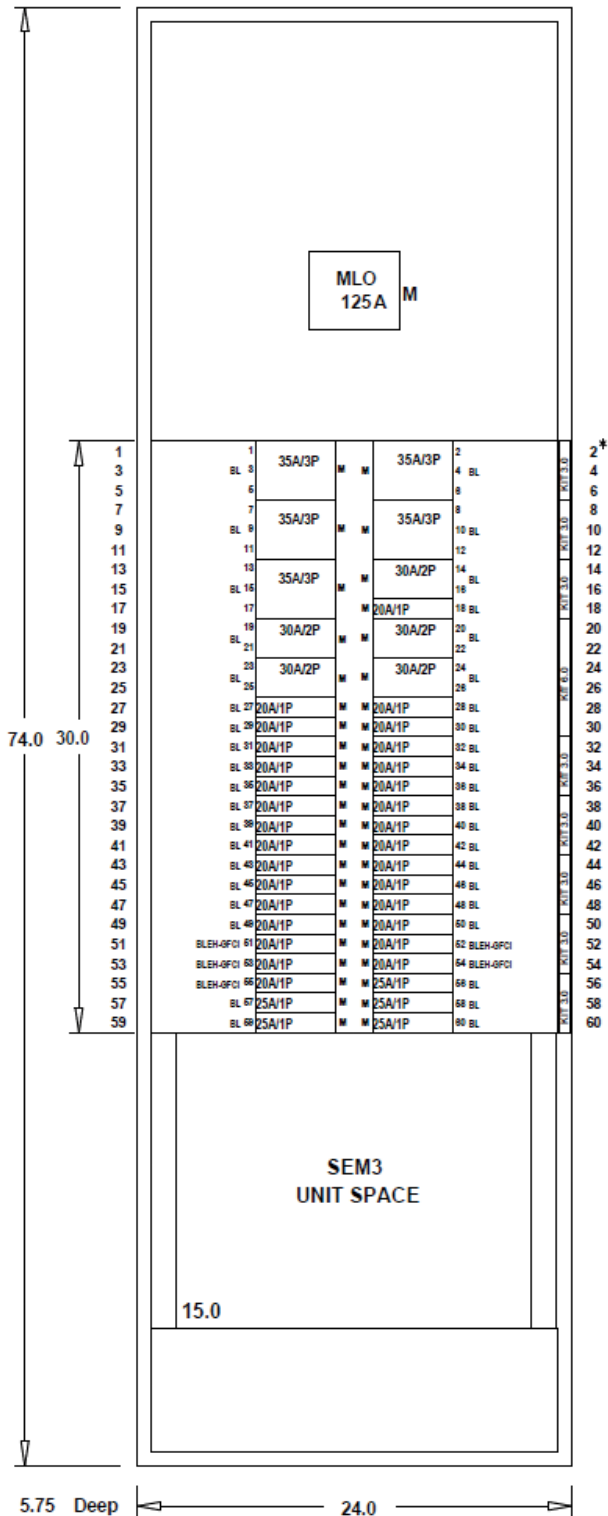
P2 Devices

Enclosure sizes

Example P2 Panel with SEM3 Type 1 Enclosure (24" Wide x 5.75" Deep)

Enclosure heights are in 6" increments from 26" thru 74".
Enclosure heights: 26", 32", 38", 44", 50", 56", 62", 68", 74"

The COMPAS configuration tool can provide actual dimensions based on the configuration. Example below is largest standard P2 enclosure for factory assembled panel with all small (1") branch breakers installed.



← 24" std. width →

Main Breaker / Main Lug space varies based on selected options

Unit space varies based on selected options

Note: All circuits do not have to be monitored by SEM3 - user can select any circuits in this space to be monitored.

Based on smallest branch breakers and a 3-phase main being monitored. There is a maximum of 63 circuits that can be monitored with the configuration shown. Some selections of main breakers and other subfeed options could limit this further.

In this situation there is 30" of unit space available - so 60 branch circuits could be monitored. If monitoring the main three additional circuits could be monitored with a total of 63 circuits.

This requires two controllers and three 21 position racks using 15" of unit space. - see below -

SEM3 space varies by number of circuits monitored - this uses unit space.

- == > 6" of space for up to 21 circuits monitored one controller and one 21-pos rack
- == > 9" of space for up to 42 circuits monitored one controller and two 21-pos racks
- == > 12" of space for up to 45 circuits monitored one controller and two 21-pos racks plus one 3-pos rack
- == > 15" of space for up to 63 circuits monitored two controllers and three 21-pos racks

Note: If subfeed space is needed - it will take away from available unit space.

P4 and P5 Devices

Enclosure sizes

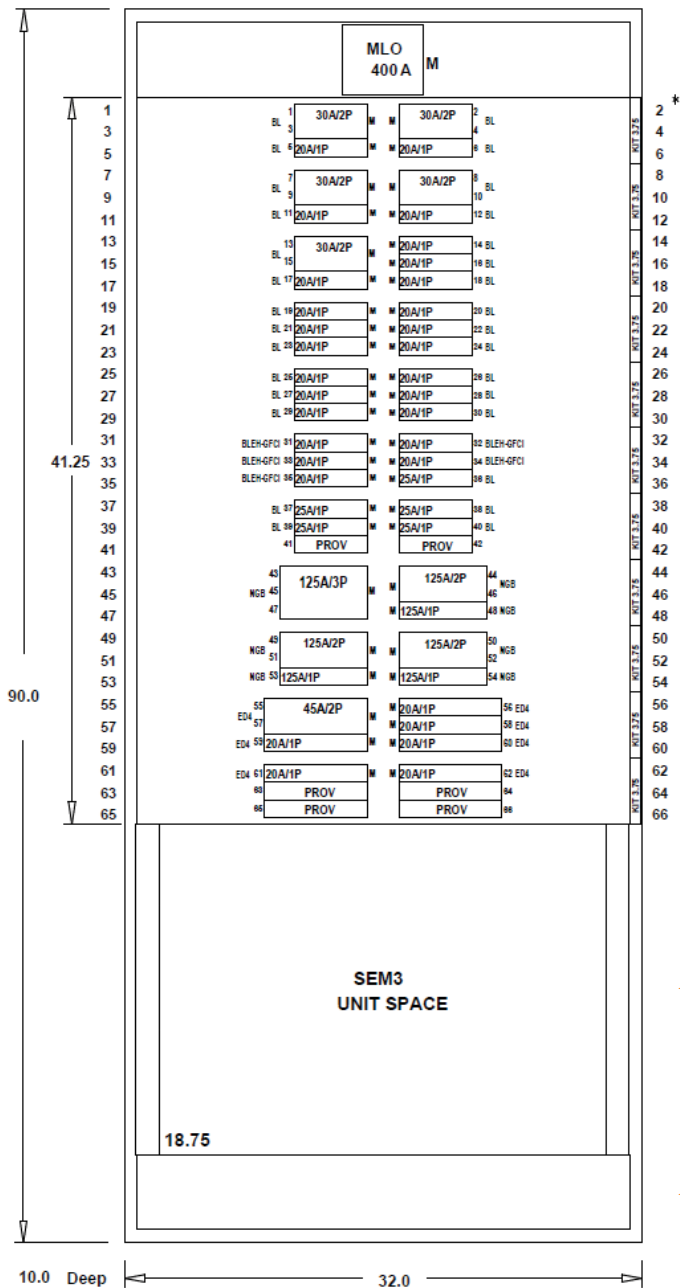
Example P4 and P5 Panel with SEM3 Type 1 Enclosure

P4 = (32" Wide x 10" Deep)

P5 = (38" or 46" Wide x 10" Deep)

Enclosure heights are in 15" increments from 60" thru 90".
Enclosure heights: 60", 75", 90" (there are optional depths also)

The COMPAS configuration tool can provide actual dimensions based on the configuration. Example below is largest standard P4 enclosure for factory assembled panel - unit space is in 3.75" increments - up to 6 circuits can occupy each 3.75" of unit space.



← 32" std. width for P4 →

Main Breaker / Main Lug space varies based on selected options

Unit space varies based on selected options

Note: All circuits do not have to be monitored by SEM3 - user can select any circuits in this space to be monitored.

Based on smallest branch breakers and a 3-phase main being monitored. There is a maximum of 63 circuits that can be monitored with the configuration shown. Some selections of main breakers and other subfeed options could limit this further.

In this situation there is 37.5" of unit space available - so 60 branch circuits could be monitored. If monitoring the main three additional circuits could be monitored with a total of 63 circuits.



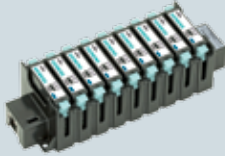


This requires two controllers and three 21 position racks using 18.75" of unit space.
- see below -

SEM3 space varies by number of circuits monitored - this uses unit space.

- == > 7.5" of space for up to 21 circuits monitored one controller and one 21-pos rack
- == > 11.25" of space for up to 42 circuits monitored one controller and two 21-pos racks
- == > 15" of space for up to 45 circuits monitored one controller and two 21-pos racks plus one 3-pos rack
- == > 18.75" of space for up to 63 circuits monitored two controllers and three 21-pos racks

Note: If subfeed space is needed - it will take away from available unit space.

Ordering Information

Controller	Catalog number	
Main Controller	US2:SEM3CONTROLLER	
Meter Modules		
Meter - Standard Accuracy 1%	US2:SEM3LAMETER	
Meter - High Accuracy .2%	US2:SEM3HAMETER	
Meter Racks		
Meter Rack 3 Position	US2:SEM3RACK3	
Meter Rack 9 Position	US2:SEM3RACK9	
Meter Rack 15 Position	US2:SEM3RACK15	
Meter Rack 21 Position	US2:SEM3RACK21	
Cables		
Controller to Rack Cable - 6 Inch	US2:SEM3CAB6INCH	
Controller to Rack Cable - 12 Inch	US2:SEM3CAB12INCH	
Controller to Rack Cable - 24 Inch	US2:SEM3CAB24INCH	
Controller to Rack Cable - 36 Inch	US2:SEM3CAB36INCH	
Solid Core CTs		
Solid Core CT 50:0.1	US2:SEM3SCCT50	
Solid Core CT 125:0.1	US2:SEM3SCCT125	
Solid Core CT 250:0.1	US2:SEM3SCCT250	
Solid Core CT 400:0.1	US2:SEM3SCCT400	
Solid Core CT 600:0.1	US2:SEM3SCCT600	
Solid Core CT 800:0.1	US2:SEM3SCCT800	
Solid Core CT 1200:0.1	US2:SEM3SCCT1200	
BacNet Protocol Converter		
Modbus to BacNet Converter	US2:PDSBACNET	

Notes

Notes

Notes

Siemens Industry, Inc.
5400 Triangle Parkway
Norcross, GA 30092

1-800-241-4453
info.us@siemens.com

Order No. PDSA-SEM3G-0814
Printed in USA
All rights reserved
© 2014, Siemens Industry, Inc.

The information provided in this brochure contains merely general descriptions or characteristics of performance which in case of actual use do not always apply as described or which may change as a result of further development of the products. An obligation to provide the respective characteristics shall only exist if expressly agreed in the terms of contract.

All product designations may be trademarks or product names of Siemens AG or supplier companies whose use by third parties for their own purposes could violate the rights of the owners.

www.usa.siemens.com/SEM3