

Video Wall Jack, F-Connector

APPLICATION

Leviton's Telephone and Video wallplates are ideal where flush mount telephone or video connection plates are needed. These familiar and functional wallplates support video applications in NEMA openings where a traditional look is desired. Durable video connection wallplates are available with a nickel-plated female-to-female 75 Ω F-Connector Coupler.



80781-xxx

80782-xxx

FEATURES

- Durable, smooth finish nylon material that matches other Leviton nylon wallplates for a consistent look throughout the home or business
- Includes mounting hardware with color-matched wallplate screws
- Available with one or two F-Connector Coupler(s)
- Mounts to single-gang backboxes or four-square boxes with appropriate user-provided reducer

STANDARDS COMPLIANCE

cULus Listed (UL 1863, CAN/CSA-C22.2 No. 182.4-1990)
Society of Cable Telecommunications Engineers (SCTE) Compliant

PHYSICAL SPECIFICATIONS

Dimensions: See page 2
Materials: High-impact, durable, fire-retardant nylon plastic rated UL94V-2

COUNTRY OF ORIGIN

Taiwan

WARRANTY INFORMATION

For a copy of Leviton product warranties, visit www.leviton.com/warranty.

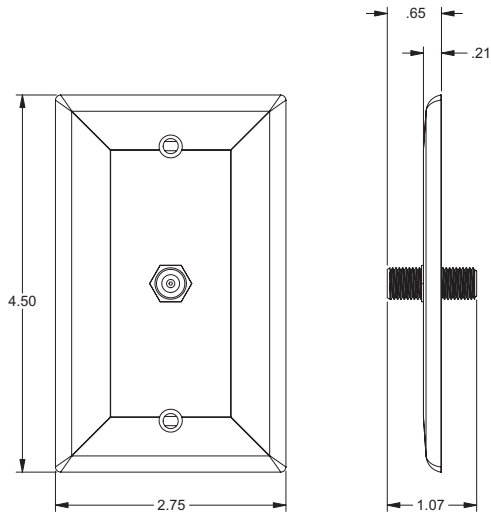
ELECTRONIC FILES

For CAD files, typical specs, or technical drawings (.DXF, .DWG), visit www.leviton.com.

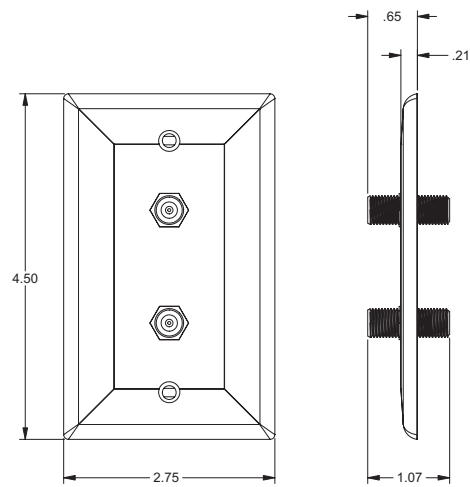
SPECIFICATION

The Leviton Standard Video Wall Jack shall meet all applicable standards and be available in two configurations including a single F-coupler plate and a dual F-coupler plate. The plate shall support standard NEMA compliant wall-boxes and low-voltage box eliminators. The F-coupler shall support all video and multimedia applications and support frequencies up to 3GHz.

80781-xxx, 80782-xxx



80781-00x



80782-00x

PART NUMBERS			
Description	White	Ivory	Light Almond
Standard Video Wall Jack with one F-Connector	80781-00W	80781-00I	80781-00T
Standard Video Wall Jack with two F-Connectors	80782-00W	80782-00I	80782-00T



Leviton Network Solutions 2222 - 222nd St. SE Bothell, WA 98021-4416 tel 1-800-824-3005 tel +1-425-486-2222 appeng@leviton.com www.leviton.com	Asia / Pacific T +1.631.812.6228 E infoasean@leviton.com	Canada T +1.514.954.1840 E pcservice@leviton.com	Caribbean T +1.954.593.1896 E infocaribbean@leviton.com	China T +852.2774.9876 E infochina@leviton.com	Colombia T +57.1.743.6045 E infocolombia@leviton.com
	Europe T +44.0.1592.772124 E customerserviceeu@leviton.com	Mexico T +52.55.5082.1040 E lsamarketing@leviton.com	Middle East & Africa T +971.4.247.9800 E lmeinfo@leviton.com	South Korea T +82.2.3273.9963 E infokorea@leviton.com	