

Cable Routing Ring

APPLICATION

The Cable Routing Ring secures slack in Leviton Structured Media™ Centers. The ring provides clean organization and routing of fiber cable, while adhering to proper bend radius.



STANDARDS COMPLIANCE

- RoHS

PHYSICAL SPECIFICATIONS

Dimensions: See drawings below
Materials: ABS plastic, black

COUNTRY OF ORIGIN

USA

WARRANTY INFORMATION

For a copy of Leviton product warranties, visit www.leviton.com/warranty.

ELECTRONIC FILES

For CAD files, typical specs, or technical drawings (.DXF, .DWG), visit www.leviton.com.

SPECIFICATION

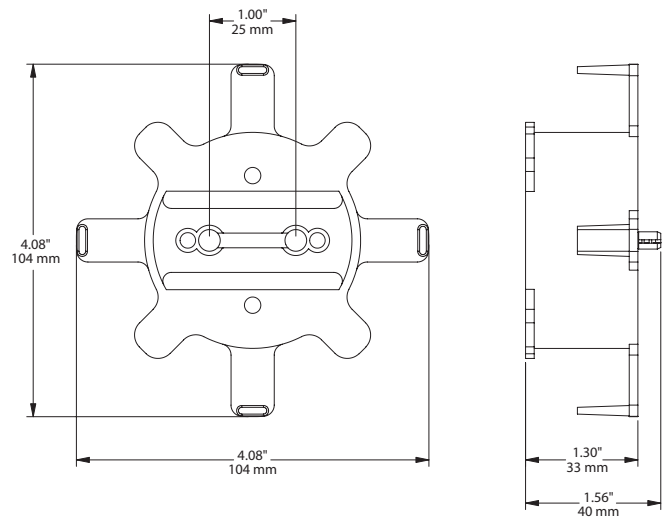
Cable Routing Ring shall be made of black ABS plastic. It shall mount into all Leviton Structured Media Centers, using two black push pins. Ring shall allow for cable routing and slack storage.

FEATURES

- Push lock pins (included) make it easy to attach ring to Structured Media Center

DESIGN CONSIDERATIONS

- Can install in Leviton plastic and metal Structured Media Centers to provide cable routing and slack storage



49605-AFR

PART NUMBERS

Description

Part No.

Cable Routing Ring, black, includes two push pins

49605-AFR



Leviton Network Solutions

2222 - 222nd St. SE
Bothell, WA 98021-4416

tel 1-800-824-3005
tel +1-425-486-2222
appeng@leviton.com
www.leviton.com

Asia / Pacific

T +1.631.812.6228
E infoasean@leviton.com

Europe

T +44.0.1592.772124
E customerserviceeu@leviton.com

Canada

T +1.514.954.1840
E pcservice@leviton.com

Mexico

T +52.55.5082.1040
E lsamarketing@leviton.com

Caribbean

T +1.954.593.1896
E infocaribbean@leviton.com

Middle East & Africa

T +971.4.247.9800
E lmeinfo@leviton.com

China

T +852.2774.9876
E infochina@leviton.com

South Korea

T +82.2.3273.9963
E infokorea@leviton.com

Colombia

T +57.1.743.6045
E infocolombia@leviton.com