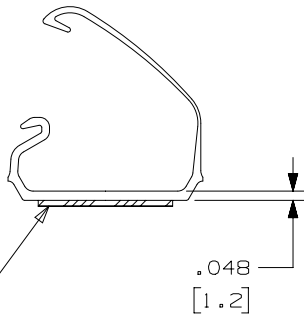
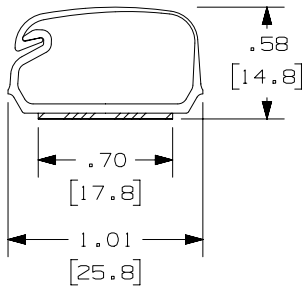


THIS COPY IS PROVIDED ON A RESTRICTED BASIS AND IS NOT TO BE USED IN ANY WAY DETRIMENTAL TO THE INTERESTS OF PANDUIT CORP.

CLOSED VIEW



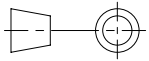
ADHESIVE BACKING
PRESSURE SENSITIVE
FOAM .040 (1.0) THICK
WITH PROTECTIVE LINER.

OPEN VIEW

NOTES:

1. VISIT OUR ON-LINE CATALOG AT WWW.PANDUIT.COM FOR A LIST OF ADDITIONAL PART NUMBER SUFFIXES TO INDICATE COLOR AND/OR PACKAGE QUANTITY.
2. PART IS DESIGNED TO SUPPORT MAXIMUM WEIGHT ON A CLEAN, DRY, SMOOTH SURFACE. THE SURFACE MUST BE PROPERLY PREPARED IN ACCORDANCE WITH PANDUIT RECOMMENDATIONS.
3. PANDUIT RECOMMENDATIONS:
 - A. IT IS RECOMMENDED THAT PANDUIT ADHESIVE TAPE BE APPLIED ON SURFACES WHOSE TEMPERATURE IS APPROXIMATELY 70°F (21°C) OR HIGHER FOR THE INITIAL BOND.
 - B. THE OPTIMUM RECOMMENDED DWELL TIME PRIOR TO LOADING FOR RUBBER ADHESIVE IS TWO HOURS.
 - C. PANDUIT TAPE SHOULD BE APPLIED TO A CLEAN, DRY, GREASE-FREE SURFACE WITH SUFFICIENT PRESSURE TO ASSURE GOOD ADHESIVE CONTACT. AVOID ADHESIVE CONTAMINATION WITH FOREIGN MATERIAL BY CLEANING WITH AN ISOPROPYL ALCOHOL OR A DEGREASER.
4. TO APPLY PART:
 - A. REMOVE PROTECTIVE LINER.
 - B. PLACE PART IN DESIRED LOCATION.
 - C. APPLY PRESSURE TO FLAT SURFACE OF PART.
5. NO WARRANTY, EXPRESSED OR IMPLIED, IS MADE BY PANDUIT WITH RESPECT TO ADHESIVE BOND PERFORMANCE. THE CONDITIONS UNDER WHICH THESE MOUNTS MAY BE APPLIED AND/OR THE SURFACE TO WHICH THEY ARE APPLIED ARE BEYOND PANDUIT'S CONTROL.
6. DIMENSIONS IN METRIC ARE IN [].

PART NAME	PANDUIT PART NO. (SEE NOTE 1)	LENGTH IN. (MM)	STATIC LOAD (SEE NOTE 2)	APPROX. WEIGHT
LATCHING DUCT	LD5**6-A	72.0±.13 (1829±3.3)	.39 lbs/in (7.0 g/mm)	.089 lbs/ft (.133 g/mm)
	LD5**8-A	96.0±.13 (2438±3.3)	.39 lbs/in (7.0 g/mm)	.089 lbs/ft (.133 g/mm)
	LD5**10-A	120.0±.13 (3048±3.3)	.39 lbs/in (7.0 g/mm)	.089 lbs/ft (.133 g/mm)

PART NUMBER		LD5		
TITLE		LATCHING DUCT		
		CUSTOMER DRAWING		
ITEM REVISION NAME		D15247BA/03		
DATASET FILE NAME		D15247BA_DC_LD5/03C		
		 THIRD ANGLE PROJECTION		
MATERIAL		PVC		DRAWING NUMBER
				SS-15247
DRAWN BY	DATE	CHK	SCALE	SIZE
RG	02-19-79	HVP	NONE	A
SHEET 1 OF 1				

REV	DATE	BY	CHK	APR	DESCRIPTION	ECN
03C	5-13-22	BJN	BSN	TAM	REMOVED 2-A & 3-A PART NUMBERS FROM TABLE	M09000QE
03B	6-25-21	BJN	BSN	BETL	UPDATED NOTES	SS-15247

A-SIZE CUSTOMER