

INSTRUCTION MANUAL  
MANUAL DE INSTRUCCIONES  
MANUEL D'INSTRUCTIONS  
BEDIENUNGSANLEITUNG



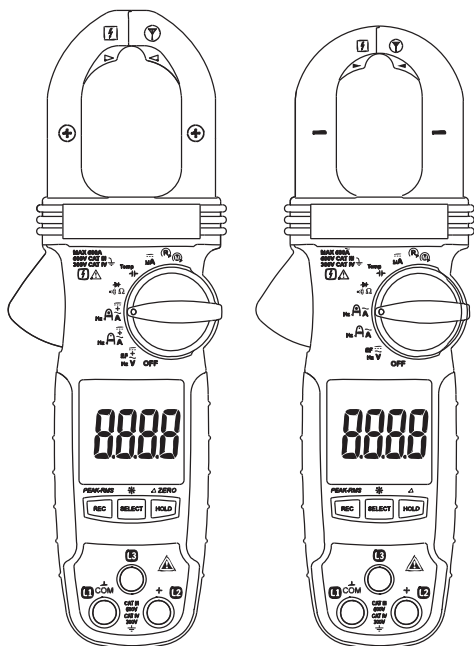
**CM-660**

**CM-860**

**CM-960**

**CMH-600**

**CMI-600**



Español.....	23
Français .....	43
Deutsch .....	63

**Clamp Meters**  
**Medidores con pinza**  
**Contrôleurs à pince**  
**Zangenmessgeräte**



**Read and understand** all of the instructions and safety information in this manual before operating or servicing this tool.

**Lea y entienda** todas las instrucciones y la información sobre seguridad que aparecen en este manual, antes de manejar estas herramientas o darles mantenimiento.

**Lire attentivement et bien comprendre** toutes les instructions et les informations sur la sécurité de ce manuel avant d'utiliser ou de procéder à l'entretien de cet outil.

Vor Bedienung oder Wartung dieses Messgerätes bitte alle Anweisungen und Sicherheitsinformationen in diesem Handbuch genau **durchlesen** und **beachten**.

## Description

The Greenlee CM-660, CM-860, CM-960, CMH-600, and CMI-600 Clamp Meters are hand-held testing devices with the following measurement capabilities: AC and DC voltage, AC current, AC current AmpTip™, frequency, non-contact electric field (EF) detection, and resistance. They also check diodes and verify continuity. These meters are designed to be placed on or removed from insulated or uninsulated conductors.

### Additional functionality specific to each model includes:

Function	CMI-600	CM-960	CMH-600	CM-860
AC + DC Voltage	•	•		
DC Current AmpTip™	•	•		
DC + AC Current AmpTip™	•	•		
DC Current	•	•		
µDC Current	•		•	
Temperature (K-style thermocouple)	•		•	
Motor Rotation	•		•	
Phase Rotation	•		•	
Peak RMS Capture	•	•	•	
Capacitance	•	•	•	•
Backlight	•	•	•	•
Zero Mode	•	•	•	•

### Other capabilities include:

- Hold Mode to capture the present LCD value
- Record Minimum, Maximum, or Average Mode
- Intelligent Auto Power Off
- Automatic ranging

## Safety

Safety is essential in the use and maintenance of Greenlee tools and equipment. This instruction manual and any markings on the tool provide information for avoiding hazards and unsafe practices related to the use of this tool. Observe all of the safety information provided.

## Purpose of This Manual

This instruction manual is intended to familiarize all personnel with the safe operation and maintenance procedures for the Greenlee CM-660, CM-860, CM-960, CMH-600, and CMI-600 Clamp Meters.

Keep this manual available to all personnel. Replacement manuals are available upon request at no charge at [www.greenlee.com](http://www.greenlee.com).

## Important Safety Information



### SAFETY ALERT SYMBOL

This symbol is used to call your attention to hazards or unsafe practices which could result in an injury or property damage. The signal word, defined below, indicates the severity of the hazard. The message after the signal word provides information for preventing or avoiding the hazard.

#### **⚠ DANGER**

Immediate hazards which, if not avoided, **WILL** result in severe injury or death.

#### **⚠ WARNING**

Hazards which, if not avoided, **COULD** result in severe injury or death.

#### **⚠ CAUTION**

Hazards or unsafe practices which, if not avoided, **MAY** result in injury or property damage.



#### **⚠ WARNING**

**Read and understand** this material before operating or servicing this equipment. Failure to understand how to safely operate this tool could result in an accident causing serious injury or death.



#### **⚠ WARNING**

Electric shock hazard:  
Contact with live circuits could result in severe injury or death.



**Do not discard this product or throw away!**

For recycling information, go to [www.greenlee.com](http://www.greenlee.com).

All specifications are nominal and may change as design improvements occur. Greenlee Tools, Inc. shall not be liable for damages resulting from misapplication or misuse of its products.

© Registered: The color green for electrical test instruments is a registered trademark of Tools, Innovations Inc.

AmpTip is a trademark of BTC.

**KEEP THIS MANUAL**

## Important Safety Information

### **WARNING**

Electric shock and fire hazard:

- Do not expose this unit to rain or moisture.
- Do not use the unit if it is wet or damaged.
- Clamp meter, test leads or any other clamp accessory, when used to make a measurement, create a System. The System is rated for CAT III 600 V or CAT IV 300 V when using the test leads or accessories provided with the meter. The System CAT and voltage rating is limited by the lowest rated component in the System when using test leads or accessories not provided with the meter.
- Inspect the test leads or accessory before use. They must be clean and dry, and the insulation must be in good condition. Do not use the test lead if the contrasting inner layer of insulation is visible.
- Use this unit for the manufacturer's intended purpose only, as described in this manual. Any other use can impair the protection provided by the unit.

Failure to observe these warnings could result in severe injury or death.

### **WARNING**

Electric shock hazard:

- Do not apply more than the rated voltage between any two input terminals, or between any input terminal and earth ground.
- Keep hands and fingers below the barriers on the test leads and the clamp meter body.

Failure to observe these warnings could result in severe injury or death.

### **WARNING**

Electric shock hazard:

- Do not operate with the case open.
- Before opening the case, remove the test leads from the circuit and shut off the unit.

Failure to observe these warnings could result in severe injury or death.



## Important Safety Information

### **⚠ WARNING**

Electric shock hazard:

- Unless measuring voltage, current, or frequency, shut off and lock out power. Make sure that all capacitors are discharged. Voltage must not be present.
- Set the selector and connect the test leads so that they correspond to the intended measurement. Incorrect settings or connections can result in incorrect measurements or damage to the unit.
- Using this unit near equipment that generates electromagnetic interference can result in unstable or inaccurate readings.

Failure to observe these warnings could result in severe injury or death.

### **⚠ CAUTION**

Electric shock hazard:

- Do not change the measurement function while the test leads are connected to a component or circuit.
- Do not clamp the jaw around a conductor carrying a frequency greater than 400 Hz. The magnetic circuitry may reach a hazardous temperature if this frequency is exceeded.

Failure to observe these precautions may result in injury and can damage the unit.

### **⚠ CAUTION**

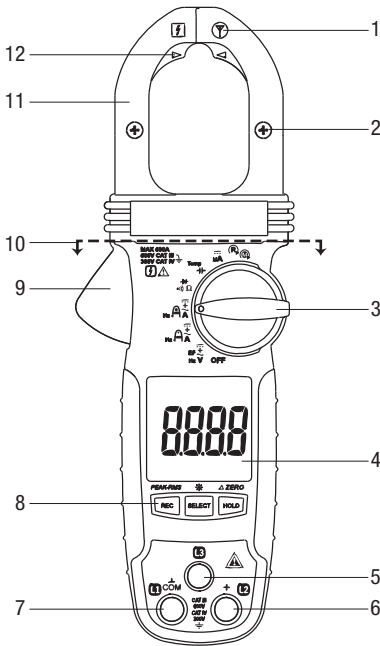
Electric shock hazard:

- Do not attempt to repair this unit. It contains no user-serviceable parts.
- Do not expose the unit to extremes in temperature or high humidity. Refer to "Specifications."

Failure to observe these precautions may result in injury and can damage the unit.

## Identification

1. Antenna for non-contact EF detection
2. Jaw center indicator for best current accuracy; polarity indicator for DC amps
3. Selects a function or turns power off
4. LCD
5. Input jack for phase and motor rotation functions only
6. Positive input terminal; L2 input for motor and phase rotation
7. Negative, common, or ground input terminal; L1 input for motor and phase rotation
8. Refer to explanation under "Using the Features."
9. Jaw lever
10. Keep hand or fingers below the dashed line during operation.
11. Jaw
12. Center indicator for AmpTip™ function

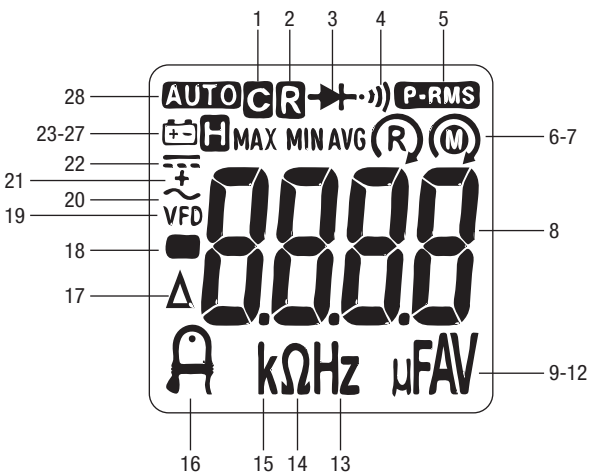


## Symbols on the Unit

- Warning—Read the instruction manual
- Warning—Risk of electric shock
- Earth ground
- Double insulation
- AC (alternating current)
- DC (direct current)
- Application around or removal from hazardous live conductors is permitted.

## Display Icons

1. **AUTO** Automatic ranging is enabled.
2. **R** Record function is enabled.
3. **→+** Diode
4. **•))** Continuity
5. **P-RMS** PEAK-RMS mode is enabled.
6. **(R)** Phase rotation main supply
7. **(M)** Motor rotation
8. **8.8.8.8** Numeric display
9. **μ** Micro (10<sup>-6</sup>)
10. **F** Farad
11. **A** Ampere
12. **V** Volt
13. **Hz** Hertz (frequency in cycles per second)
14. **Ω** Ohm
15. **k** Kilo (10<sup>3</sup>)
16. **A** AmpTip™ function is enabled.
17. **Δ** Relative zero function is enabled.
18. **-** Polarity indicator
19. **VFD** AC measurement with filter for accuracy on variable frequency drives
20. **~** AC measurement is selected.
21. **+** AC + DC measurement is selected.
22. **---** DC measurement is selected.
23. **⊖+** Low battery
24. **H** Hold function is selected.
25. **MAX** Maximum value being displayed
26. **MIN** Minimum value being displayed
27. **AVG** Average value being displayed



## Using the Features

### All Models

- **REC:** Press momentarily to activate MAX/MIN/AVG recording mode. **G** and “MAX MIN AVG” appear on the display. The meter beeps when new maximum or minimum reading is updated. The average reading is calculated over time. Press the button momentarily to read the MAX, MIN and AVG readings in sequence. Press the button for 1 second to exit MAX/MIN/AVG recording mode. APO is disabled automatically in this mode.
- **SELECT:** Press momentarily to toggle between functions, measurement modes, or display modes. The last used setting becomes the default when that function is selected again. To change the default, select a new setting. The setting will be stored in nonvolatile memory.
- **HOLD:** Press momentarily to hold the present value on the display. Press again to exit this mode.
- **Intelligent Auto Power Off (APO):** The meter automatically turns off after approximately 32 minutes of inactivity to extend battery life. Active meter function is specified as: selector switch is rotated or pushbuttons are pressed; readings above 8.5% of the range; non-OL readings for resistance, continuity, or diode function; non-zero readings for Hz function; phase rotation segment moving. To wake up the meter from Auto Power Off, press the **SELECT** button momentarily and release or turn the rotary switch **OFF** and then back on. Always turn the rotary switch to the **OFF** position when the meter is not in use.

### CM-860, CM-960, CMH-600, and CMI-600 Only

- **\***: Press the **SELECT** button for 1 second to toggle the LCD backlight. The backlight automatically turns off after 32 seconds to extend battery life.
- **Δ:** Press the **Δ** button for 1 second to toggle between zero and normal mode. In zero mode the value on the LCD when the button is pressed becomes the offset. As the input value changes, the offset is subtracted from the actual value. This modified value is shown on the LCD.

*Note: Δ operation when DCA or DC + ACA functions are selected offsets any magnetic hysteresis in the jaw. If DCA or DC + ACA reading before measuring is not zero, press the Δ button for 1 second. The LCD will display “dc\_0”. When this clears, the meter is ready for operation. When measuring more than 5 A, this mode is disabled. As an indication, the meter will beep three times.*

### CM-960, CMH-600, and CMI-600 Only

- **PEAK-RMS:** Press the **PEAK-RMS** button for 1 second to activate PEAK-RMS mode to capture peak current or voltage in duration as short as 80 ms. **P-RMS** appears on the display. Press the button for 1 second to exit PEAK-RMS mode. APO is disabled automatically in this mode.

### CMH-600 and CMI-600 Only

- **(M)** and **(R)**: If desired, press and hold the **REC** button while turning the meter ON to enable the Beeper feature. If the segments indicate a clockwise movement, the beeper sounds a single long beep per segment cycle. If the segments indicate a counterclockwise movement, the beeper sounds three short beeps per segment cycle.
  - **(M)**: Ensure the motor is electrically isolated from its power source. Press the **SELECT** button momentarily to select Motor function. Connect the meter to the motor as described in the “Settings Table” section of this manual. From the perspective of looking down the shaft of the motor, spin it clockwise. If the meter indicates a clockwise movement, the motor leads connected to L1, L2, and L3 of the meter are T1, T2, and T3, respectively. If the meter indicates a counterclockwise movement, swap any two connects between the meter and motor. Then retest.
  - **(R)**: Press the **SELECT** button momentarily to select Phase function. Connect the meter to the phases as described in the “Settings Table” section of this manual. If the meter indicates a clockwise movement, the phases connected to L1, L2, and L3 of the meter are L1, L2, and L3, respectively. If the meter indicates a counterclockwise movement, swap any two connects between the meter and phases. Then retest.

## Using the Test Leads

### **⚠ WARNING**

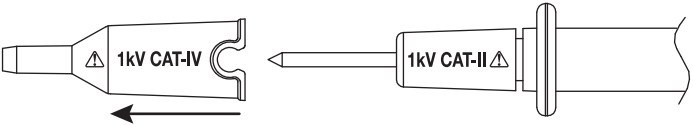
Electric shock hazard:

The test leads supplied with this product comply with safety standards that limit the exposed length of the probe tip to 4 mm for measurement categories III and IV. These test leads include a cap that must be in place when used in measurement category III or IV applications.

Failure to observe this warning could result in severe injury or death.



**Cap must be in place for measurement category III or IV applications.**



**Cap can be removed for measurement category I or II applications.**

## AC Measurement

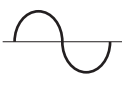
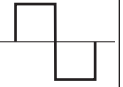
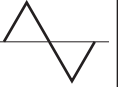

AC measurements are usually displayed as RMS (root mean square) values. The RMS value is equal to the value of a DC waveform, which would deliver the same power if it replaced the time-varying waveform. Two AC measurement methods are average-responding RMS calibrated and true RMS-reading.

The average-responding RMS calibrated method takes the average value of the input signal after full wave rectification, multiplies it by 1.11, and displays the result. This method is accurate if the input signal is a pure sine wave.

The true RMS-reading method uses internal circuitry to read the true RMS value. This method is accurate, within the specified crest factor limitations, whether the input signal is a pure sine wave, square wave, triangle wave, half wave, or signal with harmonics. The ability to read true RMS provides much more measurement versatility. The Greenlee CM-660, CM-860, CM-960, CMH-600, and CMI-600 are true RMS meters.

The Waveforms and Crest Factors table shows some typical AC signals and their RMS values.

### Waveforms and Crest Factors

<b>Waveform</b>				
<b>RMS Value</b>	100	100	100	100
<b>Average Value</b>	90	100	87	64
<b>Crest Factor* (<math>\xi</math>)</b>	1.414	1	1.73	2

\* The crest factor is the ratio of the peak value to the RMS value; it is represented by the Greek letter  $\xi$ .

## AC + DC True RMS

AC + DC true RMS calculates both of the AC and DC components given by the expression

$$\sqrt{(AC\ rms)^2 + DC^2}$$

when making measurements and responds accurately to the total effective RMS value regardless of the waveform. Distorted waveforms with the presence of DC components and harmonics may cause:


- Transformers, generators, and motors to overheat
- Circuit breakers to trip prematurely
- Fuses to blow
- Neutrals to overheat due to the triplen harmonics present on the neutral
- Bus bars and electrical panels to vibrate

CM-960 and CMI-600 can be set to display AC true RMS or AC + DC true RMS.

## AC Bandwidth

AC bandwidth is the range of frequencies over which AC measurements can be made within the specified accuracy. It is the frequency response of the AC functions—not of the frequency measurement functions. A meter cannot accurately measure the AC value with frequency spectrums outside its bandwidth. Complex waveforms, noise, and distorted waveforms contain frequency components that are much higher than the fundamental; for example, high frequency noise on a 50/60 Hz power line.

## Operation

	<b>⚠ WARNING</b>
	<p>Electric shock hazard: Contact with live circuits could result in severe injury or death.</p>

### Operating Procedure

1. Refer to the “Settings Table.” Set the selector to the proper setting, press **SELECT** (when instructed to do so), and connect the test leads to the meter.
2. Refer to “Typical Measurements” for specific measurement instructions.
3. Test the unit on a known functioning circuit or component.
  - If the unit does not function as expected on a known functioning circuit, replace the batteries.
  - If the unit still does not function as expected, call Greenlee for technical assistance at 800-435-0786.
4. Take the reading from the circuit or component to be tested.

## Operation (cont'd)

### Settings Table

To measure this value ...	Set the selector to this symbol ...	These icons appear on the display ...	Connect the red lead to ...	Connect the black lead to ...
<b>ALL MODELS</b>				
Voltage (AC)			+	COM
Voltage (DC)			+	COM
Current, AmpTip™ (AC)			N/A	N/A
Current (AC)			N/A	N/A
Continuity			+	COM
Resistance			+	COM
Diode			+	COM
Frequency	<b>Hz</b>	<b>Hz</b>	+	COM
Electric Field (EF)*	<b>EF</b>	<b>EF</b>	N/A	COM
<b>CM-860, CM-960, CMH-600, and CMI-600 Only</b>				
Capacitance**			+	COM
<b>CM-960 and CMI-600 Only</b>				
Voltage (AC + DC)			+	COM
Current, AmpTip™ (DC)			N/A	N/A
Current, AmpTip™ (AC + DC)			N/A	N/A
Current (DC)			N/A	N/A
Current (AC + DC)			N/A	N/A
<b>CMH-600 and CMI-600 Only</b>				
Temperature	<b>Temp</b>	<b>C or F</b>	***	
Current (μDC)			+	COM
Phase Rotation†			+	COM
Motor Rotation†			+	COM

\* Use the top side of the stationary jaw, or for more precise measurements use a probe in the COM terminal.

\*\* Discharge capacitor before measurement. Refer to "Typical Measurements" regarding polarized capacitors.

\*\*\* Thermocouple + connects to +, thermocouple – connects to COM.

† Yellow lead connects to L3.



## Typical Measurements and Accuracy

Refer to the “Specifications” section for operating conditions and temperature coefficient.

Accuracy is specified as follows:  $\pm$  (a percentage of the reading + a fixed amount) at 23 °C  $\pm$  5 °C (73.4 °F  $\pm$  9 °F).

Frequency must be within the specified bandwidth for non-sinusoidal waveforms. Crest factors, unless otherwise specified, are as follows:

- Crest factor < 2.5:1 at full scale
- Crest factor < 5.0:1 at half scale

### Frequency

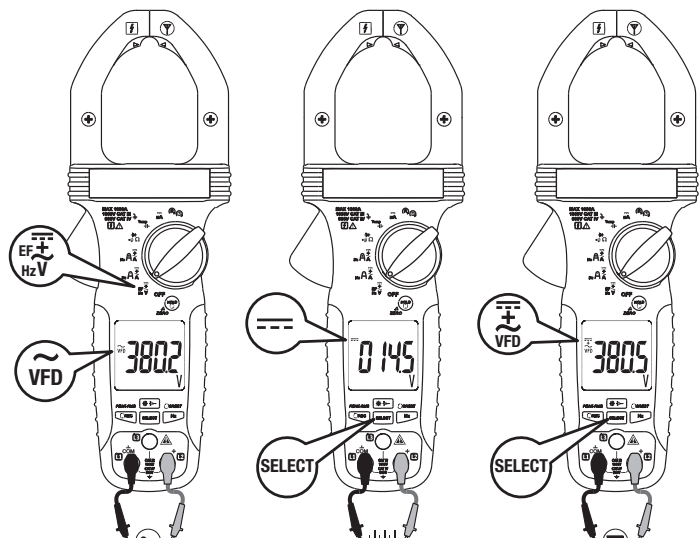
Function	Sensitivity (Sine RMS)*	Range
600 V	50 V	5.00 Hz ~ 999.9 Hz
60.0 A AmpTip™	40 A	50.00 Hz ~ 400.0 Hz
60.00 A, 600.0 A	40 A	50.00 Hz ~ 400.0 Hz

\* DC bias must be less than 50% of the Sine RMS value.

### Accuracy of Frequency Range

Display Range	Accuracy
xx.xx	$\pm$ (1.0% + 0.05 Hz)
xxx.x	$\pm$ (1.0% + 0.5 Hz)

## Voltage Measurement



### AC Voltage

Range	Accuracy at 50 Hz to 60 Hz
600.0	$\pm$ (1.0% + 0.5 V)

### DC Voltage

Range	Accuracy
600.0	$\pm$ (1.0% + 0.5 V)

### AC + DC Voltage (CM-960, CMI-600 only)

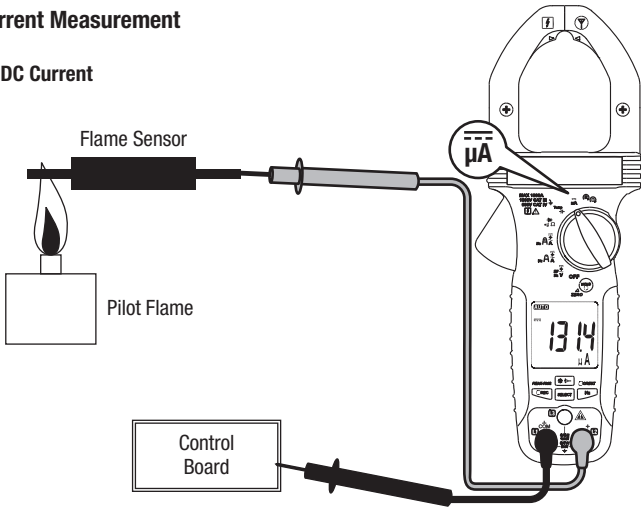
Range	Accuracy at DC, 50 Hz to 60 Hz
600.0	$\pm$ (1.2% + 0.7 V)

Input Impedance: 10 M $\Omega$ , 100 pF nominal

## Typical Measurements and Accuracy (cont'd)

### Current Measurement

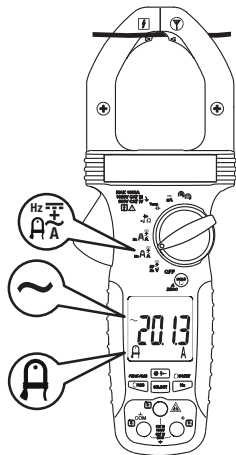
#### μA DC Current



#### μDC Current (CMH-600 and CMI-600 only)

Range	Accuracy	Burden Voltage
200.0 μA	± (1.0% + 0.5 μA)	3.5 mV/μA
2000 μA	± (1.0% + 5 μA)	

#### AmpTip™ Function



#### AmpTip™ AC Current

Range	Accuracy Range	Accuracy at 50 Hz to 60 Hz**
60.00 A	< 0.20 A*	unspecified
	0.00 A to 3.99 A	± (1.5% + 0.15 A)
	4.00 A to 60.00 A	± (1.5% + 0.05 A)

\* For CM-660, CM-860, and CMH-600 only.

\*\* For CM-960 and CMI-600 only, induced error for adjacent current carrying conductors is < 0.01 A/A.

#### AmpTip™ DC Current (CM-960 and CMI-600 only)

Range	Accuracy Range	Accuracy†
60.00 A	0.00 A to 3.99 A	± (2.0% + 0.15 A)
	4.00 A to 60.00 A	± (2.0% + 0.05 A)

#### AmpTip™ DC + AC Current (CM-960 and CMI-600 only)

Range	Accuracy Range	Accuracy at DC, 50 Hz to 60 Hz†
60.00 A	0.00 A to 3.99 A	± (2.0% + 0.17 A)
	4.00 A to 60.00 A	± (2.0% + 0.07 A)

† Induced error for adjacent current carrying conductors is < 0.01 A/A.

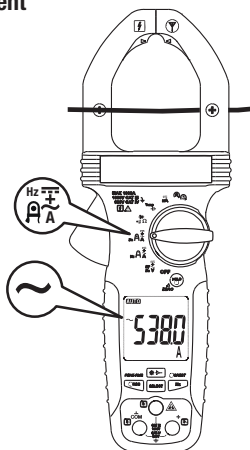
Note: Use Δ if there is an offset before the measurement is taken.

## Typical Measurements and Accuracy (cont'd)

### Current Measurement

(cont'd)

#### AC and DC Clamp



#### AC Current (CM-960 and CMI-600 only)

Range	Accuracy Range	Accuracy at 50 Hz to 100 Hz*†	Accuracy at 100 Hz to 400 Hz*†
60.00 A	0.00 A to 8.99 A	± (1.8% + 0.15 A)	± (2.0% + 0.15 A)
	9.00 A to 60.00 A	± (1.8% + 0.05 A)	± (2.0% + 0.05 A)
600.0 A	60.0 A to 600.0 A	± (1.8% + 0.5 A)	± (2.0% + 0.5 A)

\* Maximum crest factor < 2:1 at full scale and < 4:1 at half scale.

#### AC Current (CM-660, CM-860, and CMH-600 only)

Range	Accuracy Range	Accuracy at 50 Hz to 100 Hz*†	Accuracy at 100 Hz to 400 Hz*†
60.00 A	0.00 A to 0.19 A	unspecified	unspecified
	0.20 A to 5.99 A	± (1.8% + 0.15 A)	± (2.0% + 0.15 A)
	6.00 A to 60.00 A	± (1.8% + 0.05 A)	± (2.0% + 0.05 A)
600.0 A	60.0 A to 600.0 A	± (1.8% + 0.5 A)	± (2.0% + 0.5 A)

\* For any measurement, when the conductor is not positioned on the center of the jaws, add 2.0% to the accuracy for position error.

#### DC Current (CM-960 and CMI-600 only)

Range	Accuracy Range	Accuracy†
60.00 A	0.00 A to 8.99 A	± (2.0% + 0.15 A)
	9.00 A to 60.00 A	± (2.0% + 0.05 A)
600.0 A	60.0 A to 600.0 A	± (2.0% + 0.5 A)

#### AC + DC Current (CM-960 and CMI-600 only)

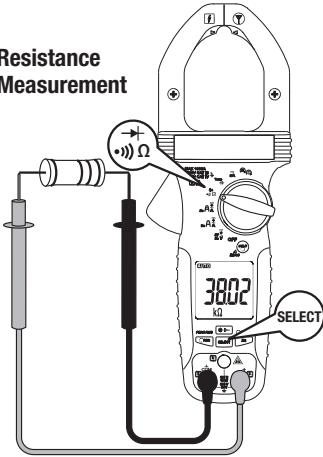
Range	Accuracy Range	Accuracy at 50 Hz to 100 Hz†	Accuracy at 100 Hz to 400 Hz†
60.00 A	0.00 A to 8.99 A	± (2.2% + 0.15 A)	± (2.7% + 0.17 A)
	9.00 A to 60.00 A	± (2.2% + 0.05 A)	± (2.7% + 0.07 A)
600.0 A	60.0 A to 600.0 A	± (2.2% + 0.5 A)	± (2.7% + 0.7 A)

† Induced error for adjacent current carrying conductors is < 0.01 A/A.

Note: Use Δ if there is an offset before the measurement is taken.

## Typical Measurements and Accuracy (cont'd)

### Resistance Measurement



### Resistance

Range	Accuracy
600.0 Ω	± (1.0% + 0.5 Ω)
6.000 kΩ	± (1.0% + 0.005 kΩ)
60.00 kΩ	± (1.0% + 0.05 kΩ)

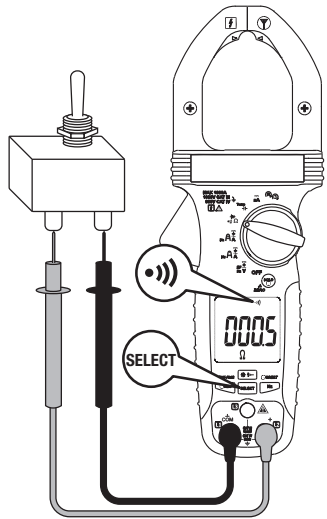
Open Circuit Voltage: 1.0 VDC

### Continuity Check

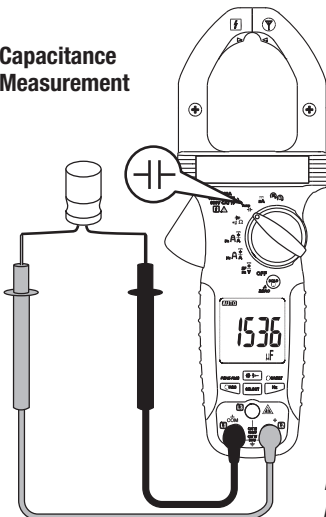
#### Continuity

Tone Threshold: Between 10 Ω and 250 Ω

Response Time: Approximately 32 ms



### Capacitance Measurement



### Capacitance (CM-860, CM-960, CMH-600, and CMI-600 only)

Range	Accuracy*
200.0 μF	± (2.0% + 0.4 μF)
2500 μF	± (2.0% + 4 μF)

\* For film capacitors (capacitors with negligible dielectric absorption).

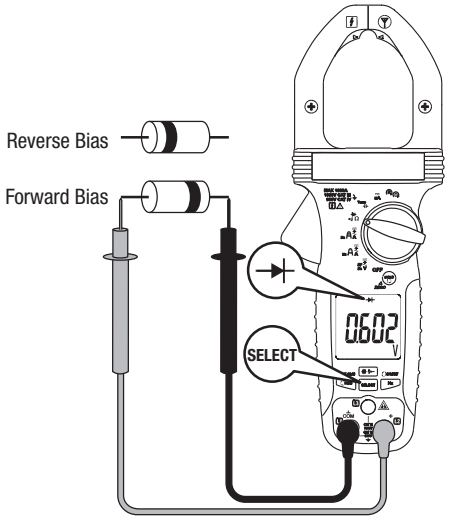
*Note: For polarized capacitors, attach red probe to positive terminal and black probe to negative terminal of capacitor.*

## Typical Measurements and Accuracy (cont'd)

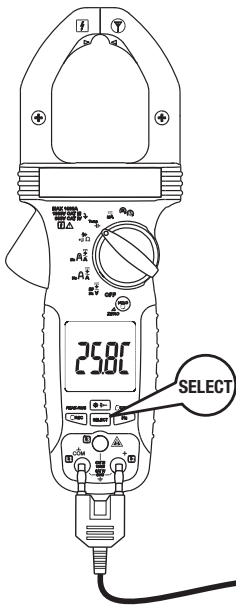
### Diode Measurement

#### Diode Test

Measuring Range: 2.000 V  
 Accuracy:  $\pm (1.5\% + 0.005 \text{ V})$   
 Test Current (typical): 0.3 mA  
 Open Circuit Voltage (typical):  
 < 3.5 VDC



### Temperature



#### Temperature (CMH-600 and CMI-600)

Range	Accuracy*
-40.0 °C ~ 99.9 °C	$\pm (1.0\% + 0.8 \text{ }^\circ\text{C})$
100 °C ~ 400 °C	$\pm (1.0\% + 1 \text{ }^\circ\text{C})$
-40.0 °F ~ 211.8 °F	$\pm (1.0\% + 1.5 \text{ }^\circ\text{F})$
212 °F ~ 752 °F	$\pm (1.0\% + 2 \text{ }^\circ\text{F})$

\* K-type thermocouple accuracy not included.  
 Thermocouple supplied with meter meets  
 standard JIS C 1602-1981.

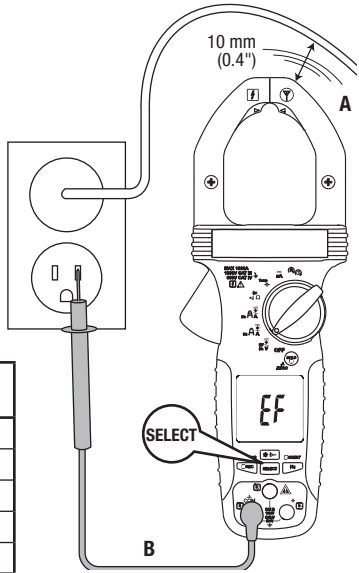
## Typical Measurements and Accuracy (cont'd)

### Electric Field

*Note: CM-660 and CM-860 have a dedicated switch position.*

#### Non-contact EF Detection

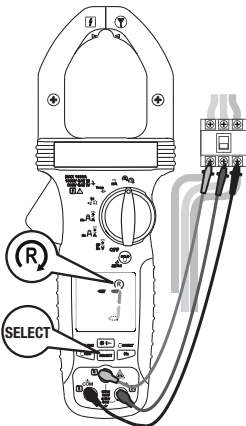
Typical Voltage	Range at 50 Hz to 60 Hz	LCD Indication
20 V	10 V ~ 36 V	-
55 V	23 V ~ 83 V	--
110 V	59 V ~ 165 V	---
220 V	124 V ~ 330 V	----
440 V	250 V ~ 600 V	-----



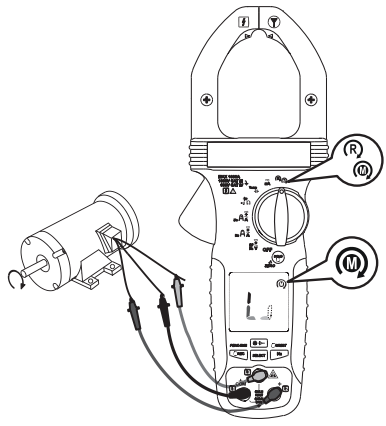
A-Non-contact **OR**

B-Contact, precision measurement

### Phase Rotation



### Motor Rotation



## Specifications

Display: LCD, 3-5/6 digits 6000 counts

Polarity: Automatic

Update Rate: 5 per second nominal

Operating Conditions:

0 °C to 31 °C (32 °F to 88 °F), relative humidity 0% to 80%

31 °C to 40 °C (88 °F to 104 °F), relative humidity decreasing linearly from 80% to 50%

Pollution Degree: 2

Indoor use only

Altitude: Operating below 2000 m (6500 ft)

Storage Temperature: -20 °C to 60 °C, relative humidity < 80%, with batteries removed

Temperature Coefficient: Nominal 0.15 x (Accuracy) per °C below 18 °C from 0 °C to 18 °C (32 °F to 64.4 °F) and above 28 °C from 28 °C to 40 °C (82.4 °F to 104 °F) or otherwise specified

Sensing: True RMS

E.M.C.:

Meets EN61326-1:2006 (EN55022, EN61000-3-2, EN61000-3-3, EN61000-4-2, EN61000-4-3, EN61000-4-4, , EN61000-4-5, EN61000-4-6, EN61000-4-8, EN61000-4-11)

In an RF field of 1 V/m at a frequency of 405 MHz, DCA and DC+AC A mode (CM-960 and CMI-960): Total Accuracy = Specified Accuracy + 20 digits

In an RF field of 1 V/m resistance mode (all models) and DC  $\mu$ A mode (CMH-600 and CMI-600): Total Accuracy = Specified Accuracy + 25 digits

In an RF field of 3 V/m, all other modes and models not specified above: Total Accuracy = Specified Accuracy + 20 digits

Safety: Double insulation per UL/IEC/EN61010-1 Ed. 3, IEC/EN61010-2-033 Ed. 1, CAN/CSA C22.2 No. 61010-1 Ed. 3, IEC/EN61010-2-032 Ed. 2 and IEC/EN61010-031 Ed. 1.1 to CAT III 600V and CAT IV 300V AC and DC

Overload Protections:

Jaws:

Current with Frequency Function: 600 A DC/AC RMS at  $\leq$  400 Hz

Terminals:

Voltage and Phase Rotation Function: 660 V DC/920 V AC RMS

All Other Modes and Functions: 600 V DC/AC RMS

Transient Protection: 6.0 kV (1.2/50  $\mu$ s surge)

Power Supply: Two 1.5 V AAA batteries (NEDA 24A or IEC LR03)

Low Battery:

Capacitance and Frequency Function: Approximately 2.85 V

All Other Functions: Approximately 2.5 V

Current Consumption:

CM-960 and CMI-600: Typically 13 mA

CM-660, CM-860, and CMH-600: Typically 4.3 mA

APO Timing: Idle for 32 minutes

APO Consumption: 5  $\mu$ A typical

Dimensions:

CM-960 and CMI-600: 222 mm x 76 mm x 37 mm (8.7" x 3.0" x 1.4")

CM-660, CM-860, and CMH-600: 217 mm x 76 mm x 37 mm (8.5" x 3.0" x 1.4")

Jaw Opening and Conductor Diameter: 30 mm max (1.18")

## Measurement Categories

These definitions were derived from the international safety standard for insulation coordination as it applies to measurement, control, and laboratory equipment. These measurement categories are explained in more detail by the International Electrotechnical Commission; refer to either of their publications: IEC 61010-1 or IEC 60664.

### Measurement Category II

Local level. Appliances, portable equipment, and the circuits they are plugged into. Some examples include light fixtures, televisions, and long branch circuits.

### Measurement Category III

Distribution level. Permanently installed machines and the circuits they are hard-wired to. Some examples include conveyor systems and the main circuit breaker panels of a building's electrical system.

### Measurement Category IV

Primary supply level. Overhead lines and other cable systems. Some examples include cables, meters, transformers, and other exterior equipment owned by the power utility.

## Statement of Conformity

Greenlee Tools, Inc. is certified in accordance with ISO 9001 (2000) for our Quality Management Systems.

The instrument enclosed has been checked and/or calibrated using equipment that is traceable to the National Institute for Standards and Technology (NIST).



## Maintenance

### **⚠ WARNING**

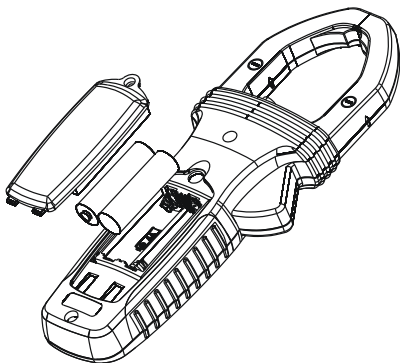
Electric shock hazard:

Before opening the case, remove the test leads from the circuit and shut off the unit.

Failure to observe this warning could result in severe injury or death.

### **Replacing the Batteries**

1. Disconnect the unit from the circuit. Turn the unit OFF.
2. Remove the two screws from the battery access door and remove it.
3. Replace the batteries, making sure to observe the polarity.



### **Cleaning and Storage**

Periodically wipe the case with a damp cloth and mild detergent; do not use abrasives or solvents.

If the meter will not be used for periods longer than 60 days, remove the batteries and store them separately.



## Descripción

Los medidores con pinza CM-660, CM-860, CM-960, CMH-600 y CMI-600 de Greenlee son unidades de prueba que caben perfectamente en la palma de la mano, capaces de efectuar los siguientes tipos de mediciones: Voltaje de CA y CC, corriente de CA, AmpTip™ para corriente de CA, frecuencia, detección de campos eléctricos (EF) sin contacto y resistencia. También sirven para verificar diodos y continuidad. Estos medidores están diseñados para ser colocados en o retirados de conductores con aislamiento o sin aislamiento.

Entre las funciones adicionales específicas para cada modelo se incluyen:

Función	CMI-600	CM-960	CMH-600	CM-860
Voltaje de CA + CC	•	•		
AmpTip™ para corriente de CC	•	•		
AmpTip™ para corriente de CC + CA	•	•		
Corriente de CC	•	•		
Corriente de $\mu$ CC	•		•	
Temperatura (termopar estilo K)	•		•	
Rotación del motor	•		•	
Rotación de fase	•		•	
Captura de RMS máximo	•	•	•	
Capacitancia	•	•	•	•
Luz de fondo	•	•	•	•
Modo Cero	•	•	•	•

Entre otras funciones se incluyen:

- Modo de Retención para capturar el valor de LCD presente
- Modo de Registro mínimo, máximo o promedio
- Apagado automático inteligente
- Escala automática

## Acerca de la seguridad

Es fundamental observar métodos seguros al utilizar y dar mantenimiento a las herramientas y equipo Greenlee. Este manual de instrucciones y todas las marcas que ostenta la herramienta le ofrecen la información necesaria para evitar riesgos y hábitos poco seguros relacionados con su uso. Siga toda la información sobre seguridad que se proporciona.

## Propósito de este manual

Este manual de instrucciones tiene como propósito familiarizar a todo el personal con los procedimientos de operación y mantenimiento seguros para los medidores con pinzas CM-660, CM-860, CM-960, CMH-600, y CMI-600 de Greenlee.

Manténgalo siempre al alcance de todo el personal. Puede obtener copias adicionales de manera gratuita, previa solicitud en [www.greenlee.com](http://www.greenlee.com).

## Importante Información sobre Seguridad



### SÍMBOLO DE ALERTA SOBRE SEGURIDAD

Este símbolo se utiliza para indicar un riesgo o práctica poco segura que podría ocasionar lesiones o daños materiales. Cada uno de los siguientes términos denota la gravedad del riesgo. El mensaje que sigue a dichos términos le indica cómo puede evitar o prevenir ese riesgo.

#### **PELIGRO**

Peligros inmediatos que, de no evitarse, OCASIONARÁN graves lesiones o incluso la muerte.

#### **ADVERTENCIA**

Peligros que, de no evitarse, PODRÍAN OCASIONAR graves lesiones o incluso la muerte.

#### **ATENCIÓN**

Peligro o prácticas peligrosas que, de no evitarse, PUEDEN OCASIONAR lesiones o daños materiales.



#### **ADVERTENCIA**

**Lea y entienda** este documento antes de manejar esta herramienta o darle mantenimiento. Utilizarla sin comprender cómo manejarla de manera segura podría ocasionar un accidente, y como resultado de éste, graves lesiones o incluso la muerte.



#### **ADVERTENCIA**

Peligro de electrocución:  
El contacto con circuitos activados podría ocasionar graves lesiones o incluso la muerte.



**¡No deseche ni descarte este producto!**

Para información sobre reciclaje, visite [www.greenlee.com](http://www.greenlee.com).

Todas las especificaciones son nominales y pueden cambiar conforme tengan lugar mejoras de diseño. Greenlee Tools, Inc. no se hace responsable de los daños que puedan surgir de la mala aplicación o mal uso de sus productos.

® Registrado: El color verde para instrumentos de verificación eléctricos es una marca registrada de Tools, Innovations Inc.

Amp-Tip es una marca comercial de BTC.

**CONSERVE ESTE MANUAL**

## Importante Información sobre Seguridad

### **⚠️ ADVERTENCIA**

Peligro de electrocución e incendio:

- No exponga esta unidad ni a la lluvia ni a la humedad.
- No utilice esta unidad si se encuentra mojada o dañada.
- Los medidores con pinza, las puntas de prueba o cualquier otro accesorio de cierre, cuando se utilizan para tomar una medición, crean un sistema. El sistema tiene capacidad nominal CAT III 600 V o CAT IV 300 V cuando se utilizan los cables de prueba o los accesorios suministrados con el medidor. El sistema CAT y la capacidad nominal de voltaje están limitados por el componente con capacidad mínima en el sistema cuando se utilizan cables de prueba o accesorios no suministrados con el medidor.
- Revise minuciosamente los cables de prueba o el accesorio, antes de utilizarlos. Deberán estar limpios y secos, y su forro aislante deberá estar en buenas condiciones. No use el cable de prueba si está visible la capa de aislamiento interior de contraste.
- Utilícela únicamente para el propósito para el que ha sido diseñada por el fabricante, tal como se describe en este manual. Cualquier otro uso puede menoscabar la protección proporcionada por la unidad.

De no observarse estas advertencias podrían sufrirse graves lesiones o incluso la muerte.

### **⚠️ ADVERTENCIA**

Peligro de electrocución:

- No aplique más del voltaje nominal entre dos terminales de entrada cualesquiera, o entre una terminal de entrada cualquiera y una conexión a tierra.
- Mantenga las manos y los dedos por debajo de las barreras en los cables de prueba y en el cuerpo del medidor con pinza.

De no observarse estas advertencias podrían sufrirse graves lesiones o incluso la muerte.

### **⚠️ ADVERTENCIA**

Peligro de electrocución:

- No haga funcionar esta unidad con la caja abierta.
- Antes de abrir la caja, retire del circuito los cables de prueba y apague la unidad.

De no observarse estas advertencias podrían sufrirse graves lesiones o incluso la muerte.

## Importante Información sobre Seguridad

### **ADVERTENCIA**

Peligro de electrocución:

- A menos que vaya a medir tensión, corriente o frecuencia, apague y bloquee la energía. Asegúrese de que todos los condensadores estén totalmente sin carga. No debe haber tensión alguna.
- Coloque el interruptor de selección y conecte los cables de prueba de modo que correspondan al tipo de medición que se desea efectuar. Los ajustes o conexiones incorrectos pueden resultar en mediciones incorrectas o daños en la unidad.
- Al utilizar esta unidad cerca de equipo que genere interferencia electromagnética quizá se obtenga una lectura inexacta e inestable.

De no observarse estas advertencias podrían sufrirse graves lesiones o incluso la muerte.

### **ATENCIÓN**

Peligro de electrocución:

- No cambie la función de medición mientras los cables de prueba estén conectados a un componente o circuito.
- No coloque la mordaza de la abrazadera alrededor de un conductor que porte una frecuencia mayor de 400 Hz. Los circuitos magnéticos podrían alcanzar una temperatura peligrosa si se excede esta frecuencia.

De no observarse estas precauciones podrían sufrirse lesiones o daños a la unidad.

### **ATENCIÓN**

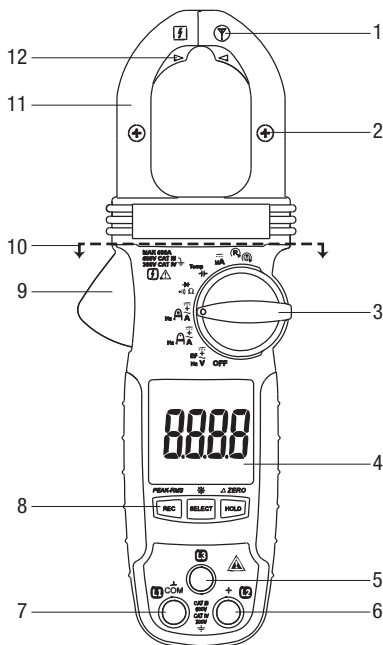
Peligro de electrocución:

- No intente reparar esta unidad, ya que contiene partes que deben recibir mantenimiento por parte de un profesional.
- No exponga la unidad a ambientes de temperatura extrema o altos niveles de humedad. Consulte las Especificaciones.

De no observarse estas precauciones podrían sufrirse lesiones o daños a la unidad.

## Identificación

1. Antena para detección de EF sin contacto
2. Indicador central en la mordaza para mejor precisión de corriente; indicador de polaridad para amperios de CC
3. Selecciona una función o apaga la unidad
4. LCD
5. Conector de entrada para las funciones de rotación de motor y fase únicamente
6. Terminal de entrada positiva; entrada L2 para rotación de motor y fase
7. Terminal de entrada negativo, común o conexión a tierra; entrada L1 para rotación de motor y fase
8. Consulte la explicación pertinente en la sección "Cómo utilizar las distintas funciones"
9. Palanca de mordaza
10. Mantenga la mano o los dedos por debajo de la línea de puntos durante la operación.
11. Mordaza
12. Indicador de centro para la función AmpTip™

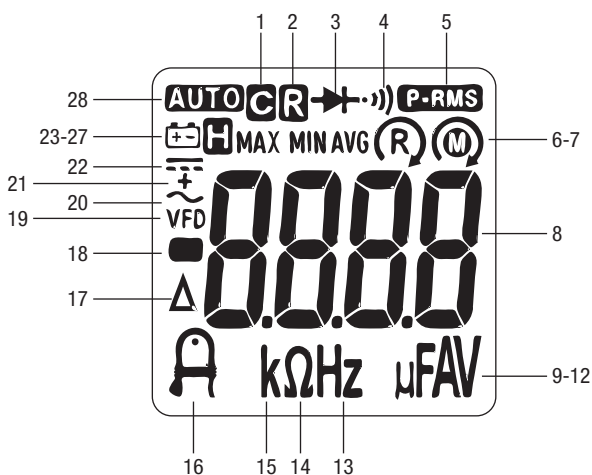


## Símbolos en la unidad

- Advertencia — Lea el manual de instrucciones
- Advertencia — Peligro de electrocución
- Conexión a tierra
- Doble forro aislante
- CA (corriente alterna)
- CC (corriente continua)
- Se permite la aplicación o el retiro de la unidad alrededor de conductores energizados peligrosos.

## Iconos de la pantalla

1. **AUTO** Está habilitada la selección automática de escala.
2. **R** Está habilitada la función Record (Grabar).
3. **→+** Diodo
4. **•))** Continuidad
5. **P-RMS** Está habilitado el modo PEAK-RMS.
6. **(R)** Suministro principal de rotación de fase
7. **(M)** Rotación del motor
8. **8.8.8.8** Pantalla numérica
9. **μ** Micro ( $10^{-6}$ )
10. **F** Faradio
11. **A** Amperio
12. **V** Voltio
13. **Hz** Hertzios (frecuencia en ciclos por segundo)
14. **Ω** Ohmios
15. **k** Kilo ( $10^3$ )
16. **A** AEstá habilitada la función AmpTip™.
17. **Δ** Está habilitada la función Cero relativo (Relative zero).
18. **-** Indicador de polaridad
19. **VFD** Medición de CA con filtro para precisión en variadores de frecuencia
20. **~** Está seleccionada la medición de CA.
21. **+** Está seleccionada la medición de CA + CC.
22. **≡** Está seleccionada la medición de CC.
23. **+** Bateria baja
24. **H** Está seleccionada la función Hold (Retención de datos en pantalla).
25. **MAX** Aparece el valor máximo
26. **MIN** Aparece el valor mínimo
27. **AVG** Aparece el valor promedio






## Cómo utilizar las distintas funciones

### Todos los modelos

- **REC:** Oprima momentáneamente este botón para activar el modo de grabación MAX/MIN/AVG. **3** y “MAX MIN AVG” aparecerán en la pantalla. El medidor emite un tono audible siempre que se actualice la lectura de valor máximo o mínimo. La lectura promedio se calcula en el transcurso del tiempo. Oprima momentáneamente el botón para leer en secuencia los valores MAX, MIN y AVG. Oprima el botón durante 1 segundo para salir del modo de grabación MAX/MIN/AVG. En este modo APO se inhabilita automáticamente.
- **SELECT:** Oprímalo momentáneamente para alternar entre las funciones, modos de medición o modos de pantalla. El último ajuste utilizado se convierte en el valor por defecto cuando se vuelva a seleccionar dicha función. Para cambiar el valor por defecto, seleccione un nuevo ajuste. El ajuste será almacenado en una memoria estable.
- **HOLD:** Oprima momentáneamente para retener en pantalla el valor actual. Oprímalo nuevamente para salir de este modo.
- **Apagado automático inteligente (APO):** El medidor se apaga automáticamente después de aproximadamente 32 segundos de inactividad a fin de preservar la vida útil de la batería. La función activa del medidor se especifica como: Se gira el interruptor selector o se presionan los botones pulsadores; las lecturas por encima de 8.5% de la escala; lecturas de no OL para resistencia, continuidad, o función de diodos, lecturas diferentes de cero para la función HZ; rotación de fase de segmentos en movimiento. Para activar el medidor desde el apagado automático APO, oprima momentáneamente el botón **SELECT** y suéltelo o gire el interruptor rotativo a la posición **OFF** y después de regreso a la posición de encendido ON. Siempre gire el interruptor rotativo a la posición **OFF** cuando el medidor no esté en uso.

### CM-860, CM-960, CMH-600, y CMI-600 solamente

-  : Oprima el botón **SELECT** durante 1 segundo para alternar la luz de fondo de la pantalla LCD. La luz de fondo se apagará automáticamente después de 32 segundos para prolongar la vida útil de la batería.
- **Δ:** Oprima el botón **Δ** durante 1 segundo para alternar entre cero y modo normal. En el modo cero el valor en la pantalla LCD cuando se oprime el botón se convierte en la desviación. A medida que cambia el valor de entrada, se resta la desviación del valor actual. Este valor modificado se muestra en la pantalla LCD.





*Nota: La operación Δ cuando se seleccionan las funciones DCA o CC + CAA compensa cualquier histéresis magnética en la mordaza. Si la lectura de DCA o CC + CAA antes de la medición no es cero, entonces oprima el botón Δ durante 1 segundo. En la pantalla LCD aparecerá “dc\_0”. Cuando este valor desaparezca, el medidor estará listo para la operación. Cuando la lectura de medición sea mayor de 5 A, se inhabilita este modo. A manera de indicación el medidor emitirá tres pitidos.*

### CM-960, CMH-600, y CMI-600 solamente

- **PEAK-RMS (Máximo valor eficaz [RMS]):** Oprima el botón **PEAK-RMS** durante 1 segundo para activar el modo PEAK-RMS y capturar la corriente pico o voltaje con duraciones de tan solo 80 ms. Aparece el **P-RMS** en la pantalla. Oprima el botón durante 1 segundo para salir del modo PEAK-RMS. En este modo APO se inhabilita automáticamente.

## Cómo utilizar las distintas funciones (continuación)

### CMH-600 y CMI-600 solamente

-  y : Si se desea, oprima sin soltar el botón **REC** a la vez que enciende el medidor para habilitar la función Beeper (Señal audible). Si los segmentos indican un movimiento hacia la derecha, la señal audible emitirá un solo pitido prolongado por ciclo de segmento. Si los segmentos indican un movimiento hacia la izquierda, la señal audible emitirá tres pitidos cortos por ciclo de segmento.
- : Asegúrese que el motor esté eléctricamente aislado de su fuente de alimentación. Oprima el botón **SELECT** momentáneamente para seleccionar la función Motor. Conecte el medidor al motor según se describe en la sección “Tabla de ajustes” en este manual. Desde la perspectiva de arriba hacia abajo, gire el eje del motor hacia la derecha. Si el medidor indica un movimiento hacia la derecha, los cables de prueba del motor conectados a L1, L2 y L3 del medidor son T1, T2 y T3, respectivamente. Si el medidor indica un movimiento hacia la izquierda, intercambie cualesquiera dos conexiones entre el medidor y el motor. Después repita la prueba.
- : Oprima el botón **SELECT** momentáneamente para seleccionar la función Fase. Conecte el medidor a las fases según se describe en la sección “Tabla de ajustes” en este manual. Si el medidor indica un movimiento hacia la derecha, las fases conectadas a L1, L2 y L3 del medidor son L1, L2 y L3, respectivamente. Si el medidor indica un movimiento hacia la izquierda, intercambie cualesquiera dos conexiones entre el medidor y las fases. Después repita la prueba.

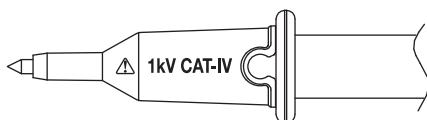
## Cómo utilizar los cables de prueba

### **ADVERTENCIA**

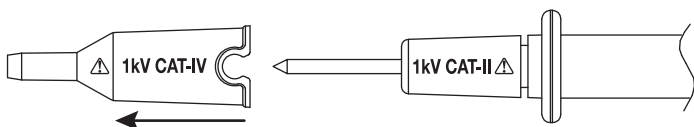
Peligro de descarga eléctrica:

Los cables de prueba suministrados con este producto cumplen con las normativas de seguridad que limitan la longitud expuesta de la punta de la sonda a 4 mm para mediciones en las categorías III y IV. Estos cables de prueba incluyen una tapadera que debe estar colocada en posición cuando se utilizan en aplicaciones con categoría de medición III o IV.

De no observarse esta advertencia podrían sufrirse lesiones graves o incluso la muerte.



**La tapadera debe estar en posición para aplicaciones con categoría de medición III o IV.**



**Se puede retirar la tapadera para aplicaciones con categoría de medición I o II.**

## Medición de corriente alterna


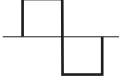


Las mediciones de corriente alterna generalmente se muestran como valores eficaces (RMS o root mean squared). El valor eficaz equivale al valor de una forma de onda de CC, la cual brinda la misma potencia que si reemplazara la forma de onda variable con el tiempo. Existen dos métodos de medición de corriente alterna: calibrados para responder al valor eficaz medio y a una lectura de valores eficaces reales.

El método calibrado para responder al valor eficaz medio toma el valor medio de la señal de entrada luego de una rectificación total de onda, la multiplica por 1,11 y muestra el resultado. El resultado es exacto si la señal de entrada es una onda sinusoidal pura.

El método de lectura de valores eficaces reales utiliza un circuito interno para leer el valor eficaz real. Este método es exacto, dentro de las limitaciones de factor de cresta especificadas, independientemente del tipo de señal de entrada, ya sea una onda sinusoidal pura, rectangular, triangular, media onda o señal con armónicas. La capacidad para leer valores eficaces reales brinda una mayor versatilidad de medición. Los modelos CM-660, CM-860, CM-960, CMH-600, y CMI-600 de Greenlee son medidores de RMS reales.

La tabla de Formas de onda y Factores de cresta muestra algunas de las señales de CA y sus valores eficaces reales más comunes.

### Formas de onda y Factores de cresta

<b>Forma de onda</b>				
<b>Valor eficaz</b>	100	100	100	100
<b>Valor medio</b>	90	100	87	64
<b>Factor de cresta* (ξ)</b>	1,414	1	1,73	2

\* El factor de cresta es el cociente de un valor máximo en relación con el valor eficaz; está representado por la letra griega ξ.

## Valor eficaz real CA + CC

El valor eficaz real CA + CC calcula los componentes de CA y CC expresados

$$\sqrt{(CA \text{ rms})^2 + CC^2}$$

al efectuar mediciones y responde acertadamente al valor eficaz efectivo total independientemente de la forma de onda. Formas de onda distorsionadas con la presencia de componentes de CC y armónicas podrían ocasionar:


- el sobrecalentamiento de transformadores, generadores y motores
- el disparo prematuro de interruptores automáticos de circuito
- que fusibles se quemen
- el sobrecalentamiento de neutrales debido a la presencia de armónicas triples en el neutral
- la vibración de barras colectoras y paneles eléctricos

Los modelos CM-960 y CMI-600 pueden configurarse para mostrar RMS reales de CA o RMS reales de CA + CC.

## Ancho de banda de CA

El ancho de banda de CA es la escala de frecuencias sobre la cual se puede realizar mediciones de CA dentro de las tolerancias de precisión especificadas. Se trata de la respuesta de frecuencia de las funciones de CA—no de las funciones de medición de frecuencia. Un medidor no puede medir con precisión los valores de CA si los espectros de frecuencia están fuera de su ancho de banda. Las formas de onda complejas, el ruido y las formas de onda distorsionadas contienen componentes de frecuencia mucho mayores que los fundamentales; por ejemplo, ruido de alta frecuencia en una línea de energía de 50/60 Hz.

## Operación

	<b>⚠ ADVERTENCIA</b>
	Peligro de electrocución: El contacto con circuitos activados podría ocasionar graves lesiones o incluso la muerte.

### Procedimiento de operación

1. Consulte la Tabla de ajustes. Coloque el interruptor de selección en el ajuste apropiado, oprima **SELECT** (cuando se le pida que lo haga), y conecte los cables de prueba al multímetro.
2. Consulte la sección “Mediciones más comunes” en relación con las instrucciones específicas para cada tipo de medición.
3. Pruebe la unidad en un circuito o componente que se sabe está funcionando perfectamente.
  - Si la unidad no funciona como debería en un circuito que se sabe está funcionando perfectamente, reemplace las baterías.
  - Si la unidad aún sigue sin funcionar como debería, llame a Greenlee al 800-435-0786 para obtener asistencia técnica.
4. Anote la lectura del circuito o componente que se está verificando.

## Operación (continuación)

Tabla de ajustes

Para medir este valor ...	Coloque el interruptor de selección en este símbolo...	Enseguida aparecen estos iconos en la pantalla...	Conecte el cable de prueba rojo a ...	Conecte el cable de prueba negro a ...
<b>TODOS LOS MODELOS</b>				
Voltaje (CA)			+	COM
Voltaje (CC)			+	COM
Corriente, AmpTip™ (CA)			N/A	N/A
Corriente alterna (CA)			N/A	N/A
Continuidad			+	COM
Resistencia			+	COM
Diodo			+	COM
Frecuencia	<b>Hz</b>	<b>Hz</b>	+	COM
Campo eléctrico (EF)*	<b>EF</b>	<b>EF</b>	N/A	COM
<b>CM-860, CM-960, CMH-600, y CMI-600 solamente</b>				
Capacitancia**			+	COM
<b>CM-960 y CMI-600 solamente</b>				
Voltaje (CA + CC)			+	COM
Corriente, AmpTip™ (CC)			N/A	N/A
Corriente, AmpTip™ (CA + CC)			N/A	N/A
Corriente (CC)			N/A	N/A
Corriente (CA + CC)			N/A	N/A
<b>CMH-600 y CMI-600 solamente</b>				
Temperatura	<b>Temp</b>	<b>C or F</b>	***	
Corriente (μCC)			+	COM
Rotación de fase†			+	COM
Rotación del motor†			+	COM

\* Use el lado superior de la mordaza estacionaria, o para mediciones de mayor precisión use una sonda en el terminal COM.

\*\* Descargue el condensador antes de efectuar una medición. Consulte “Mediciones típicas” respecto a los capacitores polarizados.

\*\*\* Termopar + conexiones a +, termopar – conexiones a COM.

† El cable amarillo se conecta a L3.

## Mediciones típicas y precisión

Consulte la sección “Especificaciones” en relación con las condiciones de operación y el coeficiente de temperatura.

La precisión se especifica de la siguiente manera:  $\pm$  (un porcentaje de la lectura + una cantidad fija) a  $23\text{ }^{\circ}\text{C} \pm 5\text{ }^{\circ}\text{C}$  ( $73,4\text{ }^{\circ}\text{F} \pm 9\text{ }^{\circ}\text{F}$ ).

La frecuencia debe hallarse dentro del ancho de banda especificado para formas de onda no sinusoidales. Los factores de cresta, salvo que se especifique de manera diferente, son de la manera siguiente:

- Factor de cresta  $< 2,5:1$  a plena escala
- Factor de cresta  $< 5,0:1$  a escala media

### Frecuencia

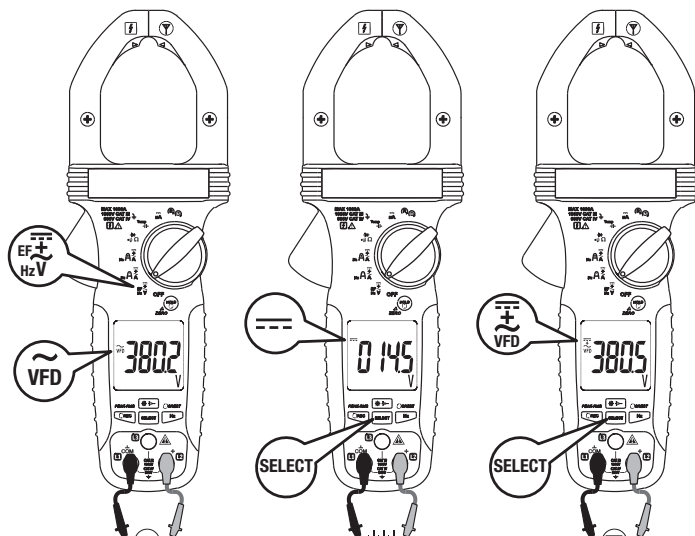
Función	Sensibilidad (sinusoidal RMS)*	Escala
600 V	50 V	5,00 Hz ~ 999,9 Hz
60,0 A AmpTip™	40 A	50,00 Hz ~ 400,0 Hz
60,00 A, 600,0 A	40 A	50,00 Hz ~ 400,0 Hz

\* La desviación de CC debe ser menor que el 50% del valor sinusoidal RMS.

### Precisión de la escala de frecuencias

Escala de la pantalla	Precisión
XX.XX	$\pm (1,0\% + 0,05\text{ Hz})$
XXX.X	$\pm (1,0\% + 0,5\text{ Hz})$

## Medición de voltaje



### Voltaje de CA

Escala	Precisión a 50 Hz a 60 Hz
600,0	$\pm (1,0\% + 0,5\text{ V})$

### Voltaje de CC

Escala	Precisión
600,0	$\pm (1,0\% + 0,5\text{ V})$

### Voltaje de CA + CC (CM-960 y CMI-600 solamente)

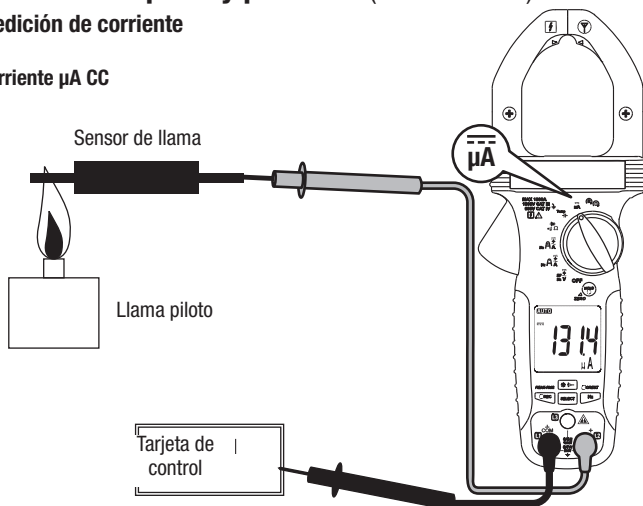
Escala	Precisión en CC, 50 Hz a 60 Hz
600,0	$\pm (1,2\% + 0,7\text{ V})$

Impedancia de entrada: 10 M $\Omega$ , 100 pF nominal

## Mediciones típicas y precisión (continuación)

### Medición de corriente

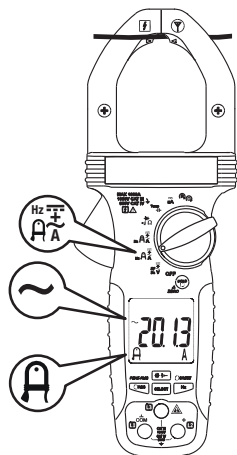
#### Corriente $\mu\text{A}$ CC



#### Corriente de $\mu\text{CC}$ (CMH-600 y CMI-600 solamente)

Escala	Precisión	Voltaje de carga
200,0 $\mu\text{A}$	$\pm (1,0\% + 0,5 \mu\text{A})$	
2000 $\mu\text{A}$	$\pm (1,0\% + 5 \mu\text{A})$	3,5 mV/ $\mu\text{A}$

#### Función AmpTip™



#### Corriente de CA AmpTip™

Escala	Escala de precisión	Precisión a 50 Hz a 60 Hz**
60,00 A	< 0,20 A*	No especificada
	0,00 A a 3,99 A	$\pm (1,5\% + 0,15 \text{ A})$
	4,00 A a 60,00 A	$\pm (1,5\% + 0,05 \text{ A})$

\* Para CM-660, CM-860 y CMH-600 solamente.

\*\* Para CM-960 y CMI-600 solamente, el error inducido por conductores adyacentes portadores de corriente es < 0,01 A/A.

#### Corriente de CC AmpTip™ (CM-960 y CMI-600 solamente)

Escala	Escala de precisión	Precisión†
60,00 A	0,00 A a 3,99 A	$\pm (2,0\% + 0,15 \text{ A})$
	4,00 A a 60,00 A	$\pm (2,0\% + 0,05 \text{ A})$

#### Corriente de CC + CA AmpTip™ (CM-960 y CMI-600 solamente)

Escala	Escala de precisión	Precisión en CC, 50 Hz a 60 Hz†
60,00 A	0,00 A a 3,99 A	$\pm (2,0\% + 0,17 \text{ A})$
	4,00 A a 60,00 A	$\pm (2,0\% + 0,07 \text{ A})$

† El error inducido para conductores adyacentes portadores de corriente es < 0,01 A/A.

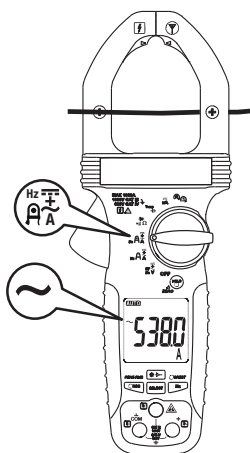
Nota: Use  $\Delta$  si hay una desviación antes de que se tome la medición.

## Mediciones típicas y precisión (continuación)

### Medición de corriente

(continuación)

#### Pinza para CA y CC



#### Corriente de CA (CM-960 y CMI-600 solamente)

Escala	Escala de precisión	Precisión a 50 Hz a 100 Hz*†	Precisión a 100 Hz a 400 Hz*†
60,00 A	0,00 A a 8,99 A	± (1,8% + 0,15 A)	± (2,0% + 0,15 A)
	9,00 A a 60,00 A	± (1,8% + 0,05 A)	± (2,0% + 0,05 A)
600,0 A	60,0 A a 600,0 A	± (1,8% + 0,5 A)	± (2,0% + 0,5 A)

\* Factor de cresta máximo < 2:1 a escala completa y < 4:1 a media escala.

#### Corriente de CA (CM-660, CM-860, y CMH-600 solamente)

Escala	Escala de precisión	Precisión a 50 Hz a 100 Hz*†	Precisión a 100 Hz a 400 Hz*†
60,00 A	0,00 A a 0,19 A	No especificada	No especificada
	0,20 A a 5,99 A	± (1,8% + 0,15 A)	± (2,0% + 0,15 A)
	6,00 A a 60,00 A	± (1,8% + 0,05 A)	± (2,0% + 0,05 A)
600,0 A	60,0 A a 600,0 A	± (1,8% + 0,5 A)	± (2,0% + 0,5 A)

\* Para cualquier medición, cuando el conductor no esté posicionado en el centro de las mordazas, agregue 2,0% a la precisión para compensar el error de posición.

#### Corriente de CC (CM-960 y CMI-600 solamente)

Escala	Escala de precisión	Precisión†
60,00 A	0,00 A a 8,99 A	± (2,0% + 0,15 A)
	9,00 A a 60,00 A	± (2,0% + 0,05 A)
600,0 A	60,0 A a 600,0 A	± (2,0% + 0,5 A)

#### Corriente de CA + CC (CM-960 y CMI-600 solamente)

Escala	Escala de precisión	Precisión a 50 Hz a 100 Hz†	Precisión a 100 Hz a 400 Hz†
60,00 A	0,00 A a 8,99 A	± (2,2% + 0,15 A)	± (2,7% + 0,17 A)
	9,00 A a 60,00 A	± (2,2% + 0,05 A)	± (2,7% + 0,07 A)
600,0 A	60,0 A a 600,0 A	± (2,2% + 0,5 A)	± (2,7% + 0,7 A)

† El error inducido para conductores adyacentes portadores de corriente es < 0,01 A/A.

Nota: Use Δ si hay una desviación antes de que se tome la medición.



## Mediciones típicas y precisión (continuación)

### Medición de resistencia



### Resistencia

Escala	Precisión
600,0 Ω	± (1,0% + 0,5 Ω)
6,000 kΩ	± (1,0% + 0,005 kΩ)
60,00 kΩ	± (1,0% + 0,05 kΩ)

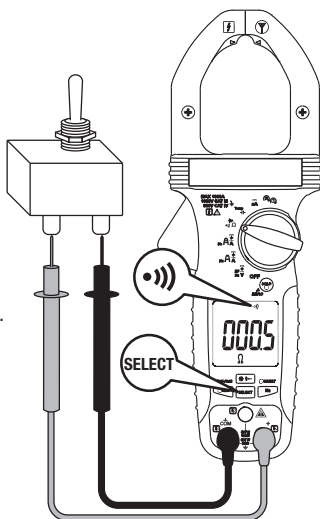
Voltaje de circuito abierto: 1,0 V CC

### Verificación de continuidad

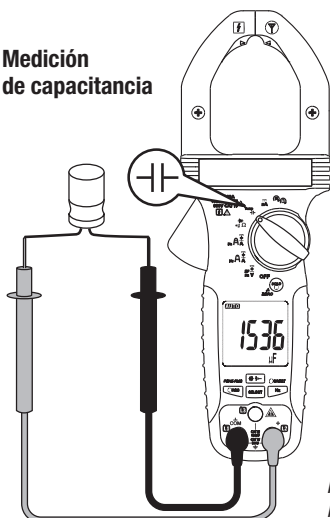
#### Continuidad

Umbral de tono: Entre 10 Ω y 250 Ω

Tiempo de respuesta: Aproximadamente 32 ms.



### Medición de capacitancia



### Capacitancia (CM-860, CM-960, CMH-600, y CMI-600 solamente)

Escala	Precisión*
200,0 μF	± (2,0% + 0,4 μF)
2500 μF	± (2,0% + 4 μF)

\* Para los capacitores de película (capacitores con absorción dieléctrica insignificante).

*Nota: Para condensadores polarizados, conecte la sonda roja al terminal positivo y la sonda negra al terminal negativo del condensador.*

## Mediciones típicas y precisión (continuación)

### Verificación de diodo

#### Verificación de diodos

Escala de medición: 2,000 V

Precisión:  $\pm (1,5\% + 0,005 \text{ V})$

Corriente de prueba (típica): 0,3 mA

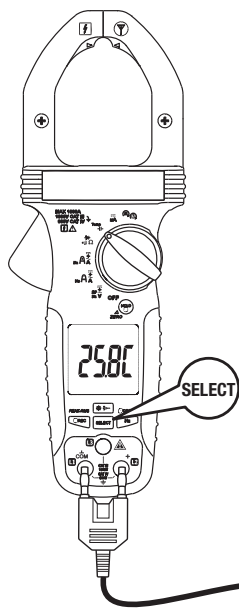
Voltaje de circuito abierto (típica):  
 $< 3,5 \text{ V CC}$

Polarización  
inversa

Polarización  
directa

SELECT

### Temperatura



#### Temperatura (CMH-600 y CMI-600)

Escala	Precisión*
-40,0 °C ~ 99,9 °C	$\pm (1,0\% + 0,8 \text{ °C})$
100 °C ~ 400 °C	$\pm (1,0\% + 1 \text{ °C})$
-40,0 °F ~ 211,8 °F	$\pm (1,0\% + 1,5 \text{ °F})$
212 °F ~ 752 °F	$\pm (1,0\% + 2 \text{ °F})$

\* La precisión del termopar tipo K no está incluida. Los termopares suministrados con el medidor cumplen las normativas JIS C 16021981.

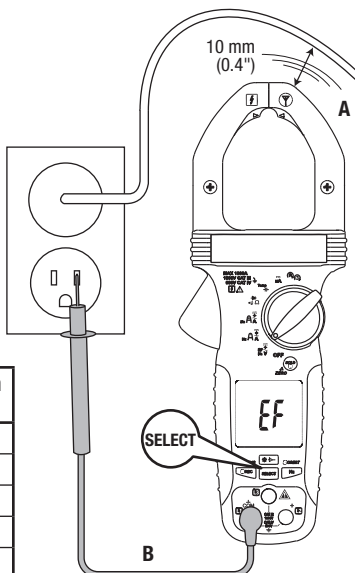
## Mediciones típicas y precisión (continuación)

### Campo eléctrico

*Nota: CM-660 y CM-860 tienen una posición dedicada de interruptor.*

#### Detección de EF sin contacto

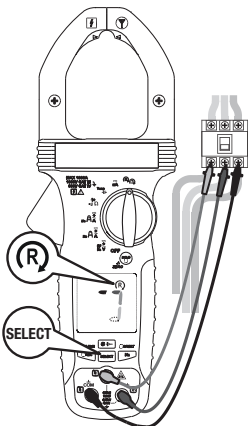
Voltaje típico	Escala de 50 Hz a 60 Hz	Indicación en LCD
20 V	10 V ~ 36 V	-
55 V	23 V ~ 83 V	--
110 V	59 V ~ 165 V	---
220 V	124 V ~ 330 V	----
440 V	250 V ~ 600 V	-----



A—Sin contacto **O BIEN**

B—Con contacto, medición de precisión

### Rotación de fase



Clockwise

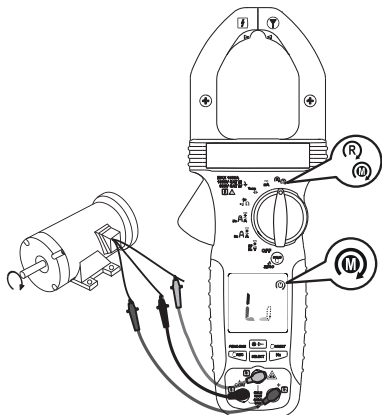


Counterclockwise

A la derecha

A la izquierda

### Rotación del motor



## Especificaciones

Pantalla: LCD, 3-5/6 dígitos 6000 puntos

Polaridad: Automática

Frecuencia de actualización: 5 por segundo, nominal

Condiciones de funcionamiento:

0 °C a 31 (32 °F a 88 °F), 0% a 80% de humedad relativa

31 °C a 40 (88 °F a 104 °F), humedad relativa disminuyendo linealmente de 80% a 50%

Grado de contaminación: 2

Uso en interiores únicamente

Altitud: Funcionando por debajo de 2000 m (6500 pies)

Temperatura de almacenamiento: -20 °C a 60 °C, humedad relativa < 80%, sin baterías

Coefficiente de temperatura: Nominal 0,15 x (Precisión) por °C debajo de 18 °C desde 0 °C hasta 18 °C (32 °F hasta 64,4 °F) y por encima de 28 °C, desde 28 °C hasta 40 °C (82,4 °F hasta 104 °F) a menos que se especifique de manera diferente

Detección: Valores eficaces (RMS) reales

E.M.C.:

Cumple EN61326-1:2006 (EN55022, EN61000-3-2, EN61000-3-3, EN61000-4-2, EN61000-4-3, EN61000-4-4, EN61000-4-5, EN61000-4-6, EN61000-4-8, EN61000-4-11)

En un campo de RF de 1 V/m a una frecuencia de 405 MHz, CC A y modo CC+CA A (CM-960 y CMI-960): Precisión total = Precisión especificada + 20 dígitos

En un campo de RF de 1 V/m, modo Resistencia (todos los modelos) y modo  $\mu$ A CC (CMH-600 y CMI-600): Precisión total = Precisión especificada + 25 dígitos

En un campo de RF de 3 V/m, y todos los otros modos y modelos no especificados anteriormente: Precisión total = Precisión especificada + 20 dígitos

Seguridad: Doble aislamiento según UL/IEC/EN61010-1 Ed. 3, IEC/EN61010-2-033 Ed. 1, CAN/CSA C22.2 No. 61010-1 Ed. 3, IEC/EN61010-2-032 Ed. 2 y IEC/EN61010-031 Ed. 1.1 para CAT III 600 V y CAT IV 300 V CA y CC

Protecciones contra sobrecarga:

Mordazas:

Función Corriente con frecuencia: 600 A CC/CA RMS a  $\leq$  400 Hz

Terminales:

Función Voltaje y Rotación de fase: 660 V CC/920 V CA RMS

Todos los otros modos y funciones: 600 V CC/CA RMS

Protección contra corrientes transitorias: 6,0 kV (1,2/50  $\mu$ s sobrevoltaje)

Fuente de alimentación: Dos baterías de 1,5 V AAA (NEDA 24 A o IEC LR03)

Batería baja:

Función Capacitancia y Frecuencia: Aproximadamente 2,85 V

Toda otra función: Aproximadamente 2,5 V

Consumo de corriente:

CM-960 y CMI-600: Típicamente 13 mA

CM-660, CM-860 y CMH-600: Típicamente 4,3 mA

Sincronización de APO: Marcha en vacío durante 32 minutos

Consumo de APO: 5  $\mu$ A típico

Dimensiones:

CM-960 y CMI-600: 222 mm x 76 mm x 37 mm (8,7 pulg. x 3,0 pulg. x 1,4 pulg.)

CM-660, CM-860 y CMH-600: 217 mm x 76 mm x 37 mm (8,5 pulg. x 3,0 pulg. x 1,4 pulg.)

Apertura de mordazas y diámetro del conductor: 30 mm máx. (1,18 pulg.)

## Categorías de medición

Las siguientes definiciones proceden de la norma de seguridad internacional sobre la coordinación de aislamientos tal y como se aplica a equipos de medición, control y laboratorio. En las publicaciones IEC 61010-1 y IEC 60664 de la International Electrotechnical Commission (Comisión Electrotécnica Internacional) se detallan más a fondo estas categorías de medición.

### Categoría de medición II

Nivel local. Aparatos eléctricos, equipo portátil, y los circuitos a los que están conectados. Como ejemplo pueden citarse dispositivos de iluminación, televisores y circuitos de rama larga.

### Categoría de medición III

Nivel de distribución. Máquinas instaladas permanentemente y los circuitos a los que están cableados. Como ejemplo pueden citarse sistemas conductores y los paneles del interruptor automático principal del sistema eléctrico de un edificio.

### Categoría de medición IV

Nivel de abastecimiento primario. Líneas aéreas y otros sistemas de cable. Como ejemplo pueden citarse cables, medidores, transformadores y cualquier otro equipo exterior perteneciente a la empresa de servicio eléctrico.

## Certificado de Conformidad

Greenlee Tools, Inc. cuenta con certificación conforme a ISO 9001 (2000) para nuestros Sistemas de Gerencia de Calidad.

El instrumento provisto ha sido inspeccionado y/o calibrado mediante el uso de equipo reconocido por el Instituto Nacional de Normas y Tecnologías (National Institute for Standards and Technology [NIST]).

## Mantenimiento

### **⚠️ ADVERTENCIA**

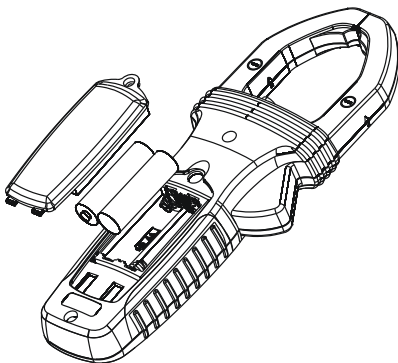
Peligro de electrocución:

Antes de abrir la caja, retire del circuito los cables de prueba y apague la unidad.

De no observarse esta advertencia podrían sufrirse graves lesiones o incluso la muerte.

### **Reemplazo de las baterías**

1. Desconecte la unidad del circuito. Apague (OFF) la unidad.
2. Extraiga los dos tornillos de la puerta de acceso a la batería y retírela.
3. Cambie las baterías y verifique la polaridad, limpieza y almacenamiento.



### **Limpieza y almacenamiento**

Limpie periódicamente la caja utilizando un paño húmedo y detergente suave; no utilice abrasivos ni solventes.

Si el medidor no se utilizará durante períodos de más de 60 días, extraiga la batería y guárdela separadamente.

## Description

Les contrôleurs à pince CM-660, CM-860, CM-960, CMH-600 et CMI-600 de Greenlee sont des appareils de contrôle portables offrant les capacités de mesure suivantes : tension alternative et continue, intensité alternative, AmpTip™ pour intensité alternative, fréquence, détection de champ électrique (EF) sans contact et résistance. Ils permettent également la vérification de diodes et les contrôles de continuité. Ces contrôleurs sont conçus pour être utilisés sur des conducteurs isolés ou non isolés.

### Fonctionnalités supplémentaires propres à certains modèles :

Fonction	CMI-600	CM-960	CMH-600	CM-860
Tension alternative + continue	•	•		
AmpTip™ pour intensité continue	•	•		
AmpTip™ pour intensité cont. + alt.	•	•		
Intensité continue	•	•		
Micro-intensité continue	•		•	
Température (thermocouple de type K)	•		•	
Rotation de moteur	•		•	
Rotation de phase	•		•	
Saisie de valeurs efficaces de crête	•	•	•	
Capacité	•	•	•	•
Rétroéclairage	•	•	•	•
Mode zéro	•	•	•	•

### Autres capacités :

- Mode de maintien pour saisir la valeur affichée en cours
- Mode d'enregistrement de minimum, maximum ou moyenne
- Mise hors tension automatique intelligente
- Sélection automatique du calibre

## Sécurité

Lors de l'utilisation et de l'entretien des outils et des équipements de Greenlee, votre sécurité est une priorité. Ce manuel d'instructions et toute étiquette sur l'outil fournit des informations permettant d'éviter des dangers ou des manipulations dangereuses liées à l'utilisation de cet outil. Suivre toutes les consignes de sécurité indiquées.

## Dessein de ce manuel

Ce manuel a pour objet de familiariser l'utilisateur avec les procédures préconisées pour une utilisation et un entretien sans danger des contrôleurs à pince CM-660, CM-860, CM-960, CMH-600, et CMI-600 de Greenlee.

Mettre ce manuel à la disposition de tous les employés. On peut obtenir des exemplaires gratuits sur simple demande sur le site Web [www.greenlee.com](http://www.greenlee.com).

## Consignes de sécurité importantes



### SYMBOLE D'AVERTISSEMENT

Ce symbole met en garde contre les risques et les manipulations dangereuses pouvant entraîner des blessures ou l'endommagement du matériel. Le mot indicateur, défini ci-dessous, indique la gravité du danger. Le message qui suit le mot indicateur indique comment empêcher le danger.

#### **DANGER**

Danger immédiat qui, s'il n'est pas pris en considération ENTRAÎNERA des blessures graves, voire mortelles.

#### **AVERTISSEMENT**

Danger qui, s'il n'est pas pris en considération, POURRAIT entraîner des blessures graves, voire mortelles.

#### **ATTENTION**

Dangers ou manipulations dangereuses qui, s'ils ne sont pas pris en considération, POURRAIENT EVENTUELLEMENT entraîner des dommages à la propriété ou causer des blessures.



#### **AVERTISSEMENT**

**Lire attentivement et bien comprendre** cette documentation avant d'utiliser ou de procéder à l'entretien de cet équipement. Négliger de comprendre comment utiliser cet outil en toute sécurité pourrait provoquer un accident et entraîner des blessures graves, voire mortelles.



#### **AVERTISSEMENT**

Risque de décharge électrique :  
Un contact avec des circuits sous tension pourrait entraîner des blessures graves, voire mortelles.



**Ne pas se débarrasser de ce produit ou le jeter !**

Pour des informations sur le recyclage, visiter [www.greenlee.com](http://www.greenlee.com).

Toutes les spécifications sont nominales et peuvent changer avec l'amélioration de la conception. Greenlee Tools, Inc. ne peut être tenue responsable des dommages résultant d'une application inappropriée ou d'un mauvais usage de ses produits.

© Déposé : La couleur verte des instruments de vérification électrique est une marque déposée de Tools, Innovations Inc.

AmpTip est une marque de commerce de BTC.

**CONSERVER CE MANUEL**



## Consignes de sécurité importantes

### **⚠️ AVERTISSEMENT**

Risques de décharge électrique et d'incendie :

- Ne pas exposer cet appareil à la pluie ou à l'humidité.
- Ne pas utiliser cet appareil s'il est mouillé ou endommagé.
- Le contrôleur à pince, les fils de mesure ou tout autre accessoire de la pince, lorsqu'ils sont utilisés pour effectuer une mesure, constituent un système. Ce système est classé CAT III 600 V ou CAT IV 300 V si les fils de mesure ou les accessoires fournis avec l'appareil sont utilisés. La catégorie (CAT) et la classe de tension du système sont limités par l'élément du système de classe la plus basse en cas d'utilisation de fils de mesure ou d'accessoires non fournis avec l'appareil
- Vérifier les fils de mesure ou l'accessoire avant de les utiliser. Ils doivent être propres et secs et l'isolation doit être en bon état. Ne pas utiliser un fil de mesure si la gaine isolante intérieure de couleur contrastée est visible.
- Utiliser cet appareil uniquement dans le but pour lequel il a été conçu, tel que décrit dans ce manuel. Toute autre utilisation peut altérer le système de protection de cet appareil.

L'inobservation de ces consignes pourrait entraîner des blessures graves, voire mortelles.

### **⚠️ AVERTISSEMENT**

Risques de décharge électrique :

- Ne pas appliquer plus que la tension nominale entre deux bornes d'entrée, ou entre une borne d'entrée et une prise de terre.
- Tenir les mains et les doigts en dessous des gardes sur les fils de mesure et le corps du contrôleur à pince.

L'inobservation de ces consignes pourrait entraîner des blessures graves, voire mortelles.

### **⚠️ AVERTISSEMENT**

Risques de décharge électrique :

- Ne pas utiliser lorsque le boîtier est ouvert.
- Avant d'ouvrir le boîtier, retirer les fils d'essai du circuit et mettre l'appareil hors tension.

L'inobservation de ces consignes pourrait entraîner des blessures graves, voire mortelles.

## Consignes de sécurité importantes

### **AVERTISSEMENT**

Risques de décharge électrique :

- Sauf si l'on mesure la tension, le courant ou la fréquence, mettre hors tension et couper la source d'alimentation. S'assurer que tous les condensateurs sont déchargés. Aucune tension ne doit être présente.
- Régler le sélecteur et raccorder les fils de mesure comme il se doit pour la mesure à effectuer. Des réglages ou branchements incorrects peuvent produire des mesures inexactes ou endommager l'appareil.
- L'utilisation de cet appareil à proximité d'équipements qui génèrent des interférences électromagnétiques peut produire des lectures instables ou erronées.

L'inobservation de ces consignes pourrait entraîner des blessures graves, voire mortelles.

### **ATTENTION**

Risques de décharge électrique :

- Ne pas modifier la fonction de mesure pendant que les fils d'essai sont connectés à un composant ou à un circuit.
- Ne pas placer la mâchoire autour d'un conducteur transportant un courant de plus de 400 Hz de fréquence. Le circuit magnétique peut atteindre une température dangereuse en cas de dépassement de cette fréquence.

L'inobservation de ces consignes pourrait endommager l'appareil et pourrait entraîner des blessures.

### **ATTENTION**

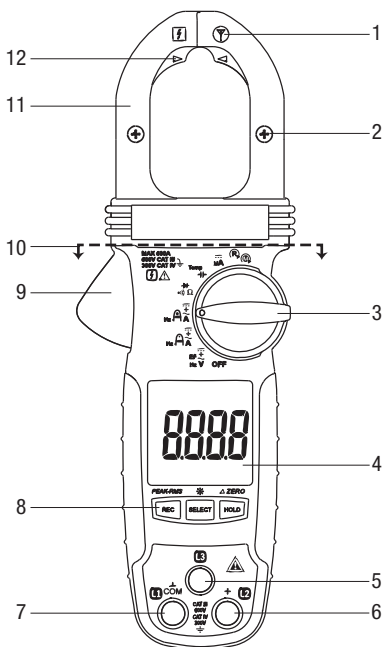
Risques de décharge électrique :

- Ne pas tenter de réparer cet appareil. Il ne comporte aucune pièce pouvant être réparée.
- Ne pas exposer l'appareil à des températures ou à une humidité extrêmes. Voir les caractéristiques techniques.

L'inobservation de ces consignes pourrait endommager l'appareil et pourrait entraîner des blessures.

## Identification

1. Antenne pour détection de champ électrique (EF) sans contact
2. Indicateur de centre de mâchoire pour mesurer les intensités avec précision ;  
indicateur de polarité pour les intensités continues
3. Sélecteur de fonction ou de mise hors tension
4. Écran à cristaux liquides
5. Prise d'entrée pour la détection de rotation de phase et de moteur seulement
6. Borne d'entrée positive ; entrée L2 pour rotation de moteur et de phase
7. Borne d'entrée négative, commune ou de terre ; entrée L1 pour rotation de moteur  
et de phase
8. Voir l'explication sous « Utilisation des fonctions »
9. Levier de mâchoire
10. Garder les mains et les doigts sous le trait pointillé durant l'utilisation.
11. Mâchoire
12. Indicateur de centre pour la fonction AmpTip™

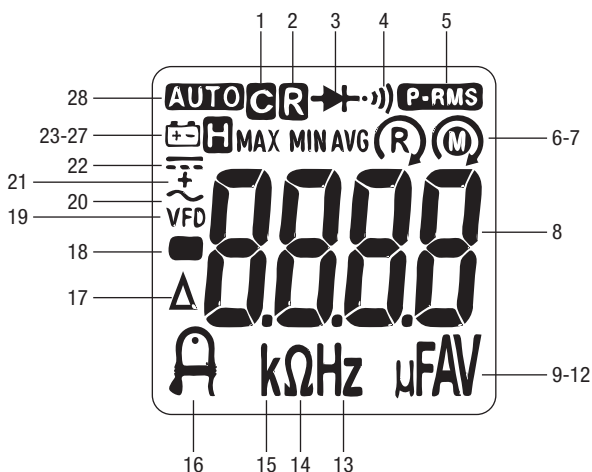


## Symboles sur l'appareil

- Avertissement — Lire le mode d'emploi
- Avertissement — Risque de décharge électrique
- Terre
- Double isolation
- Courant alternatif (AC)
- Courant continu (DC)
- Peut être placé autour de conducteurs sous tension dangereuse  
ou en être enlevé.

## Icônes de l'afficheur

1. **AUTO** Sélection de calibre automatique activée
2. **R** Fonction d'enregistrement activée
3. **→+** Diode
4. **•))** Continuité
5. **P-RMS** Mode crête-efficace activé
6. **(R)** Rotation de phase alimentation principale
7. **(M)** Rotation de moteur
8. **8.8.8.8** Affichage numérique
9. **μ** Micro (10<sup>-6</sup>)
10. **F** Farad
11. **A** Ampère
12. **V** Volt
13. **Hz** Hertz (fréquence en cycles par seconde)
14. **Ω** Ohm
15. **k** Kilo (10<sup>3</sup>)
16. **A** Fonction AmpTip™ activée
17. **Δ** Fonction de zéro relatif activée
18. **-** Indicateur de polarité
19. **VFD** Filtre pour mesures en courant alternatif exactes sur les variateurs de vitesse (VFD)
20. **~** Mesure de courant alternatif sélectionnée
21. **+** Mesure de courant alternatif + continu sélectionnée
22. **==** Mesure de courant continu sélectionnée
23. **⊖+** Pile déchargée
24. **H** Fonction de rétention activée
25. **MAX** Valeur maximale affichée
26. **MIN** Valeur minimale affichée
27. **AVG** Valeur moyenne affichée



## Utilisation des fonctions

### Tous les modèles

- **REC** : Appuyer brièvement pour activer le mode d'enregistrement MAX/MIN/AVG. **MAX** et « MAX MIN AVG » s'affichent à l'écran. L'appareil émet un bip à chaque mise à jour du maximum ou du minimum. La mesure moyenne (AVG) est calculée sur la durée. Appuyer brièvement sur cette touche pour afficher successivement les mesures MAX, MIN et AVG. Appuyer sur la touche pendant 1 seconde pour quitter le mode d'enregistrement MAX/MIN/AVG. L'APO est désactivé automatiquement dans ce mode.
- **SELECT** : Appuyer brièvement pour passer d'une fonction, d'un mode de mesure ou d'un mode d'affichage à l'autre. Le dernier réglage utilisé devient le réglage par défaut lorsque la fonction considérée est sélectionnée une nouvelle fois. Pour changer de réglage par défaut, en sélectionner un nouveau. Le réglage est conservé dans une mémoire non volatile.
- **HOLD** : Appuyer brièvement pour figer l'affichage de la valeur courante. Appuyer une nouvelle fois pour quitter ce mode.
- **Mise hors tension automatique intelligente (APO)** : L'appareil s'éteint automatiquement au bout de 32 minutes d'inactivité environ pour économiser la pile. Le contrôleur est considéré comme actif dans les cas suivants : sélecteur tourné ou bouton-poussoir enfoncé ; mesures supérieures à 8,5 % du calibre ; mesures sans surcharge de résistance, de continuité ou de fonction de diode ; mesure de fréquence non nulle ; segment de rotation de phase en mouvement. Pour réactiver le contrôleur depuis le mode APO, appuyer brièvement sur la touche **SELECT** ou placer le bouton sélecteur tournant sur **OFF** puis le ramener en position de marche. Toujours mettre le sélecteur tournant en position **OFF** lorsque le contrôleur n'est pas utilisé.

### CM-860, CM-960, CMH-600 et CMI-600 seulement

- **\*** : Appuyer sur la touche **SELECT** pendant 1 seconde pour allumer et éteindre le rétroéclairage de l'écran. Le rétroéclairage s'éteint automatiquement au bout de 32 secondes pour économiser la pile.
- **Δ** : Appuyer sur la touche **Δ** pendant 1 seconde pour alterner entre le mode zéro et le mode normal. En mode zéro, la valeur à l'écran au moment où la touche est enfoncée devient le facteur de correction. À mesure que la valeur d'entrée varie, ce facteur de correction est retranché de la valeur mesurée. L'écran affiche la valeur modifiée résultante.

*Remarque : L'utilisation de Δ lorsque les fonctions d'intensité continue ou d'intensité continue + alternative sont sélectionnées a pour effet de décaler l'hystérésis magnétique dans la mâchoire. Si la valeur d'intensité continue ou continue + alternative avant la mesure n'est pas nulle, appuyer sur la touche Δ pendant 1 seconde. L'écran affiche alors « dc\_0 ». Quand ce message s'efface, l'appareil est prêt à l'utilisation. Lors de mesures de plus de 5 A, ce mode est désactivé. L'appareil émet alors trois bips pour l'indiquer.*

### CM-960, CMH-600 et CMI-600 seulement

- **PEAK-RMS** : Appuyer sur la touche **PEAK-RMS** pendant 1 seconde pour activer le mode PEAK-RMS (crête-efficace) afin d'effectuer l'acquisition de l'intensité ou la tension d'appel pendant une durée de 80 ms ou plus. **P-RMS** s'affiche à l'écran. Appuyer sur la touche pendant 1 seconde pour quitter le mode PEAK-RMS. L'APO est désactivé automatiquement dans ce mode.

### CMH-600 et CMI-600 seulement

- **Ⓜ** et **Ⓡ** : Le cas échéant, tenir la touche **REC** enfoncée durant la mise en marche de l'appareil pour activer la fonction de bip. Si les segments indiquent un mouvement dans le sens des aiguilles d'une montre, l'appareil émet un bip long unique par cycle. Si les segments indiquent un mouvement dans le sens inverse, l'appareil émet trois bips courts par cycle.
  - **Ⓜ** : S'assurer que le moteur est isolé électriquement de sa source d'alimentation. Appuyer brièvement sur la touche **SELECT** pour sélectionner la fonction Moteur. Raccorder l'appareil au moteur conformément aux indications de la section « Tableau des réglages » de ce manuel. Faire tourner l'arbre du moteur dans le sens des aiguilles d'une montre, vu depuis le côté arbre du moteur. Si l'appareil indique un mouvement dans le sens des aiguilles d'une montre, les fils

## Utilisation des fonctions (suite)

du moteur raccordés à L1, L2 et L3 sur l'appareil sont, respectivement, T1, T2 et T3. Si l'appareil indique un mouvement inverse, inverser deux raccordements quelconques entre le contrôleur et le moteur. Refaire ensuite l'essai.

- (R) : Appuyer brièvement sur la touche **SELECT** pour sélectionner la fonction Phase. Raccorder l'appareil aux phases conformément aux indications de la section « Tableau des réglages » de ce manuel. Si l'appareil indique un mouvement dans le sens des aiguilles d'une montre, les phases raccordées à L1, L2 et L3 sur l'appareil sont, respectivement, L1, L2 et L3. Si l'appareil indique un mouvement inverse, inverser deux raccordements quelconques entre le contrôleur et les phases. Refaire ensuite l'essai.

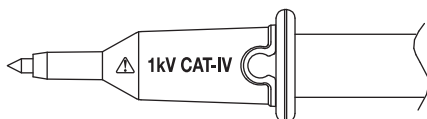
## Utilisation des fils de mesure

### ⚠ AVERTISSEMENT

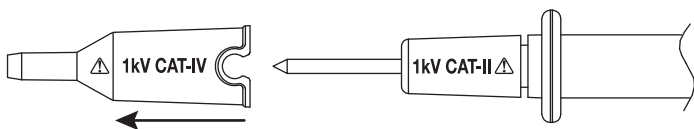
Danger de choc électrique :

Les fils de mesure fournis avec ce produit sont conformes à des normes de sécurité qui limitent la longueur exposée d'embout de sonde à 4 mm pour les catégories de mesure III et IV. Ces fils de mesure comportent un capuchon qui doit être en place pour effectuer des mesures de catégorie III ou IV.

Le non-respect de cette mise en garde peut entraîner des blessures graves ou la mort.



**Le capuchon doit être en place pour effectuer des mesures de catégorie III ou IV.**



**Le capuchon peut être retiré pour les mesures de catégorie I ou II.**

## Mesure de courant alternatif


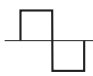


En règle générale, les mesures de courant alternatif sont affichées en valeurs efficaces (RMS). La valeur efficace équivaut à la valeur d'une forme d'onde de courant continu, qui fournirait la même puissance si elle remplaçait la forme d'onde qui varie en fonction du temps. Les deux méthodes de mesure du courant alternatif sont la mesure de valeur efficace de réponse moyenne étalonnée et la mesure de valeur efficace vraie.

La méthode par valeur efficace de réponse moyenne étalonnée consiste à mesurer la valeur moyenne du signal d'entrée après un redressement à double alternance, à la multiplier par 1,11 et à afficher le résultat. Cette méthode est précise si le signal d'entrée est une onde sinusoïdale pure.

La méthode par mesure de la valeur efficace vraie fait appel à un circuit interne permettant de mesurer directement la valeur efficace. Cette méthode est précise dans les limites du facteur de crête spécifiées, que le signal soit une onde sinusoïdale pure, une onde carrée, une onde triangulaire, une demi-onde ou un signal comportant des harmoniques. Les appareils à mesure de valeur efficace vraie sont beaucoup plus polyvalents que les appareils conventionnels. Les contrôleurs CM-660, CM-860, CM-960, CMH-600, et CMI-600 de Greenlee sont des multimètres à valeur efficace vraie (True RMS).

Le tableau des formes d'onde et facteurs de crête fournit les valeurs efficaces des signaux alternatifs courants.

### Formes d'ondes et facteurs de crêtes

Forme d'onde				
Valeur RMS	100	100	100	100
Valeur moyenne	90	100	87	64
Facteur de crête* ( $\xi$ )	1,414	1	1,73	2

\* Le facteur de crête correspond au rapport de la valeur de crête sur la valeur efficace ; il est représenté par la lettre grecque  $\xi$ .

## Valeur efficace vraie AC + DC

La valeur efficace vraie AC + DC distingue les composantes alternative et continue suivant l'expression données par l'expression

$$(AC \text{ eff.})^2 + DC^2$$

lors de la prise des mesures et reproduit avec précision la valeur efficace vraie totale réelle indépendamment de la forme d'onde. Les formes d'ondes déformées par la présence de composantes continues et d'harmoniques peuvent entraîner :

- une surchauffe des transformateurs, des groupes électrogènes et des moteurs
- un déclenchement prématuré des disjoncteurs
- une condition où les fusibles vont griller
- une surchauffe des neutres à cause de la triple harmonique présente dans le neutre
- une vibration des barres omnibus et des panneaux électriques

Les modèles CM-960 et CMI-600 peuvent être configurés pour afficher les valeurs efficaces vraies des mesures de courant alternatif ou de courant alternatif + continu.

## Bande passante en courant alternatif

La bande passante en courant alternatif est la plage de fréquences sur laquelle les mesures de courant alternatif peuvent être effectuées dans les limites d'incertitude indiquées. Il s'agit de la réponse en fréquence des fonctions de mesure en courant alternatif, pas des fonctions de mesure de fréquence. Une valeur de courant alternatif ne peut pas être mesurée avec précision dans des spectres de fréquence en dehors de la bande passante de l'appareil. Les formes d'onde complexes, le bruit et les formes d'onde ayant subi une distorsion contiennent des composantes de fréquence beaucoup plus élevée que la fondamentale. Exemple : le bruit haute fréquence sur une ligne haute tension de 50 ou 60 Hz.

## Utilisation

	<b>⚠ AVERTISSEMENT</b>
	Risque de décharge électrique : Un contact avec des circuits sous tension pourrait entraîner des blessures graves, voire mortelles.

## Mode d'emploi

1. Se reporter au Tableau des réglages. Placer le sélecteur sur le réglage qui convient, appuyer sur **SELECT** (lorsque l'instruction en est donnée) et raccorder les fils d'essai au multimètre.
2. Voir les instructions de mesure particulières sous « Mesures types ».
3. Tester l'appareil sur un circuit ou un composant connu.
  - Si l'appareil ne fonctionne pas comme prévu sur un circuit opérationnel connu, changer les piles.
  - Si l'appareil ne fonctionne toujours pas comme prévu, appeler le service d'assistance technique de Greenlee au 800-435-0786.
4. Effectuer la mesure sur le circuit ou le composant à contrôler.



## Utilisation (suite)

### Tableau des réglages

Pour mesurer cette valeur ...	Régler le sélecteur sur ce symbole ...	Ces icônes s'affichent à l'écran ...	Raccorder le fil rouge à ...	Raccorder le fil noir à ...
<b>TOUS MODÈLES</b>				
Tension (alternative)			+	COM
Tension (continue)			+	COM
Intensité, AmpTip™ (alt.)			Néant	Néant
Intensité (alternative)			Néant	Néant
Continuité			+	COM
Résistance			+	COM
Diode			+	COM
Fréquence	<b>Hz</b>	<b>Hz</b>	+	COM
Champ électrique (EF)*	<b>EF</b>	<b>EF</b>	Néant	COM
<b>CM-860, CM-960, CMH-600 et CMI-600 seulement</b>				
Capacité**			+	COM
<b>CM-960 et CMI-600 seulement</b>				
Tension (alt. + cont.)			+	COM
Intensité, AmpTip™ (cont.)			Néant	Néant
Intensité, AmpTip™ (alt. + cont.)			Néant	Néant
Intensité (continue)			Néant	Néant
Intensité (alternative + continue)			Néant	Néant
<b>CMH-600 et CMI-600 seulement</b>				
Température	<b>Temp</b>	<b>C</b> ou <b>F</b>	***	
Intensité (micro, alt.)			+	COM
Rotation de phase†			+	COM
Rotation de moteur†			+	COM

\* Utiliser la partie supérieure de la mâchoire fixe ou, pour obtenir des mesures plus précises, utiliser une sonde branchée sur la borne COM.

\*\* Décharger les condensateurs avant la mesure. Voir « Mesures types » concernant les condensateurs polarisés.

\*\*\* Le + du thermocouple sur +, le – du thermocouple sur COM.

† Fil jaune sur L3.

## Mesures types et incertitude

Voir les conditions d'utilisation et le coefficient de température dans la section « Caractéristiques techniques ».

L'incertitude est spécifiée comme suit :  $\pm$  (un pourcentage de la mesure + une quantité fixe) à 23 °C  $\pm$  5 °C (73,4 °F  $\pm$  9 °F).

La fréquence doit être dans les limites de la largeur de bande spécifiée pour les ondes non sinusoïdales. Sauf indication contraire, les facteurs de crête sont les suivants :

- Facteur de crête < 2,5:1 à pleine échelle
- Facteur de crête < 5,0:1 à mi-échelle

### Fréquence

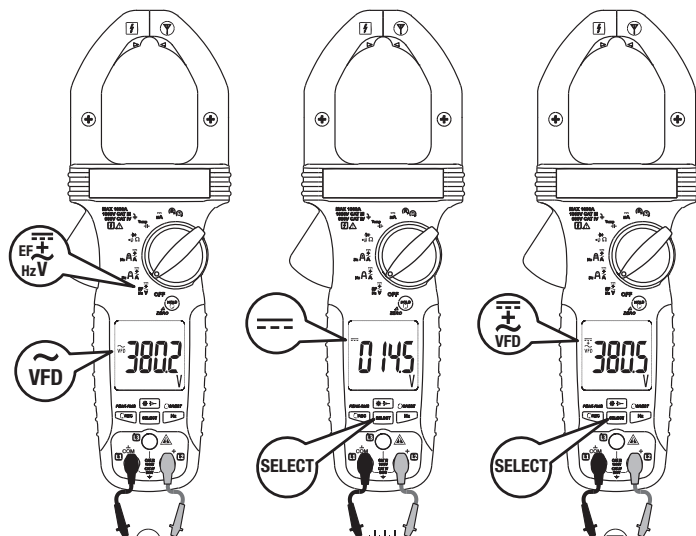
Fonction	Sensibilité (eff. sinus.)*	Calibre
600 V	50 V	5,00 Hz ~ 999,9 Hz
60,0 A AmpTip™	40 A	50,00 Hz ~ 400,0 Hz
60,00 A, 600,0 A	40 A	50,00 Hz ~ 400,0 Hz

\* La tension de polarisation (DC Bias) doit être inférieure à 50 % de la valeur efficace sinusoïdale.

### Incertitude de la mesure de fréquence

Plage d'affichage	Incertitude
XX.XX	$\pm$ (1,0% + 0,05 Hz)
XXX.X	$\pm$ (1,0% + 0,5 Hz)

## Mesure de tension



### Tension alternative

Calibre	Incertitude de 50 Hz à 60 Hz
600,0	$\pm$ (1,0% + 0,5 V)

### Tension continue

Calibre	Incertitude
600,0	$\pm$ (1,0% + 0,5 V)

### Tension alt. + cont. (CM-960, CMI-600 seulement)

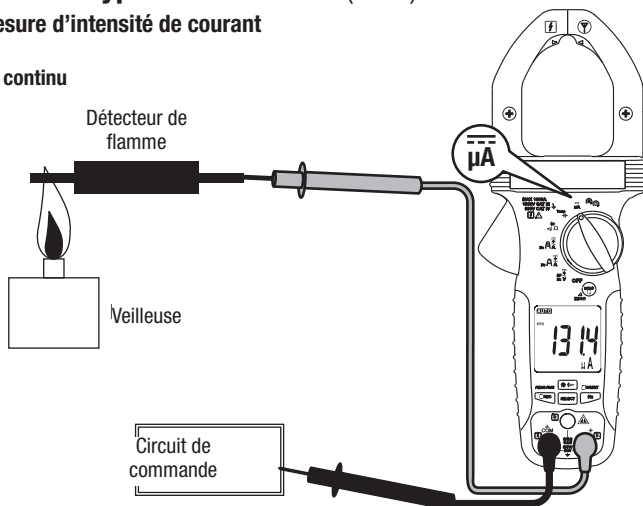
Calibre	Incertitude cour. cont., de 50 Hz à 60 Hz
600,0	$\pm$ (1,2% + 0,7 V)

Impédance d'entrée : 10 M $\Omega$ , 100 pF nominal

## Mesures types et incertitude (suite)

### Mesure d'intensité de courant

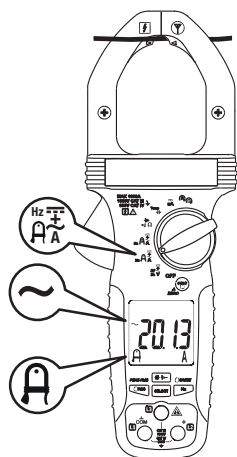
$\mu$ A continu



### Micro-intensité continue (CMH-600 et CMI-600 seulement)

Calibre	Incertitude	Tension absorbée
200,0 $\mu$ A	$\pm (1,0\% + 0,5 \mu\text{A})$	3,5 mV/ $\mu$ A
2000 $\mu$ A	$\pm (1,0\% + 5 \mu\text{A})$	

### Fonction AmpTip™



### Intensité alternative AmpTip™

Calibre	Plage de mesure	Incertitude de 50 Hz à 60 Hz**
60,00 A	< 0,20 A*	Non spécifié
	0,00 A à 3,99 A	$\pm (1,5\% + 0,15 \text{ A})$
	4,00 A à 60,00 A	$\pm (1,5\% + 0,05 \text{ A})$

\* CM-660, CM-860 et CMH-600 seulement.

\*\* Pour CM-960 et CMI-600 seulement, l'erreur induite pour les conducteurs voisins est < 0,01 A/A..

### Intensité continue AmpTip™ (CM-960 et CMI-600 seulement)

Calibre	Plage de mesure	Incertitude†
60,00 A	0,00 A à 3,99 A	$\pm (2,0\% + 0,15 \text{ A})$
	4,00 A à 60,00 A	$\pm (2,0\% + 0,05 \text{ A})$

### Intensité cont. + alt. AmpTip™ (CM-960 et CMI-600 seulement)

Calibre	Plage de mesure	Incertitude cour. cont., de 50 Hz à 60 Hz†
60,00 A	0,00 A à 3,99 A	$\pm (2,0\% + 0,17 \text{ A})$
	4,00 A à 60,00 A	$\pm (2,0\% + 0,07 \text{ A})$

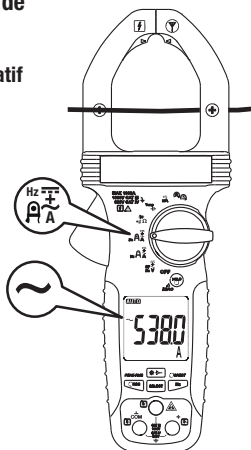
† L'erreur induite pour les conducteurs voisins est < 0,01 A/A.

Remarque : Utiliser  $\Delta$  si une correction est nécessaire avant d'effectuer la mesure.

## Mesures types et incertitude (suite)

### Mesure d'intensité de courant (suite)

Pince, courant alternatif et continu



#### Intensité alternative (CM-960 et CMI-600 seulement)

Calibre	Plage de mesure	Incertitude de 50 Hz à 100 Hz*†	Incertitude de 100 Hz à 400 Hz*†
60,00 A	0,00 A à 8,99 A	± (1,8% + 0,15 A)	± (2,0% + 0,15 A)
	9,00 A à 60,00 A	± (1,8% + 0,05 A)	± (2,0% + 0,05 A)
600,0 A	60,0 A à 600,0 A	± (1,8% + 0,5 A)	± (2,0% + 0,5 A)

\* Le facteur de crête maximal est < 2:1 à pleine échelle et < 4:1 à mi-échelle.

#### Intensité alternative (CM-660, CM-860, et CMH-600 seulement)

Calibre	Plage de mesure	Incertitude de 50 Hz à 100 Hz*†	Incertitude de 100 Hz à 400 Hz*†
60,00 A	0,00 A à 0,19 A	Non spécifié	Non spécifié
	0,20 A à 5,99 A	± (1,8% + 0,15 A)	± (2,0% + 0,15 A)
	6,00 A à 60,00 A	± (1,8% + 0,05 A)	± (2,0% + 0,05 A)
600,0 A	60,0 A à 600,0 A	± (1,8% + 0,5 A)	± (2,0% + 0,5 A)

\* Pour toute mesure, si le conducteur n'est pas placé au centre des mâchoires, ajouter 2,0 % d'incertitude pour l'erreur de position.

#### Intensité continue (CM-960 et CMI-600 seulement)

Calibre	Plage de mesure	Incertitude†
60,00 A	0,00 A à 8,99 A	± (2,0% + 0,15 A)
	9,00 A à 60,00 A	± (2,0% + 0,05 A)
600,0 A	60,0 A à 600,0 A	± (2,0% + 0,5 A)

#### Intensité alt. + cont. (CM-960 et CMI-600 seulement)

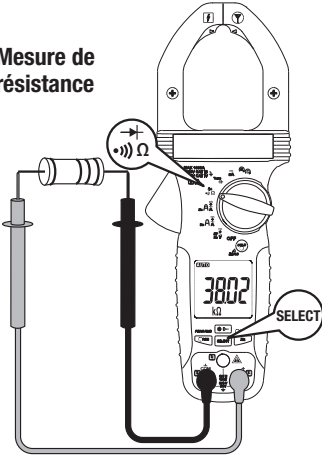
Calibre	Plage de mesure	Incertitude de 50 Hz à 100 Hz†	Incertitude de 100 Hz à 400 Hz†
60,00 A	0,00 A à 8,99 A	± (2,2% + 0,15 A)	± (2,7% + 0,17 A)
	9,00 A à 60,00 A	± (2,2% + 0,05 A)	± (2,7% + 0,07 A)
600,0 A	60,0 A à 600,0 A	± (2,2% + 0,5 A)	± (2,7% + 0,7 A)

† L'erreur induite pour les conducteurs voisins est < 0,01 A/A.

Remarque : Utiliser Δ si une correction est nécessaire avant d'effectuer la mesure.

## Mesures types et incertitude (suite)

### Mesure de résistance



### Résistance

Calibre	Incertitude
600,0 Ω	± (1,0% + 0,5 Ω)
6,000 kΩ	± (1,0% + 0,005 kΩ)
60,00 kΩ	± (1,0% + 0,05 kΩ)

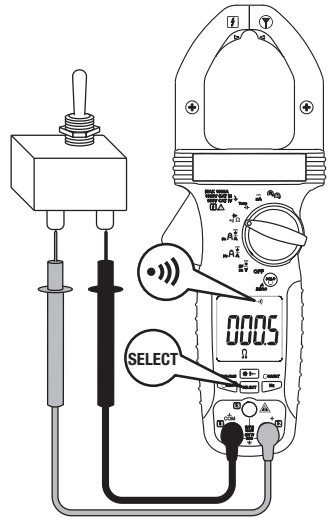
Tension en circuit ouvert : 1,0 VDC

### Contrôle de continuité

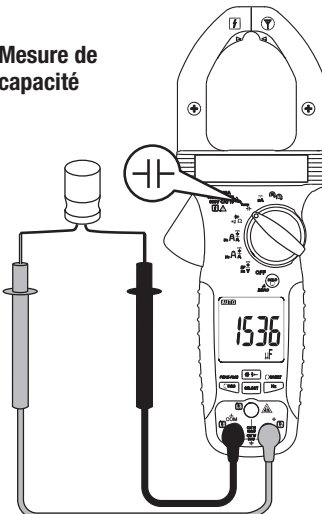
#### Continuité

Seuil de tonalité : Entre 10 Ω et 250 Ω

Temps de réponse : 32 ms environ



### Mesure de capacité



### Capacité (CM-860, CM-960, CMH-600, et CMI-600 seulement)

Calibre	Incertitude*
200,0 μF	± (2,0% + 0,4 μF)
2500 μF	± (2,0% + 4 μF)

\* Pour les condensateurs à couches (absorption diélectrique négligeable).

*Remarque : Pour les condensateurs polarisés, attacher le fil de mesure rouge à la borne positive et le fil noir à la borne négative du condensateur.*

## Mesures types et incertitude (suite)

### Mesure de diode

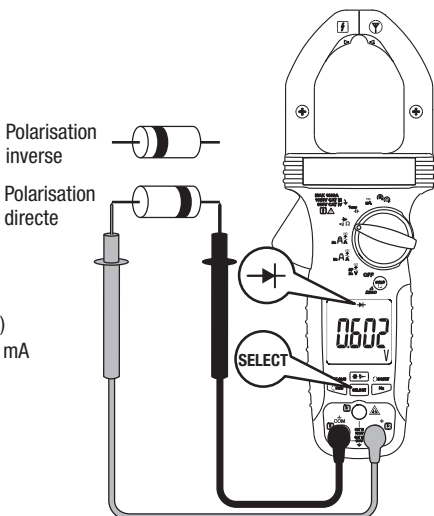
#### Contrôle de diode

Calibre de mesure : 2,000 V

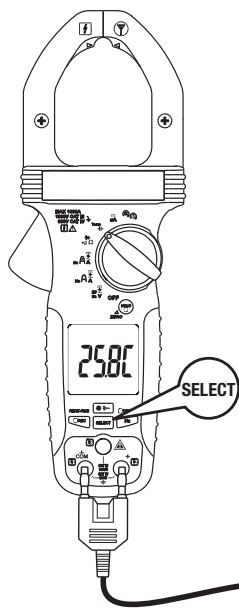
Incertitude :  $\pm (1,5 \% + 0,005 \text{ V})$

Intensité de contrôle (type) : 0,3 mA

Tension en circuit ouvert (type) :  
 $< 3,5 \text{ VDC}$



### Température



#### Température (CMH-600 et CMI-600)

Calibre	Incertitude*
-40,0 °C ~ 99,9 °C	$\pm (1,0\% + 0,8 \text{ °C})$
100 °C ~ 400 °C	$\pm (1,0\% + 1 \text{ °C})$
-40,0 °F ~ 211,8 °F	$\pm (1,0\% + 1,5 \text{ °F})$
212 °F ~ 752 °F	$\pm (1,0\% + 2 \text{ °F})$

\* Incertitude des thermocouples de type K non incluse. Le thermocouple fourni avec l'appareil est conforme à la norme JIS C 16021981.

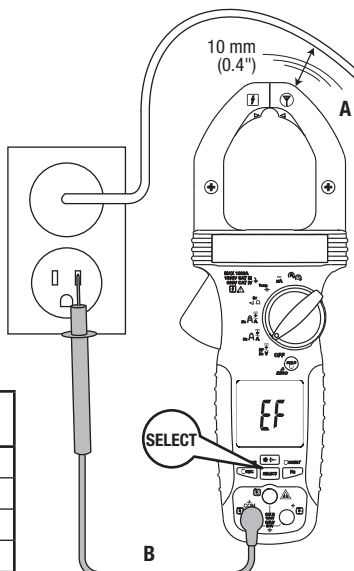
## Mesures types et incertitude (suite)

### Champ électrique

Remarque : Les modèles CM-660 et CM-860 comportent une position spécifique du sélecteur.

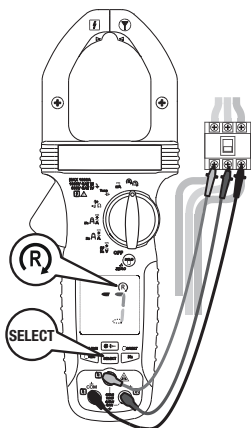
### Détection de champ électrique sans contact

Tension type	Plage, de 50 Hz à 60 Hz	Affichage
20 V	10 V ~ 36 V	-
55 V	23 V ~ 83 V	--
110 V	59 V ~ 165 V	---
220 V	124 V ~ 330 V	----
440 V	250 V ~ 600 V	-----



A – Sans contact **OU**  
B – Avec contact, mesure de précision

### Rotation de phase



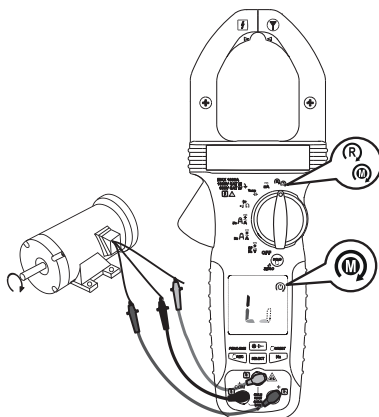
Clockwise



Counterclockwise

Sens des aiguilles d'une montre      Sens inverse des aiguilles d'une montre

### Rotation de moteur



## Caractéristiques techniques

Affichage : Écran à cristaux liquides (LCD), 3-5/6 digits, 6 000 points

Polarité : Automatique

Taux de rafraîchissement : 5 par seconde (nominal)

Conditions d'utilisation :

0 °C à 31 °C (32 °F à 88 °F), 0 % à 80 % d'humidité relative

31 °C à 40 °C (88 °F à 104 °F), l'humidité relative décroît linéairement de 80 % à 50 %

Degré de pollution : 2

Utilisation à l'intérieur uniquement

Altitude : Utilisation : en dessous de 2 000 m (6 500 ft)

Température d'entreposage : -20 °C à 60 °C, humidité relative < 80 %, piles retirées

Coefficient de température : Nominal 0,15 x (incertitude) par °C en dessous de 18 °C entre 0 °C et 18 °C (32 °F et 64,4 °F) ou au-dessus de 28 °C entre 28 °C et 40 °C (82,4 °F et 104 °F), sauf indication contraire

Détection : Valeur efficace vraie

C.E.M. :

Conforme à EN61326-1:2006 (EN55022, EN61000-3-2, EN61000-3-3, EN61000-4-2, EN61000-4-3, EN61000-4-4, EN61000-4-5, EN61000-4-6, EN61000-4-8, EN61000-4-11)

Dans un champ RF de 1 V/m à une fréquence de 405 MHz, modes intensité cont. et intensité cont. + alt. (CM-960 et CMI-960) :

Incertitude totale = incertitude indiquée + 20 digits

Dans un champ RF de 1 V/m, modes résistance (tous modèles) et  $\mu$ A cont.

(CMH-600 et CMI-600) : Incertitude totale = incertitude indiquée + 25 digits

Dans un champ RF de 3 V/m, tous les autres modes et modèles non spécifiés

ci-dessus : Incertitude totale = incertitude indiquée + 20 digits

Sécurité : Double isolation selon UL/IEC/EN61010-1 Éd. 3, IEC/EN61010-2-033 Éd. 1, CAN/CSA C22.2 n° 61010-1 Éd. 3, IEC/EN61010-2-032 Éd. 2 et IEC/EN61010-031 Éd. 1.1 jusqu'à CAT III 600 V et CAT IV 300 V alt. et cont.

Protections antisurcharge :

Mâchoires :

Fonctions d'intensité et de fréquence : 600 A DC/AC eff. à  $\leq$  400 Hz

Bornes :

Fonctions de tension et de rotation de phase : 660 V DC/920 V AC eff.

Tous autres modes et fonctions : 600 V DC/AC eff.

Protection contre les transitoires : 6,0 kV (surtension de 1,2/50  $\mu$ s)

Alimentation : Deux piles de AAA de 1,5 V (NEDA 24A ou IEC LR03)

Piles déchargées :

Fonctions de capacité et de fréquence : 2,85 V environ

Toutes autres fonctions : 2,5 V environ

Consommation de courant :

CM-960 et CMI-600 : 13 mA typique

CM-660, CM-860 et CMH-600 : 4,3 mA typique

Temporisation d'arrêt automatique (APO) : 32 minutes d'inactivité

Consommation de l'APO : 5  $\mu$ A typique

Dimensions :

CM-960 et CMI-600 : 222 mm x 76 mm x 37 mm (8,7" x 3,0" x 1,4")

CM-660, CM-860 et CMH-600 : 217 mm x 76 mm x 37 mm (8,5" x 3,0" x 1,4")

Ouverture de la pince et diamètre de conducteur : 30 mm max. (1,18")



## Catégories de mesure

Ces définitions sont dérivées des normes internationales sur la sécurité pour la coordination de l'isolation telle qu'elle s'applique à la mesure, au contrôle et à l'équipement de laboratoire. Ces catégories de mesure sont expliquées plus en détail par la Commission électrotechnique internationale ; se reporter à l'une de ces deux publications : IEC 61010-1 ou IEC 60664.

### Catégorie de mesure II

Niveau local. Appareils, équipement portatif et les circuits dans lesquels ils sont branchés. Par exemple, les appareils d'éclairage, les téléviseurs et les dérivations.

### Catégorie de mesure III

Niveau de distribution. Les machines installées en permanence et les circuits auxquels elles sont câblées. Par exemple, les systèmes de convoyeurs et les panneaux de disjoncteurs principaux du système électrique d'un édifice.

### Catégorie de mesure IV

Niveau d'alimentation principal. Lignes surélevées et autres systèmes de câbles. Par exemple, les câbles, les compteurs, les transformateurs et autres équipements extérieurs appartenant aux fournisseurs en électricité.

## Déclaration de conformité

Greenlee Tools, Inc. est certifiée selon ISO 9001 (2000) pour nos Systèmes de gestion de la qualité.

L'instrument ci-inclus a été vérifié et/ou étalonné avec des moyens de mesure raccordés aux étalons du National Institute of Standards and Technology (NIST).

## Entretien

### **⚠ AVERTISSEMENT**

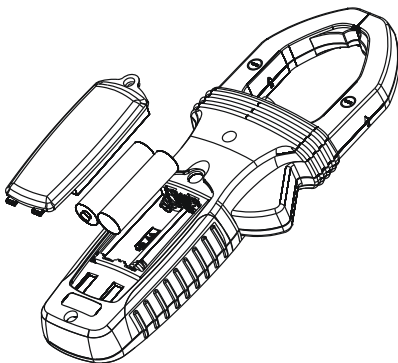
Risques de décharge électrique :

Avant d'ouvrir le boîtier, retirer les fils d'essai du circuit et mettre l'appareil hors tension.

L'inobservation de cette consigne pourrait entraîner des blessures graves, voire mortelles.

### **Changer les piles**

1. Débrancher l'appareil du circuit.  
Mettre l'appareil hors tension (OFF).
2. Ôter les deux vis du couvercle d'accès à la pile et enlever le couvercle.
3. Changer les piles en veillant à respecter la polarité.



### **Nettoyage et entreposage**

Essuyer régulièrement le boîtier avec un chiffon humide et un détergent doux. Ne pas utiliser de produit abrasif ni de solvant.

Si le multimètre doit rester inutilisé pendant des durées de plus de 60 jours, sortir les piles et les entreposer séparément.

## Beschreibung

Die Zangenmessgeräte CM-660, CM-860, CM-960, CMH-600 und CMI-600 von Greenlee sind Handmessgeräte mit den folgenden Messfähigkeiten: Wechsel- und Gleichspannung, Wechselstrom, Wechselstrom mit AmpTip™, Frequenz, kontaktloser Nachweis eines elektrischen Feldes (EF) und Widerstand. Sie können zudem zur Überprüfung von Dioden und zur Durchgangsprüfung eingesetzt werden. Diese Messgeräte sind für isolierte und nicht isolierte Leiter ausgelegt (Anbringen/Abnehmen).

### Zusätzliche Funktionen der einzelnen Modelle:

Funktion	CMI-600	CM-960	CMH-600	CM-860
Wechsel- und Gleichspannung	•	•		
Gleichstrom mit AmpTip™	•	•		
Gleich- und Wechselstrom mit AmpTip™	•	•		
Gleichstrom	•	•		
Gleichstrom im µA-Bereich	•		•	
Temperatur (Thermoelement Typ K)	•		•	
Motordrehung	•		•	
Drehfeld	•		•	
Spitzen-Effektivwert-Erfassung	•	•	•	
Kapazität	•	•	•	•
Hintergrundbeleuchtung	•	•	•	•
Zero-Modus	•	•	•	•

### Das Gerät bietet folgende weitere Funktionen:

- Haltemodus zur Erfassung des aktuellen LCD-Werts
- Aufzeichnungsmodus für Minimum, Maximum oder Durchschnitt
- Intelligente Abschaltautomatik
- Automatische Bereichswahl

## Sicherheitsvorkehrungen

Sicherheitsvorkehrungen sind bei der Verwendung und der Wartung der Geräte und Ausrüstung von Greenlee entscheidend. Die vorliegende Anleitung und etwaige am Gerät angebrachte Beschriftungen geben Hinweise zur Vermeidung von Gefahren und gefährlichen Praktiken in Bezug auf die Handhabung dieses Geräts. Bitte alle hier angegebenen Sicherheitshinweise beachten.

## Zweck dieses Handbuchs

Dieses Handbuch ist dazu vorgesehen, das Personal mit den sicheren Betriebs- und Wartungsverfahren für die Zangenmessgeräte CM-660, CM-860, CM-960, CMH-600 und CMI-600 von Greenlee vertraut zu machen.

Bitte dieses Handbuch allen Mitarbeitern zugänglich machen. Ersatz-Handbücher sind auf Anfrage kostenlos erhältlich unter [www.greenlee.com](http://www.greenlee.com).

## Wichtige Sicherheitsinformationen



### SICHERHEITS-WARNSYMBOL

Dieses Symbol macht auf gefährliche oder riskante Praktiken aufmerksam, die zu Schäden oder Verletzungen führen können. Das Signalwort, wie nachfolgend definiert, gibt den Schweregrad der Gefahr an. Der dem Signalwort folgende Hinweis informiert darüber, wie die Gefahr verhindert oder vermieden wird.

#### **GEFAHR**

Akute Gefahr, die bei Nichtvermeiden zu schweren Verletzungen oder zum Tod FÜHRT.

#### **WARNUNG**

Gefahr, die bei Nichtvermeiden zu schweren Verletzungen oder zum Tod führen KANN.

#### **VORSICHT**

Gefahr oder unsichere Praktiken, die bei Nichtvermeiden zu Verletzungen oder Sachschäden führen KÖNNEN.



#### **WARNUNG**

Vor Betrieb oder Wartung dieses Geräts die Bedienungsanleitung sorgfältig **durchlesen** und **beachten**. Mangelndes Verständnis der sicheren Betriebsweise dieses Geräts kann zu Unfällen mit schweren oder tödlichen Verletzungen führen.



#### **WARNUNG**

Stromschlaggefahr:  
Das Berühren von Stromkreisen kann zu schweren Verletzungen oder zum Tod führen.



**Dieses Produkt nicht wegwerfen.**

Recycling-Informationen sind unter [www.greenlee.com](http://www.greenlee.com) nachzulesen.

Alle technischen Daten sind Nennwerte. Bei Designverbesserungen sind Änderungen der Nennwerte vorbehalten. Greenlee Tools, Inc. haftet nicht für Schäden, die sich aus der falschen Anwendung oder dem Missbrauch seiner Produkte ergeben.

® Eingetragen: Die Farbe Grün für elektrische Testgeräte ist eine eingetragene Marke von Tools, Innovations Inc.

AmpTip ist eine Marke von BTC.

***DIESES HANDBUCH UNBEDINGT AUFBEWAHREN***

## Wichtige Sicherheitsinformationen

### **WARNUNG**

Stromschlag- und Brandgefahr:

- Dieses Gerät darf weder Regen noch Feuchtigkeit ausgesetzt werden.
- Das Gerät nicht benutzen, wenn es nass oder beschädigt ist.
- Zangenmessgerät, Messleitungen und alles andere Zubehör gelten als ein System, wenn sie zusammen zur Messung verwendet werden. Das System ist bei Verwendung der im Lieferumfang des Messgeräts enthaltenen Messleitungen und Zubehörteile für Stromkreise CAT III 600 V oder CAT IV 300 V ausgelegt. Bei Verwendung von nicht mit dem Messgerät gelieferten Messleitungen oder Zubehörteilen basiert die Systemauslegung in Bezug auf CAT und Spannung auf der Komponente mit der niedrigsten Auslegung im System.
- Vor dem Einsatz die Messleitungen oder Zubehörteile überprüfen. Sie müssen sauber und trocken und die Isolation muss in einem guten Zustand sein. Messleitungen dürfen nicht verwendet werden, wenn die kontrastierende innere Isolierung sichtbar ist.
- Dieses Gerät darf nur zu seinem vom Hersteller bestimmten Zweck wie in dieser Anleitung beschrieben verwendet werden. Davon abweichende Verwendungszwecke beeinträchtigen u.U. den vom Gerät gebotenen Schutz.

Das Nichtbeachten dieser Warnungen könnte zu schweren oder tödlichen Verletzungen führen.

### **WARNUNG**

Stromschlaggefahr:

- Zwischen zwei Eingangsanschlüssen bzw. einem Eingangsanschluss und der Erdung nicht mehr als die Nennspannung anlegen.
- Darauf achten, dass Hände und Finger unterhalb der Schutzbarrieren an den Messleitungen und am Messgerätgehäuse bleiben.

Das Nichtbeachten dieser Warnungen könnte zu schweren oder tödlichen Verletzungen führen.

### **WARNUNG**

Stromschlaggefahr:

- Das Gerät nicht mit offenem Gehäuse benutzen.
- Vor dem Öffnen des Gehäuses die Messleitungen vom Stromkreis entfernen und das Gerät ausschalten.

Das Nichtbeachten dieser Warnungen könnte zu schweren oder tödlichen Verletzungen führen.

## Wichtige Sicherheitsinformationen

### **WARNUNG**

Stromschlaggefahr:

- Das Gerät ausschalten und die Stromzufuhr blockieren, wenn es nicht zur Messung von Stromstärke, der Spannung oder Frequenz eingesetzt wird. Darauf achten, dass alle Kondensatoren entladen sind. Es darf keine elektrische Spannung vorhanden sein.
- Den Wahlschalter gemäß der vorzunehmenden Messung einstellen und die Messleitungen entsprechend anschließen. Falsche Einstellungen oder falsches Anlegen können zu Messfehlern oder Geräteschäden führen.
- Die Verwendung dieses Geräts in der Nähe von Anlagen, die elektromagnetische Störungen hervorrufen, kann zu instabilen bzw. ungenauen Messwerten führen.

Das Nichtbeachten dieser Warnungen könnte zu schweren oder tödlichen Verletzungen führen.

### **VORSICHT**

Stromschlaggefahr:

- Bei an einer Komponente oder einem Stromkreis angeschlossenen Messleitungen darf die Messfunktion nicht geändert werden.
- Die Zange darf nicht an einen Leiter angelegt werden, der eine Frequenz über 400 Hz führt. Bei Überschreitung dieser Frequenz können die Magnetschaltkreise gefährliche Temperaturen entwickeln.

Nichtbeachten dieser Sicherheitsvorkehrungen kann zu Verletzungen oder Schäden am Gerät führen.

### **VORSICHT**

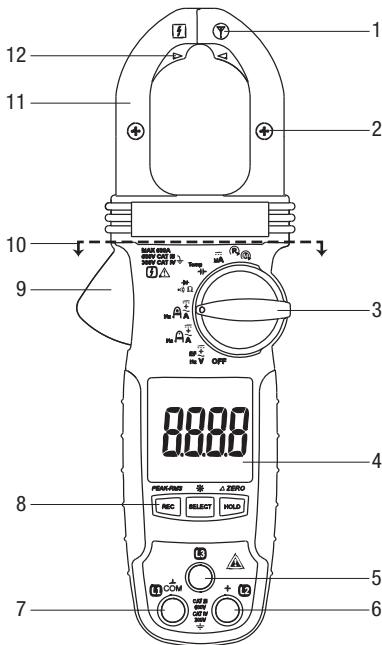
Stromschlaggefahr:

- An diesem Gerät keine Reparaturen vornehmen. Es enthält keine Teile, die vom Benutzer gewartet werden können.
- Das Gerät keinen extremen Temperaturen oder hoher Luftfeuchtigkeit aussetzen. Siehe „Technische Daten“.

Nichtbeachten dieser Sicherheitsvorkehrungen kann zu Verletzungen oder Schäden am Gerät führen.

## Bezeichnungen

1. Antenne für berührungslosen Nachweis eines elektrischen Feldes (EF)
2. Zangenmittenanzeige für optimale Genauigkeit; Polaritätsanzeige für Gleichstrom
3. Zur Auswahl einer Funktion oder zum Ausschalten des Geräts
4. LCD
5. Eingangsbuchsen – nur für Drehfeld und Motordrehung
6. Eingangsanschluss (+); Eingang L2 für Drehfeld und Motordrehung
7. Eingangsanschluss (–, Masse, Erde); Eingang L1 für Drehfeld und Motordrehung
8. Siehe Erläuterungen unter „Einsatz der Funktionen“.
9. Zangenhebel
10. Hände und Finger sind während des Betriebs unterhalb der Strichelinie zu halten.
11. Zange
12. Mittenanzeige für AmpTip™ Funktion

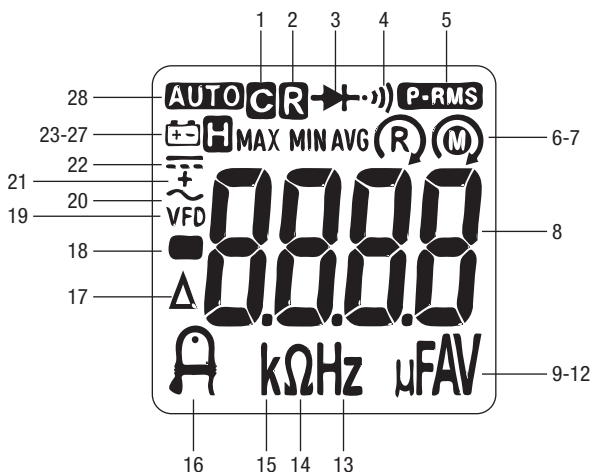


## Symbole am Gerät

- Warnhinweis – Bedienungsanleitung lesen
- Warnung – Stromschlaggefahr
- Erde
- Doppelisolierung
- AC (Wechselstrom)
- DC (Gleichstrom)
- Anlegen an bzw. Abnehmen von stromführenden Leitern mit gefährlichen Spannungen ist zulässig.

## Anzeigesymbole

1. **AUTO** Automatische Bereichswahl ist aktiviert.
2. **R** Aufzeichnungs-Funktion ist aktiviert
3. **→+** Diode
4. **•))** Durchgang
5. **P-RMS** Spitzen-Effektivwert-Modus ist aktiviert.
6. **(R)** Drehfeld Netzstromversorgung
7. **(M)** Motordrehung
8. **8.8.8.8** Numerische Anzeige
9. **μ** Mikro (10<sup>-6</sup>)
10. **F** Farad
11. **A** Ampere
12. **V** Volt
13. **Hz** Hertz (Frequenz in Taktzyklen pro Sekunde)
14. **Ω** Ohm
15. **k** Kilo (10<sup>3</sup>)
16. **A** AmpTip™-Funktion ist aktiviert.
17. **Δ** Funktion „Relative Zero“ (Relativer Nullpunkt) ist aktiviert.
18. **-** Polaritätsanzeige
19. **VFD** Wechselstrommessung mit Filter zur genauen Messung bei variablen Frequenzantrieben
20. **~** AC-Messung ist ausgewählt.
21. **+** AC- und DC-Messung ist ausgewählt.
22. **≡** DC-Messung ist ausgewählt.
23. **+** Niedriger Batteriestand
24. **H** Halte-Funktion ist ausgewählt.
25. **MAX** Maximaler Messwert wird angezeigt.
26. **MIN** Minimaler Messwert wird angezeigt.
27. **AVG** Durchschnittswert wird angezeigt.





## Einsatz der Funktionen

### Alle Modelle

- **REC (AUFZEICHNUNG):** Diese Taste kurz drücken, um den MAX/MIN/AVG-Aufzeichnungsmodus zu aktivieren. **REC** und „MAX MIN AVG“ erscheinen dann auf der Anzeige. Bei Aktualisierung des Minimal- bzw. Maximalwertes gibt das Messgerät ein Tonsignal ab. Der Durchschnittswert wird über einen Zeitraum berechnet. Die Taste kurz drücken, um die Messwerte für MAX, MIN und AVG nacheinander anzuzeigen. Diese Taste eine Sekunde lang drücken, um den MAX/MIN/AVG-Aufzeichnungsmodus zu aktivieren. Die Abschaltautomatik (APO) ist in diesem Modus automatisch deaktiviert.
- **SELECT (AUSWÄHLEN):** Kurz drücken, um zu den verschiedenen Funktionen, Messarten oder Anzeigemodi umzuschalten. Die letzte verwendete Einstellung wird zur Standardeinstellung, wenn diese Funktion erneut gewählt wird. Zur Änderung der Standardeinstellung eine neue Einstellung wählen. Die Einstellung wird im nichtflüchtigen Speicher gespeichert.
- **HOLD (HALTEN):** Kurz drücken, um den aktuellen Messwert auf der Anzeige zu halten. Nochmals drücken, um diesen Modus zu beenden.
- **Intelligente Abschaltautomatik (APO):** Das Messgerät schaltet sich nach ungefähr 32 Minuten Inaktivität aus, um die Nutzungsdauer der Batterie zu verlängern. Die aktive Messgerätefunktion wird wie folgt definiert: Auswahlschalter wird gedreht, Tasten werden gedrückt; Messungen von über 8,5 % des Bereichs; nicht auf die Überlast (OL) bezogene Messungen für Widerstand, Durchgang oder Diodenfunktion; Messwerte ungleich null für die Hz-Funktion; Drehfeld-Segment in Bewegung. Um das Messgerät nach einer automatischen Abschaltung wieder zu aktivieren, die Taste **SELECT (AUSWÄHLEN)** kurz drücken oder den Wahlschalter auf **OFF (AUS)** drehen und dann wieder einschalten. Den Drehschalter grundsätzlich auf **OFF (AUS)** drehen, wenn das Messgerät nicht in Gebrauch ist.

### Nur für CM-860, CM-960, CMH-600 und CMI-600

- **☼** : Die Taste **SELECT (AUSWÄHLEN)** eine Sekunde lang drücken, um die LCD-Hintergrundbeleuchtung ein- und auszuschalten. Die Hintergrundbeleuchtung schaltet sich nach 32 Sekunden aus, um die Nutzungsdauer der Batterie zu verlängern.
- **Δ**: Die Taste **Δ** eine Sekunde lang drücken, um zwischen den Modi Zero und Normal umzuschalten. Im Zero-Modus wird der beim Drücken der Taste auf der LCD-Anzeige angezeigte Wert als Offset-Wert festgelegt. Bei einer Änderung des Eingangswerts wird die Verschiebung vom Istwert abgezogen. Dieser abgeänderte Wert erscheint auf der LCD-Anzeige.

*Hinweis: Δ Betrieb, wenn Funktion DCA oder DC + ACA ausgewählt wird, wird die magnetische Hysterese in der Zange ausgeglichen. Wenn der Wert für DCA oder DC + ACA vor der Messung nicht null ist, die Taste Δ eine Sekunde lang drücken. Auf der LCD-Anzeige wird „dc\_0“ eingeblendet. Wenn diese Anzeige erlischt, ist das Messgerät betriebsbereit. Wenn mehr als 5 A gemessen werden, ist dieser Modus deaktiviert. Das Messgerät gibt drei Signaltöne ab, um darauf aufmerksam zu machen.*

### Nur für CM-960, CMH-600 und CMI-600

- **PEAK-RMS (SPITZEN-EFFEKTIVWERT):** Die Taste **PEAK-RMS (SPITZEN-EFFEKTIVWERT)** eine Sekunde lang drücken, um den PEAK-RMS-Modus zur Erfassung des Spitzenstroms bzw. der Spitzenspannung ab 80 ms Dauer zu aktivieren. **P-RMS** wird auf der Anzeige eingeblendet. Die Taste eine Sekunde lang drücken, um den Modus PEAK-RMS (SPITZEN-EFFEKTIVWERT) zu verlassen. Die Abschaltautomatik (APO) ist in diesem Modus automatisch deaktiviert.

## Einsatz der Funktionen (Fortsetzung)

### Nur für CMH-600 und CMI-600

- **Ⓜ** und **Ⓡ**: Falls gewünscht, die Taste **REC** (AUFZEICHNUNG) gedrückt halten und dabei das Messgerät einschalten, um das akustische Signal zu aktivieren. Wenn die Segmente eine Drehung im Uhrzeigersinn anzeigen, ertönt ein einzelner langer Signalton pro Segmentzyklus. Wenn die Segmente eine Bewegung entgegen dem Uhrzeigersinn anzeigen, ertönen drei kurze Signaltöne pro Segmentzyklus.
  - **Ⓜ**: Sicherstellen, dass der Motor von seiner Stromversorgung elektrisch isoliert ist. Die Taste **SELECT** (AUSWÄHLEN) kurz drücken, um die Motorfunktion auszuwählen. Das Messgerät entsprechend den Anweisungen in der „Tabelle der Einstellungen“ in diesem Handbuch an den Motor anlegen. Den Motor im Uhrzeigersinn drehen (Blickrichtung entlang der Motorwelle). Wenn das Messgerät eine Drehung im Uhrzeigersinn anzeigt, sind die an L1, L2 und L3 des Messgeräts angeschlossenen Motorleitungen T1, T2 bzw. T3. Wenn das Messgerät eine Drehung entgegen dem Uhrzeigersinn anzeigt, zwei beliebige Anschlüsse zwischen Messgerät und Motor vertauschen und erneut prüfen.
  - **Ⓡ**: Die Taste **SELECT** (AUSWÄHLEN) kurz drücken, um die Drehfeldfunktion auszuwählen. Das Messgerät entsprechend den Anweisungen in der „Tabelle der Einstellungen“ in diesem Handbuch an die Phasen anlegen. Wenn das Messgerät eine Drehung im Uhrzeigersinn anzeigt, sind die an L1, L2 und L3 des Messgeräts angeschlossenen Phasen L1, L2 bzw. L3. Wenn das Messgerät eine Drehung entgegen dem Uhrzeigersinn anzeigt, zwei beliebige Anschlüsse zwischen Messgerät und Phasen vertauschen und erneut prüfen.

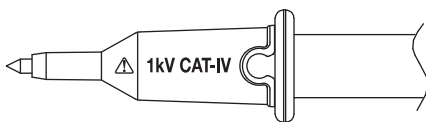
## Verwendung der Messleitungen

### **⚠** WARNUNG

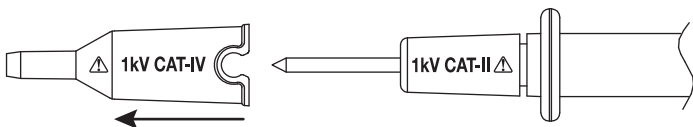
#### Stromschlaggefahr:

Die im Lieferumfang dieses Produkts enthaltenen Messleitungen entsprechen den Sicherheitsstandards, die die freiliegende Länge der Sondenspitze für die Messkategorien III und IV auf 4 mm beschränken. Zu diesen Messleitungen gehört eine Kappe, die für Anwendungen der Messkategorie III bzw. IV aufgesetzt sein muss.

Das Nichtbeachten dieser Warnung kann zu schweren oder tödlichen Verletzungen führen.



**Für Anwendungen der Messkategorie III oder IV muss die Kappe aufgesetzt sein.**



**Für Anwendungen der Messkategorie I oder II kann sie jedoch abgenommen werden.**

## Wechselstrommessung


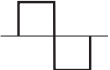


Wechselstrommessungen werden normalerweise als Effektivwerte (RMS, quadratischer Mittelwert) angezeigt. Der Effektivwert entspricht dem Wert einer Gleichstromwellenform, die dieselbe Stromleistung liefern würde, als wenn sie die zeitlich-veränderliche Wellenform ersetzen würde. Die beiden Wechselstrommessmethoden sind: den Mittelwert ermittelnde, auf den Effektivwert kalibrierte Messung und Echteffektivwert-Messung.

Bei der Methode „den Mittelwert ermittelnde, auf den Effektivwert kalibrierte Messung“ wird der Mittelwert des Eingangssignals nach kompletter Gleichrichtung der Wellen mit 1,11 multipliziert und das Ergebnis angezeigt. Diese Methode ist genau, wenn es sich bei dem Eingangssignal um eine reine Sinuswelle handelt.

Bei der Echteffektivwertmessmethode kommt zum Ablesen des echten Effektivwerts ein innerer Schaltkreis zum Einsatz. Diese Methode ist im Rahmen der angegebenen Crestfaktor-Beschränkungen genau, gleich, ob es sich bei dem Eingangssignal um eine reine Sinus-, Rechteck-, Dreieck- oder Halbwellen bzw. ein Signal mit Oberschwingungen handelt. Die Möglichkeit, den Echteffektivwert abzulesen, bietet vielseitigere Messmöglichkeiten. Bei den Modellen CM-660, CM-860, CM-960, CMH-600 und CMI-600 von Greenlee handelt es sich um Echteffektivwert-Messgeräte.

In der Tabelle „Wellenformen und Crestfaktoren“ sind einige typische Wechselstromsignale und deren Effektivwerte angegeben.

### Wellenformen und Crestfaktoren

<b>Wellenform</b>				
<b>Effektivwert</b>	100	100	100	100
<b>Durchschnittswert</b>	90	100	87	64
<b>Crestfaktor*</b> ( $\xi$ )	1,414	1	1,73	2

\* Bei dem Crestfaktor handelt es sich um das Verhältnis des Spitzenwertes (auch Scheitelwertes) zum Effektivwert und wird durch den griechischen Buchstaben  $\xi$  dargestellt.

## AC + DC Echteffektivwert

Mit AC + DC Echteffektivwert werden die beiden Wechselstrom- und Gleichstromkomponenten bei der Messung mithilfe der folgenden Formel bestimmt:

$$\sqrt{(AC\ rms)^2 + DC^2}$$

Das Gerät reagiert ungeachtet der Wellenform fehlerfrei auf den gesamten Effektivwert. Verzerrte Wellenformen mit vorhandenen DC-Komponenten und Oberschwingungen können Folgendes verursachen:


- Überhitzung von Transformatoren, Generatoren und Motoren
- Frühzeitige Auslösung von Schutzschaltern
- Durchbrennen von Sicherungen
- Überhitzung von Nullleitern aufgrund von auf dem Nullleiter vorhandenen harmonischen Triplen
- Vibration der Stromschiene und der Elektroschalttafeln

Die Modelle CM-960 und CMI-600 können so eingestellt werden, dass sie entweder den AC-Echteffektivwert oder AC- + DC-Echteffektivwert anzeigen.

## AC-Bandbreite

Bei der AC-Bandbreite handelt es sich um den Frequenzbereich, in dem AC-Messungen mit der angegebenen Genauigkeit vorgenommen werden können. Es ist die Frequenzreaktion der AC-Funktionen – nicht die der Frequenzmessungsfunktionen. Ein Messgerät kann den AC-Wert mit Frequenzspektren außerhalb seiner Bandbreite nicht genau bestimmen. Komplexe Wellenformen, Rauschen und verzerrte Wellenformen enthalten Frequenzkomponenten, die sehr viel höher sind als die Fundamentalschwingung. Beispiel: hochfrequentes Rauschen auf einer 50/60 Hz-Freileitung.

## Betrieb

	<b>⚠️ WARNUNG</b>
	Stromschlaggefahr: Das Berühren von Stromkreisen kann zu schweren Verletzungen oder zum Tod führen.

## Bedienungsanweisung

1. Siehe „Tabelle der Einstellungen“. Den Wahlschalter auf die richtige Einstellung drehen, (bei Aufforderung) **SELECT** (AUSWÄHLEN) drücken und dann die Messleitungen am Messgerät anschließen.
2. Siehe „Typische Messungen“ für spezifische Messanleitungen.
3. Das Gerät an einem funktionierenden Stromkreis oder einer funktionsfähigen Komponente testen.
  - Wenn das Messgerät an einem funktionierenden Stromkreis nicht wie erwartet funktioniert, die Batterien austauschen.
  - Wenn das Messgerät anschließend immer noch nicht wie erwartet funktioniert, unter der Rufnummer +1-815-397-7070 Kontakt mit dem technischen Kundendienst von Greenlee aufnehmen.
4. Den Messwert von dem zu testenden Stromkreis oder der zu testenden Komponente ablesen.

## Betrieb (Fortsetzung)

Tabelle der Einstellungen

Zur Messung von ...	den Wahlschalter auf dieses Symbol stellen ...	Diese Symbole erscheinen dann in der Anzeige ...	Die rote Messleitung anschließen an ...	Die schwarze Messleitung anschließen an ...
<b>ALLE MODELLE</b>				
Spannung (AC)		$V \sim$	+	COM
Spannung (DC)		$V \equiv$	+	COM
Strom, AmpTip™ (AC)		$A \sim$	nicht zutr.	nicht zutr.
Strom (AC)		$A \sim$	nicht zutr.	nicht zutr.
Durchgang		$\cdot \gg \Omega$	+	COM
Widerstand	$\Omega$	$k\Omega$	+	COM
Diode		$V \rightarrow  $	+	COM
Frequenz	<b>Hz</b>	<b>Hz</b>	+	COM
Elektrisches Feld (EF)*	<b>EF</b>	<b>EF</b>	nicht zutr.	COM
<b>Nur für CM-860, CM-960, CMH-600 und CMI-600</b>				
Kapazität**		$\mu F$	+	COM
<b>Nur für CM-960 und CMI-600</b>				
Spannung (AC + DC)		$V \sim \bar{\quad}$	+	COM
Strom, AmpTip™ (DC)		$A \equiv$	nicht zutr.	nicht zutr.
Strom, AmpTip™ (AC + DC)		$A \sim \bar{\quad}$	nicht zutr.	nicht zutr.
Strom (DC)		$A \equiv$	nicht zutr.	nicht zutr.
Strom (AC + DC)		$A \sim \bar{\quad}$	nicht zutr.	nicht zutr.
<b>Nur für CMH-600 und CMI-600</b>				
Temperatur	<b>Temp</b>	<b>C</b> oder <b>F</b>	***	
Strom ( $\mu A$ DC)		$\mu A \equiv$	+	COM
Drehfeld†			+	COM
Motordrehung†			+	COM

\* Die Oberseite der stationären Zangenbacke verwenden oder, für noch genauere Messungen, eine Sonde im COM-Anschluss.

\*\* Den Kondensator vor der Messung entladen. Weitere Informationen zu polarisierten Kondensatoren sind unter „Typische Messungen“ zu finden.

\*\*\* Thermoelement + wird an + angeschlossen, Thermoelement – wird an COM angeschlossen.

† Die gelbe Leitung wird an L3 angeschlossen.

## Typische Messungen und Messgenauigkeit

Informationen zu den Betriebsbedingungen und zum Temperaturkoeffizienten sind im Abschnitt „Technische Daten“ zu finden.

Die Messgenauigkeit ist wie folgt angegeben:  $\pm$  (ein Prozentsatz des Messwerts + ein fester Betrag) bei  $23\text{ }^{\circ}\text{C} \pm 5\text{ }^{\circ}\text{C}$  ( $73,4\text{ }^{\circ}\text{F} \pm 9\text{ }^{\circ}\text{F}$ ).

Bei nicht sinusförmigen Wellenformen muss die Frequenz innerhalb der angegebenen Bandbreite liegen. Die Crestfaktoren sind, falls nicht anders angegeben, wie folgt:

- Crestfaktor < 2,5:1 bei Maßstab 1:1
- Crestfaktor < 5,0:1 bei Maßstab 1:2

### Frequenz

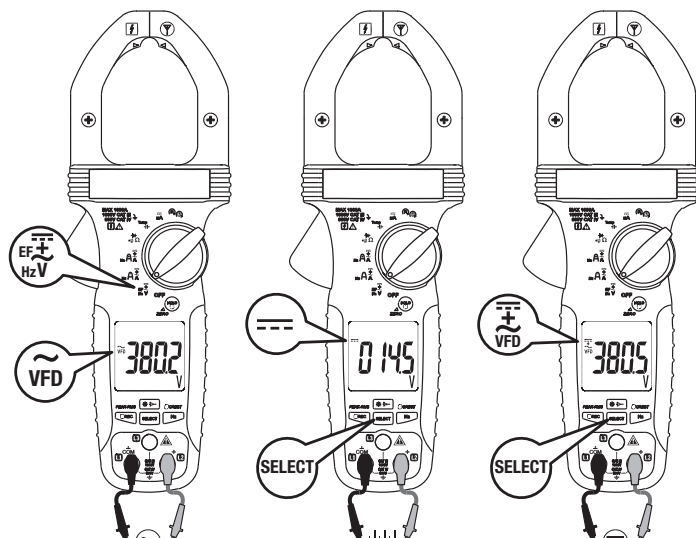
Funktion	Empfindlichkeit (Sinussignal-Effektivwert)*	Bereich
600 V	50 V	5,00 Hz ~ 999,9 Hz
60,0 A AmpTip™	40 A	50,00 Hz ~ 400,0 Hz
60,00 A, 600,0 A	40 A	50,00 Hz ~ 400,0 Hz

\* Die DC-Vorspannung muss <50 % des Sinussignal-Effektivwerts sein.

### Genauigkeit des Frequenzbereichs

Anzeigebereich	Messgenauigkeit
XX.XX	$\pm (1,0\% + 0,05\text{ Hz})$
XXX.X	$\pm (1,0\% + 0,5\text{ Hz})$

### Spannungsmessung



### Wechselspannung

Bereich	Messgenauigkeit bei 50 Hz bis 60 Hz
600,0	$\pm (1,0\% + 0,5\text{ V})$

### Gleichspannung

Bereich	Messgenauigkeit
600,0	$\pm (1,0\% + 0,5\text{ V})$

### Wechsel- und Gleichspannung (nur für CM-960 und CMI-600)

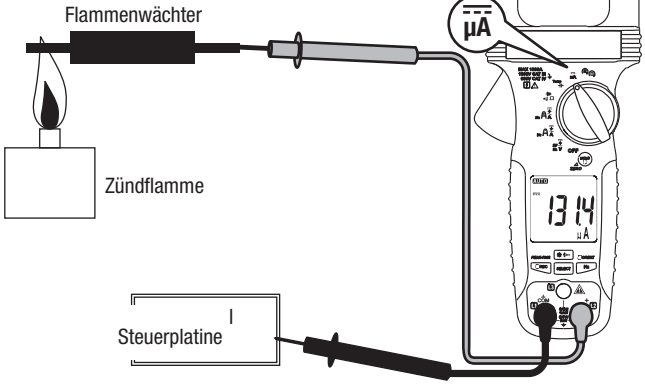
Bereich	Messgenauigkeit bei Gleichspannung, 50 Hz bis 60 Hz
600,0	$\pm (1,2\% + 0,7\text{ V})$

Eingangsimpedanz: 10 M $\Omega$ , 100 pF nominal

# Typische Messungen und Messgenauigkeit (Fortsetzung)

## Strommessung

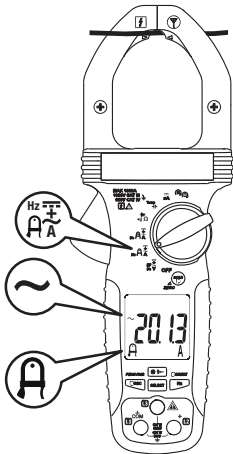
DC  $\mu$ A



$\mu$ DC Strom (nur für CMH-600 und CMI-600)

Bereich	Messgenauigkeit	Bürdenspannung
200,0 $\mu$ A	$\pm (1,0\% + 0,5 \mu\text{A})$	3,5 mV/ $\mu$ A
2000 $\mu$ A	$\pm (1,0\% + 5 \mu\text{A})$	

## AmpTip™ Funktion



## AmpTip™ Wechselstrom

Bereich	Messgenauigkeitsbereich	Messgenauigkeit bei 50 Hz bis 60 Hz**
60,00 A	< 0,20 A*	Nicht angegeben
	0,00 A bis 3,99 A	$\pm (1,5\% + 0,15 \text{ A})$
	4,00 A bis 60,00 A	$\pm (1,5\% + 0,05 \text{ A})$

\* Nur für CM-660, CM-860 und CMH-600.

\*\* Nur für CM-960 und CMI-600: Der Induktionsfehler für benachbarte stromführende Leiter ist <0,01 A/A.

## AmpTip™ Gleichstrom

(nur für CM-960 und CMI-600)

Bereich	Messgenauigkeitsbereich	Messgenauigkeit†
60,00 A	0,00 A bis 3,99 A	$\pm (2,0\% + 0,15 \text{ A})$
	4,00 A bis 60,00 A	$\pm (2,0\% + 0,05 \text{ A})$

## AmpTip™ Gleich- und Wechselstrom

(nur für CM-960 und CMI-600)

Bereich	Messgenauigkeitsbereich	Messgenauigkeit bei Gleichspannung, 50 Hz bis 60 Hz†
60,00 A	0,00 A bis 3,99 A	$\pm (2,0\% + 0,17 \text{ A})$
	4,00 A bis 60,00 A	$\pm (2,0\% + 0,07 \text{ A})$

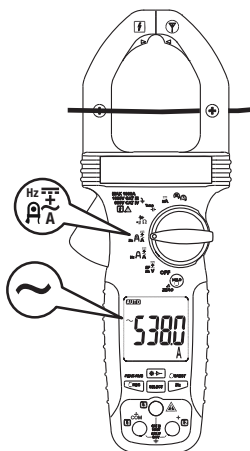
† Der Induktionsfehler für benachbarte stromführende Leiter ist <0,01 A/A.

Hinweis:  $\Delta$  drücken, falls vor der Messung ein Wert angezeigt wird, der dann als Offset-Wert abgezogen wird.

## Typische Messungen und Messgenauigkeit (Fortsetzung)

### Strommessung (Fortsetzung)

#### Zange für Wechsel- und Gleichstrom



#### Wechselstrom (nur für CM-960 und CMI-600)

Bereich	Messgenauigkeitsbereich	Messgenauigkeit bei 50 Hz bis 100 Hz*†	Messgenauigkeit bei 100 Hz bis 400 Hz*†
60,00 A	0,00 A bis 8,99 A	$\pm (1,8\% + 0,15 \text{ A})$	$\pm (2,0\% + 0,15 \text{ A})$
	9,00 A bis 60,00 A	$\pm (1,8\% + 0,05 \text{ A})$	$\pm (2,0\% + 0,05 \text{ A})$
600,0 A	60,0 A bis 600,0 A	$\pm (1,8\% + 0,5 \text{ A})$	$\pm (2,0\% + 0,5 \text{ A})$

\* Maximaler Crestfaktor <2:1 bei Maßstab 1:1 und <4:1 bei Maßstab 1:2.

#### Wechselstrom (nur für CM-660, CM-860 und CMH-600)

Bereich	Messgenauigkeitsbereich	Messgenauigkeit bei 50 Hz bis 100 Hz*†	Messgenauigkeit bei 100 Hz bis 400 Hz*†
60,00 A	0,00 A bis 0,19 A	Nicht angegeben	Nicht angegeben
	0,20 A bis 5,99 A	$\pm (1,8\% + 0,15 \text{ A})$	$\pm (2,0\% + 0,15 \text{ A})$
	6,00 A bis 60,00 A	$\pm (1,8\% + 0,05 \text{ A})$	$\pm (2,0\% + 0,05 \text{ A})$
600,0 A	60,0 A bis 600,0 A	$\pm (1,8\% + 0,5 \text{ A})$	$\pm (2,0\% + 0,5 \text{ A})$

\* Bei allen Messungen, bei denen der Leiter nicht mittig in der Zange positioniert ist, müssen 2,0 % aufgrund des Positionsfehlers zur Toleranz addiert werden.

#### Gleichstrom (nur für CM-960 und CMI-600)

Bereich	Messgenauigkeitsbereich	Messgenauigkeit†
60,00 A	0,00 A bis 8,99 A	$\pm (2,0\% + 0,15 \text{ A})$
	9,00 A bis 60,00 A	$\pm (2,0\% + 0,05 \text{ A})$
600,0 A	60,0 A bis 600,0 A	$\pm (2,0\% + 0,5 \text{ A})$

#### Wechsel- und Gleichstrom (nur für CM-960 und CMI-600)

Bereich	Messgenauigkeitsbereich	Messgenauigkeit bei 50 Hz bis 100 Hz†	Messgenauigkeit bei 100 Hz bis 400 Hz†
60,00 A	0,00 A bis 8,99 A	$\pm (2,2\% + 0,15 \text{ A})$	$\pm (2,7\% + 0,17 \text{ A})$
	9,00 A bis 60,00 A	$\pm (2,2\% + 0,05 \text{ A})$	$\pm (2,7\% + 0,07 \text{ A})$
600,0 A	60,0 A bis 600,0 A	$\pm (2,2\% + 0,5 \text{ A})$	$\pm (2,7\% + 0,7 \text{ A})$

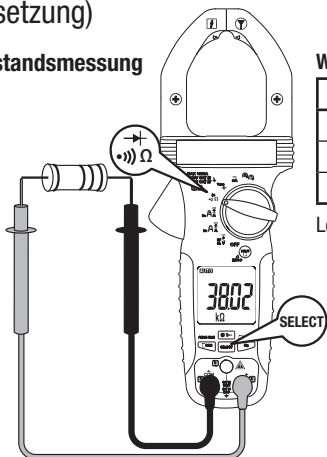
† Der Induktionsfehler für benachbarte stromführende Leiter ist <0,01 A/A.

Hinweis:  $\Delta$  drücken, falls vor der Messung ein Wert angezeigt wird, der dann als Offset-Wert abgezogen wird.



## Typische Messungen und Messgenauigkeit (Fortsetzung)

### Widerstandsmessung



### Widerstand

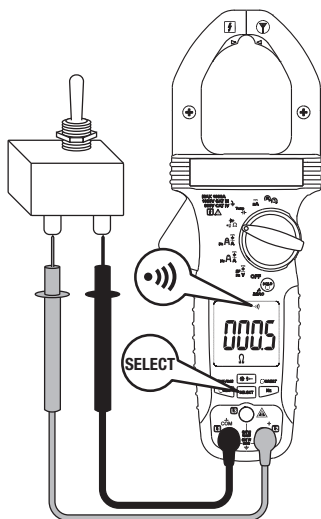
Bereich	Messgenauigkeit
600,0 Ω	± (1,0% + 0,5 Ω)
6,000 kΩ	± (1,0% + 0,005 kΩ)
60,00 kΩ	± (1,0% + 0,05 kΩ)

Leerlaufspannung: 1,0 V DC

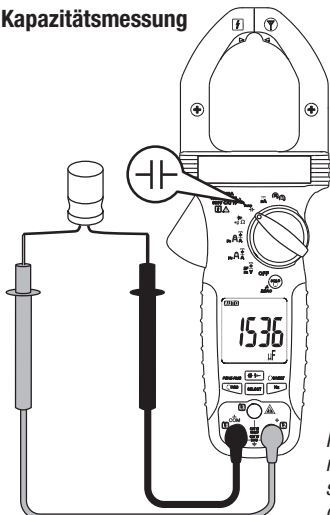
### Durchgangsprüfung

#### Durchgang

Signal-Schwellenwert:  
Zwischen 10 Ω und 250 Ω  
Anspruchzeit: ca. 32 ms



### Kapazitätsmessung



### Kapazität (nur für CM-860, CM-960, CMH-600 und CMI-600)

Bereich	Messgenauigkeit*
200,0 μF	± (2,0% + 0,4 μF)
2500 μF	± (2,0% + 4 μF)

\* Für Schichtkondensatoren  
(Kondensatoren mit vernachlässigbarer  
dielektrischer Absorption)

*Hinweis: Bei polarisierten Kondensatoren die rote Sonde an den positiven Anschluss und die schwarze Sonde an den negativen Anschluss des Kondensators anschließen.*

## Typische Messungen und Messgenauigkeit (Fortsetzung)

### Diodenmessung

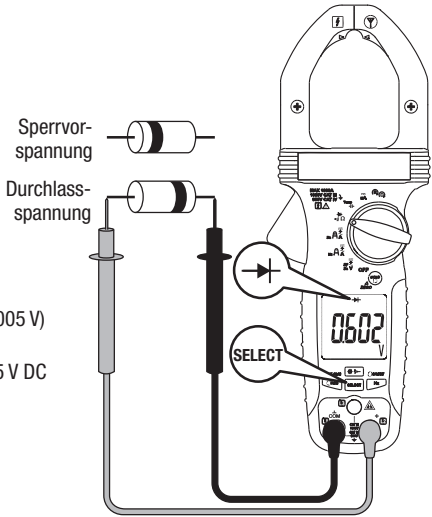
#### Diodentest

Messbereich: 2000 V

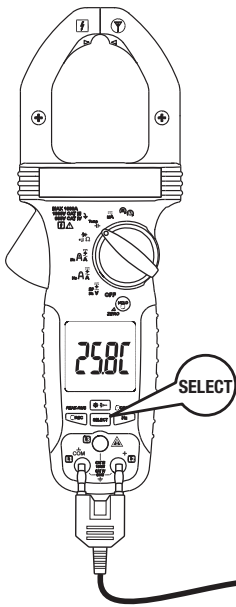
Messgenauigkeit:  $\pm (1,5 \% + 0,005 \text{ V})$

Prüfstrom (typisch): 0,3 mA

Leerlaufspannung (typisch):  $< 3,5 \text{ V DC}$



### Temperatur



#### Temperatur (nur für CMH-600 und CMI-600)

Bereich	Messgenauigkeit*
-40,0 °C ~ 99,9 °C	$\pm (1,0\% + 0,8 \text{ °C})$
100 °C ~ 400 °C	$\pm (1,0\% + 1 \text{ °C})$
-40,0 °F ~ 211,8 °F	$\pm (1,0\% + 1,5 \text{ °F})$
212 °F ~ 752 °F	$\pm (1,0\% + 2 \text{ °F})$

\* Messgenauigkeit des Thermoelements vom Typ K nicht aufgeführt. Das im Lieferumfang des Messgeräts enthaltene Thermoelement entspricht der Norm JIS C 1602 1981.

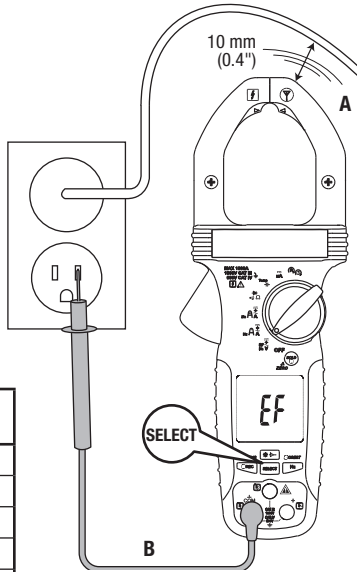
# Typische Messungen und Messgenauigkeit (Fortsetzung)

## Elektrisches Feld

*Hinweis: CM-660 und CM-860 haben eine dedizierte Schalterposition.*

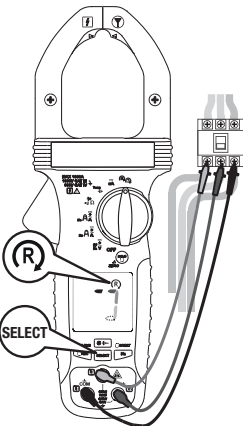
### Berührungsloser Nachweis eines elektrischen Feldes (EF)

Typische Spannung	Bereich bei 50 Hz bis 60 Hz	LCD-Anzeige
20 V	10 V ~ 36 V	-
55 V	23 V ~ 83 V	--
110 V	59 V ~ 165 V	---
220 V	124 V ~ 330 V	----
440 V	250 V ~ 600 V	-----



A – Kontaktlos **ODER**  
B – Kontakt, Präzisionsmessung

## Drehfeld



Clockwise

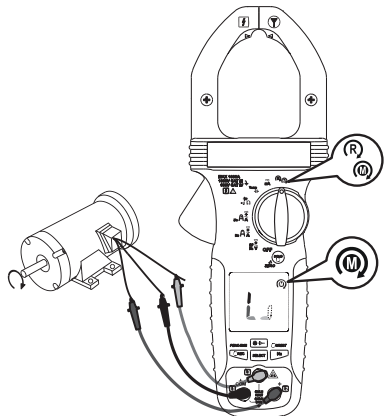


Counterclockwise

Im Uhrzeigersinn

Entgegen dem Uhrzeigersinn

## Motordrehung



## Technische Daten

Anzeige: LCD, 3 5/6 Stellen mit maximal 6000 Punkten

Polarität: Automatisch

Aktualisierungsrate: 5 pro Sekunde, Nennwert

Betriebsbedingungen:

0 °C bis 31 (32 °F bis 88 °F), 0 % bis 80 % relative Luftfeuchtigkeit

31 °C bis 40 (88°F bis 104,00 °F), relative Luftfeuchtigkeit verringert sich linear von 80 % auf 50 %

Verschmutzungsgrad: 2

Nur in Innenräumen verwenden

Höhe über NN: Betrieb unterhalb 2000 m (6500 ft)

Lagertemperatur: -20 °C bis 60 °C, relative Luftfeuchtigkeit <80 %, mit entnommenen Batterien

Temperaturkoeffizient: Nennwert 0,15 x (Genauigkeit) pro Grad C unter 18 °C von 0 °C bis 18 °C (32 °F bis 64,4 °F) und über 18 °C von 18 °C bis 40 (82,4 °F bis 104 °F) oder anderweitig angegeben

Messung: Echteffektivwert

EMV:

Entspricht EN61326-1:2006 (EN55022, EN61000-3-2, EN61000-3-3, EN61000-4-2, EN61000-4-3, EN61000-4-4, EN61000-4-5, EN61000-4-6, EN61000-4-8, EN61000-4-11)

In einem RF-Feld von 1 V/m bei Frequenzen von 405 MHz,

Modi DCA und DC+AC A (CM-960 und CMI-960):

Messgenauigkeit gesamt: angegebene Genauigkeit +20 Stellen

In einem RF-Feld von 1 V/m, Widerstandsmodi (alle Modelle) und Modus DC  $\mu$ A (CMH-600 und CMI-600):

Messgenauigkeit gesamt: angegebene Genauigkeit +25 Stellen

In einem RF-Feld von 3 V/m, alle anderen Modi sowie oben nicht angegebenen Modelle: Messgenauigkeit gesamt: angegebene Genauigkeit +20 Stellen

Sicherheitsvorkehrungen: Doppelisolierung gemäß UL/IEC/EN61010-1 Version 3, IEC/EN61010-2-033 Version 1, CAN/CSA C22.2 Nr. 61010-1 Version 3, IEC/EN61010-2-032 Version 2 und IEC/EN61010-031 Version 1.1 nach CAT III 600V und CAT IV 300V AC und DC

Überlastschutz:

Zange:

Strom- mit Frequenzfunktion: 600 A DC/AC Effektivwert bei  $\leq$ 400 Hz

Eingänge:

Spannungs- und Drehfeld-Funktion: 660 V DC/920 V AC Effektivwert

Alle anderen Modi und Funktionen: 600 V DC/AC Effektivwert

Stoßspannungsschutz: 6,0 kV (Stoßspannung von 1,2/50  $\mu$ s)

Stromversorgung: Zwei 1,5-V-AAA-Batterien (NEDA 24A oder IEC LR03)

Niedriger Batteriestand:

Kapazitäts- und Frequenzfunktion: Ca. 2,85 V

Alle anderen Funktionen: Ca. 2,5 V

Stromaufnahme:

CM-960 und CMI-600: Normalerweise 13 mA

CM-660, CM-860 und CMH-600: Normalerweise 4,3 mA

Wartezeit für Abschaltautomatik (APO): 32 Minuten Inaktivität

APO-Stromaufnahme: 5  $\mu$ A typischer Wert

Abmessungen:

CM-960 und CMI-600: 222 mm x 76 mm x 37 mm (8,7" x 3,0" x 1,4")

CM-660, CM-860 und CMH-600: 217 mm x 76 mm x 37 mm (8,5" x 3,0" x 1,4")

Zangenöffnung und Leiterdurchmesser: Max. 30 mm (1,18")

## Messkategorien

Diese Definitionen stammen aus den internationalen Sicherheitsnormen für Isolierungen – abgestimmt auf die Anwendbarkeit bei Mess-, Steuer- und Laborgeräten. Genauere Beschreibungen dieser Messkategorien sind in den beiden folgenden Veröffentlichungen der International Electrotechnical Commission zu finden: IEC 61010-1 oder IEC 60664.

### Messkategorie II

Lokalebene. Haushaltgeräte, tragbare Geräte und die Stromnetze, an denen sie angeschlossen sind. Dazu gehören beispielsweise Lampen, Fernsehgeräte und lange Abzweigkreise.

### Messkategorie III

Verteilungsebene. Fest installierte Maschinen und die Netze, an denen sie fest angeschlossen sind. Dazu gehören beispielsweise Förderanlagen und die Hauptstromunterbrechungs-Schalttafeln der elektrischen Anlage eines Gebäudes.

### Messkategorie IV

Primärversorgungsebene. Freileitungen und andere Kabelsysteme. Dazu gehören beispielsweise Kabel, Elektrizitätszähler, Transformatoren und sonstige Anlagen im Freien, die der Stromversorgungsgesellschaft gehören.

## Konformitätserklärung

Greenlee Tools, Inc. ist für seine Qualitätsverwaltungssysteme gemäß ISO 9001:2008 zertifiziert.

Das gelieferte Gerät wurde mit Betriebsmitteln überprüft bzw. kalibriert, die zum National Institute for Standards and Technology (NIST) rückführbar sind.

## Wartung

### **⚠️ WARNUNG**

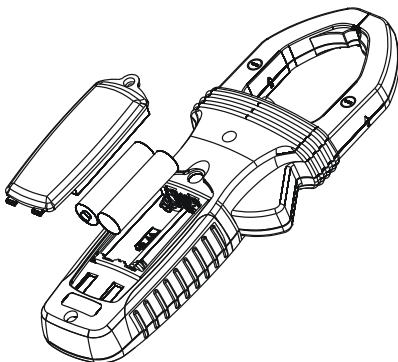
Stromschlaggefahr:

Vor dem Öffnen des Gehäuses die Messleitungen vom Stromkreis entfernen und das Gerät ausschalten.

Das Nichtbeachten dieser Warnung könnte zu schweren oder tödlichen Verletzungen führen.

### **Auswechseln der Batterien**

1. Das Gerät vom Netz trennen.  
Das Gerät **AUSSCHALTEN**.
2. Die beiden Schrauben aus dem Batteriefachdeckel herausdrehen und den Deckel abnehmen.
3. Beim Auswechseln der Batterien die Polarität der Batterien beachten.



### **Reinigen und Lagerung**

Das Gehäuse regelmäßig mit einem feuchten Tuch und einem milden Reinigungsmittel abwischen. Keine Scheuer- oder Lösungsmittel verwenden.

Soll das Messgerät länger als 60 Tage nicht verwendet werden, die Batterien herausnehmen und getrennt vom Gerät aufbewahren.

### Lifetime Limited Warranty

Greenlee Tools, Inc. warrants to the original purchaser of these goods for use that these products will be free from defects in workmanship and material for their useful life, excepting normal wear and abuse. This warranty is subject to the same terms and conditions contained in Greenlee Tools, Inc.'s standard one-year limited warranty.

For all Test Instrument repairs, contact Customer Service at 800-435-0786 and request a Return Authorization.

For items not covered under warranty (such as items dropped, abused, etc.), a repair cost quote is available upon request.

*Note: Prior to returning any test instrument, please check replaceable batteries or make sure the battery is at full charge.*

### Garantía limitada válida durante la vida útil del producto

Greenlee Tools, Inc. le garantiza al comprador original de estos bienes de uso, que los mismos estarán libres de defectos de materiales y fabricación durante su vida útil, excepto en el caso de que sean maltratados o hayan sufrido el deterioro normal. Esta garantía está sujeta a los mismos términos y condiciones de la garantía estándar limitada válida por un año, otorgada por Greenlee Tools, Inc.

Para reparaciones de todo instrumento de verificación, comuníquese con el Departamento de Servicio al Cliente al 800-435-0786 y solicite una autorización de devolución.

Puede obtener, previa solicitud, una cotización de precios de reparación para aquellos artículos que no están cubiertos bajo esta garantía (los que se han dejado caer o han sido maltratados).

*Aviso: Antes de devolver un instrumento de verificación, revise si las baterías están bajas y es necesario reemplazarlas.*

### Garantie à vie limitée

La société Greenlee Tools, Inc. garantit à l'acheteur d'origine de ces produits que ces derniers ne comportent aucun défaut d'exécution ou de matériau pour la durée de leur vie utile, sauf l'usure normale. Cette garantie est assujettie aux mêmes conditions que celles contenues dans les modalités et conditions de la garantie limitée standard d'un an de Greenlee Tools, Inc.

Pour toutes les réparations d'instruments de mesure, appeler le service après vente au 800 435-0786 et demander une autorisation de retour.

Lorsque les articles ne sont pas protégés par une garantie (comme si l'appareil tombe, s'il est soumis à un usage abusif, etc.), une soumission pour le prix de réparation sera présentée sur demande.

*Remarque : Avant de renvoyer un appareil de mesure, veuillez vérifier les piles remplaçables ou vous assurer que la batterie est complètement chargée.*

### Lebenslange beschränkte Garantie

Greenlee Tools, Inc. garantiert dem Erstkäufer dieser Produkte, dass sie unter Ausschluss von normalem Verschleiß oder Missbrauch für den Zeitraum ihrer Nutzungsdauer frei von Bearbeitungs- und Materialfehlern sind. Diese Garantie unterliegt denselben Bedingungen, die auch für die standardmäßige beschränkte Einjahresgarantie von Greenlee Tools, Inc. gelten.

Bei allen Reparaturen von Messgeräten muss eine Rücksendegenehmigung bei der Kundendienstabteilung unter +1-800-435-0786 angefordert werden.

Bei Geräten ohne Garantieschutz (z.B. heruntergefallene oder missbrauchte Produkte) kann auf Anfrage ein Kostenvoranschlag für die Reparatur erstellt werden.

*Hinweis: Bitte prüfen Sie vor dem Einsenden des Geräts die austauschbaren Batterien bzw. stellen Sie sicher, dass die Batterie vollständig geladen ist.*

**Authorized Representative:**  
**Representante Autorizado:**  
**Représentant Autorisé:**  
**Bevollmächtigter Vertreter:**

Gustav Klauke GmbH  
Auf dem Knapp 46  
42855 Remscheid  
Germany

**Register this product at [www.greenlee.com](http://www.greenlee.com)**  
**Registre este producto en [www.greenlee.com](http://www.greenlee.com)**  
**Enregistrez votre produit en ligne, [www.greenlee.com](http://www.greenlee.com)**  
**Dieses Produkt kann unter [www.greenlee.com](http://www.greenlee.com) registriert werden**



4455 Boeing Drive • Rockford, IL 61109-2988 • USA • 815-397-7070  
An ISO 9001 Company • ©2021 Greenlee Tools, Inc.

**USA**

Tel: 800-435-0786

Fax: 800-451-2632

[www.greenlee.com](http://www.greenlee.com)

**Canada**

Tel: 800-435-0786

Fax: 800-524-2853

**International**

Tel: +1-815-397-7070

Fax: +1-815-397-9247