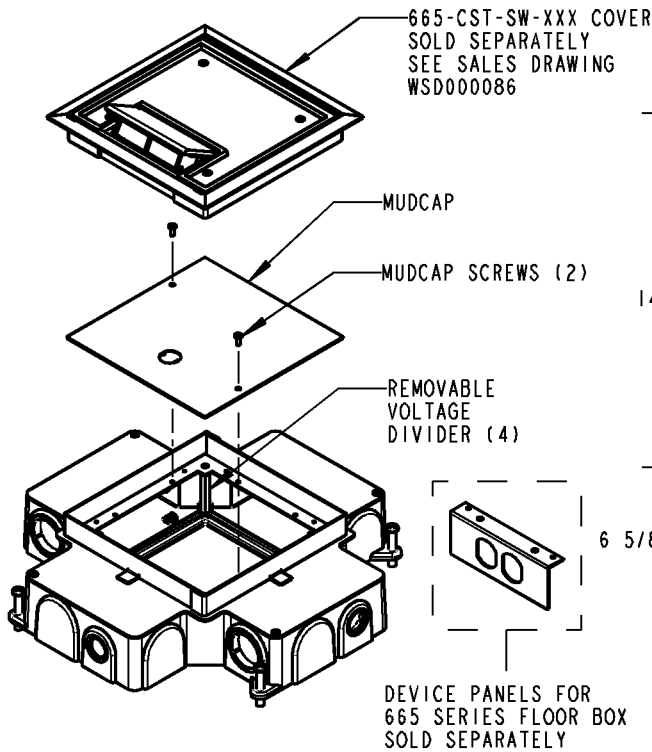
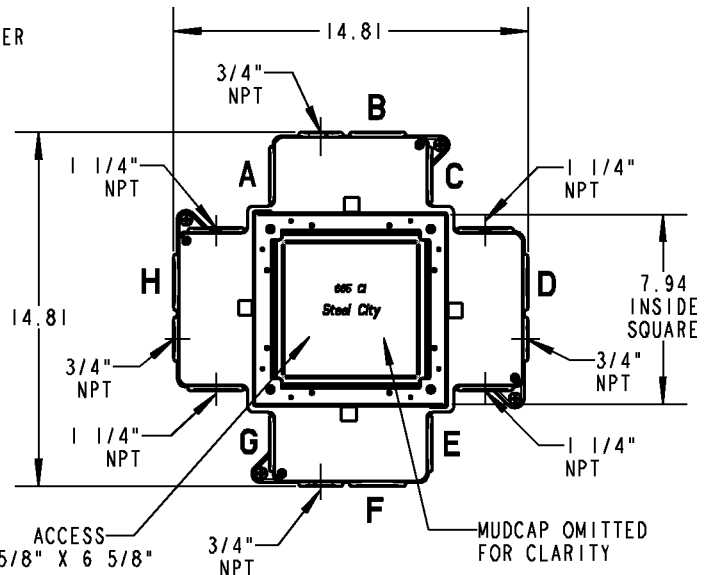


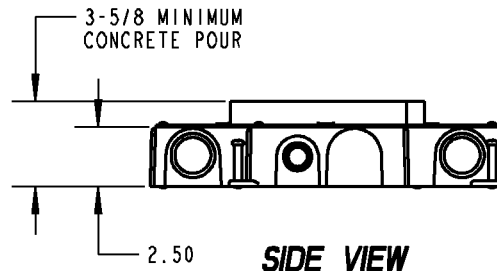
Steel City



665-CI CAST IRON FLOOR BOX



TOP VIEW



SIDE VIEW

FEATURES:

1. BOX MANUFACTURED FROM DUCTILE IRON ASTM A-536, GRADE 80-55-06.
2. OVERALL MINIMUM HEIGHT OF 3 5/8" ALLOWS FOR SHALLOW POURS WHEN NEEDED.
3. SIMILAR TO 665SC SERIES STEEL FLOOR BOX.
4. STANDARD BOX HAS (4) 3/4" NPT AND (4) 1 1/4" NPT THREADED CONDUIT OPENINGS.
5. BOX HAS (4) 45 CU. IN. COMPARTMENTS.
6. A REMOVABLE DIVIDER LOCATED IN EACH CORNER IS USED TO SEPARATE HIGH AND LOW VOLTAGE. ELECTRICAL CONDUCTORS OR DATA CABLE CAN BE ROUTED BETWEEN ADJACENT COMPARTMENTS BY REMOVING DIVIDERS AT INSIDE CORNERS.
NOTE: DIVIDERS CAN BE REMOVED AFTER CONCRETE IS POURED.
6. BOX ACCEPTS FOUR 665 SERIES DEVICE PANELS (SOLD SEPARATELY.)
7. FOUR 2" LEVELING SCREWS.

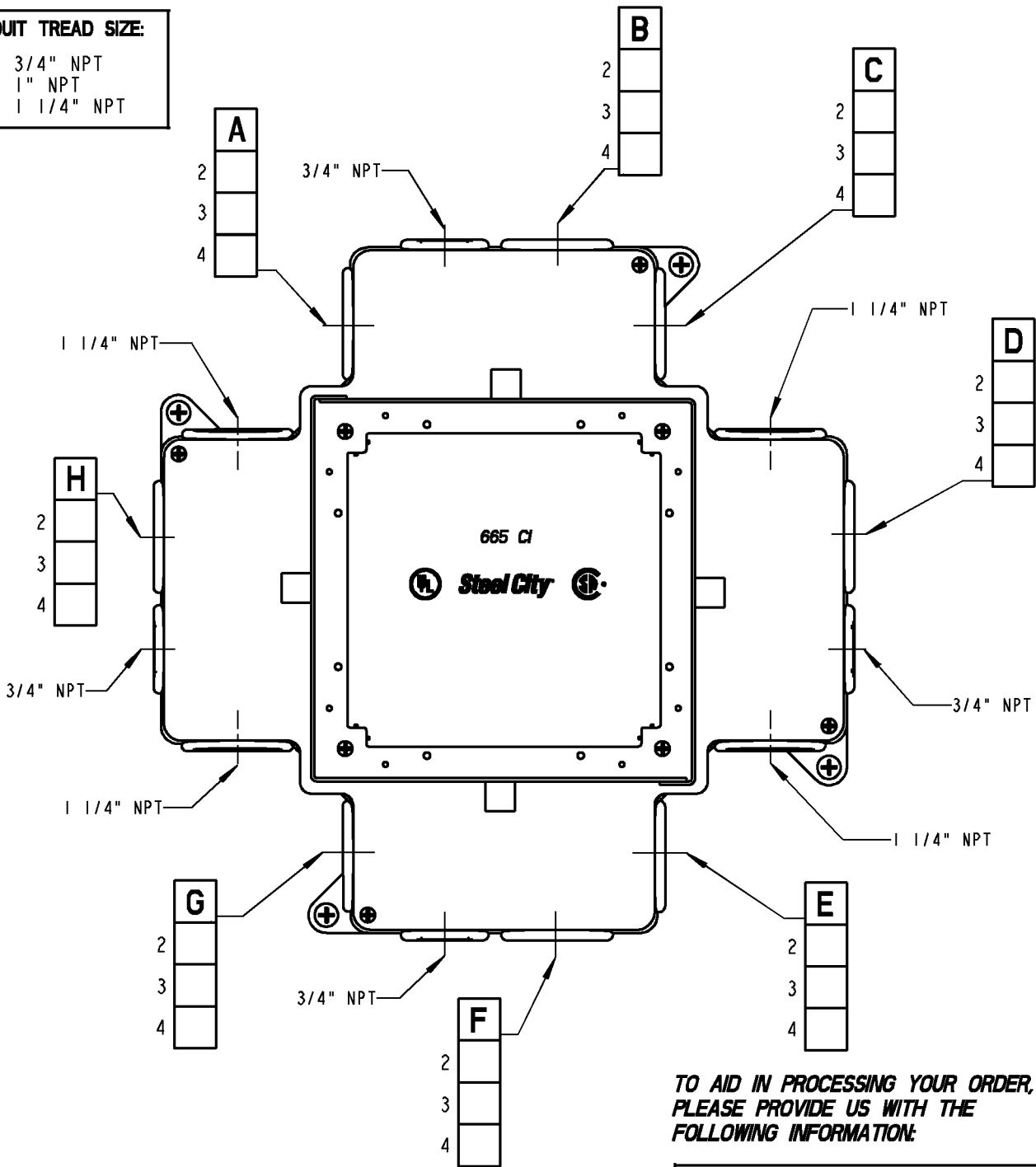
SPECIAL ORDERS:
FOR ORDERING FLOOR BOX WITH ADDITIONAL CONDUIT OPENINGS, INDICATE SIZE (3/4", 1" OR 1 1/4" NPT) AND LOCATION (A THRU H).
- SEE PAGE 2 -



GENERAL NOTES		Thomas & Betts <small>www.tnb.com</small>			
1. ALL DIMENSIONS ARE FOR REFERENCE ONLY. 2. DIMENSIONS IN BRACKETS [] ARE IN METRIC UNITS.					
REVISIONS		DESCRIPTION: 665-CI CAST IRON FLOOR BOX			
1	SEE ERN (****) FOR APPROVAL SIGNATURES & RELEASE DATE. PROJECT NO: UD55558	ORIGINAL PROJECT NO / (ERN NO) UD55558 / (200475)	SHEET NO: 1 OF 2	REV. NO: 1	DRAWING NO: WSD-000089

CONDUIT TREAD SIZE:

- 2 = 3/4" NPT
- 3 = 1" NPT
- 4 = 1 1/4" NPT



**TO AID IN PROCESSING YOUR ORDER,
PLEASE PROVIDE US WITH THE
FOLLOWING INFORMATION:**

COMPANY:	_____
CONTACT:	_____
PHONE:	_____
FAX:	_____
E-MAIL:	_____

**FOR CUSTOMER SPECIALS REQUIRING ADDITIONAL
CONDUIT OPENINGS - PLEASE INDICATE SIZE AND
LOCATION BY CHECKING THE APPROPRIATE BOX(S)
USING THE FIGURE ABOVE. FAX THIS SHEET TO:
THOMAS & BETTS
TECHNICAL SERVICES
901-252-1321.**

Thomas & Betts <small>www.tnb.com</small>		
DESCRIPTION: 665 CAST IRON FLOOR BOX		
SHEET NO: 2 OF 2	REV. NO: 1	DRAWING NO: WSD-000089