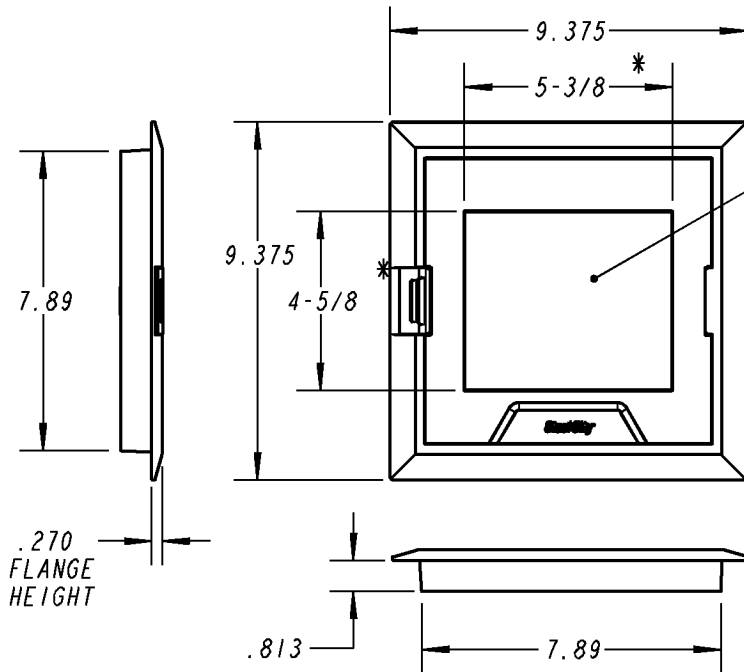




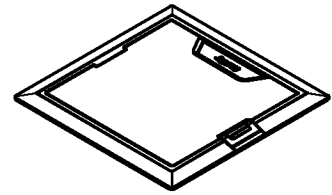
Steel City



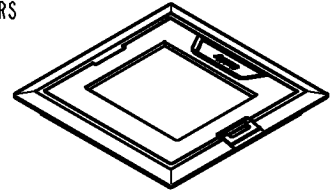
665-CST-SW SERIES METALLIC COVERS



OPTIONAL 3/16" DEEP RECESS FOR SWR SERIES COVERS



665-CST-SW-ALM
665-CST-SW-BRS



665-CST-SWR-ALM
665-CST-SWR-BRS

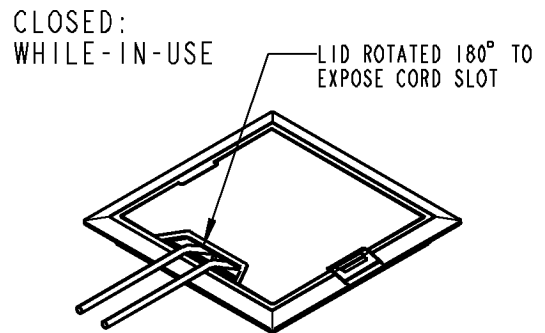
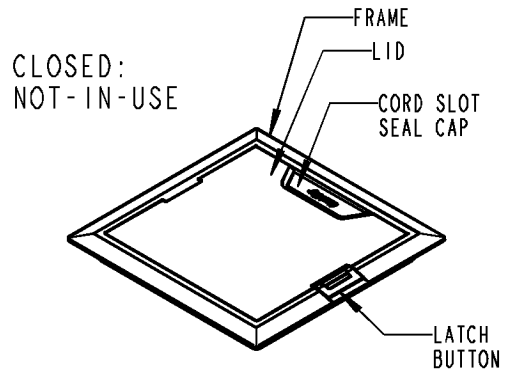
* FOR SWR SERIES LID WITH RECESS

CATALOG NUMBERS:

- 665-CST-SW-ALM (ALUMINUM)
- 665-CST-SW-BRS (BRASS)
- 665-CST-SWR-ALM (ALUMINUM WITH RECESS)
- 665-CST-SWR-BRS (BRASS WITH RECESS)

FEATURES:

- METALLIC FLOOR BOX COVER DESIGNED FOR USE WITH 665 SERIES CONCEALED FLOOR BOXES.
- MADE FROM SOLID BRASS AND ALUMINUM.
- MOPTIGHT WITH FACTORY INSTALLED GASKETS. MEETS UL SCRUB-WATER REQUIREMENTS FOR TILE, CARPET AND WOOD FLOORS.
- LID CAN BE ROTATED TO ALLOW FOR OPEN ACCESS OF CORD SLOT. LID IS ATTACHED WITH A 6-INCH INSULATED WIRE LANYARD.
- 1,500-LB MAXIMUM LOAD CAPACITY.



GENERAL NOTES

1. ALL DIMENSIONS ARE FOR REFERENCE ONLY.
2. DIMENSIONS IN BRACKETS [] ARE IN METRIC UNITS.

REVISIONS

*** SEE ERN (****) FOR APPROVAL SIGNATURES & RELEASE DATE.
PROJECT NO: ****

Thomas & Betts

www.tnb.com

DESCRIPTION:

665-CST-SW SERIES METALLIC CONCEALED SERVICE TOP

ORIGINAL PROJECT NO / (ERN NO)

UD55751 / (2010885)

SHEET NO:

1 OF 1

REV. NO:

-

DRAWING NO:

WSD-000512