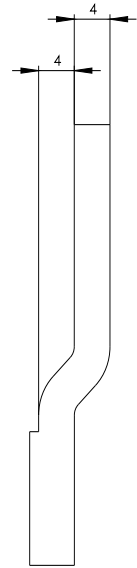
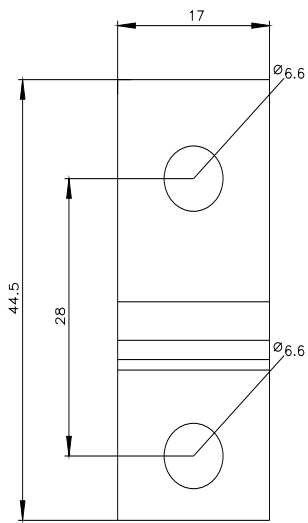




bus connector extended front 1 unit accessory for: 3VA4/5 125

Model	
product brand name	SENTRON
product designation	accessories
Product version	bus connectors
Accessories	Bus connector extended
Connections according IEC	
thickness / of the busbar / maximum	8 mm
width / of the busbar / maximum	22 mm
Connections according UL	
width / of the busbar / maximum	0.9 in
thickness / of the busbar / minimum	0.04 in
thickness / of the busbar / maximum	0.3 in
Further information	
Information- and Downloadcenter (Catalogs, Brochures,...) http://www.siemens.com/lowvoltage/catalogs	
Industry Mall (Online ordering system) https://mall.industry.siemens.com/mall/en/en/Catalog/product?mfb=3VA9131-0QB00	
Service&Support (Manuals, Certificates, Characteristics, FAQs,...) https://support.industry.siemens.com/cs/ww/en/ps/3VA9131-0QB00	
Image database (product images, 2D dimension drawings, 3D models, device circuit diagrams, ...) http://www.automation.siemens.com/bilddb/cax_en.aspx?mfb=3VA9131-0QB00	
CAX-Online-Generator http://www.siemens.com/cax	
Tender specifications http://www.siemens.com/specifications	



last modified:

8/19/2022 

